



US00D773251S

(12) **United States Design Patent**  
**Shirley**

(10) **Patent No.:** **US D773,251 S**

(45) **Date of Patent:** **\*\* Dec. 6, 2016**

- (54) **RICE DISPENSER**
- (71) Applicant: **Dart Industries Inc.**, Orlando, FL (US)
- (72) Inventor: **Nathan E. Shirley**, Orlando, FL (US)
- (73) Assignee: **Dart Industries Inc.**, Orlando, FL (US)
- (\*\*) Term: **14 Years**
- (21) Appl. No.: **29/501,928**
- (22) Filed: **Sep. 10, 2014**
- (51) **LOC (10) Cl.** ..... **07-06**
- (52) **U.S. Cl.**  
USPC ..... **D7/589**; D7/612
- (58) **Field of Classification Search**  
USPC ..... D7/629, 602, 630, 538-542, 601, 612,  
D7/613, 614, 589, 552.2, 553.1, 553.2;  
D9/415-419, 424-432  
CPC B65D 1/26; B65D 43/0206; B65D 43/0214;  
B65D 43/00; B65D 1/00; B65D 1/22; B65D  
1/32; B65D 1/14; B65D 1/24; B65D 1/34;  
B65D 3/00; B65D 3/02; B65D 3/28; B65D  
5/00; B65D 5/0085; B65D 5/009; B65D  
5/18; B65D 7/00; B65D 7/02; B65D 11/00;  
B65D 11/02; B65D 11/10; B65D 39/00;  
A47J 47/02; A47J 47/08; A47J 47/10;  
A47G 19/00; A47G 19/32; A47F 1/03  
See application file for complete search history.

(56) **References Cited**

**U.S. PATENT DOCUMENTS**

D199,505 S	*	11/1964	Swett et al.	.....	D7/612
D217,970 S	*	7/1970	Gardella et al.	.....	D24/176
4,158,427 A	*	6/1979	Hegge	.....	B65G 65/4881 222/317
D294,446 S	*	3/1988	Tardif	.....	D7/612
D311,665 S	*	10/1990	Carlson	.....	D7/622
D314,139 S	*	1/1991	Ambasz	.....	D7/312
D320,911 S	*	10/1991	Carlson	.....	D7/312
D330,485 S	*	10/1992	Daenen	.....	D7/596
D346,823 S	*	5/1994	Aiken	.....	D19/60

D351,969 S	*	11/1994	Daenen	.....	D7/603
D405,703 S	*	2/1999	Robbins, III	.....	D10/46.2
D407,974 S	*	4/1999	Zimmer	.....	D9/424
D418,068 S	*	12/1999	Robbins, III	.....	D10/46.2
D421,199 S	*	2/2000	Hashimoto	.....	D7/312
6,109,487 A	*	8/2000	Hashimoto	.....	A47J 43/27 222/109
6,220,313 B1	*	4/2001	Estlander	.....	A47F 1/03 141/311 R
D442,485 S	*	5/2001	Sumpmann	.....	D7/602
D464,884 S	*	10/2002	Sumpmann	.....	D9/432
D511,655 S	*	11/2005	Kim	.....	D7/612
D528,374 S	*	9/2006	Heiberg	.....	D7/629
D534,072 S	*	12/2006	Novos	.....	D9/431
D540,123 S	*	4/2007	George	.....	D7/602
D540,162 S	*	4/2007	Chin	.....	D9/417
D570,160 S	*	6/2008	Webster	.....	D7/589
D573,845 S	*	7/2008	Yang	.....	D7/317
D619,425 S	*	7/2010	Watkins	.....	D7/629
D644,892 S	*	9/2011	Stamper	.....	D7/629

(Continued)

*Primary Examiner* — Ian Simmons  
*Assistant Examiner* — Shannon Morgan  
(74) *Attorney, Agent, or Firm* — Taylor J. Ross

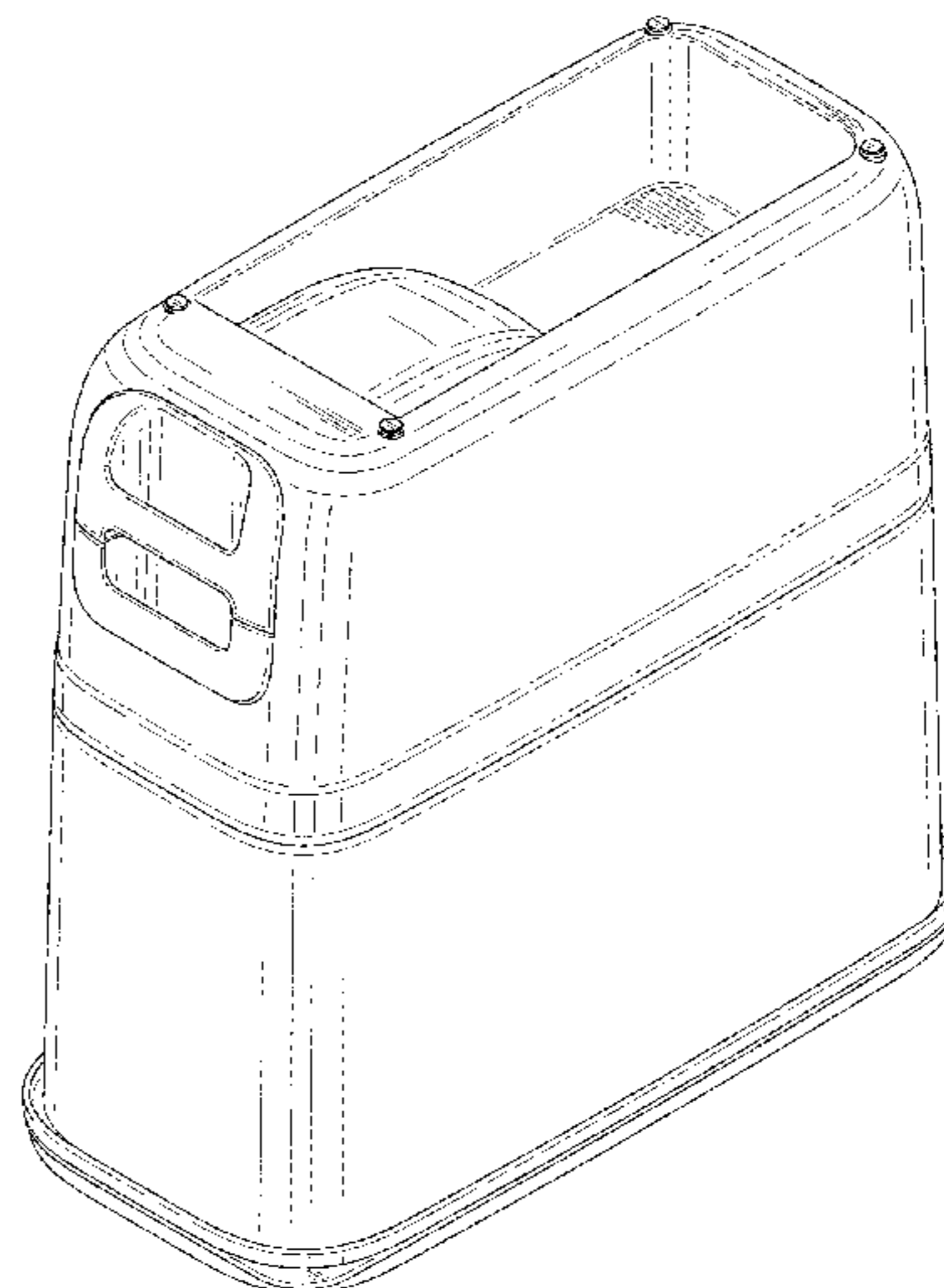
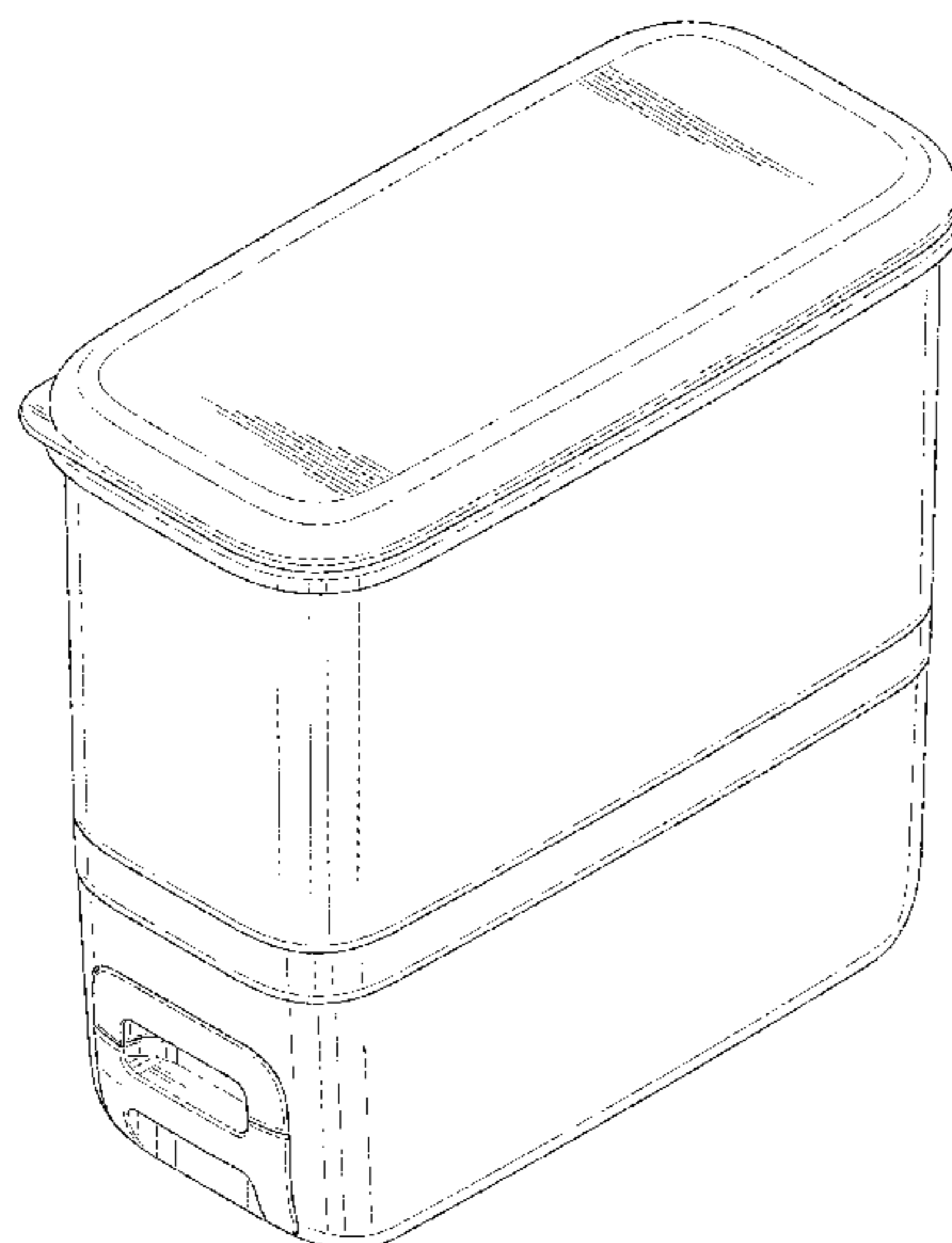
(57) **CLAIM**

The ornamental design for a rice dispenser, as shown and described.

**DESCRIPTION**

FIG. 1 is a top, front and left side perspective view of a rice dispenser showing my new design;  
FIG. 2 is a bottom, front and right side perspective view thereof;  
FIG. 3 is a top plan view thereof;  
FIG. 4 is a bottom plan view thereof;  
FIG. 5 is a rear elevation view thereof;  
FIG. 6 is a front elevation view thereof;  
FIG. 7 is a left side elevation view thereof; and,  
FIG. 8 is a right side elevation view thereof.  
The broken lines shown in FIG. 4 represent portions of the rice dispenser that form no part of the claimed design.

**1 Claim, 6 Drawing Sheets**



# US D773,251 S

Page 2

(56)

## References Cited

### U.S. PATENT DOCUMENTS

D650,239 S 12/2011 Laib  
D651,528 S \* 1/2012 Robbins, III ..... D10/46.2  
D674,249 S \* 1/2013 Duvigneau ..... D7/629  
D706,387 S \* 6/2014 Chen ..... D23/209  
D736,570 S \* 8/2015 Sykes ..... D10/46.2

2003/0094465 A1\* 5/2003 Ellis ..... A47F 1/03  
222/185.1  
2006/0049207 A1\* 3/2006 Bogoshian ..... A47J 47/01  
222/196  
2011/0226643 A1\* 9/2011 Kates ..... A61B 5/14532  
206/305  
2013/0048679 A1\* 2/2013 Swanick ..... B65D 47/0838  
222/206

\* cited by examiner



FIG. 1



FIG. 2

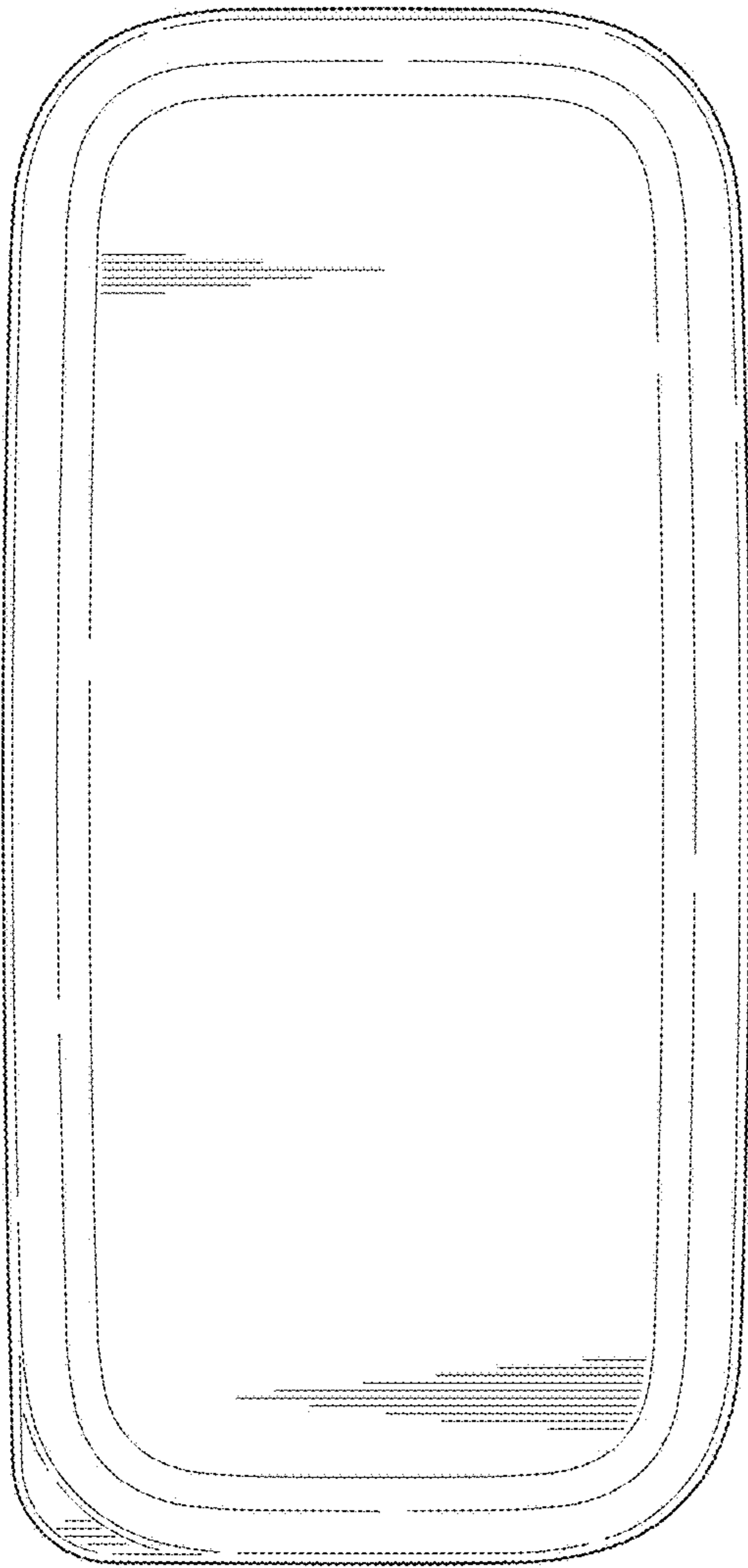


FIG. 3

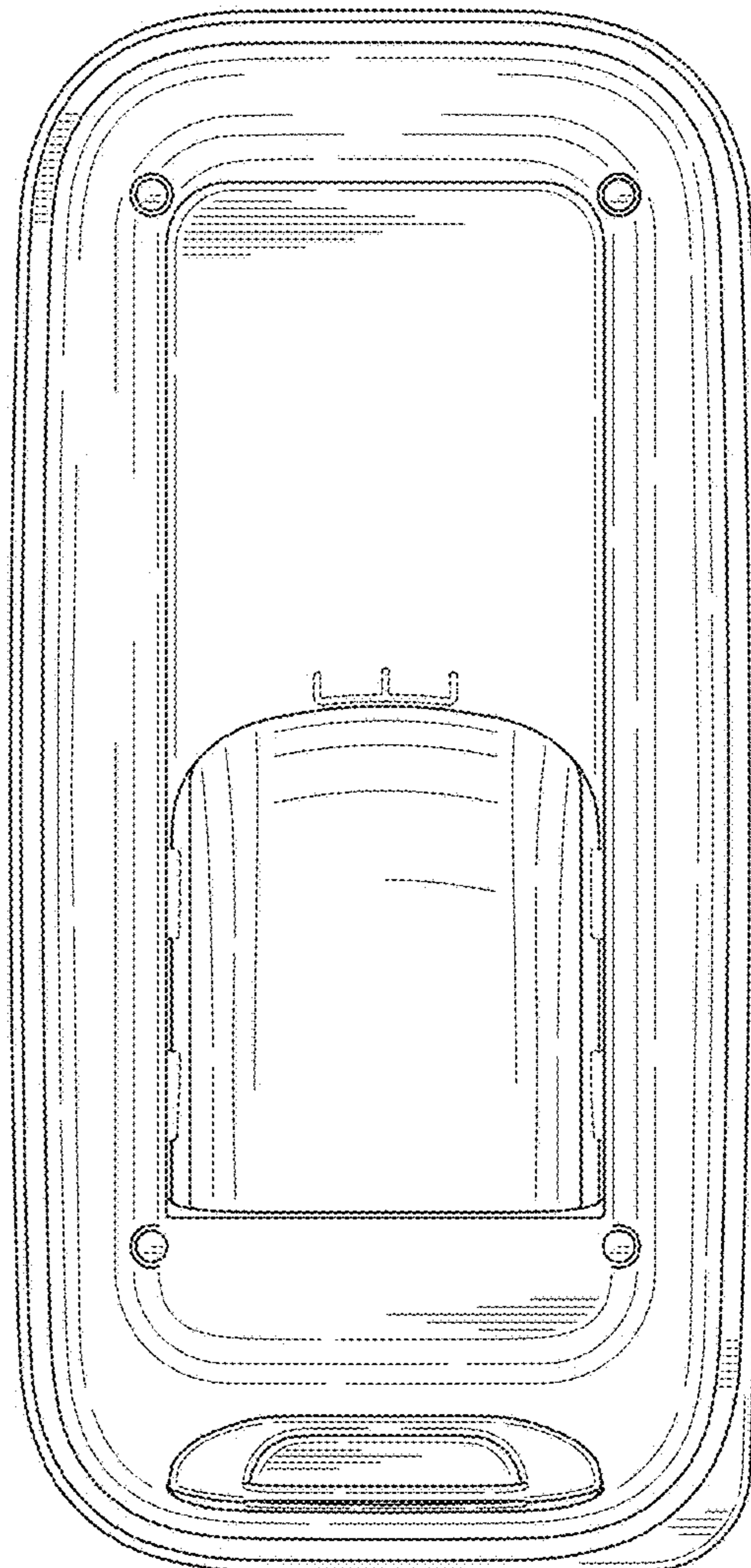


FIG. 4

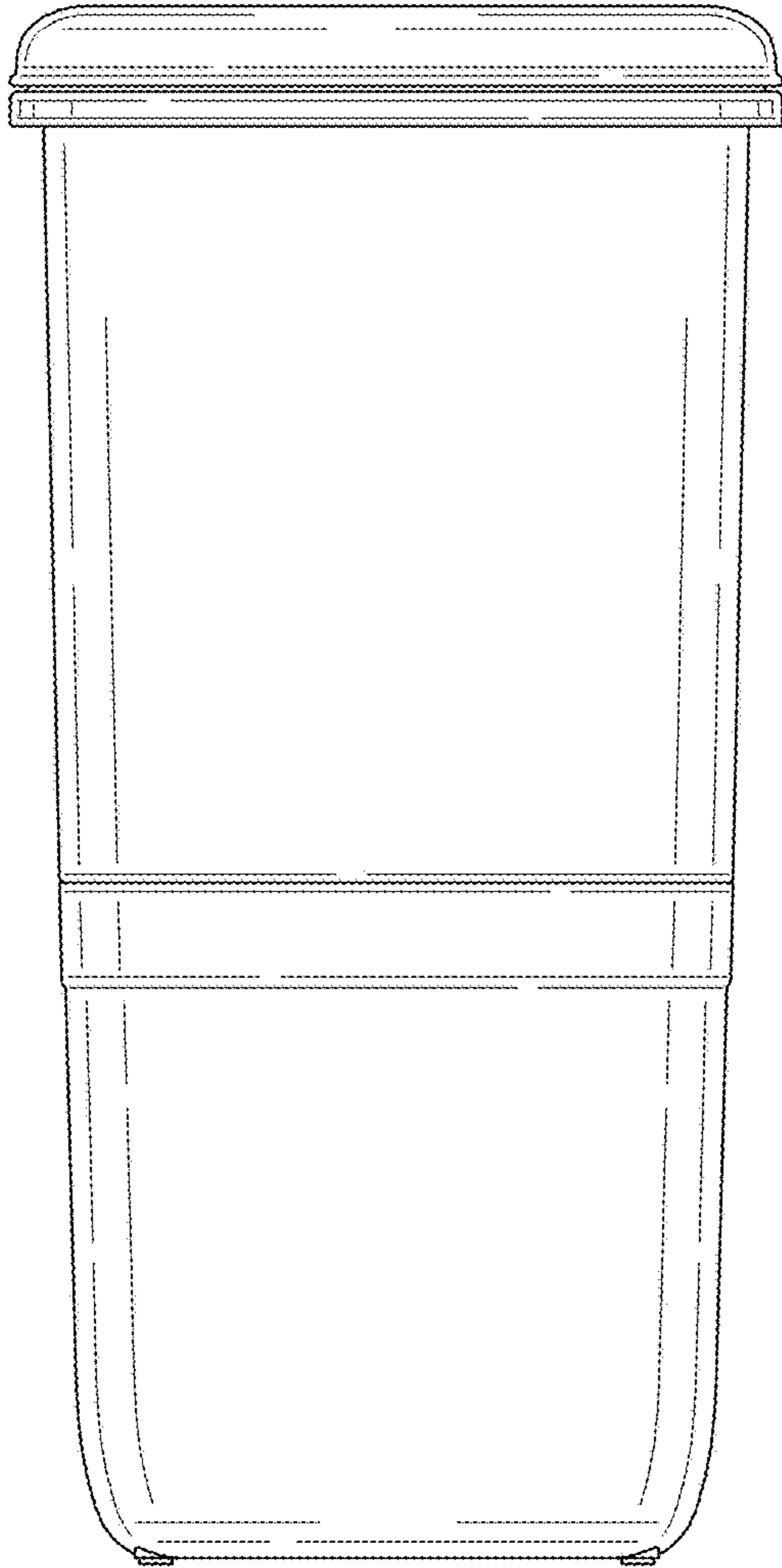


FIG. 5

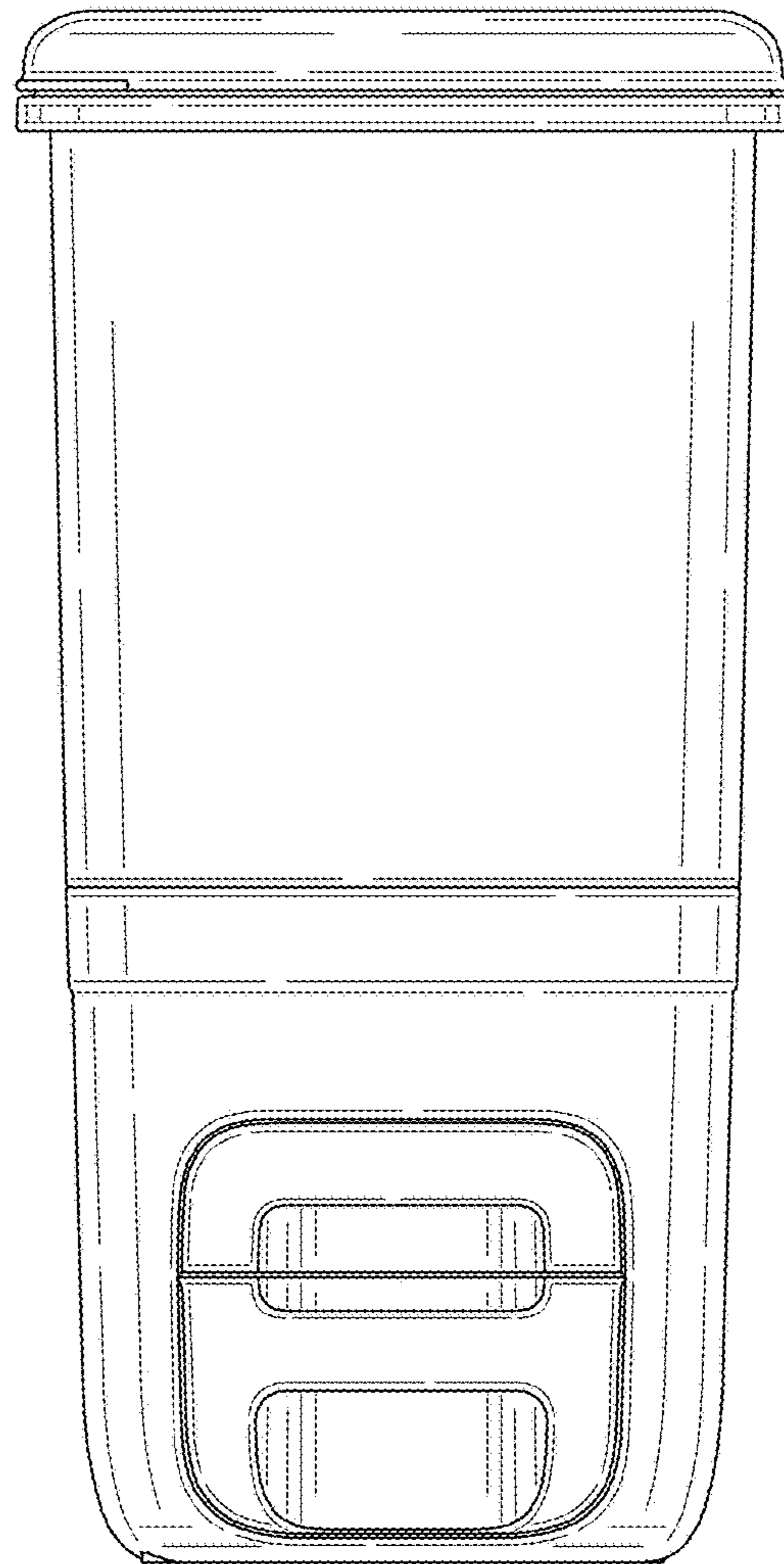


FIG. 6

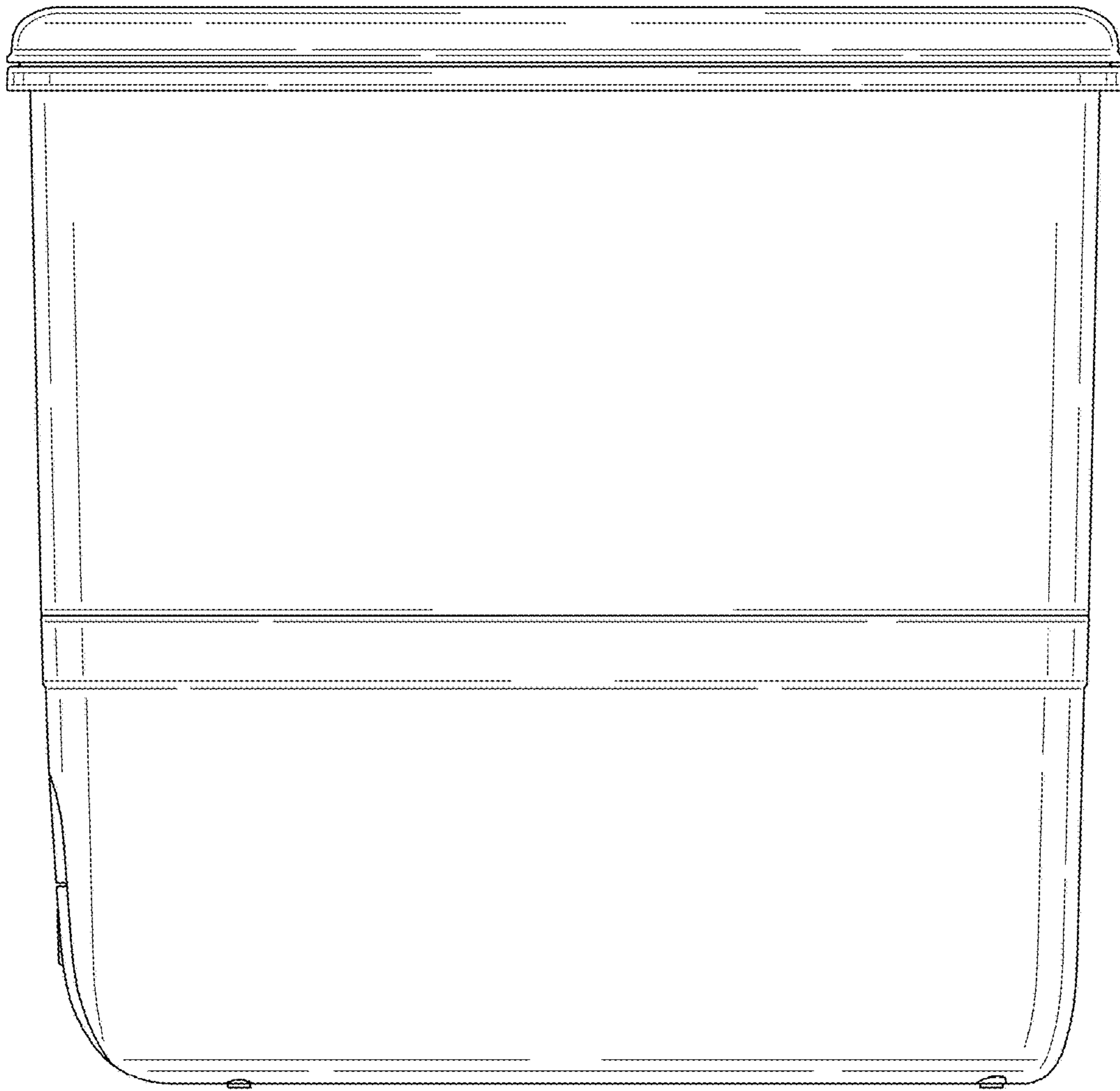


FIG. 7

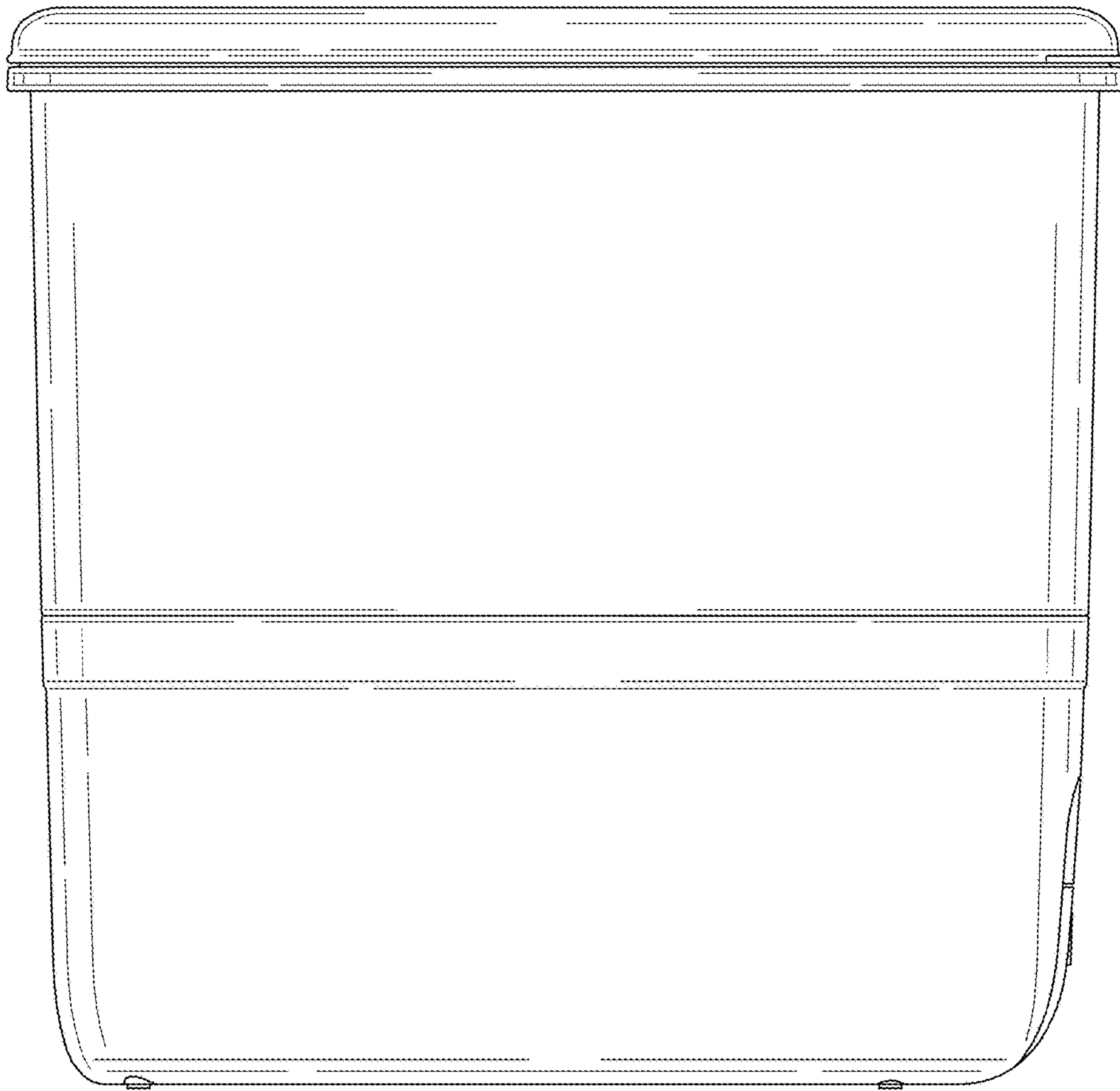


FIG. 8