



US00D773248S

(12) **United States Design Patent** (10) **Patent No.:** **US D773,248 S**
Barquin et al. (45) **Date of Patent:** **** Dec. 6, 2016**

(54) **BLENDER JAR** D499,602 S * 12/2004 Feil D7/378
D499,606 S * 12/2004 Feil D7/413
(71) Applicant: **Spectrum Brands, Inc.**, Middleton, WI D512,265 S * 12/2005 McCurrach D7/378
(US) D532,251 S * 11/2006 Kassenaar D7/378
(72) Inventors: **Francisco Javier Barquin**, Madison, WI (US); **Randy Scott Miller**, D537,674 S * 3/2007 Davenport D7/378
DeForest, WI (US); **Jacob Daniel** D543,072 S * 5/2007 Ting D7/378
Smith, Madison, WI (US); **Kroy** D563,164 S * 3/2008 Sands D7/413
Everett Nernberger, Madison, WI D577,537 S 9/2008 Lee
(US) D597,372 S 8/2009 Nordwall et al.
(73) Assignee: **Spectrum Brands, Inc.**, Middleton, WI D625,141 S 10/2010 Moore
(US) D645,301 S 9/2011 Tse
D659,469 S * 5/2012 Hoare D7/376
D694,582 S 12/2013 Norland
D694,583 S 12/2013 Norland
D760,535 S * 7/2016 Vu D7/376
(**) Term: **15 Years** 2009/0129200 A1 * 5/2009 Breviere A47J 43/0716
366/205

(21) Appl. No.: **29/537,139**

(22) Filed: **Aug. 21, 2015**

(51) **LOC (10) Cl.** **31-00**

(52) **U.S. Cl.**
USPC **D7/413; D7/376; D7/378; D7/386;**
D7/412

(58) **Field of Classification Search**
USPC **D7/372, 376-386, 412-413, 602,**
629, D7/665-666, 669, 679, 693-694
CPC **A21C 1/02; A21C 1/04; A23N 1/00;**
A23N 1/02; A47J 43/04; A47J
43/25; A47J 43/27; A47J 43/042; A47J
43/044; A47J 43/046; A47J 43/075; A47J
43/0716; A47J 43/0722; A47J 43/0727;
B01F 3/00; B01F 3/0807; B01F 3/0853;
B01F 13/0059; B01F 13/0064; B02C
1/08; B02C 2/04; B02C 4/42; B02C
4/142; B02C 4/143; B02C 4/423; B02C
13/1835; B02C 5/10; B02C 5/12; B02C
5/14; B02C 5/16

See application file for complete search history.

(56) **References Cited**

U.S. PATENT DOCUMENTS

D347,966 S * 6/1994 Doggett D7/378
D386,355 S * 11/1997 Davidson D7/378
D404,247 S * 1/1999 Spagnolo D7/378

FOREIGN PATENT DOCUMENTS

CA 128072 S 5/2009
CA 128074 S 5/2009

* cited by examiner

Primary Examiner — Ricky Pham
(74) *Attorney, Agent, or Firm* — Banner & Witcoff, Ltd.

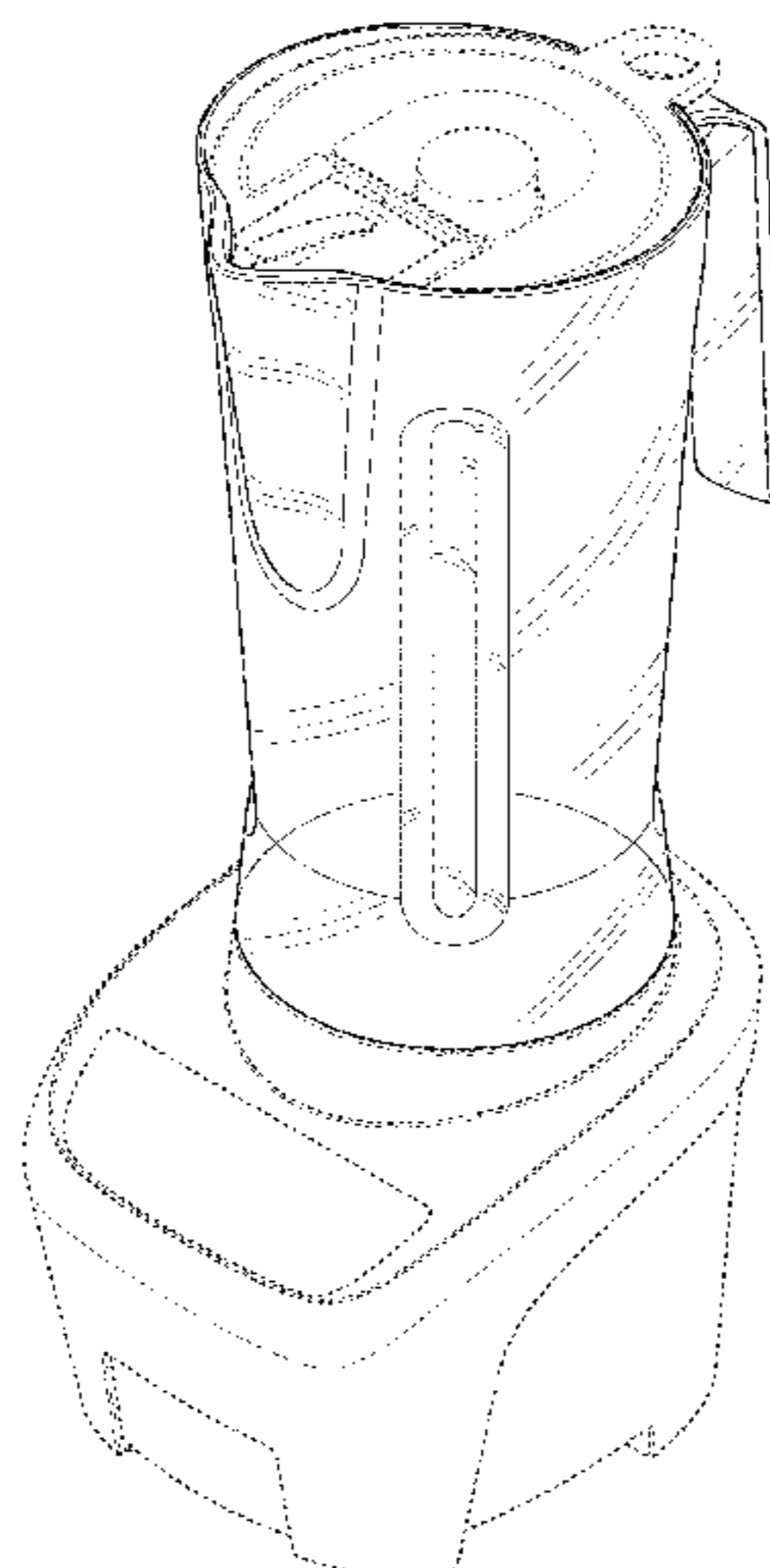
(57) **CLAIM**

The ornamental design for a blender jar, as shown and described.

DESCRIPTION

FIG. 1 is a front perspective view of a blender jar showing our new design;
FIG. 2 is a front view thereof;
FIG. 3 is a rear view thereof;
FIG. 4 is a top view thereof;
FIG. 5 is a right side view thereof; and,
FIG. 6 is a left side view thereof.
The broken line showing of the blender lid and the blender base is for environmental purposes only and forms no part of the claimed design.

1 Claim, 6 Drawing Sheets



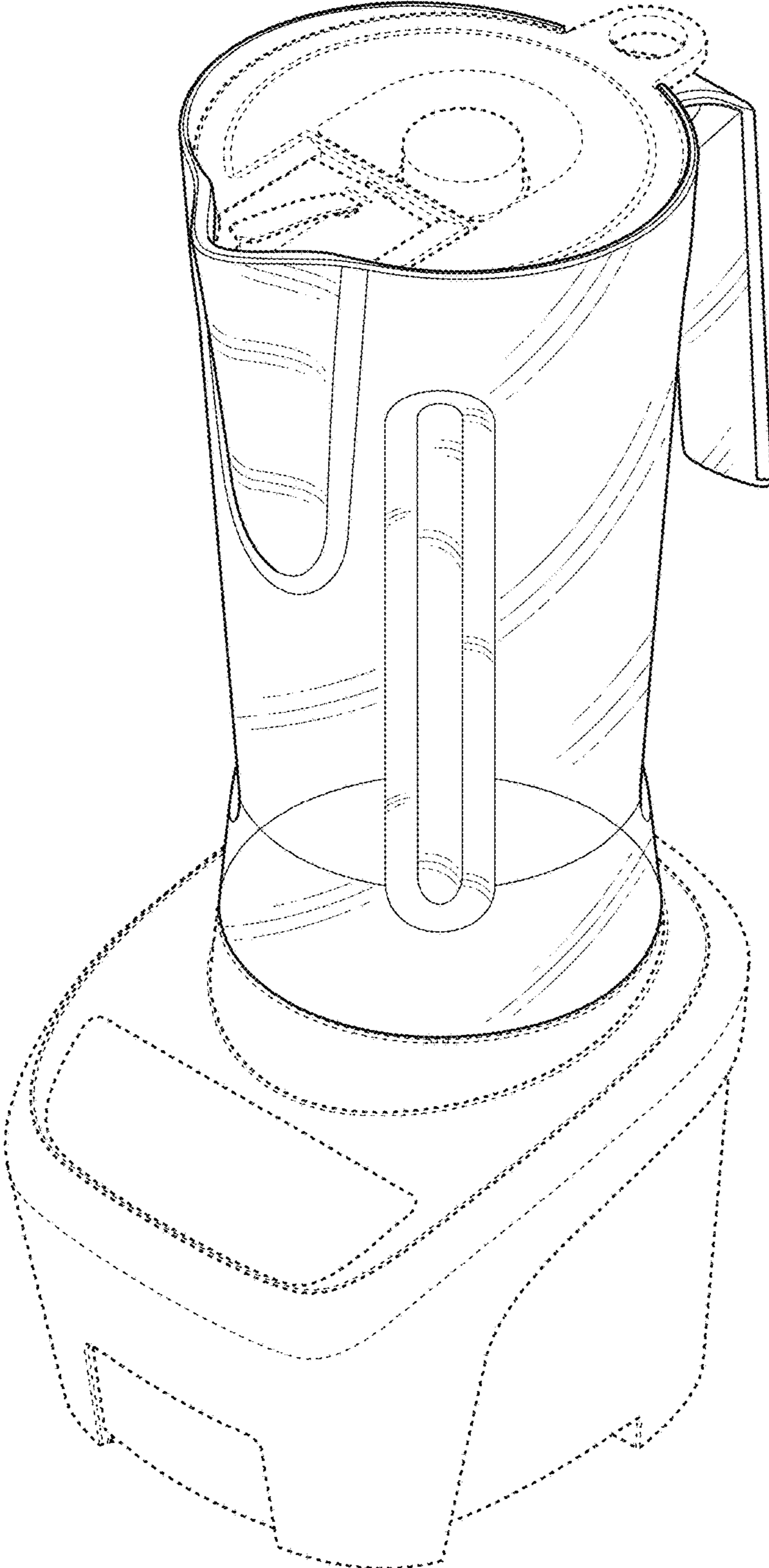


FIG. 1

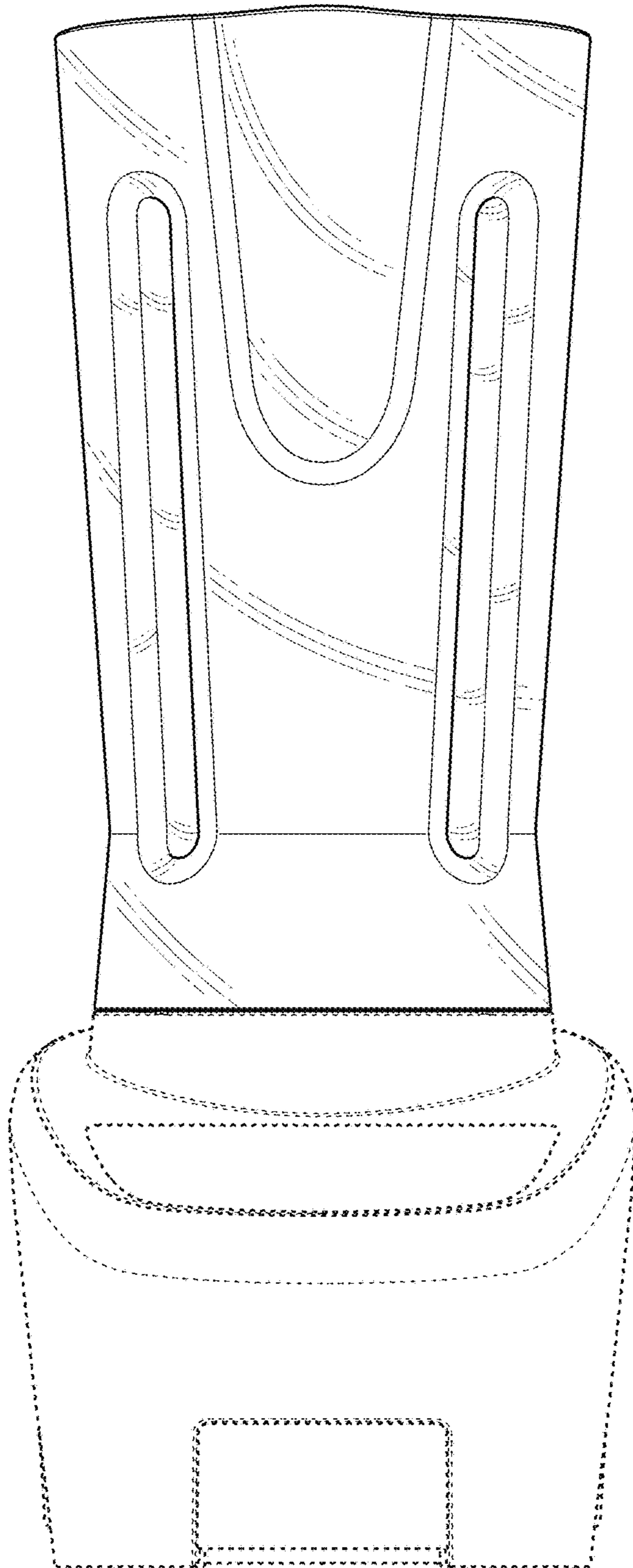


FIG. 2

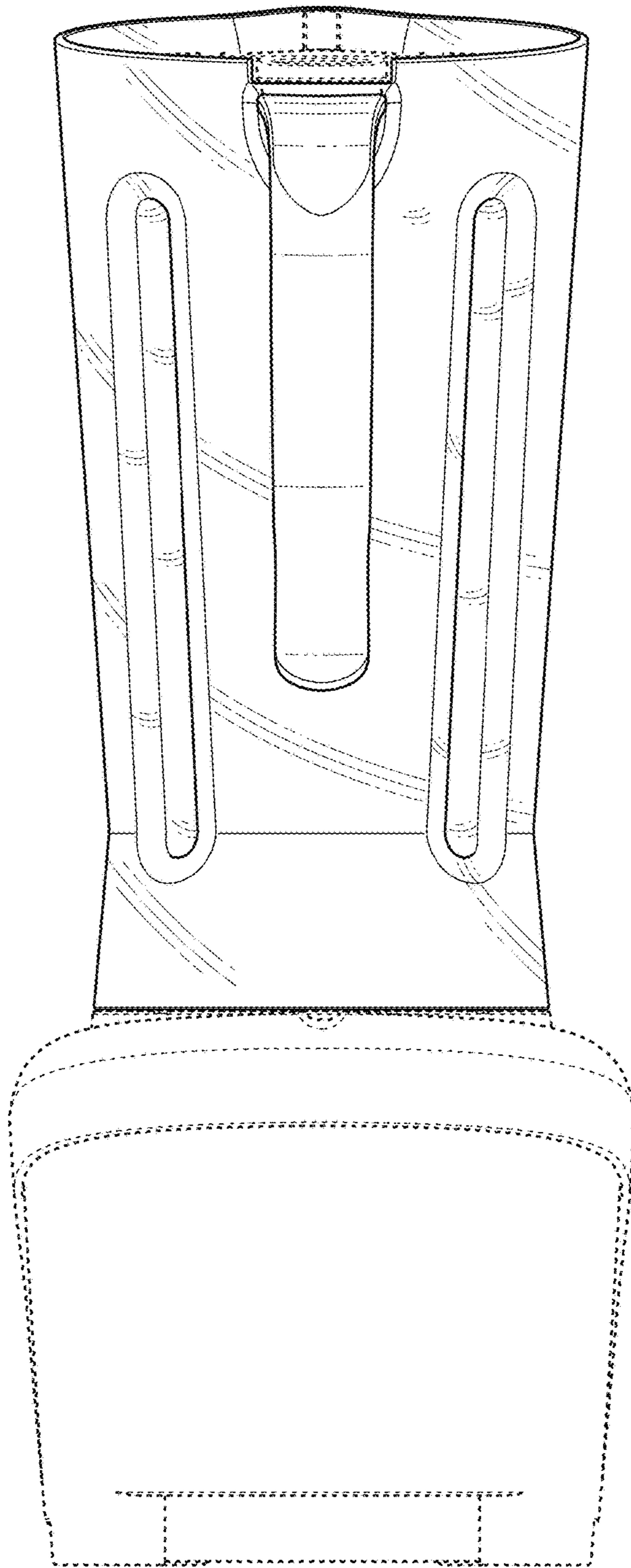


FIG. 3

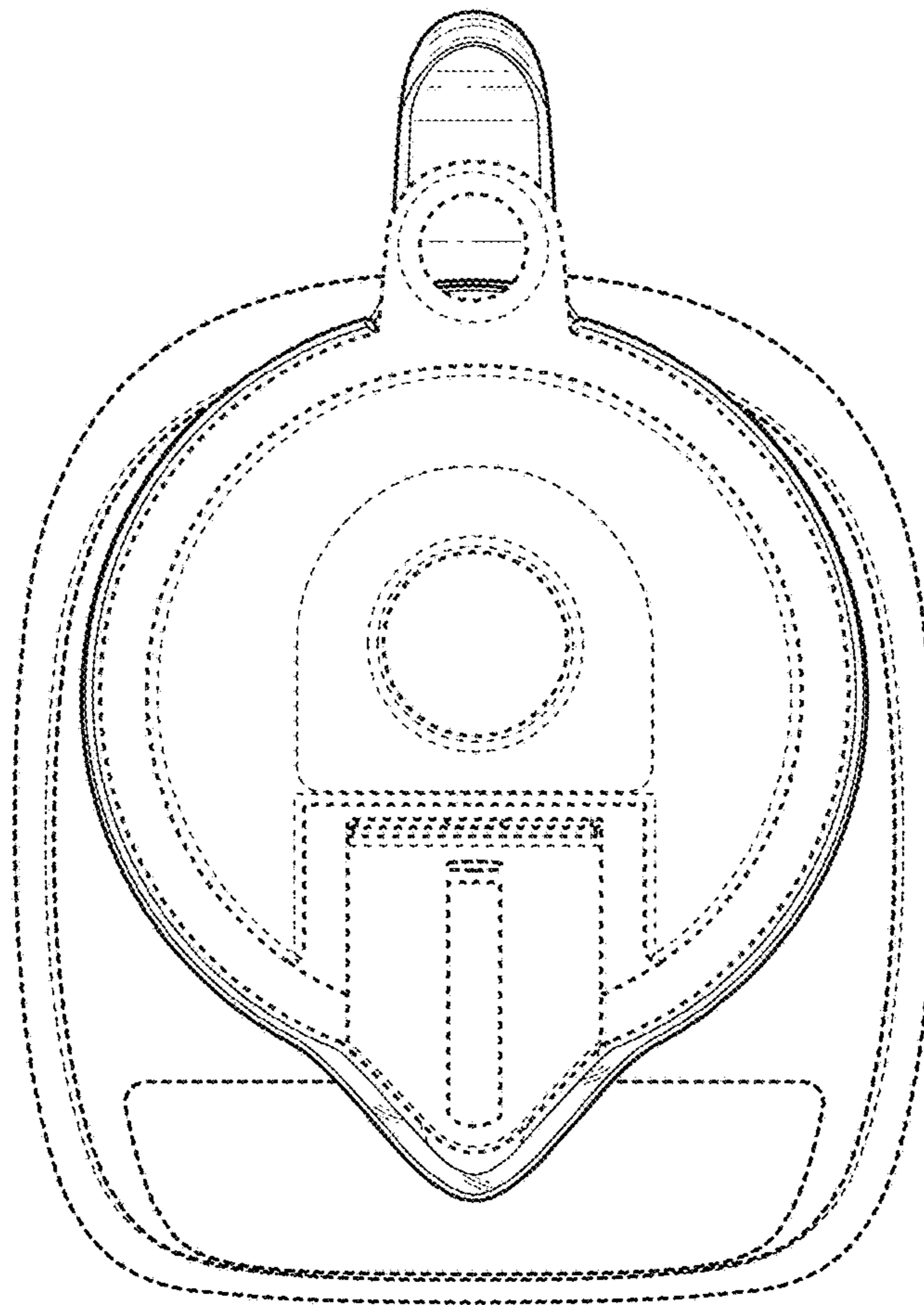


FIG. 4

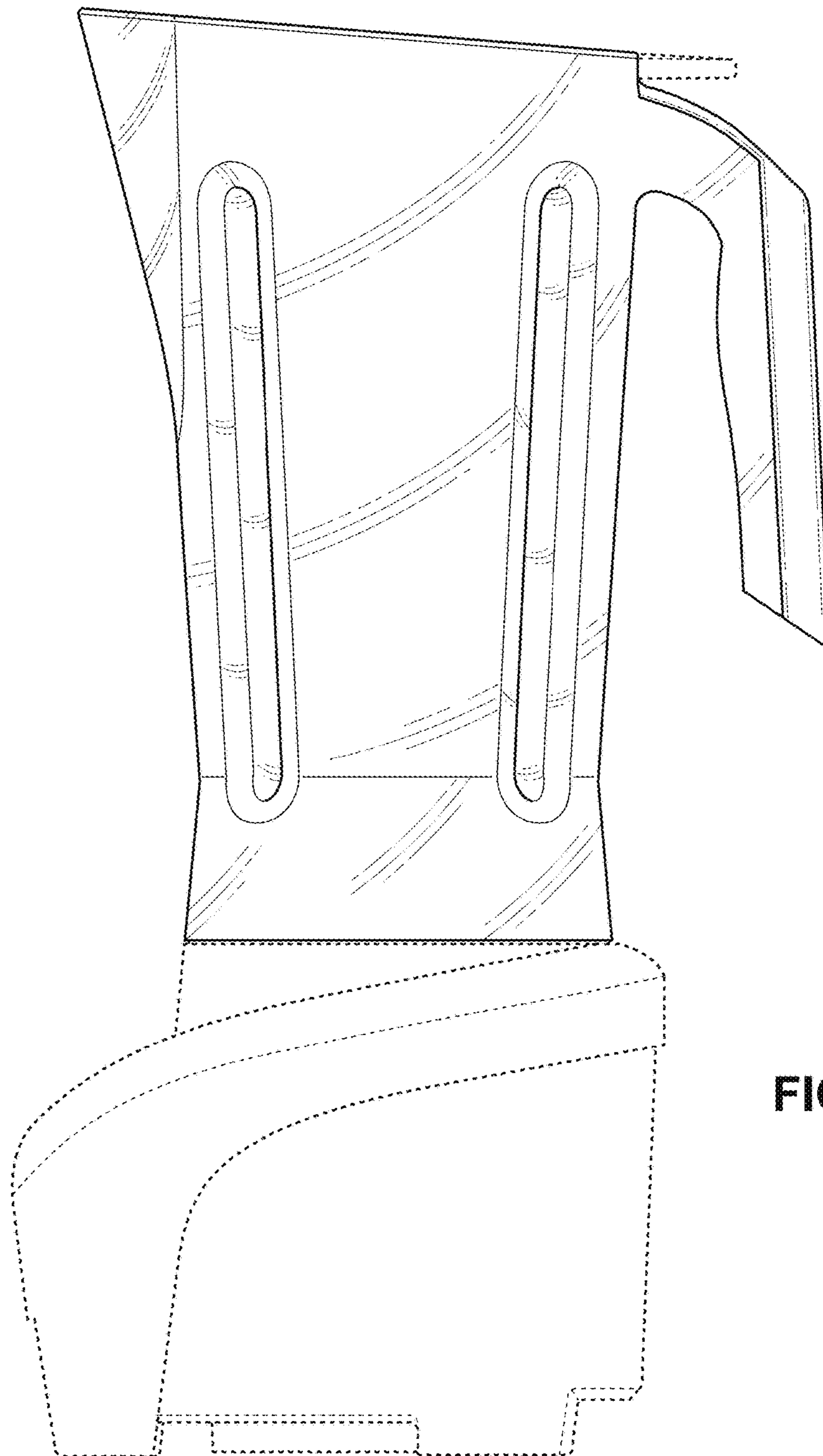


FIG. 5

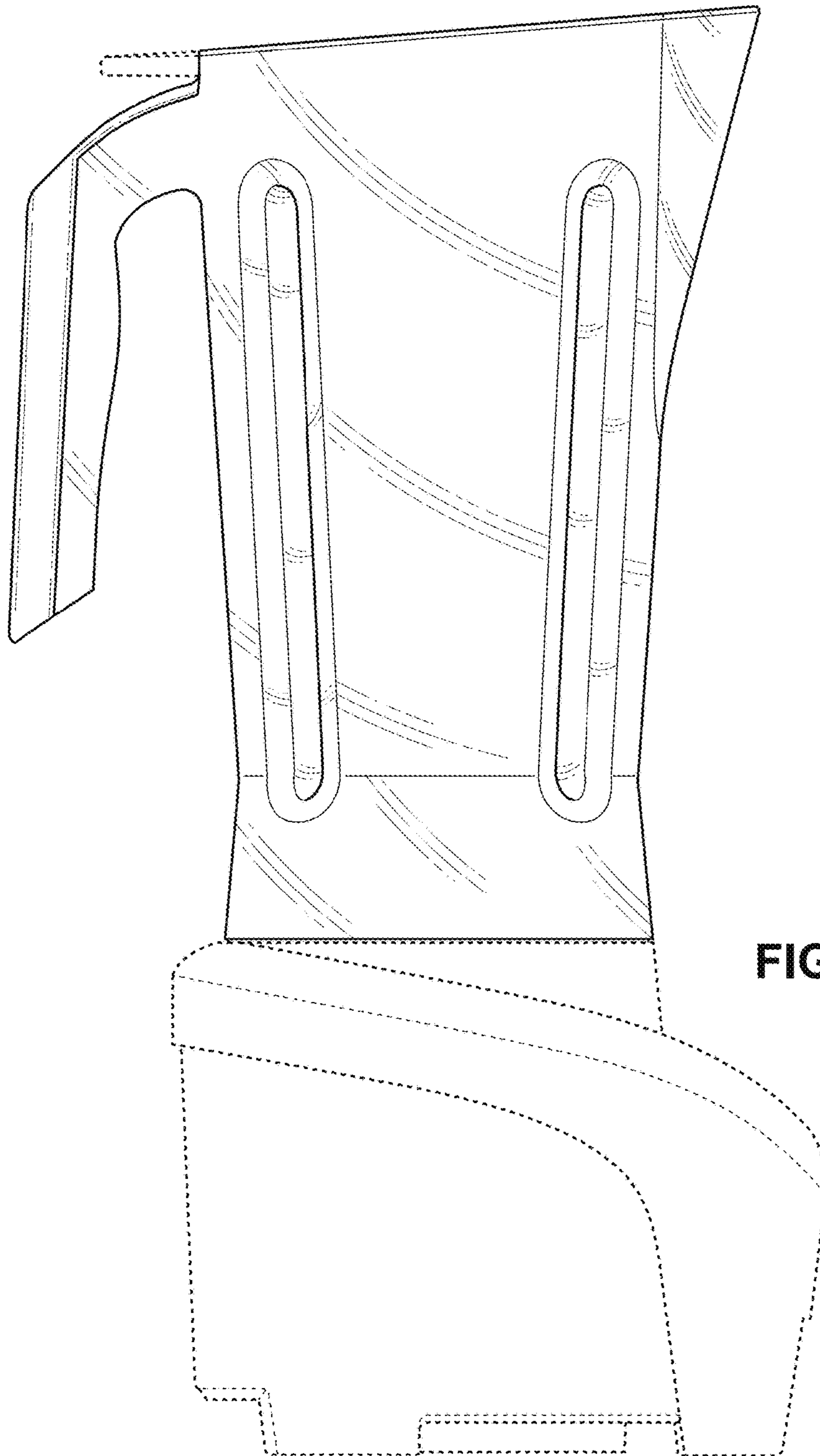


FIG. 6