



US00D773247S

(12) **United States Design Patent** (10) **Patent No.:** **US D773,247 S**
Barquin et al. (45) **Date of Patent:** **** Dec. 6, 2016**

(54) **SLEEVE FOR A BLENDER JAR**
(71) Applicant: **Spectrum Brands, Inc.**, Middleton, WI (US)
(72) Inventors: **Francisco Javier Barquin**, Madison, WI (US); **Randy Scott Miller**, DeForest, WI (US)
(73) Assignee: **Spectrum Brands, Inc.**, Middleton, WI (US)
(**) Term: **15 Years**
(21) Appl. No.: **29/537,141**

D404,247 S * 1/1999 Spagnolo D7/378
D499,602 S * 12/2004 Feil D7/378
D499,606 S * 12/2004 Feil D7/413
D512,265 S * 12/2005 McCurrach D7/378
D532,251 S * 11/2006 Kassenaar D7/378
D537,674 S * 3/2007 Davenport D7/378
D543,072 S * 5/2007 Ting D7/378
D563,164 S * 3/2008 Sands D7/413
D577,537 S 9/2008 Lee
D597,372 S 8/2009 Nordwall et al.
D625,141 S 10/2010 Moore
D645,301 S 9/2011 Tse
D659,469 S * 5/2012 Hoare D7/376
D694,582 S 12/2013 Norland
D694,583 S 12/2013 Norland
D760,535 S * 7/2016 Vu D7/376

(Continued)

(22) Filed: **Aug. 21, 2015**
(51) **LOC (10) Cl.** **31-00**
(52) **U.S. Cl.**
USPC **D7/412; D7/376; D7/378; D7/386; D7/413**

FOREIGN PATENT DOCUMENTS

CA 128072 S 5/2009
CA 128074 S 5/2009

Primary Examiner — Ricky Pham
(74) *Attorney, Agent, or Firm* — Banner & Witcoff, Ltd.

(58) **Field of Classification Search**
USPC D7/372, 376–386, 412–413, 602, 629, D7/665–666, 669, 679, 693–694
CPC A21C 1/02; A21C 1/04; A23N 1/00; A23N 1/02; A47J 43/04; A47J 43/25; A47J 43/27; A47J 43/042; A47J 43/044; A47J 43/046; A47J 43/075; A47J 43/0716; A47J 43/0722; A47J 43/0727; B01F 3/00; B01F 3/0807; B01F 3/0853; B01F 13/0059; B01F 13/0064; B02C 1/08; B02C 2/04; B02C 4/42; B02C 4/142; B02C 4/143; B02C 4/423; B02C 13/1835; B28C 5/10; B28C 5/12; B28C 5/14; B28C 5/16
See application file for complete search history.

(57) **CLAIM**

The ornamental design for a sleeve for a blender jar, as shown and described.

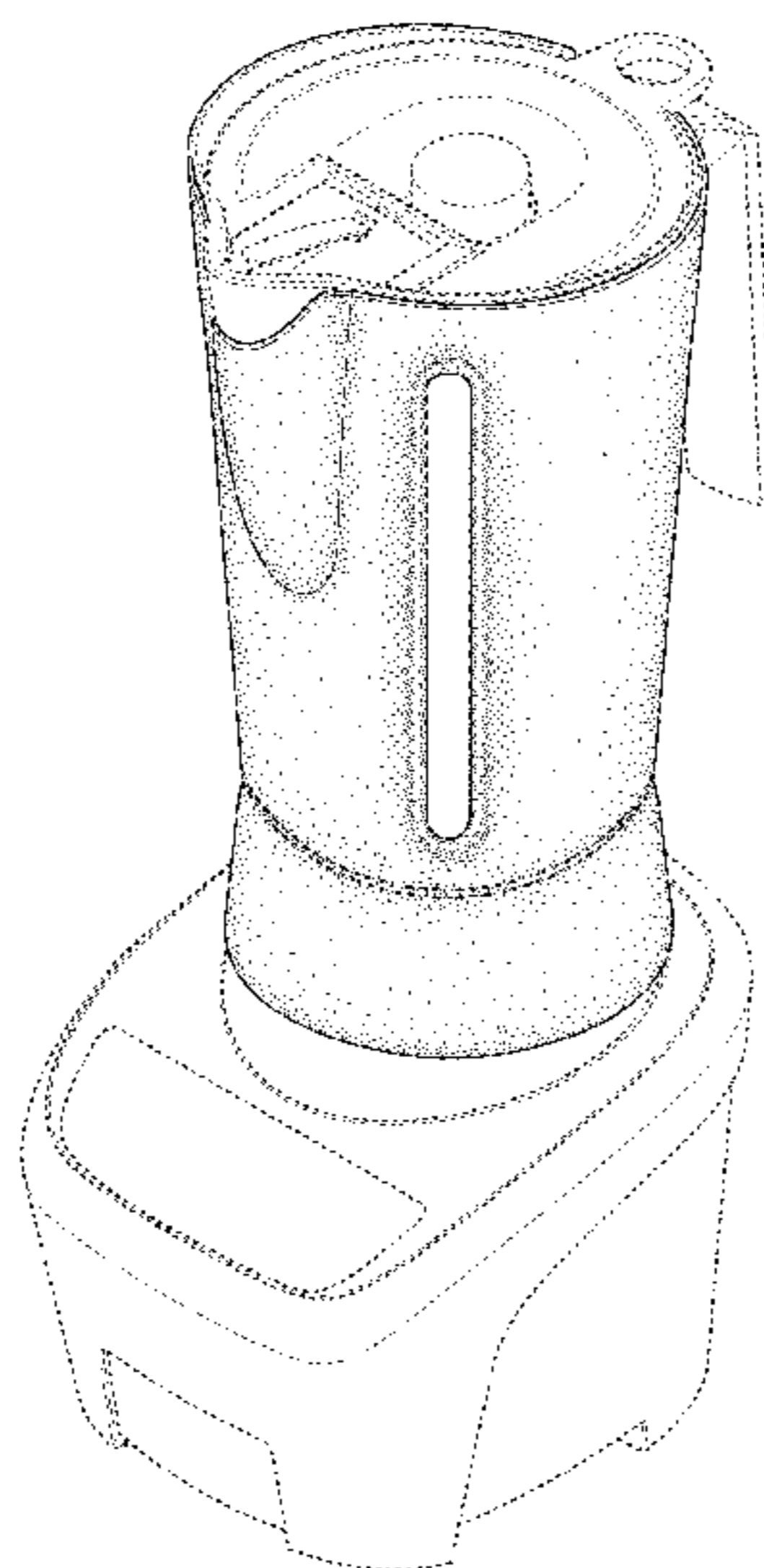
DESCRIPTION

FIG. 1 is a front perspective view of a sleeve for a blender jar showing our new design;
FIG. 2 is a front view thereof;
FIG. 3 is a rear view thereof;
FIG. 4 is a left side view thereof;
FIG. 5 is a right side view thereof; and,
FIG. 6 is a top view thereof.
The broken line showing the stitching on the sleeve, the blender jar, and the blender base is for environmental purposes only and forms no part of the claimed design.

(56) **References Cited**
U.S. PATENT DOCUMENTS

D347,966 S * 6/1994 Doggett D7/378
D386,355 S * 11/1997 Davidson D7/378

1 Claim, 6 Drawing Sheets



(56)

References Cited

U.S. PATENT DOCUMENTS

2009/0129200 A1* 5/2009 Breviere A47J 43/0716
366/205

* cited by examiner

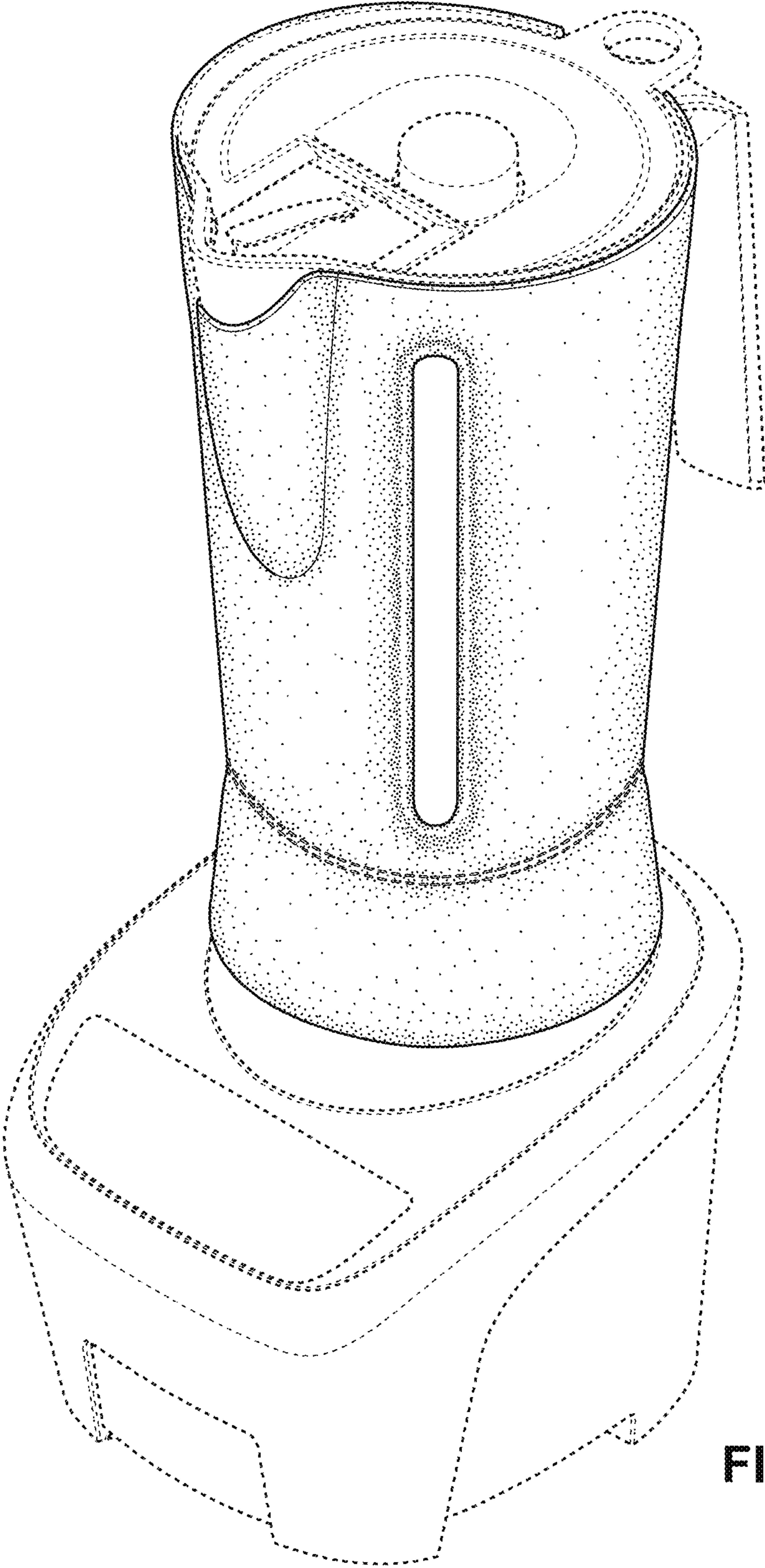


FIG. 1

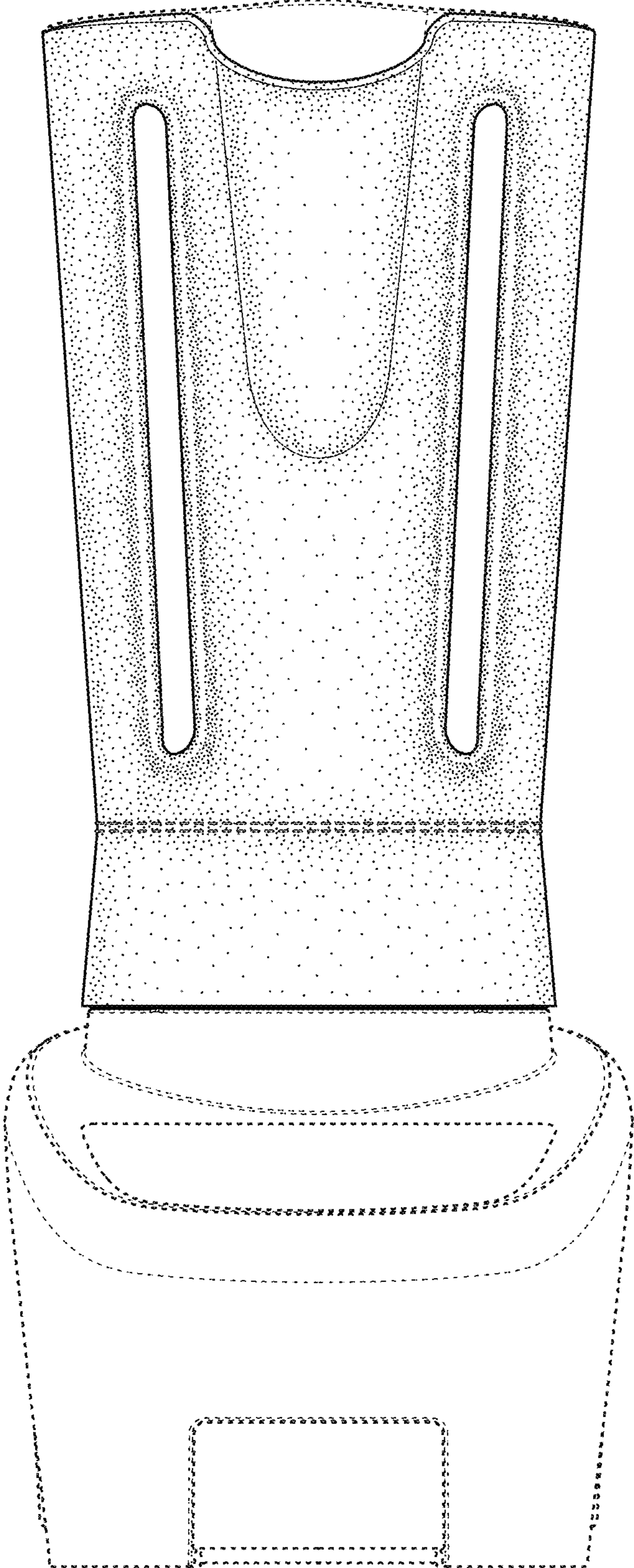


FIG. 2

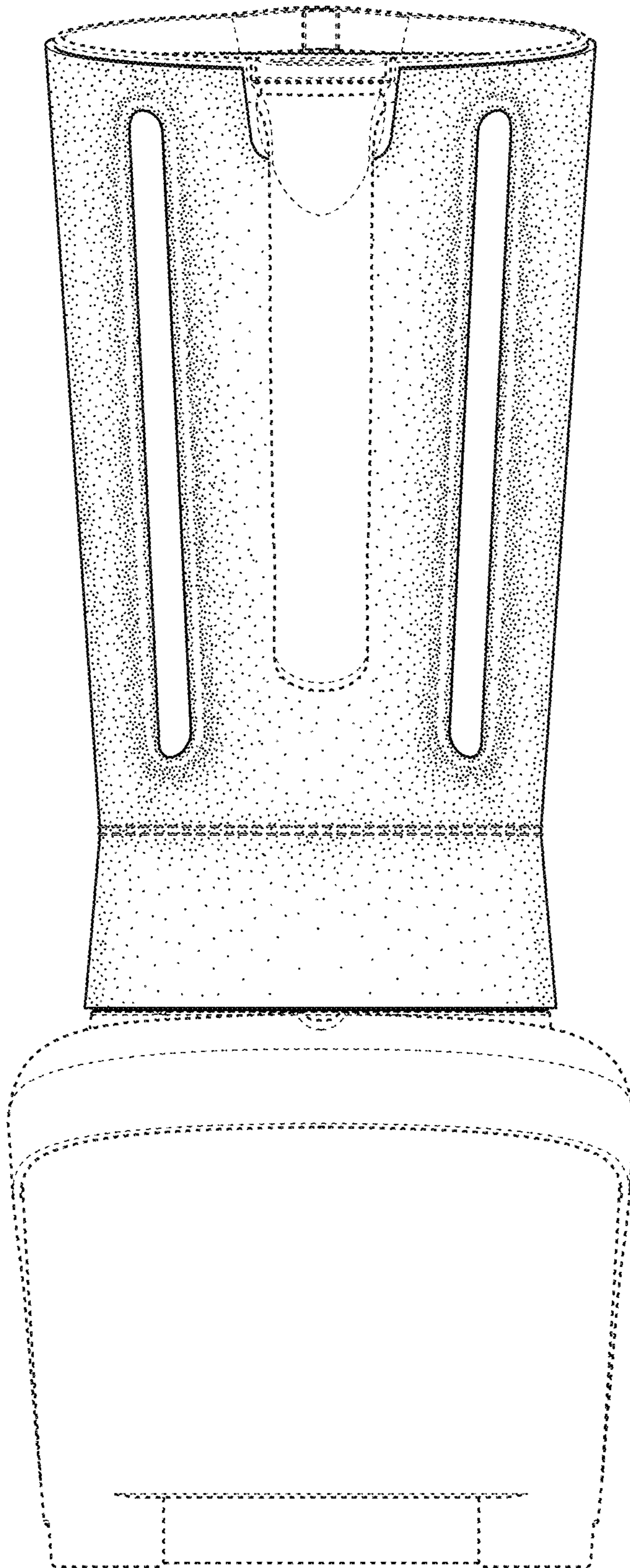


FIG. 3

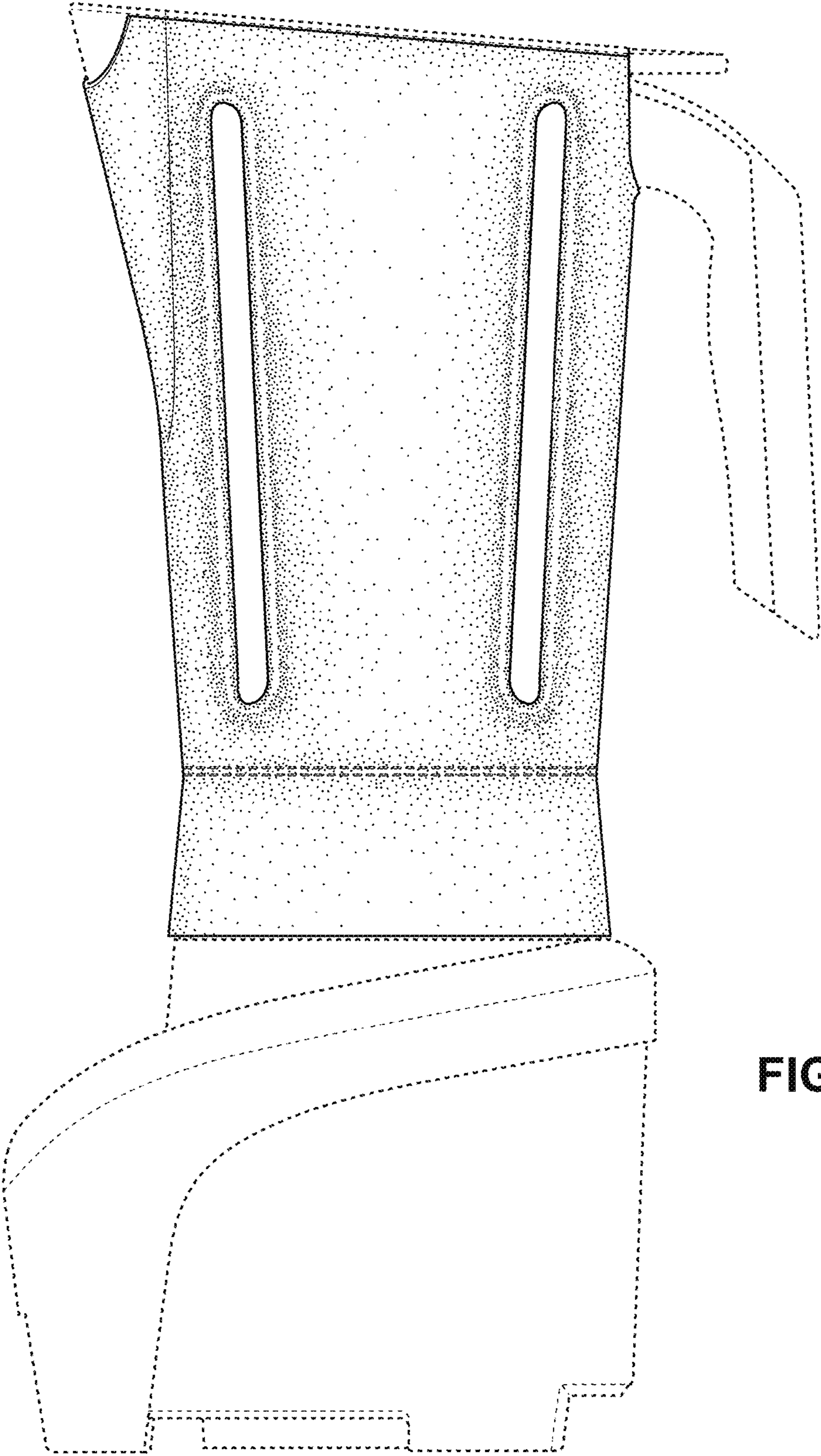


FIG. 4

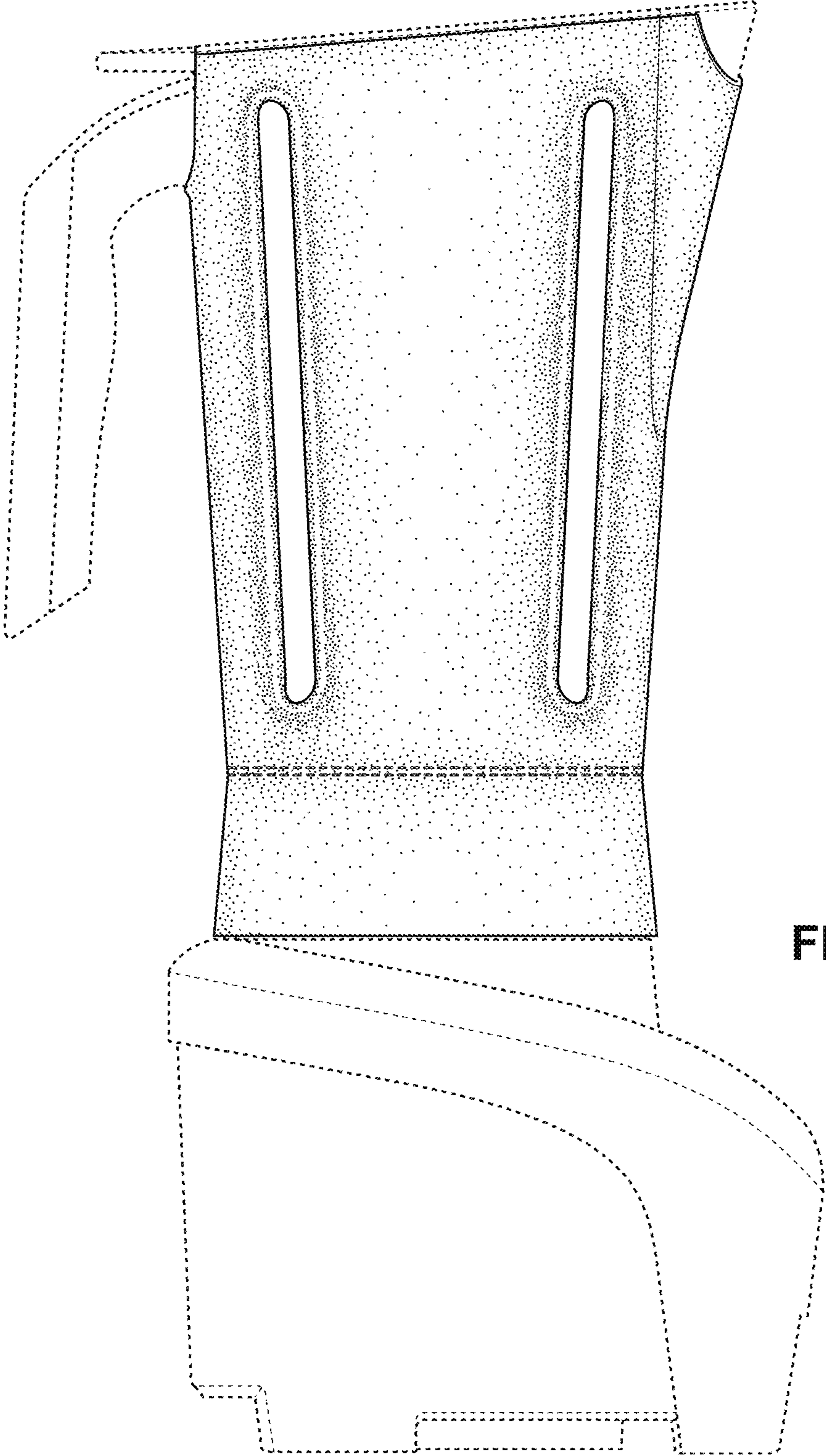


FIG. 5

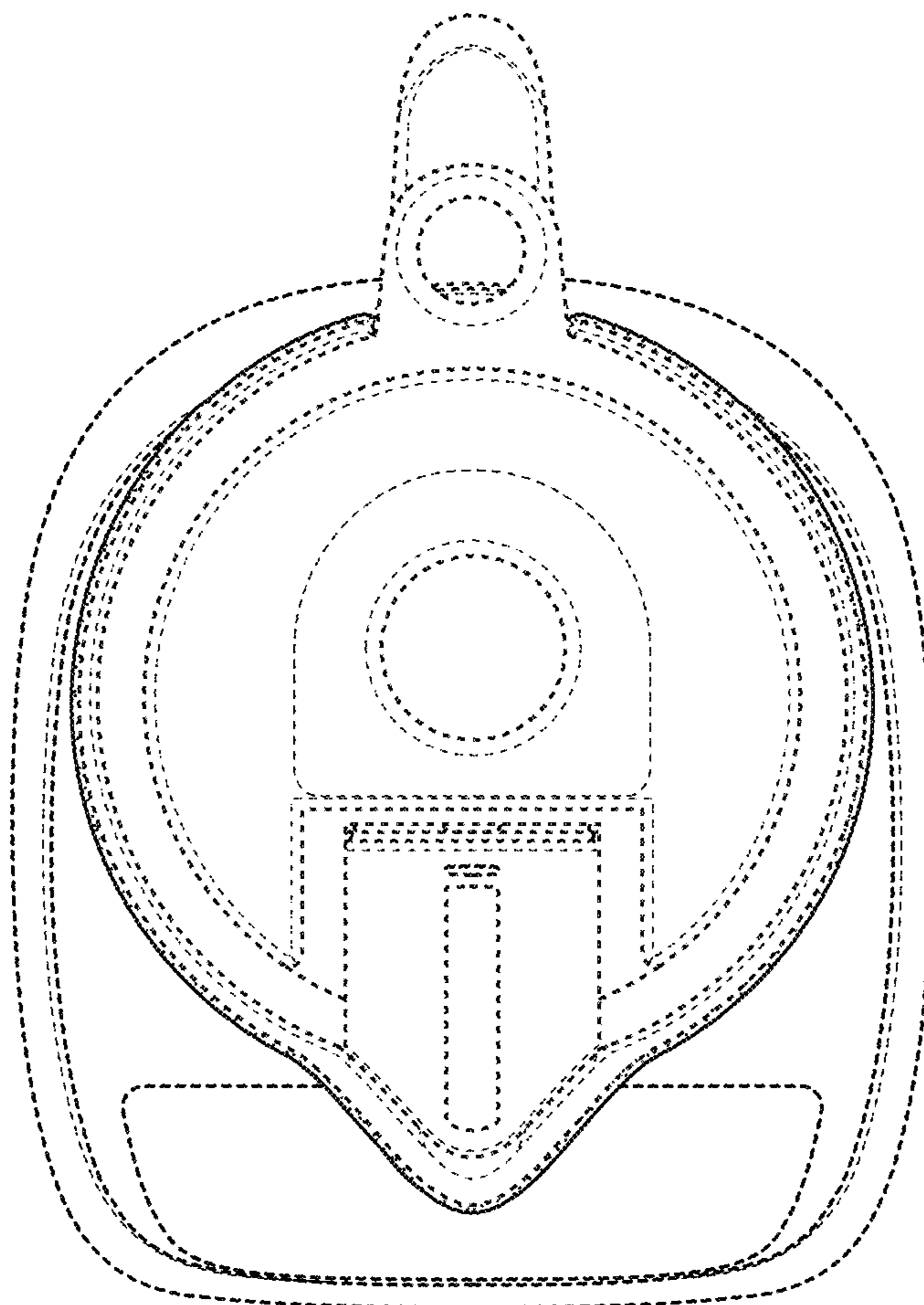


FIG. 6