



US00D773246S

(12) **United States Design Patent** (10) **Patent No.:** **US D773,246 S**
Raley (45) **Date of Patent:** **** Dec. 6, 2016**

(54) **STOVETOP COVER**

D651,459 S * 1/2012 Eades D7/402
D658,942 S * 5/2012 Borovicka D7/409
D757,493 S * 5/2016 Lee D7/352

(71) Applicant: **Robert Raley**, Orlando, FL (US)

(72) Inventor: **Robert Raley**, Orlando, FL (US)

(73) Assignee: **MORE COUNTER SPACE, LLC**,
Orlando, FL (US)

(**) Term: **14 Years**

(21) Appl. No.: **29/526,607**

(22) Filed: **May 12, 2015**

Related U.S. Application Data

(63) Continuation-in-part of application No. 29/508,674,
filed on Nov. 10, 2014, now abandoned.

(51) **LOC (10) Cl.** **07-02**

(52) **U.S. Cl.**
USPC **D7/402**

(58) **Field of Classification Search**
USPC D7/402-408, 339-340, 346-349,
D7/350.1-351, 323, 330-338
CPC .. H05B 6/763; H05B 6/6414; H05B 6/6408;
Y02B 40/14; Y02B 40/143; Y02B 40/146;
F24C 15/02; F24C 1/00; F24C 14/00; F24C
3/00; F24C 5/00; F24C 7/00; A47J 37/07;
A47J 37/06

See application file for complete search history.

(56) **References Cited**

U.S. PATENT DOCUMENTS

D298,406 S * 11/1988 Stephen D7/402
D380,347 S * 7/1997 Norton D7/409
D413,229 S * 8/1999 Hopkins D7/406
D414,074 S * 9/1999 Jalayer D7/363
D414,654 S * 10/1999 Epps D7/402
D457,393 S * 5/2002 Lewis D7/402
D542,587 S * 5/2007 Jensen D7/346

OTHER PUBLICATIONS

More Counter Space White, by More Counter Space, Amazon [online], earliest comment on this item published Oct. 16, 2009, [retrieved on Sep. 13, 2016]. <URL: <https://www.amazon.com/More-Counter-Space-White/dp/B004V5ARE4?psc=1&SubscriptionId=14H876SFAKFS0EHBYQ02&tag=hubpages-20&linkCode=xm2&camp=2025&creative=165953&creativeASIN=B004V5ARE4>>.*
Amazon Customer Review, by Judy Jensen, Amazon [online], published Oct. 25, 2014, [retrieved on Sep. 14, 2016]. Retrieved from the Internet <URL: https://www.amazon.com/gp/customer-reviews/R1SMWJE9IL1SWE/ref=cm_cr_getr_d_rvw_ttl?ie=UTF8&ASIN=B004V5ARJE>.*

* cited by examiner

Primary Examiner — Sheryl Lane

Assistant Examiner — Nicole Shiflet

(74) *Attorney, Agent, or Firm* — Shanti Hill, Esq.; Beusse Wolter Sanks & Maire, PLLC

(57) **CLAIM**

The ornamental design for a stovetop cover, as shown and described.

DESCRIPTION

FIG. 1 is a top, left perspective view of the stovetop cover. FIG. 2 is a bottom, left perspective view of the stovetop cover.

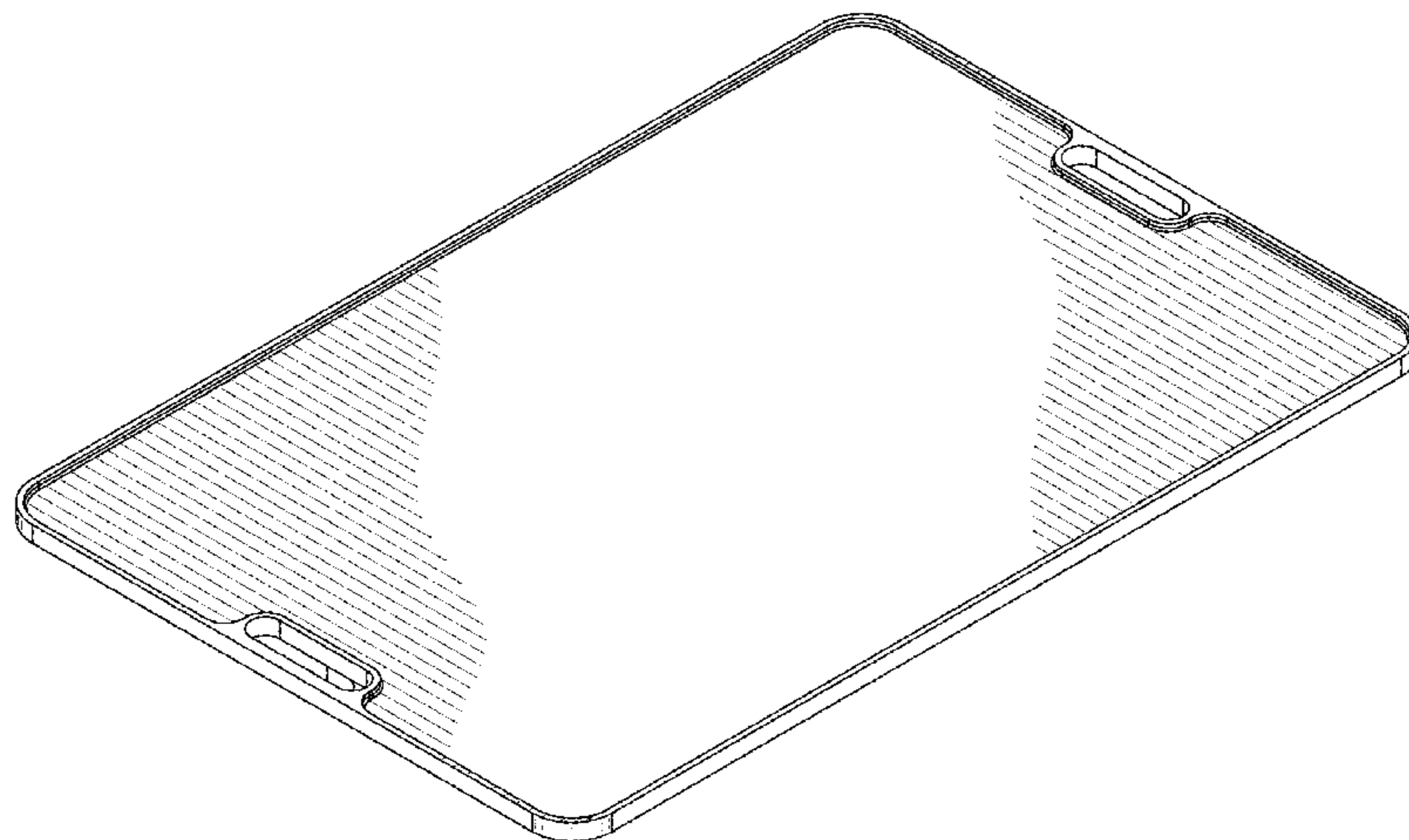
FIG. 3 is a top elevation view of the stovetop cover.

FIG. 4 is a bottom elevation view of the stovetop cover.

FIG. 5 is a side view of one of the shorter sides of the stovetop cover; and,

FIG. 6 is a side view of one of the longer sides of the stovetop cover.

1 Claim, 5 Drawing Sheets



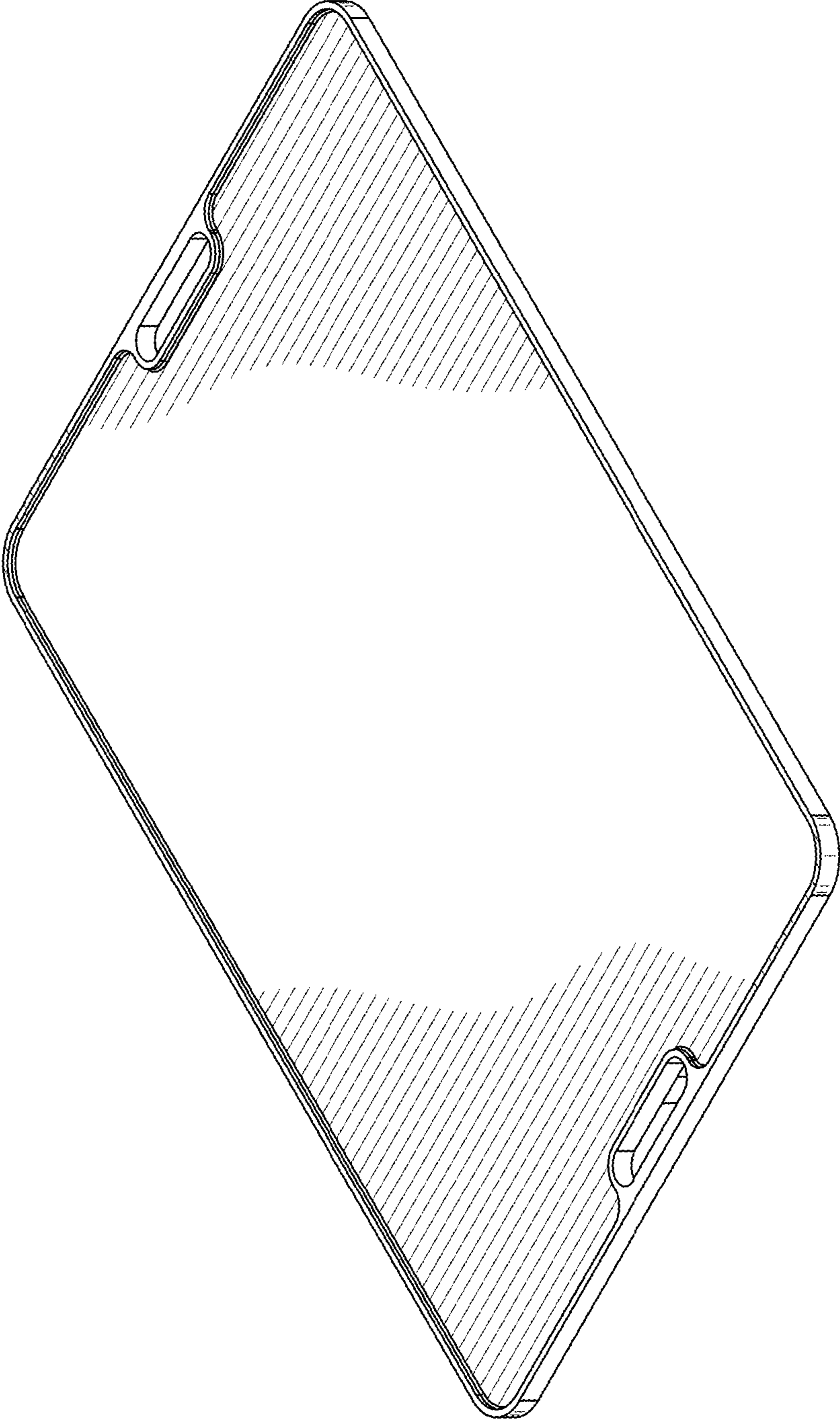


FIG. 1

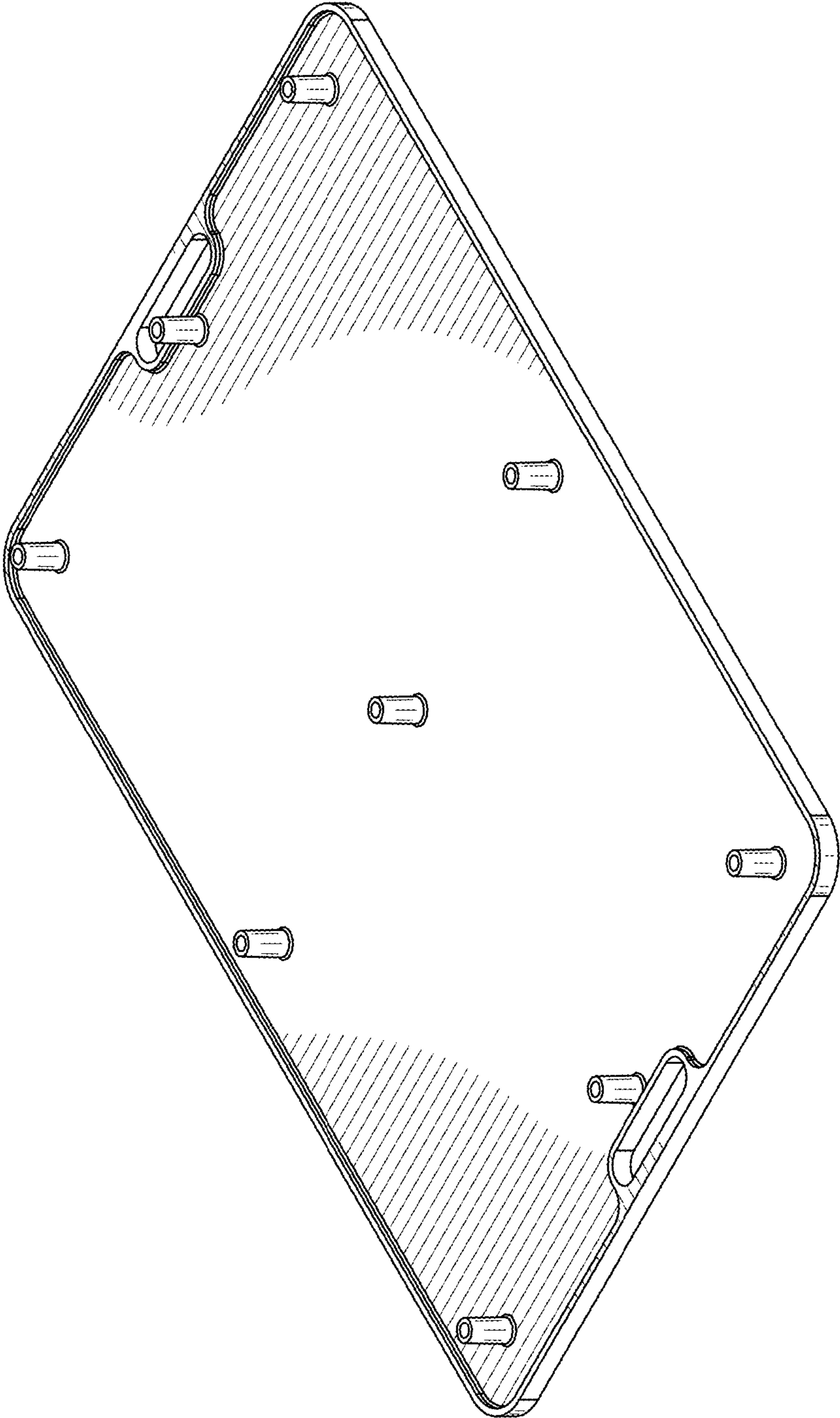


FIG. 2

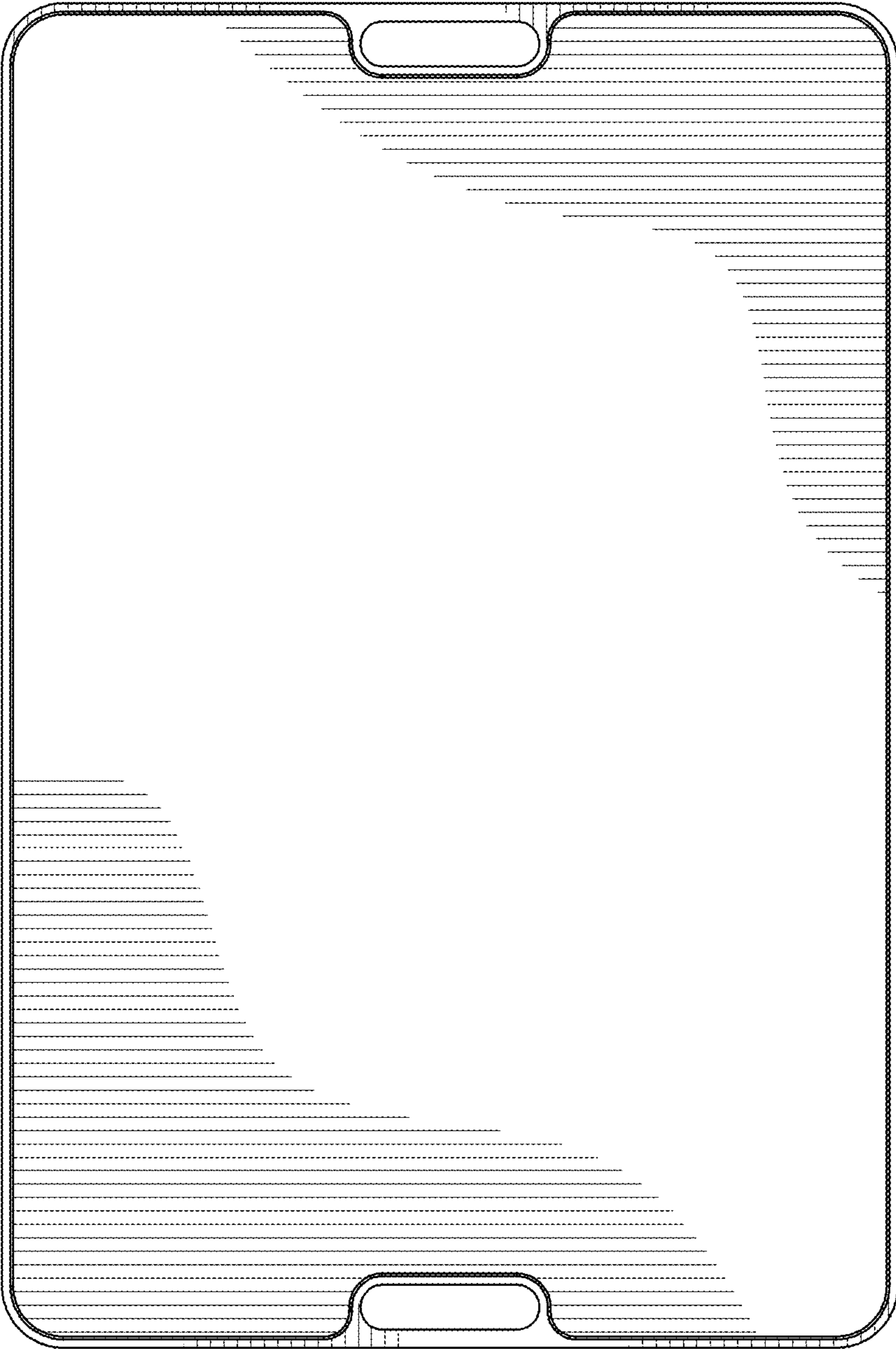


FIG. 3

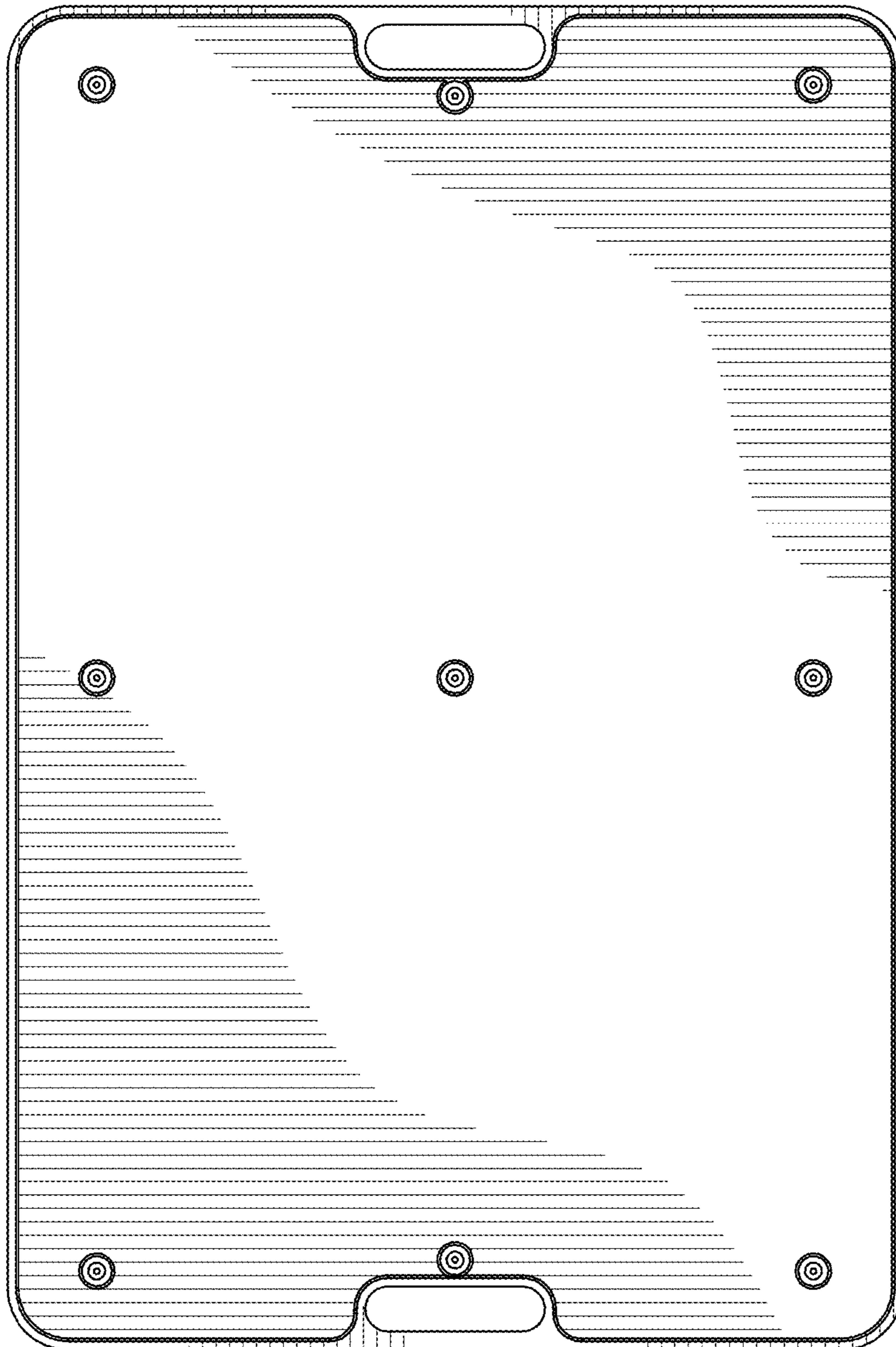


FIG. 4

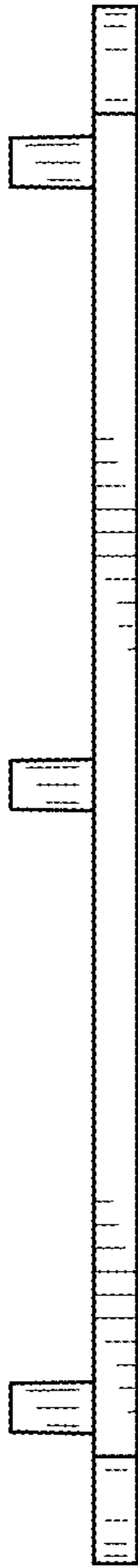


FIG. 5

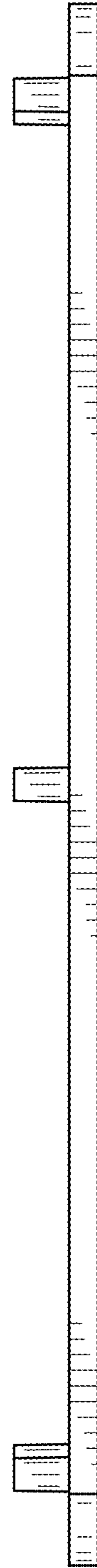


FIG. 6