



US00D773245S

(12) **United States Design Patent** (10) **Patent No.:** **US D773,245 S**
Squiers et al. (45) **Date of Patent:** **** Dec. 6, 2016**

(54) **KNIFE**

(71) Applicant: **Milwaukee Electric Tool Corporation**,
Brookfield, WI (US)

(72) Inventors: **Grant T. Squiers**, Cudahy, WI (US);
James A. Cemke, Jr., Richfield, WI
(US); **Matthew W. Naiva**, Wauwatosa,
WI (US); **Derek Rose**, Brookfield, WI
(US)

(73) Assignee: **MILWAUKEE ELECTRIC TOOL**
CORPORATION, Brookfield, WI (US)

(**) Term: **14 Years**

(21) Appl. No.: **29/522,776**

(22) Filed: **Apr. 2, 2015**

(51) **LOC (10) Cl.** **07-03**

(52) **U.S. Cl.**
USPC **D7/401.2; D7/649**

(58) **Field of Classification Search**
USPC D7/393-395, 401.2, 642-652,
693,D7/695-696; D8/93, 97-100, 104,
107, 300, D8/321; D22/117-118
CPC A01B 1/20; A01B 1/22; A22C 25/006;
A47G 21/06; A47G 21/065; A61B
17/3211; A61B 17/3213; B21D
53/64; B25G 1/10; B25G 3/36; B26B
1/00; B26B 1/08; B26B 1/10; B26B 3/00;
B26B 3/02; B26B 3/03; B26B
3/04; B26B 3/06; B26B 5/00; B26B
5/001; B26B 5/007; B26B 7/00; B26B
7/005; B26B 9/00; B26B 9/02; B26B
11/00; B26B 11/006; B26B 17/00; B26B
17/006; B26B 29/02

See application file for complete search history.

(56) **References Cited**

U.S. PATENT DOCUMENTS

2,783,536 A	3/1957	McQueary	
4,825,552 A *	5/1989	Bendickson	B25G 1/10 16/DIG. 12
D304,154 S *	10/1989	Osterhout	D8/107
D347,145 S *	5/1994	Neshat	D7/401.2
D581,241 S	11/2008	Freeman	
D582,243 S	12/2008	Freeman et al.	
D610,646 S	2/2010	Harsey, Jr. et al.	
D633,346 S	3/2011	Hirai	
D636,052 S *	4/2011	Freeman	D22/118
D661,367 S	6/2012	Seeds et al.	
D709,982 S *	7/2014	Freeman	D22/118

(Continued)

Primary Examiner — Ricky Pham

(74) *Attorney, Agent, or Firm* — Michael Best &
Friedrich LLP

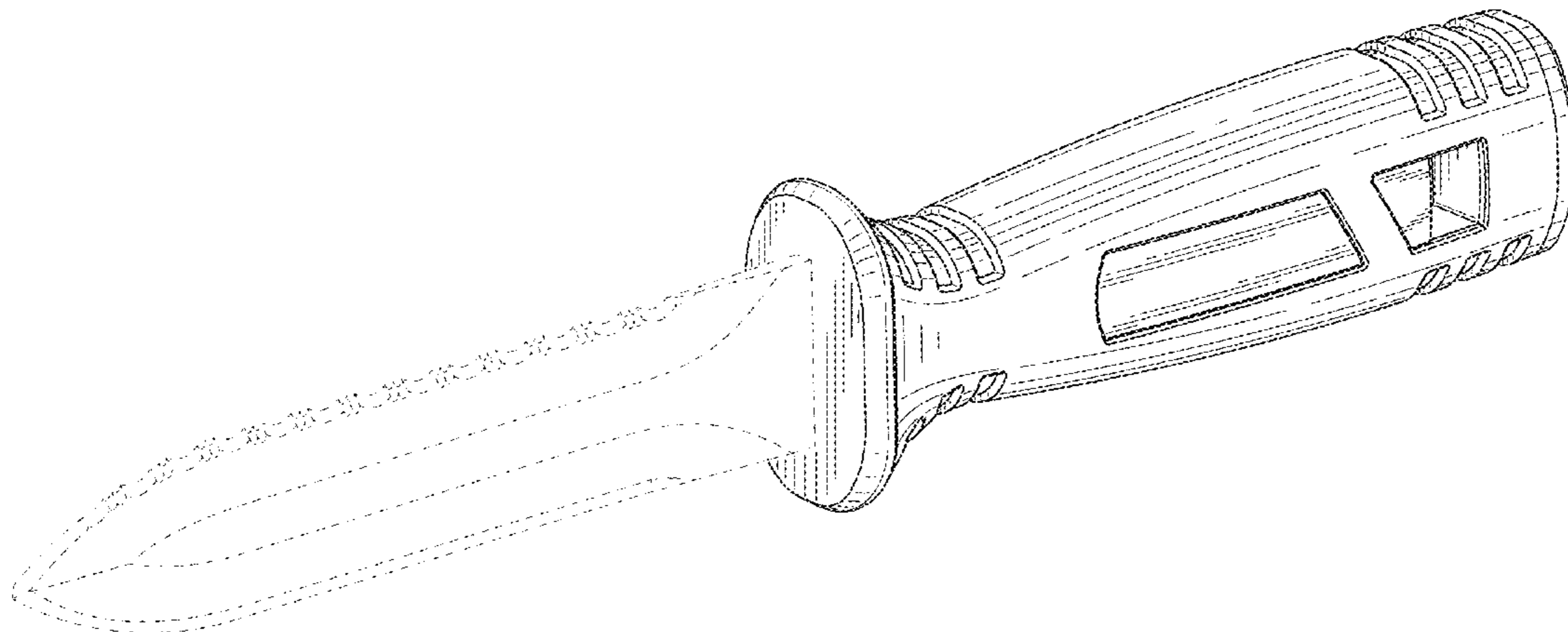
(57) **CLAIM**

We claim the ornamental design for a knife, as shown and described.

DESCRIPTION

FIG. 1 is a perspective view of a knife according to the invention.
FIG. 2 is a right side view of the knife shown in FIG. 1.
FIG. 3 is a left side view of the knife shown in FIG. 1.
FIG. 4 is a front end view of the knife shown in FIG. 1.
FIG. 5 is a back end view of the knife shown in FIG. 1.
FIG. 6 is a top plan view of the knife shown in FIG. 1; and,
FIG. 7 is a bottom plan view of the knife shown in FIG. 1.
The present application is directed to the design illustrated in the drawings. The elements shown in broken lines are included for the purpose of illustrating environment and form no part of the claimed design.

1 Claim, 4 Drawing Sheets



(56)

References Cited

U.S. PATENT DOCUMENTS

D713,923	S	9/2014	Salvitti et al.	
D737,110	S *	8/2015	Schuft	D8/99
D741,680	S *	10/2015	Hunter	D8/99
D750,949	S *	3/2016	Hofman	D8/104
2006/0080840	A1 *	4/2006	Freeman	B26B 3/06 30/151

* cited by examiner

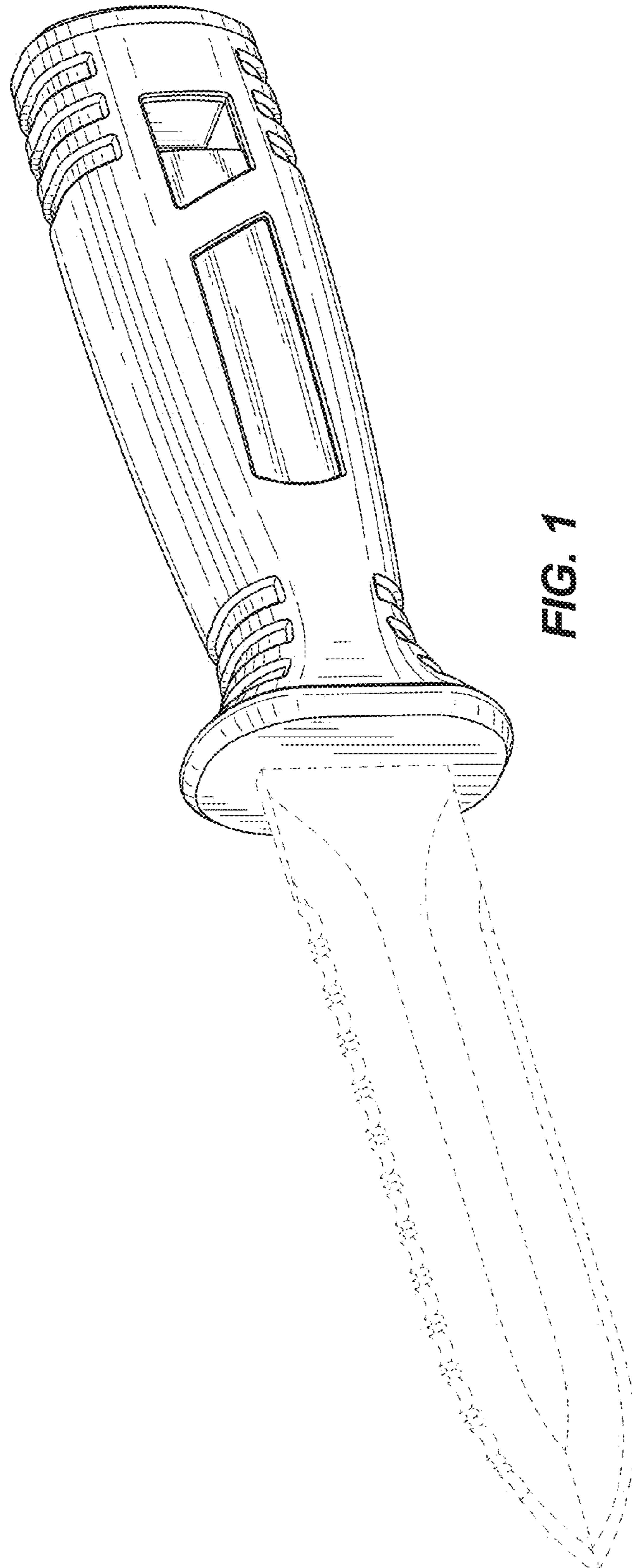


FIG. 1

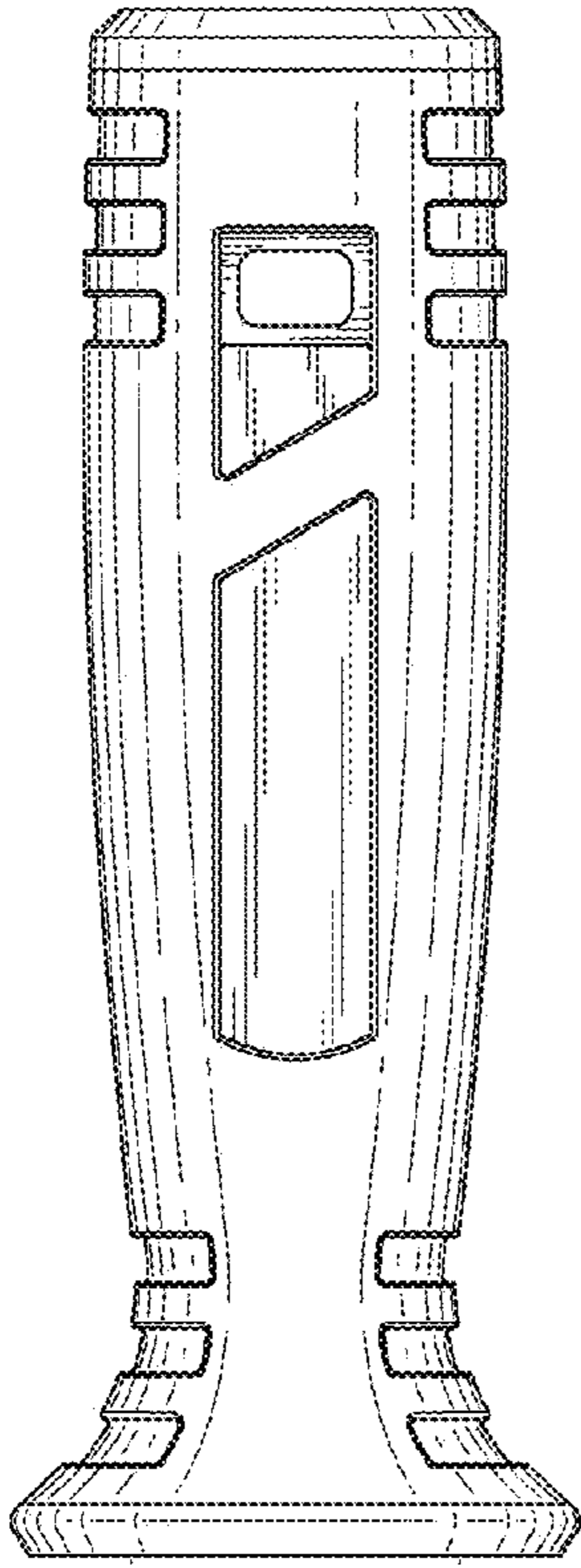


FIG. 2

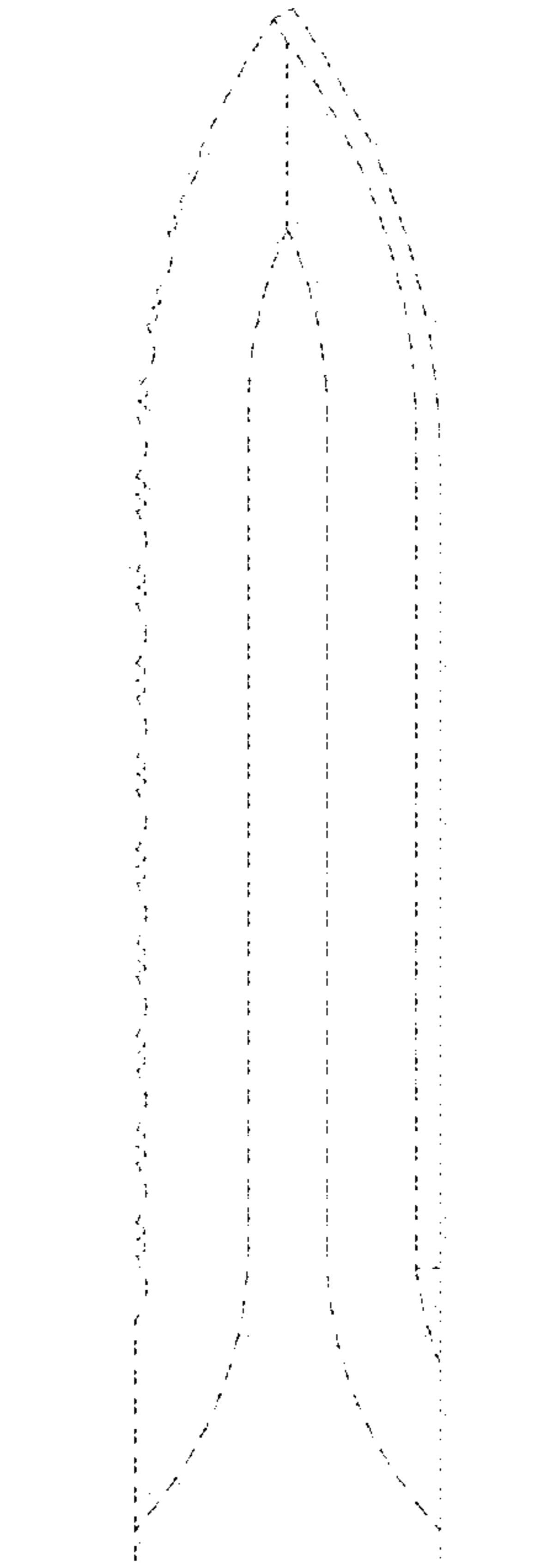
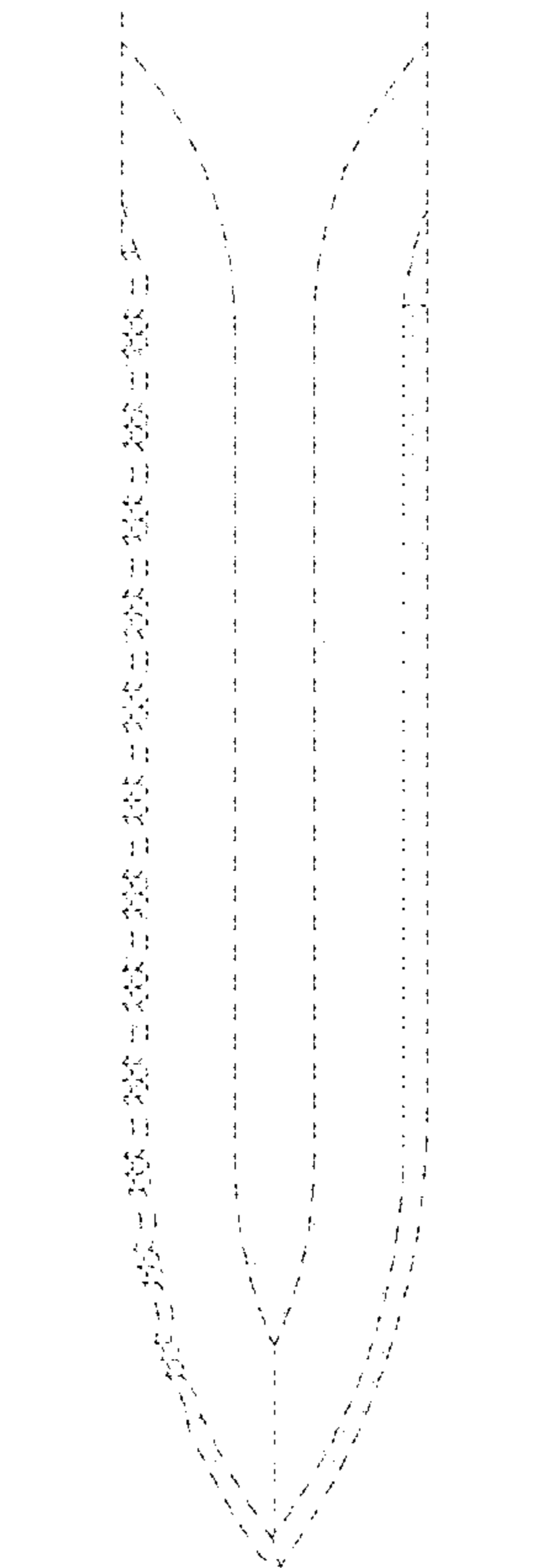
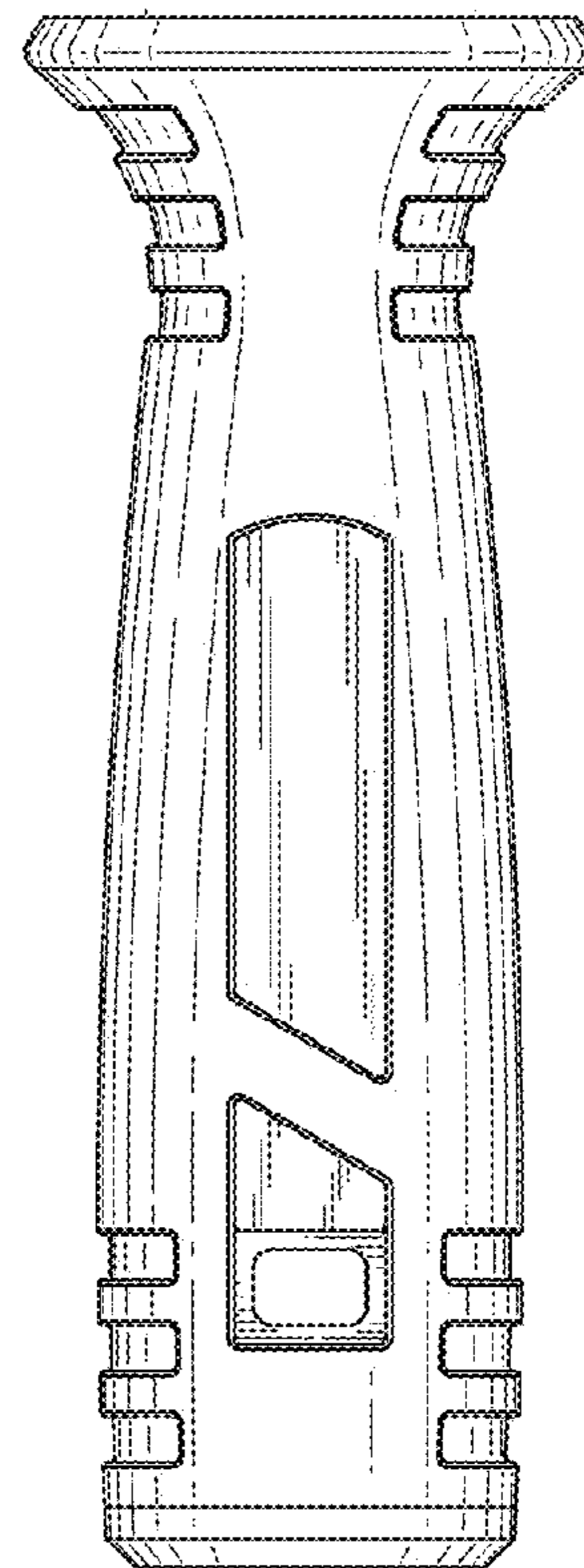


FIG. 3



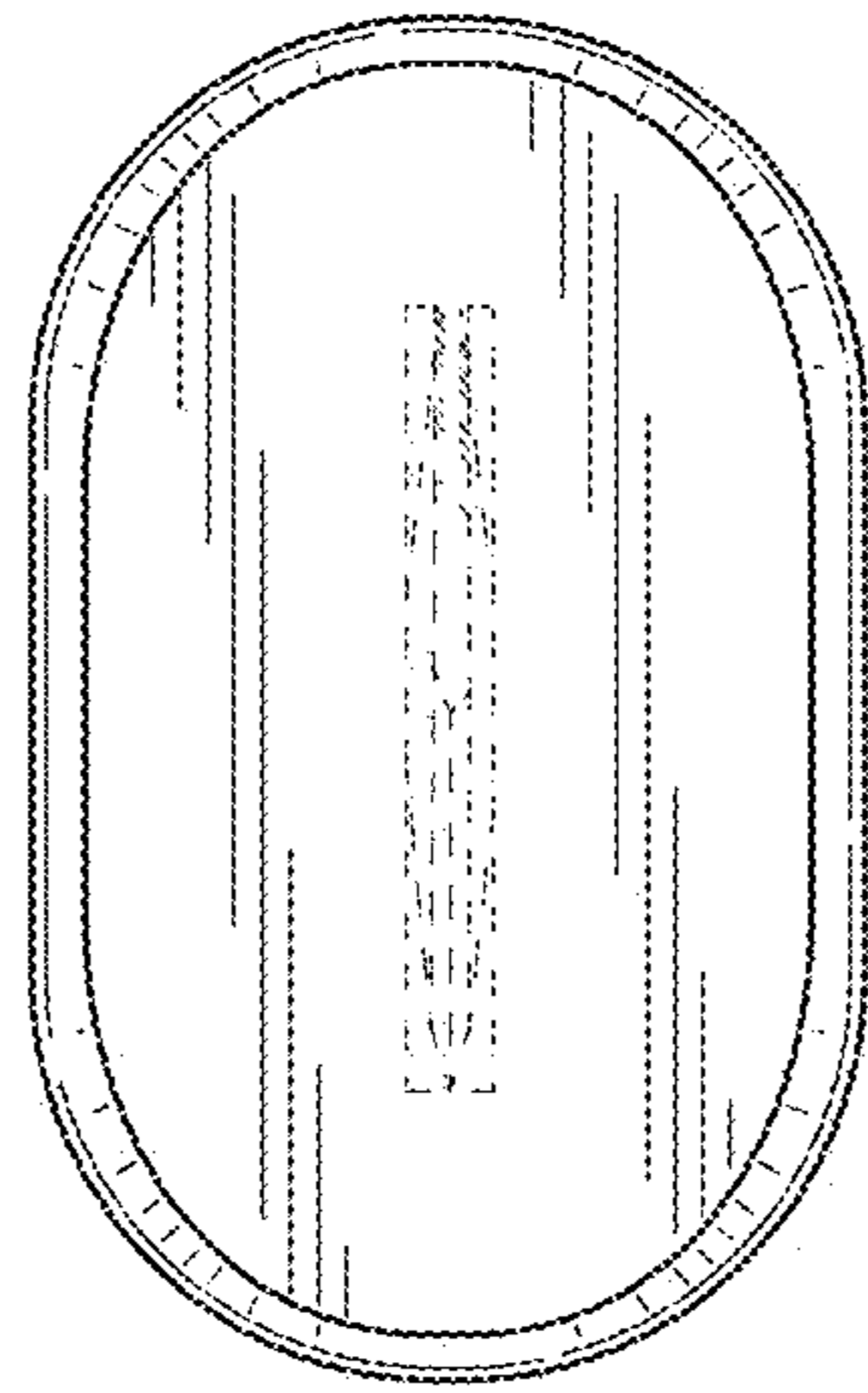


FIG. 4

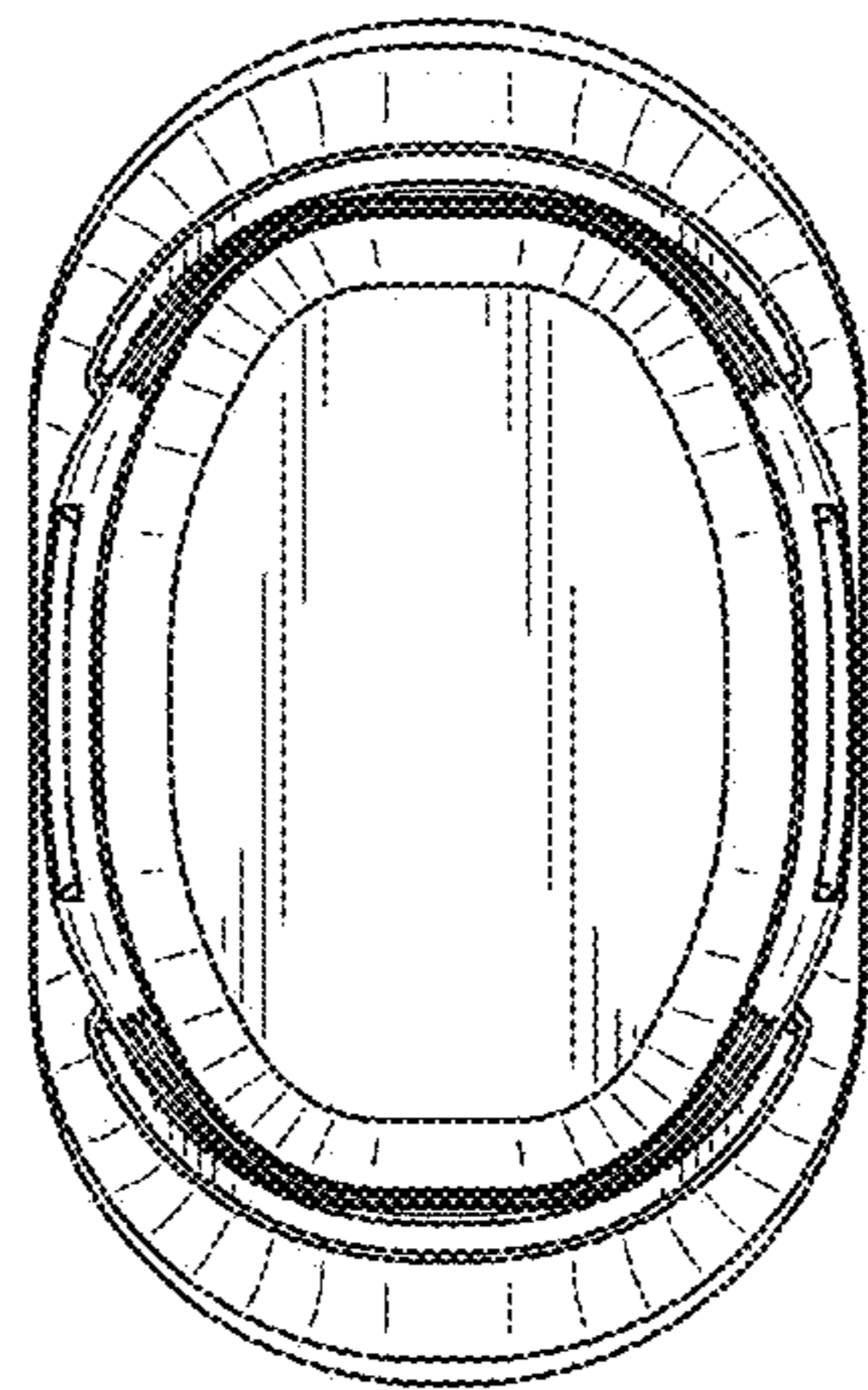


FIG. 5

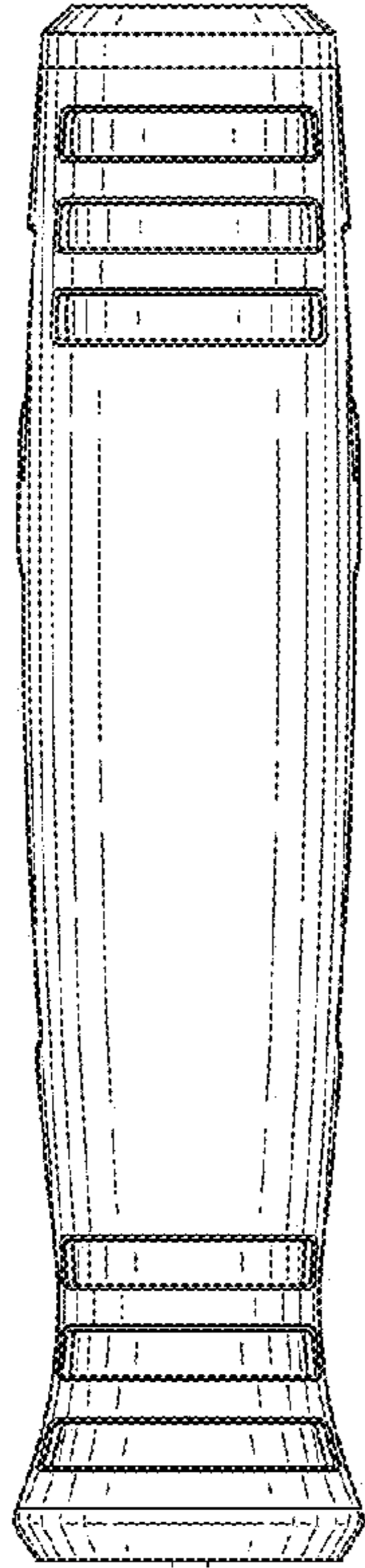


FIG. 6

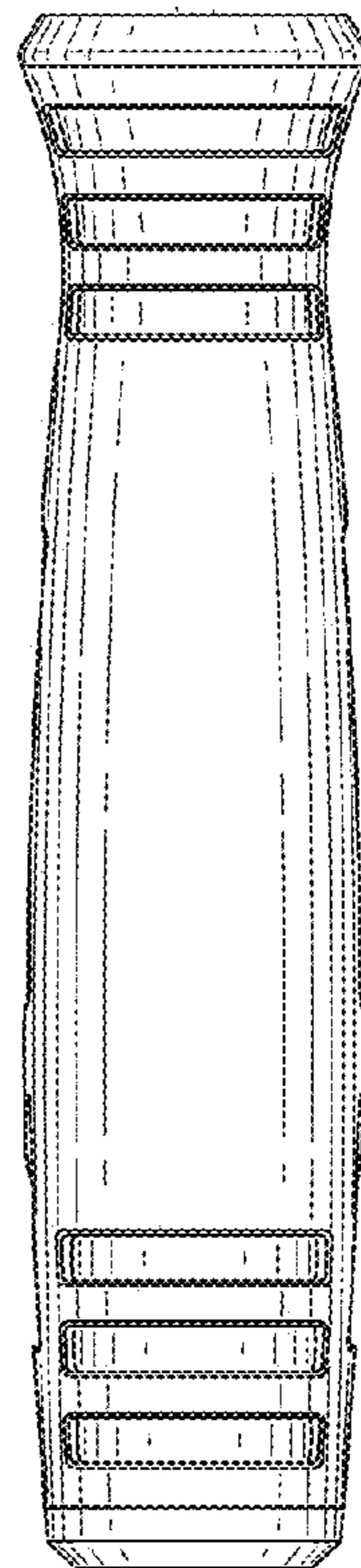


FIG. 7