



US00D773243S

(12) **United States Design Patent**  
**Lagneau et al.**

(10) **Patent No.:** **US D773,243 S**  
(45) **Date of Patent:** **\*\* Dec. 6, 2016**

(54) **ADORNED DRINKING GLASS BASE**

(71) Applicants: **Jean Pierre Lagneau**, Cartigny (CH);  
**Laurent Vialette**, Cartigny (CH)

(72) Inventors: **Jean Pierre Lagneau**, Cartigny (CH);  
**Laurent Vialette**, Cartigny (CH)

(\*\*) Term: **14 Years**

(21) Appl. No.: **29/507,048**

(22) Filed: **Oct. 23, 2014**

(30) **Foreign Application Priority Data**

Apr. 24, 2014 (WO) ..... 36901

(51) **LOC (10) Cl.** ..... **07-01**

(52) **U.S. Cl.**

USPC ..... **D7/396.6; D7/396.2; D7/387**

(58) **Field of Classification Search**

USPC ..... D7/507, 509, 510, 513, 523,  
532-537, D7/524-528, 213, 396.4, 387,  
389, 393, 395, D7/668, 608, 396.2, 396.6;  
D9/533, 740, 439, D9/741, 742, 743, 747,  
440, 436, 417, 434, D9/499, 451, 457,  
441, 667, 655, 661, 662; 220/592.16,  
592.17, 592.2, 592.26, 592.27, 220/703,  
4.26, 4.27; 215/387, 388, 400, 382;  
D24/196, 197; 206/217, 519; 99/459;  
D23/222; D26/14; D20/22, 23, 26, 29;  
D21/443, 490, 496, 628; D11/225, 241,  
D11/204, 33, 44, 63, 67, 115; D10/9;  
D8/38, D8/305, 324, 365, 387; D3/207,  
211, 270, D3/271.1; D1/106, 107, 115  
(Continued)

(56) **References Cited**

**U.S. PATENT DOCUMENTS**

D32,223 S \* 2/1900 Sutton ..... D7/387  
D73,051 S \* 7/1927 Schmidt ..... D7/525

(Continued)

**OTHER PUBLICATIONS**

Daisy Wine Glass Markers from Cork Pops <http://www.nwitimes.com/lifestyles/home-and-garden/> Jul. 11, 2012.\*

*Primary Examiner* — Marianne Pandozzi

*Assistant Examiner* — Jae Liang

(74) *Attorney, Agent, or Firm* — Dority & Manning, P.A.

(57) **CLAIM**

The ornamental design for an adorned drinking glass base, as shown and described.

**DESCRIPTION**

FIG. 1 is a perspective view of a first embodiment of an adorned drinking glass base;

FIG. 2 is a top view thereof taken along line 2-2 of FIG. 1; FIG. 3 is a bottom view thereof with a translucent base and with the unclaimed stem portion removed for ease of illustration;

FIG. 4 is a side view thereof taken along line 4-4 of FIG. 2; FIG. 5 is another side view thereof taken along line 5-5 of FIG. 2;

FIG. 6 is a perspective view of a second embodiment of an adorned drinking glass base;

FIG. 7 is a top view thereof taken along line 7-7 of FIG. 6; FIG. 8 is a bottom view thereof with a translucent base and with the unclaimed stem portion removed for ease of illustration;

FIG. 9 is a side view thereof taken along line 9-9 of FIG. 7; FIG. 10 is another side view thereof taken along line 10-10 of FIG. 7;

FIG. 11 is a perspective view of a third embodiment of an adorned drinking glass base;

FIG. 12 is a top view taken along line 12-12 of FIG. 11; FIG. 13 is a bottom view thereof with a translucent base and with the unclaimed stem portion removed for ease of illustration;

FIG. 14 is a side view thereof taken along line 14-14 of FIG. 12;

FIG. 15 is another side view thereof taken along line 15-15 of FIG. 12; and,

(Continued)

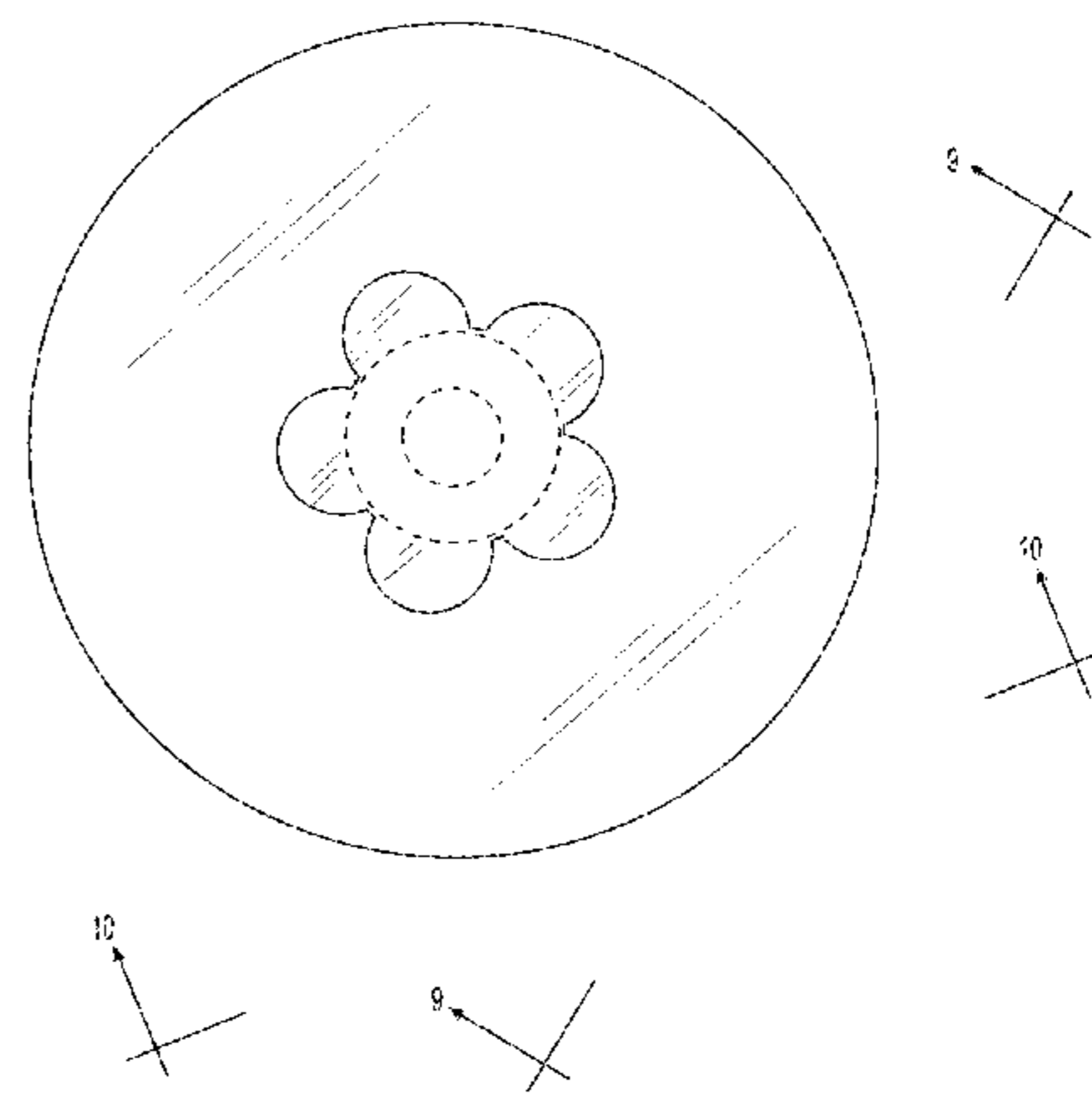
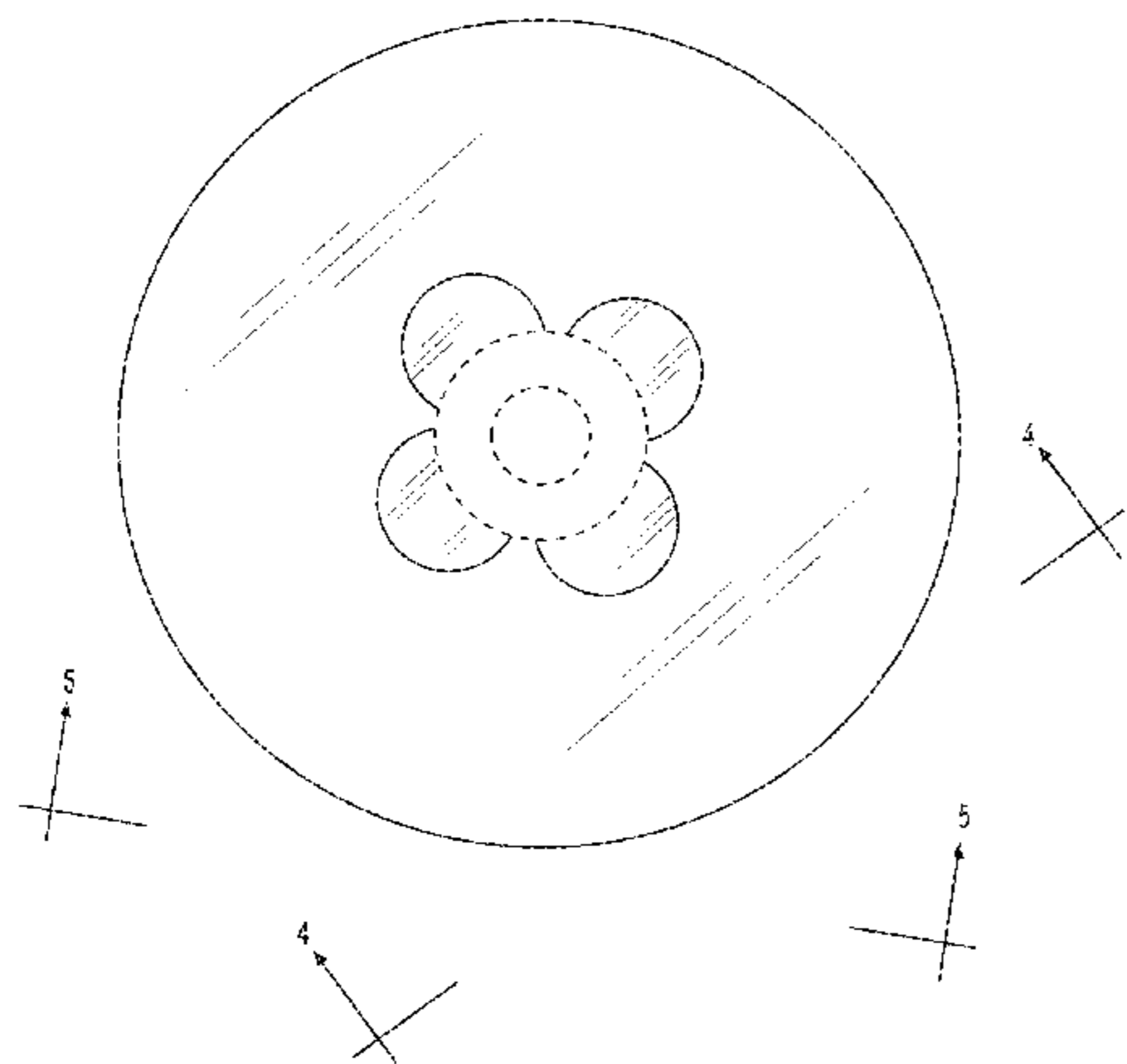


FIG. 16 is a bottom view of each embodiment with an opaque base.  
The broken lines in the drawings depict portions of the adorned drinking glass base that form no part of the claimed design.

**1 Claim, 16 Drawing Sheets**

**(58) Field of Classification Search**

CPC A47G 19/22; A47G 19/2205; A47G 19/2266;  
A47G 19/2272; A47G 19/23; A47G  
19/2288; A61J 7/0046; B29L 2031/7132;  
B65D 1/265; B65D 21/02

See application file for complete search history.

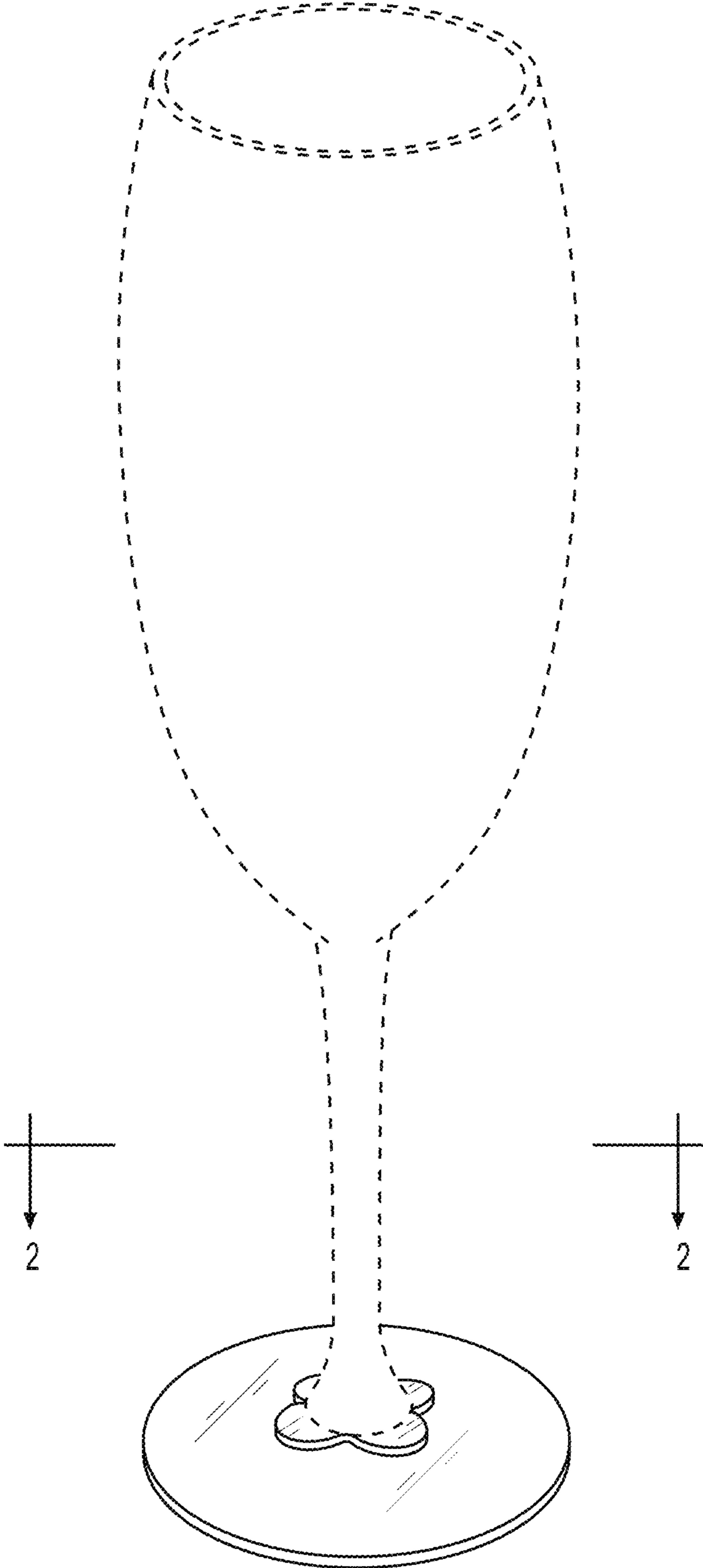
**(56) References Cited**

**U.S. PATENT DOCUMENTS**

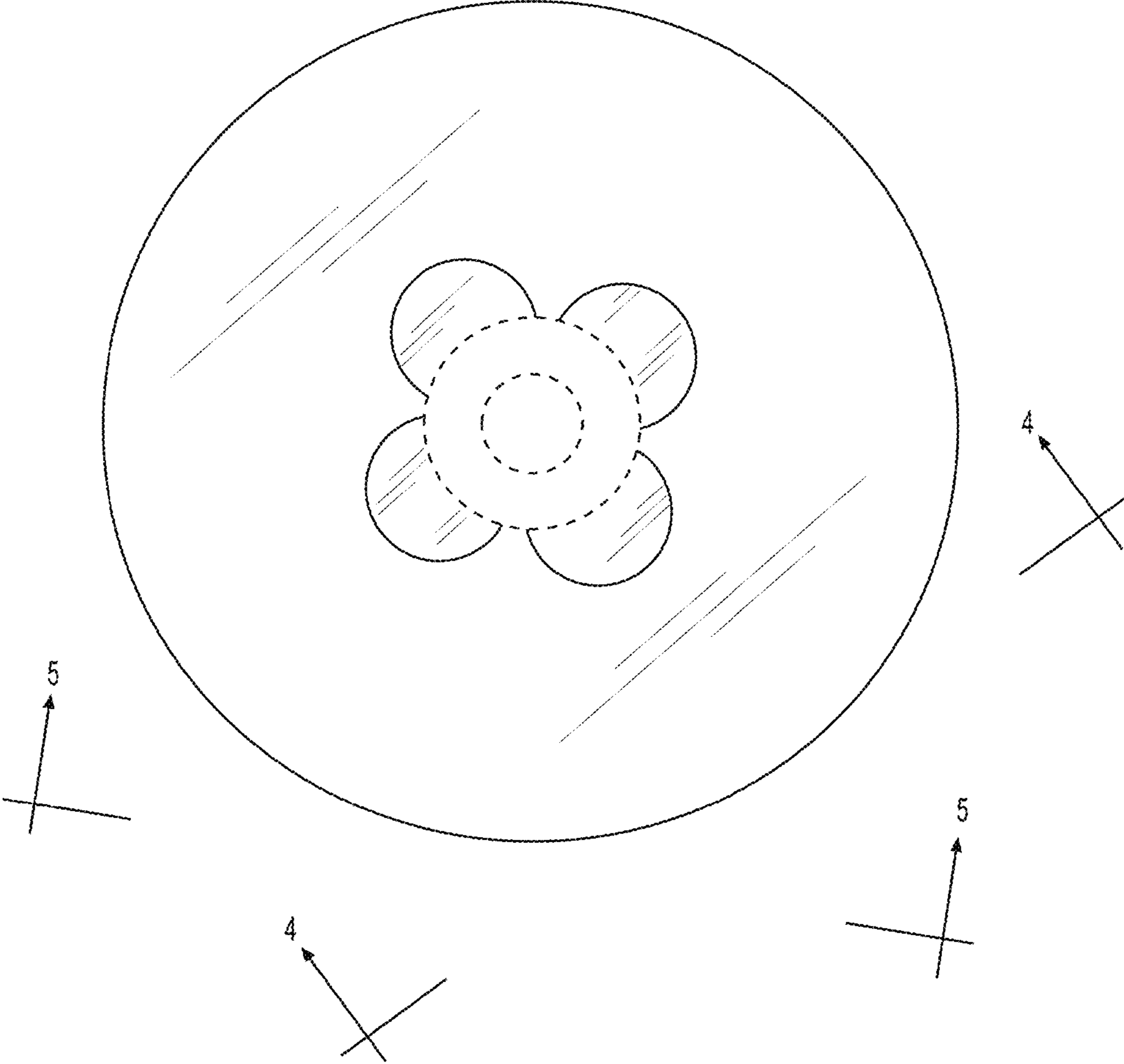
D87,705 S \* 9/1932 Bedford ..... D7/522  
D91,166 S \* 12/1933 Bottome ..... D7/528  
D100,622 S \* 8/1936 Cunningham ..... D7/525  
D126,363 S \* 4/1941 Cunningham ..... D7/525  
D160,355 S \* 10/1950 Yutzey ..... D7/526  
D165,267 S \* 11/1951 Carlson ..... D11/153  
D181,657 S \* 12/1957 Kimble ..... D7/527  
3,605,438 A \* 9/1971 Chalson ..... A44C 1/00  
428/28  
D271,653 S 12/1983 Boehm  
D277,160 S \* 1/1985 Antone ..... 7/151  
D299,299 S \* 1/1989 Durand ..... D7/527  
D306,073 S \* 2/1990 Klitsner ..... D21/468  
D308,791 S \* 6/1990 Durand ..... D7/526  
D310,325 S \* 9/1990 Moglia ..... D9/525  
D357,510 S \* 4/1995 Kushner ..... D21/503

D380,017 S \* 6/1997 McGowan ..... D21/443  
D380,122 S \* 6/1997 Wong ..... D7/513  
D394,784 S \* 6/1998 Janku ..... D7/396.2  
D403,072 S \* 12/1998 Rogers Huante ..... D24/194  
D404,608 S 1/1999 Michaeli  
D413,228 S 8/1999 Michaeli  
D440,016 S \* 4/2001 Thorpe ..... D28/77  
D452,121 S \* 12/2001 Teichelman ..... D21/488  
D467,629 S \* 12/2002 Manville ..... D21/496  
D469,822 S \* 2/2003 Manville ..... D21/489  
D470,194 S \* 2/2003 Manville ..... D21/496  
D472,281 S \* 3/2003 Manville ..... D21/488  
D472,589 S \* 4/2003 Manville ..... D21/490  
D484,747 S \* 1/2004 McMahon, III ..... D7/387  
D492,581 S \* 7/2004 Fahy ..... D8/378  
D501,896 S \* 2/2005 Manville ..... D21/490  
D505,846 S \* 6/2005 Toma ..... D8/38  
D522,806 S \* 6/2006 Abrams ..... D7/213  
D538,033 S \* 3/2007 Schaeken ..... D3/207  
D552,927 S 10/2007 O'Leary et al.  
D556,823 S \* 12/2007 Lombard ..... D19/1  
D558,987 S \* 1/2008 Gildersleeve ..... D6/306  
D566,481 S \* 4/2008 Brock ..... D7/213  
D607,176 S \* 1/2010 Roskam ..... D1/115  
D610,227 S \* 2/2010 Hunter ..... D23/222  
D616,784 S \* 6/2010 Castaline ..... D11/67  
D621,127 S \* 8/2010 Roskam ..... D1/115  
D631,694 S 2/2011 Baratte  
D640,917 S \* 7/2011 Okada ..... D11/225  
D642,830 S \* 8/2011 Buckles ..... D15/79  
D645,691 S \* 9/2011 Heroux ..... D6/601  
D661,965 S \* 6/2012 Han ..... D8/305  
D681,308 S \* 5/2013 Firsing-Paris ..... D1/105  
D693,888 S \* 11/2013 Webster ..... D21/490  
D721,962 S \* 2/2015 Skaggs ..... D9/451  
D727,742 S \* 4/2015 Jacobs ..... D9/451  
D737,596 S \* 9/2015 Chou ..... D6/580

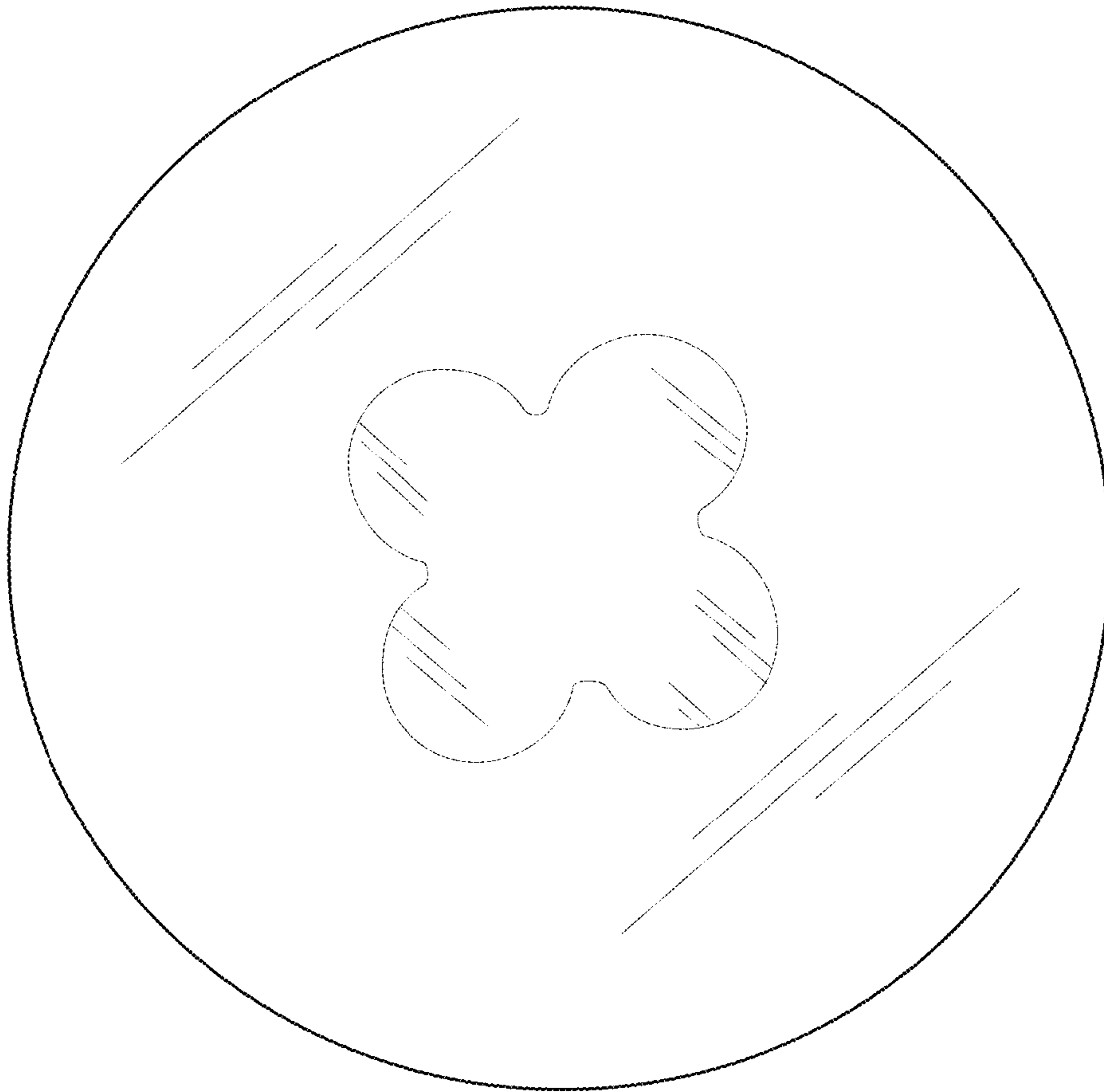
\* cited by examiner



**FIG. 1**

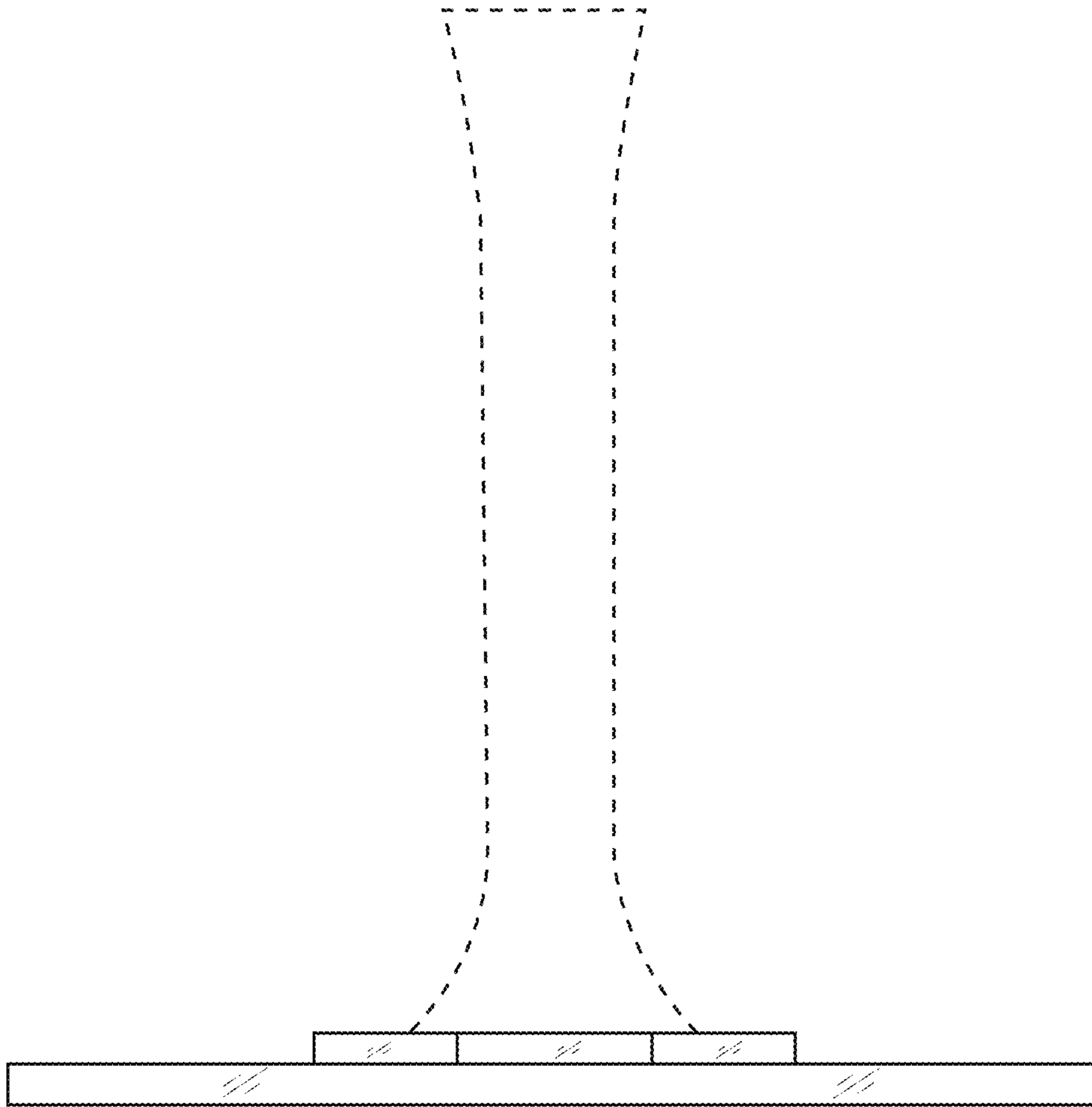


**FIG. 2**

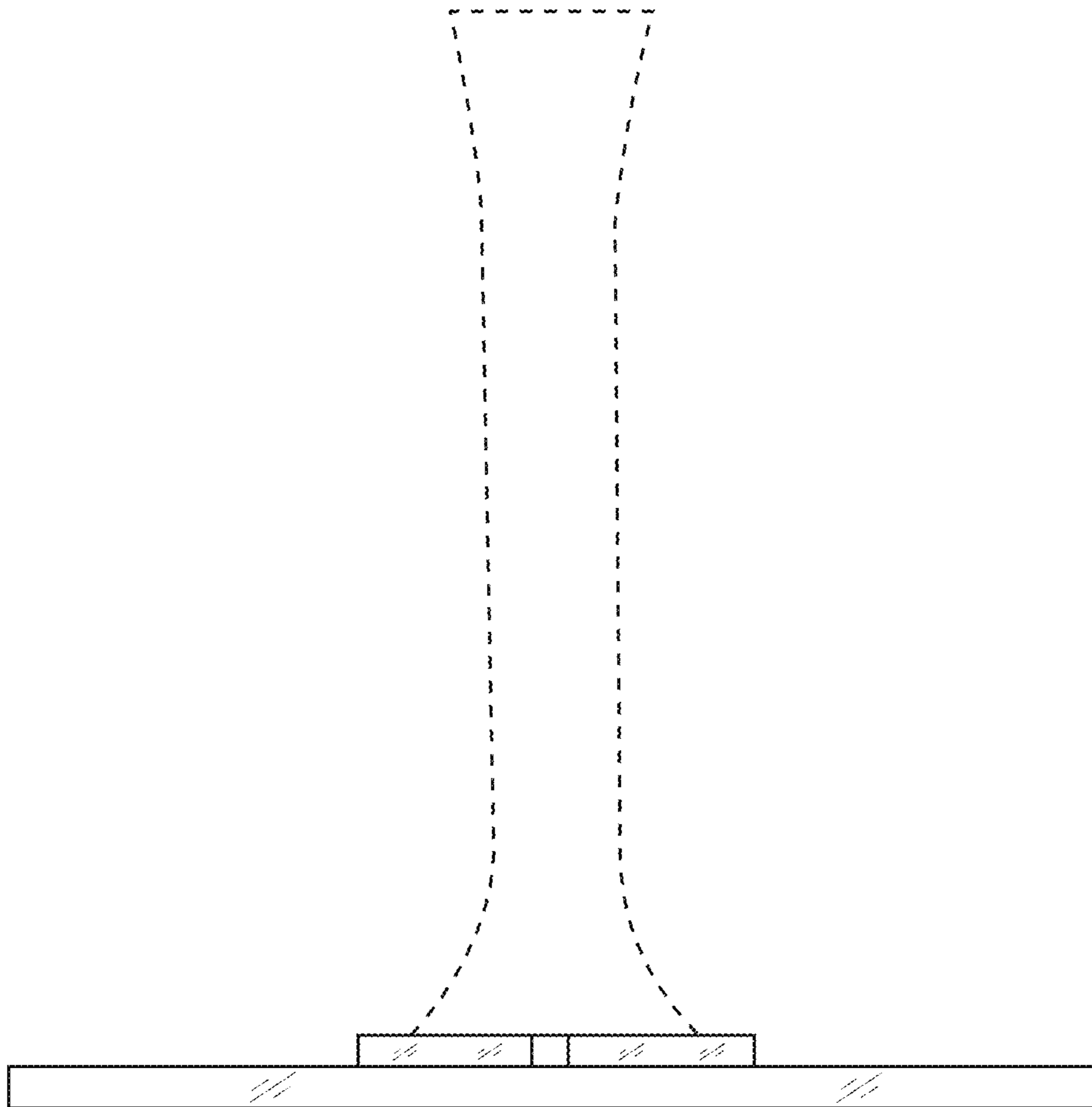


**FIG. 3**

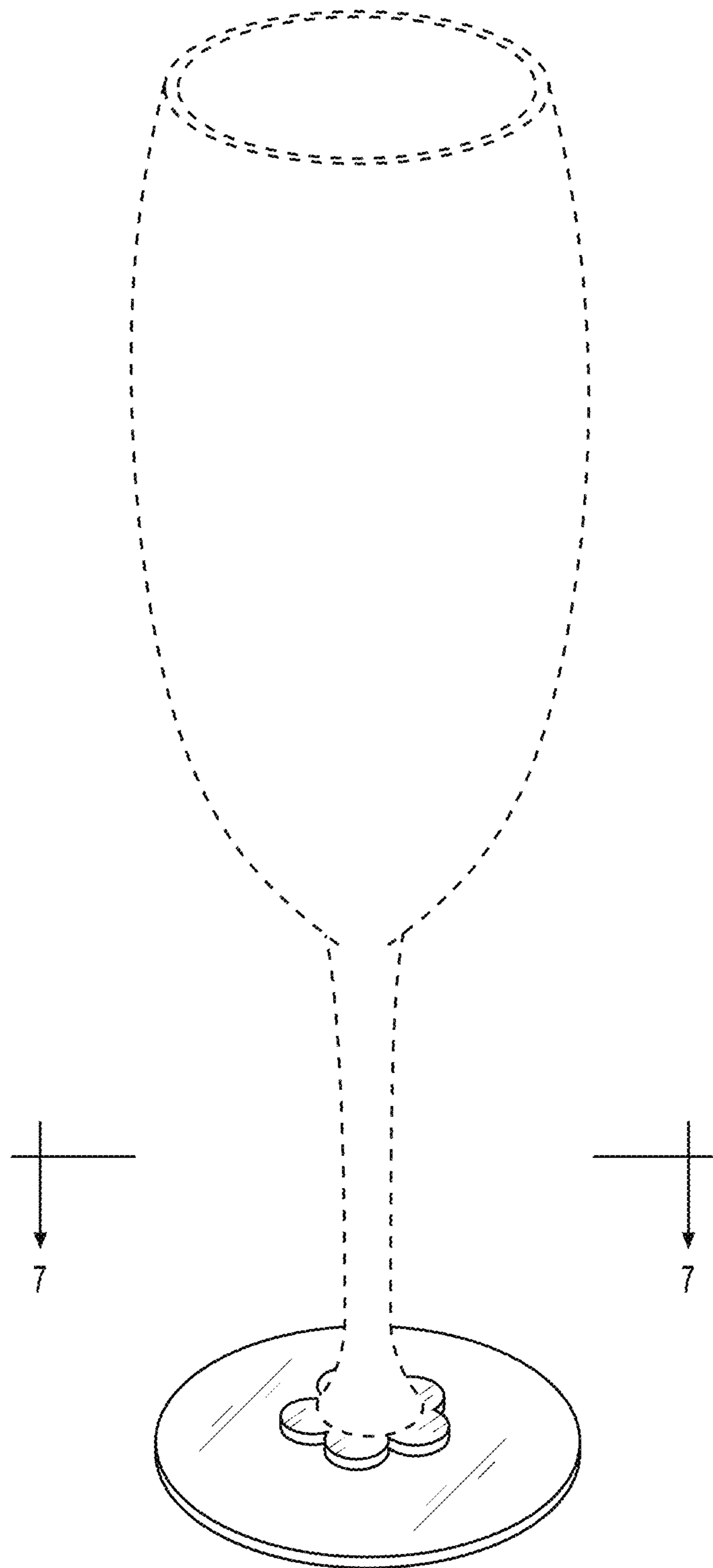




**FIG. 4**

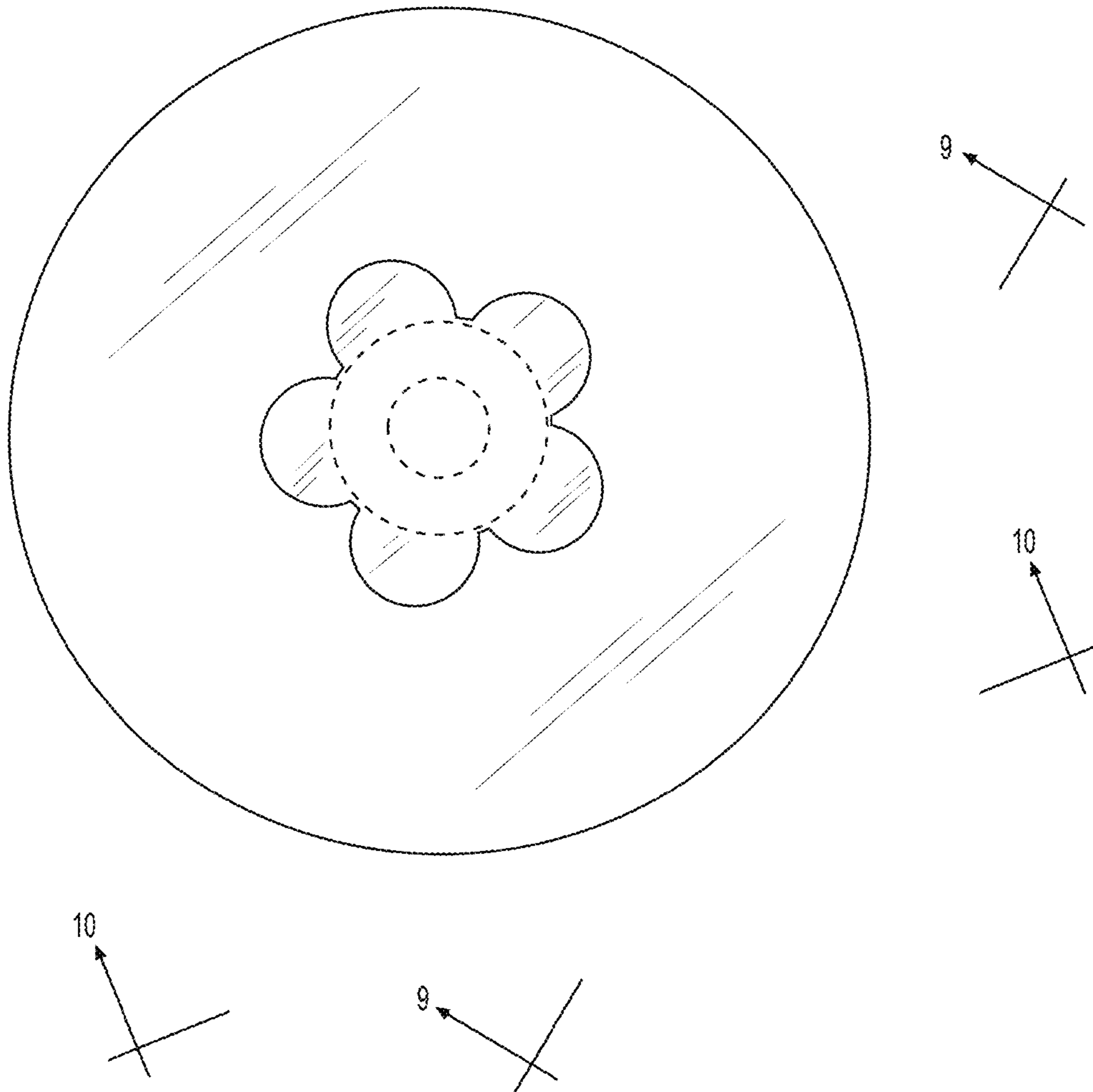


**FIG. 5**

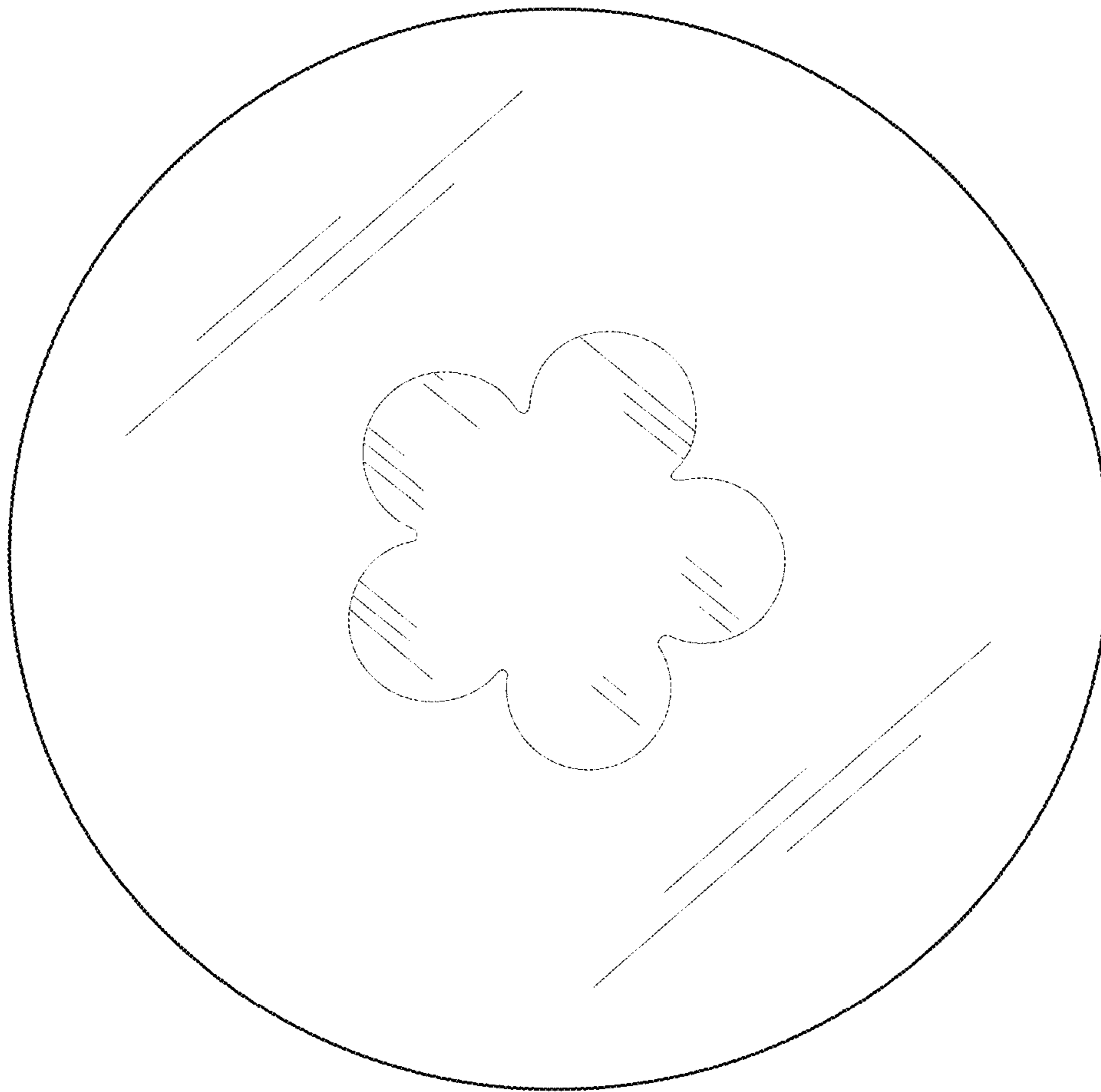


**FIG. 6**

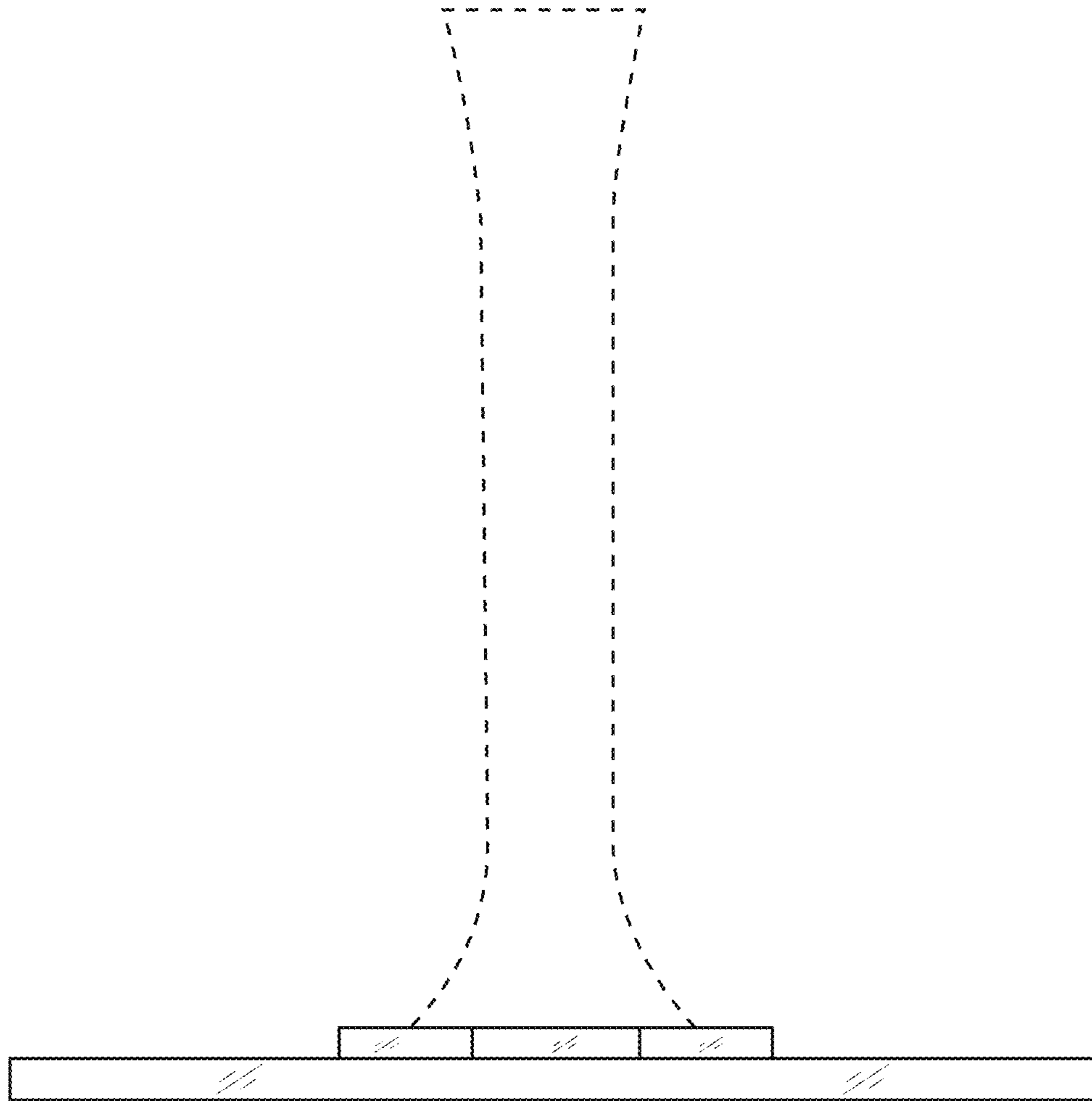




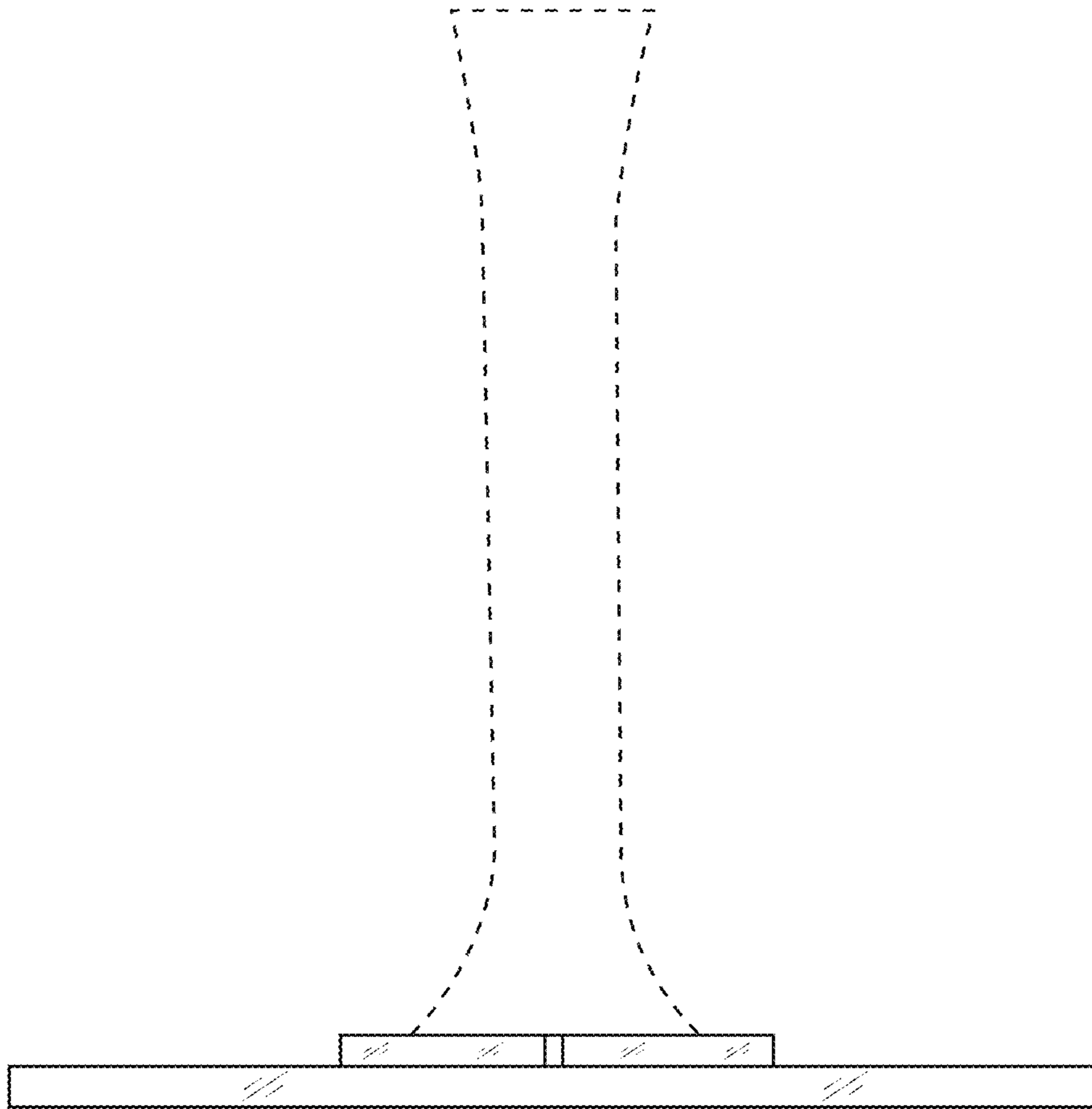
**FIG. 7**



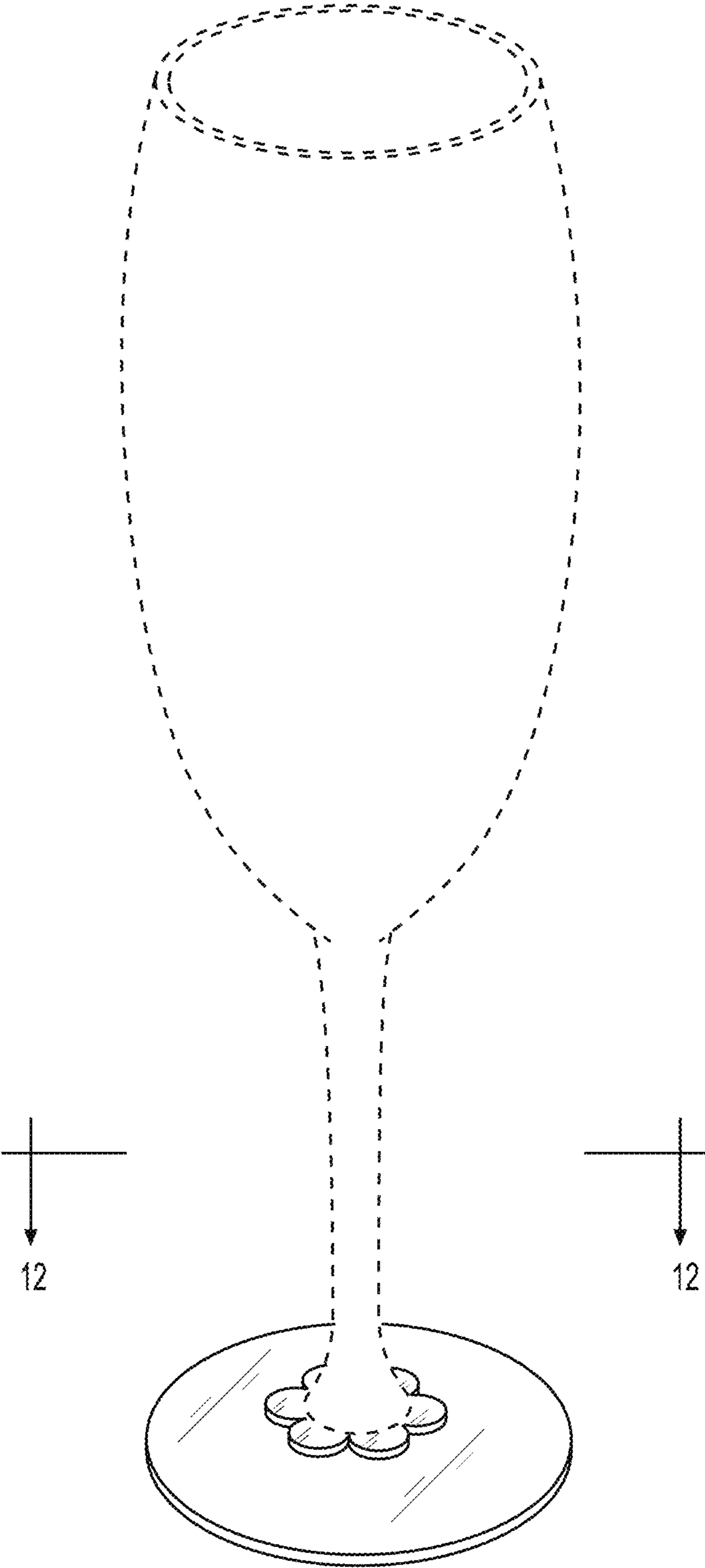
**FIG. 8**



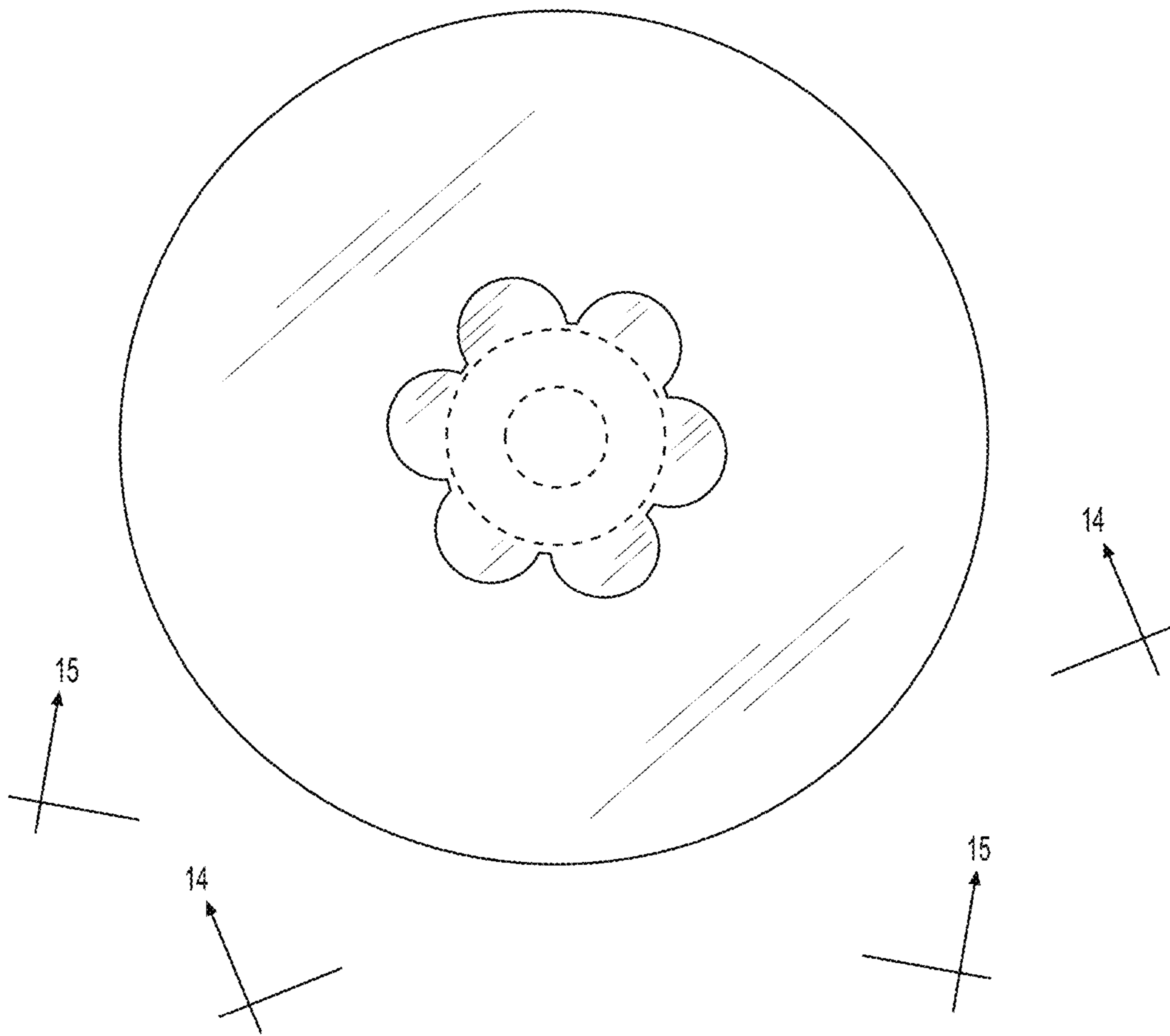
**FIG. 9**



**FIG. 10**

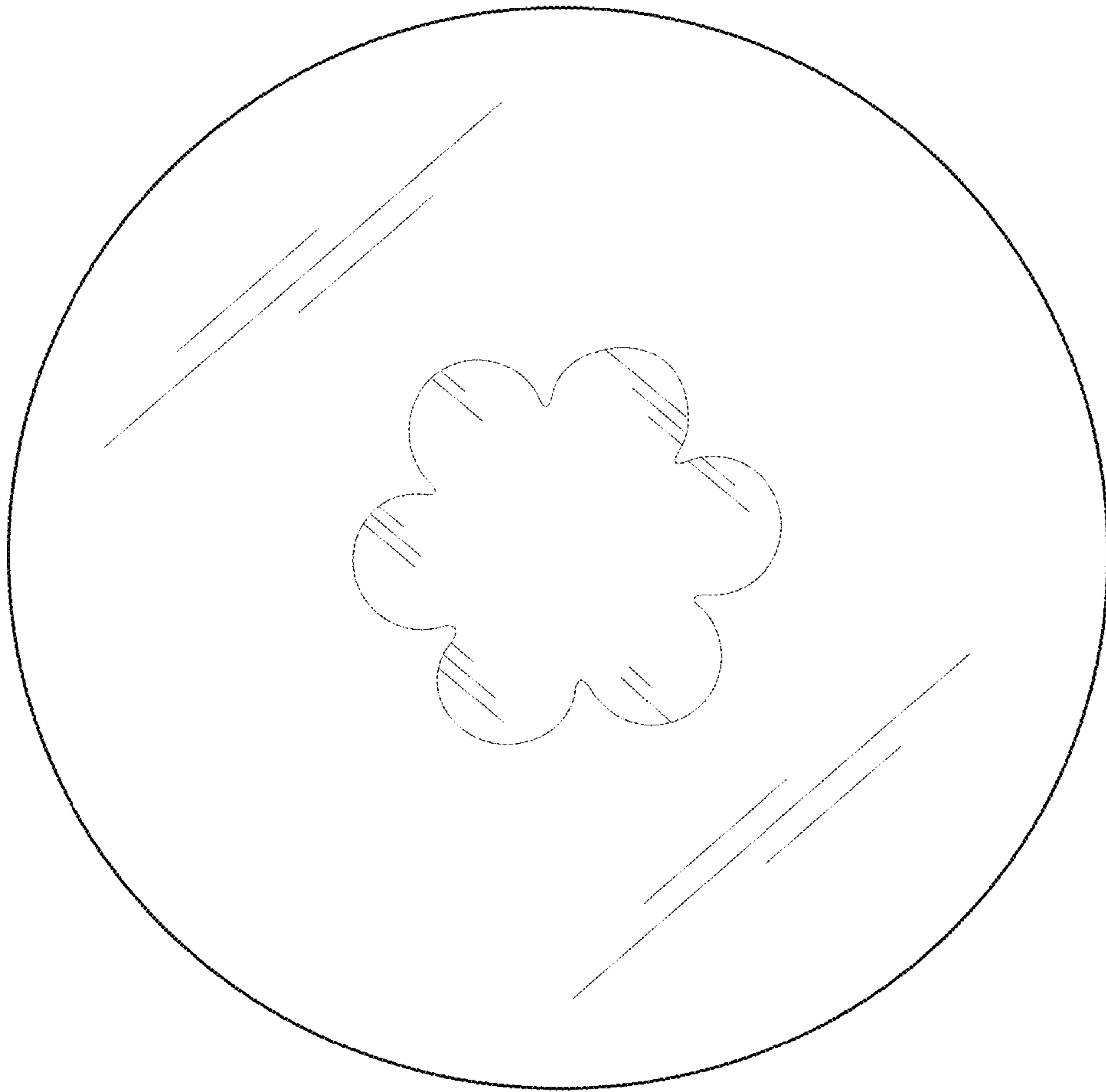


**FIG. 11**

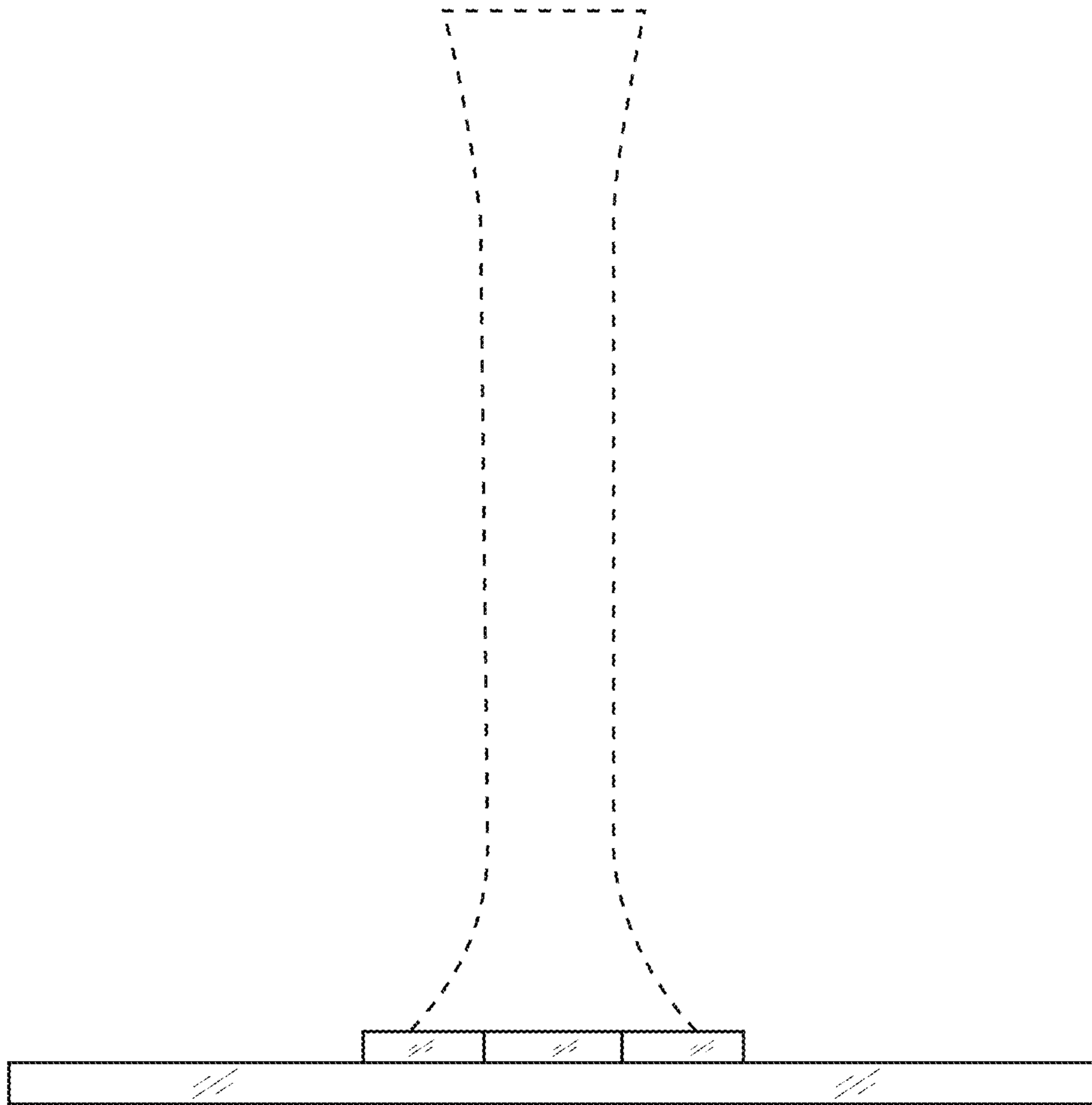


**FIG. 12**

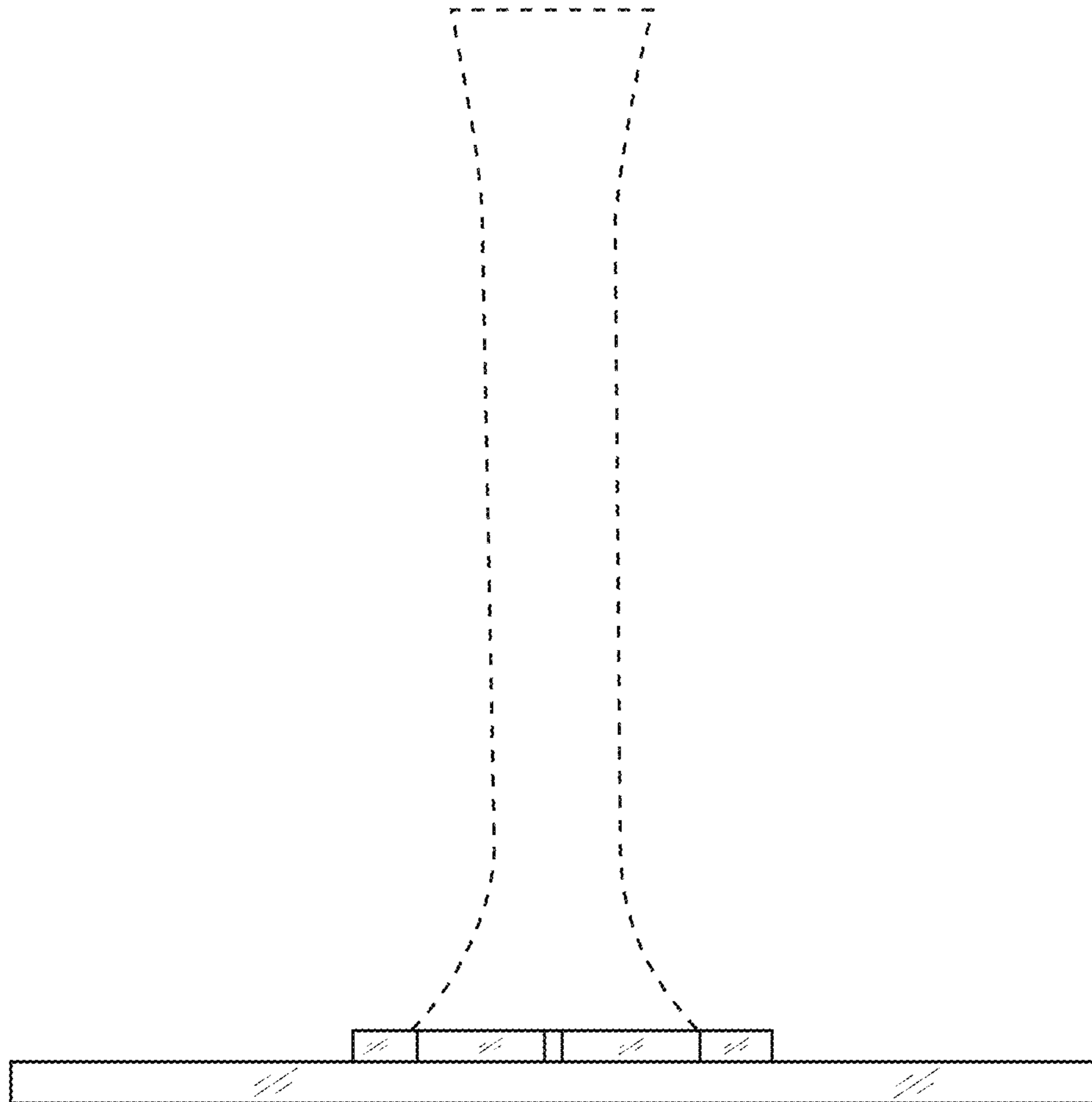




**FIG. 13**



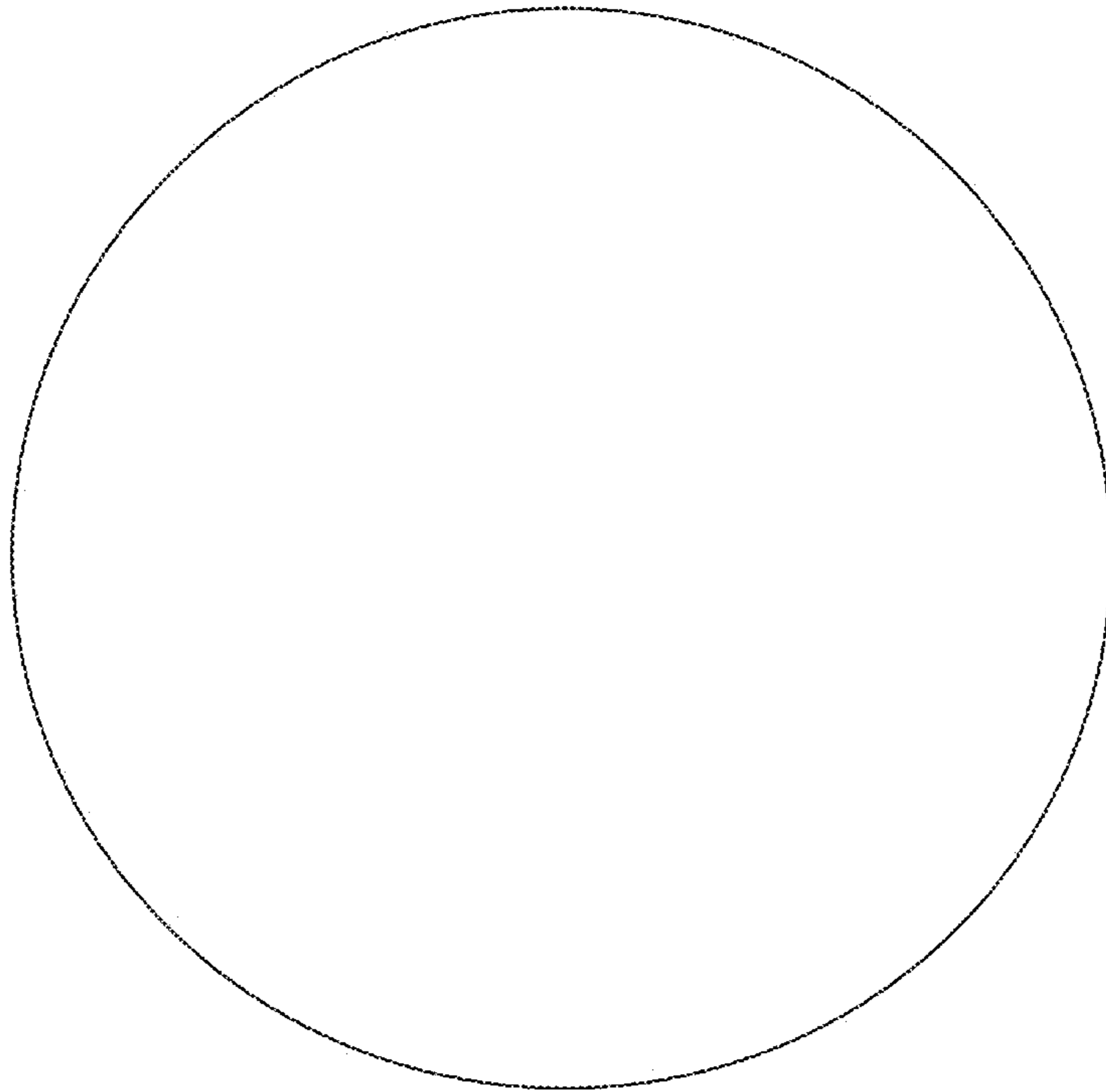
**FIG. 14**



**FIG. 15**

Replacement Sheet

16/16



**FIG. 16**