



US00D773241S

(12) **United States Design Patent** (10) **Patent No.:** **US D773,241 S**
Arseneau et al. (45) **Date of Patent:** **** Dec. 6, 2016**

(54) **HANDLE PORTION**

(71) Applicants: **Allen Arseneau**, Hingham, MA (US);
Diana Arseneau, Hingham, MA (US)

(72) Inventors: **Allen Arseneau**, Hingham, MA (US);
Diana Arseneau, Hingham, MA (US)

(**) Term: **15 Years**

(21) Appl. No.: **29/539,430**

(22) Filed: **Sep. 14, 2015**

Related U.S. Application Data

(63) Continuation of application No. 29/516,541, filed on Feb. 3, 2015, now Pat. No. Des. 757,499, and a continuation of application No. 14/279,908, filed on May 16, 2014.

(51) **LOC (10) Cl.** **07-02**

(52) **U.S. Cl.**
USPC **D7/394**; D47/393; D47/396.2; D47/536;
D8/107; D8/300

(58) **Field of Classification Search**

USPC D7/310, 312, 314, 315, 316, 317, 318, D7/319, 320, 591, 592, 598, 600, 622, 667, D7/668, 392, 392.1, 396.6, 503, 507, 509, 510, D7/511, 514, 515, 522, 513, 523, 533, 559, D7/535, 532, 403, 596, 536, 537, 600.2, 700, D7/401, 682, 394, 524, 525, 589, 397, 642, D7/664, 395, 393, 396.2; D9/500, 678, 669, D9/715, 719, 536, 528, 531, 534, 435, 440, D9/443, 555, 453, 452, 446, 540, 530, 526, D9/554, 776; 215/380, 382, 398, 396, 12.1; 220/495.03, 23, 494, 717, 783, 780, 788, 220/792, 752, 710.5; 206/217; 229/400, 402, 229/404; 211/2, 6; D10/46.2; D23/233; D8/71, D8/94, 107, 315, 313, 311, 306, 301, 300, 303, D8/70.1, 321, 90, 93; D3/202, 246
CPC A47J 31/14; A47J 36/14; A47J 31/005; A47J 31/00; A47G 19/14; A47G 19/2272
See application file for complete search history.

(56) **References Cited**

U.S. PATENT DOCUMENTS

482,630 A * 9/1892 Fowler A47J 27/0802
126/389.1
D101,865 S 11/1936 Fuerst
D102,166 S * 12/1936 Kirstein 30/329
D157,859 S 3/1950 Glukes
D168,218 S 11/1952 Falk
2,979,225 A 4/1961 Noffsinger
3,877,614 A 4/1975 Murphy
D253,214 S 10/1979 Wilson
D259,698 S * 6/1981 MacNeill 81/177.1
D265,279 S 7/1982 Wright
D266,819 S 11/1982 Doyel
D279,948 S 8/1985 Weernink
4,643,326 A 2/1987 Klingler
D290,921 S 7/1987 Dardashti
D291,405 S 8/1987 Finesman et al.

(Continued)

FOREIGN PATENT DOCUMENTS

TW M448956 U 3/2013

OTHER PUBLICATIONS

Granny Jo Dignity Mug, CaregiverProducts.com, <<http://web.archive.org/web/20121210203348/http://www.caregiverproducts.com/granny-jo-dignity-mug.html>>, Retrieved from the Internet on Nov. 14, 2014.

Primary Examiner — Marianne Pandozzi

Assistant Examiner — Jae Liang

(74) *Attorney, Agent, or Firm* — Lando & Anastasi, LLP;
John N. Anastasi; William J. Seymour

(57) **CLAIM**

The ornamental design for a handle portion, as shown and described.

DESCRIPTION

FIG. 1 is a top perspective view of a handle portion showing our new design;

FIG. 2 is a right side view thereof;

(Continued)

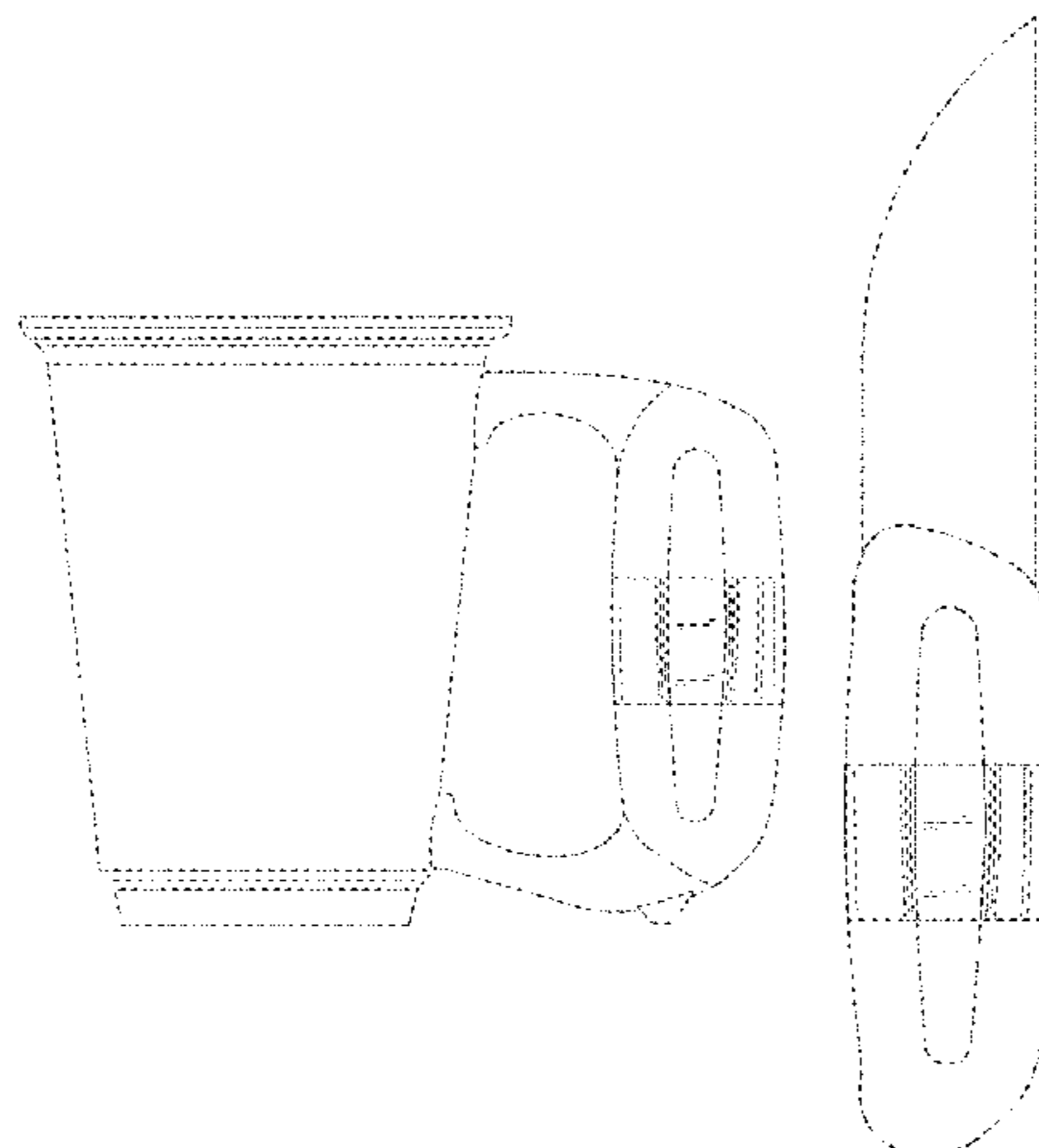


FIG. 3 is a front view thereof;
 FIG. 4 is a rear view thereof;
 FIG. 5 is a front view thereof in use with an alternative cup;
 and,
 FIG. 6 is a front view thereof in use with a knife.
 The broken lines in the drawing depict environmental subject matter only and form no part of the claimed design.

1 Claim, 6 Drawing Sheets

(56)

References Cited

U.S. PATENT DOCUMENTS

D300,112	S	*	3/1989	Osterhout	D8/107
D304,154	S	*	10/1989	Osterhout	D8/107
D309,416	S		7/1990	Britz		
4,957,224	A		9/1990	Kessler et al.		
5,054,638	A		10/1991	Rose		
D337,187	S		7/1993	Hampshire		
D341,985	S		12/1993	Bunn et al.		
D345,675	S		4/1994	Charland		
D351,315	S		10/1994	van Stolk		
D355,329	S		2/1995	Ullmann		
D360,807	S		8/1995	Scholfield		
D363,001	S		10/1995	Scholfield		
D365,492	S		12/1995	Rorke		
D368,205	S	*	3/1996	Rausch	D7/401.2
5,505,330	A		4/1996	Nunes		
5,558,240	A		9/1996	Karp		
D375,016	S		10/1996	Ullmann		
5,586,682	A		12/1996	Yeh		
5,597,190	A		1/1997	DeMars		
5,613,274	A		3/1997	Gerdmann et al.		
5,683,007	A		11/1997	Scholfield		
5,683,009	A		11/1997	King		
5,687,556	A	*	11/1997	Lintz	A01D 7/00 294/50.6
D389,005	S		1/1998	Brady		
D390,416	S		2/1998	Hippen et al.		
D393,776	S	*	4/1998	Kessler	D7/401.2
5,737,803	A		4/1998	Tisdale		
5,788,113	A		8/1998	Yeh		

D409,446	S		5/1999	St. John et al.		
6,076,699	A		6/2000	Seager et al.		
D433,866	S		11/2000	Cautereels et al.		
D433,877	S		11/2000	Bickert et al.		
D434,599	S		12/2000	Brady et al.		
D438,761	S		3/2001	Settele		
D441,007	S	*	4/2001	Simons	D17/22
6,244,461	B1		6/2001	Roberts et al.		
D456,212	S		4/2002	Bridges		
D456,442	S	*	4/2002	Simons	D17/22
D459,942	S		7/2002	Miller		
6,446,830	B1		9/2002	Ocic		
6,471,390	B1		10/2002	Cuthbertson et al.		
D474,653	S	*	5/2003	Stewart	D7/401.2
D475,244	S		6/2003	Trombly		
D505,268	S	*	5/2005	Potempa	D4/129
D513,957	S	*	1/2006	Thirouin	D8/99
D532,274	S	*	11/2006	Demar	D8/107
D546,149	S	*	7/2007	Chen	D8/27
D560,970	S	*	2/2008	Yelland	D7/532
D561,536	S	*	2/2008	Virgilio	D7/509
D563,169	S		3/2008	Gibbons et al.		
D605,017	S	*	12/2009	McElmury	D8/71
7,673,766	B1		3/2010	Yalon		
D614,011	S	*	4/2010	Hyp	D8/10
D629,249	S	*	12/2010	Snyker	D7/395
D639,608	S		6/2011	Tohm, Sr.		
D671,375	S		11/2012	Cloutier et al.		
D679,949	S		4/2013	Meritt		
D683,591	S	*	6/2013	Cahen	D7/533
D684,428	S		6/2013	Spencer		
8,459,479	B2		6/2013	Yourist		
D700,811	S	*	3/2014	Lin	D7/401.2
D717,112	S	*	11/2014	Wang	D7/401.2
8,887,948	B2		11/2014	Lapine		
D730,145	S	*	5/2015	Eriksson	D8/107
D739,295	S		9/2015	Thuma et al.		
D760,021	S	*	6/2016	Lapsker	D7/394
2002/0023359	A1		2/2002	Peppel et al.		
2002/0124353	A1		9/2002	Holland-Letz		
2002/0153381	A1		10/2002	Rohe		
2003/0075550	A1		4/2003	Kenny		
2006/0213033	A1*		9/2006	Wasserman	A47J 45/061 16/421
2011/0259891	A1		10/2011	Thibault		
2012/0060879	A1		3/2012	Webb		

* cited by examiner

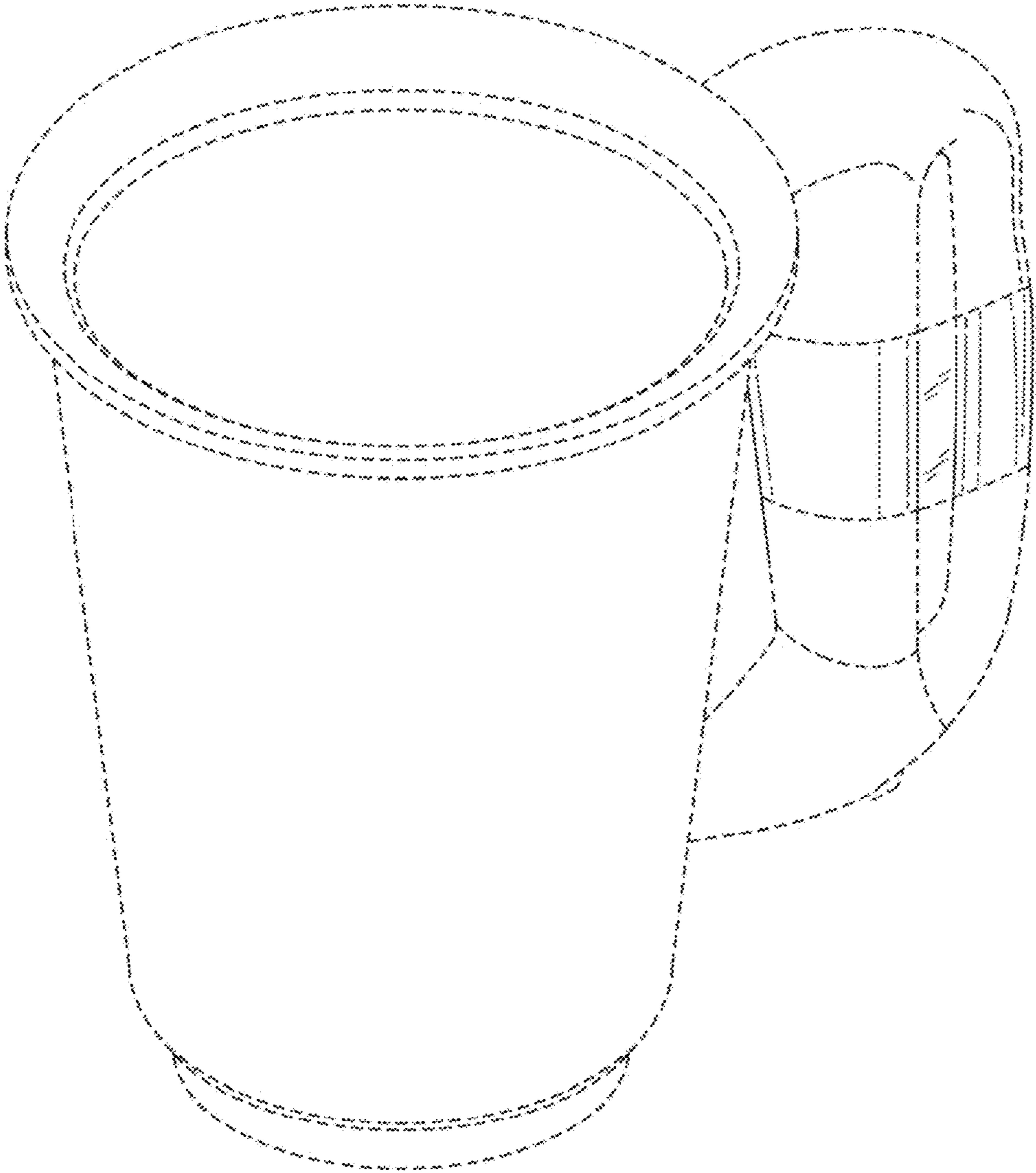


FIG. 1

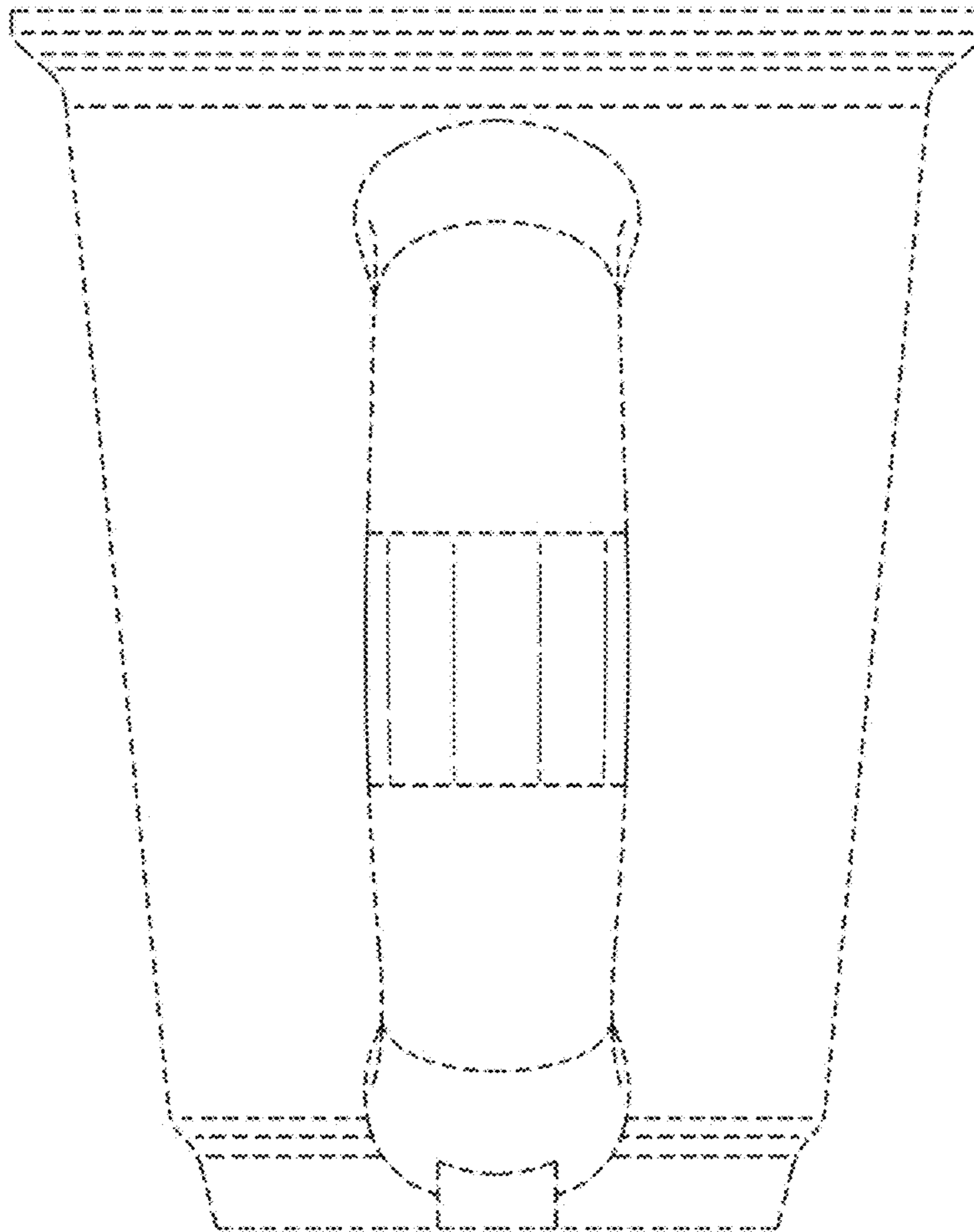


FIG. 2

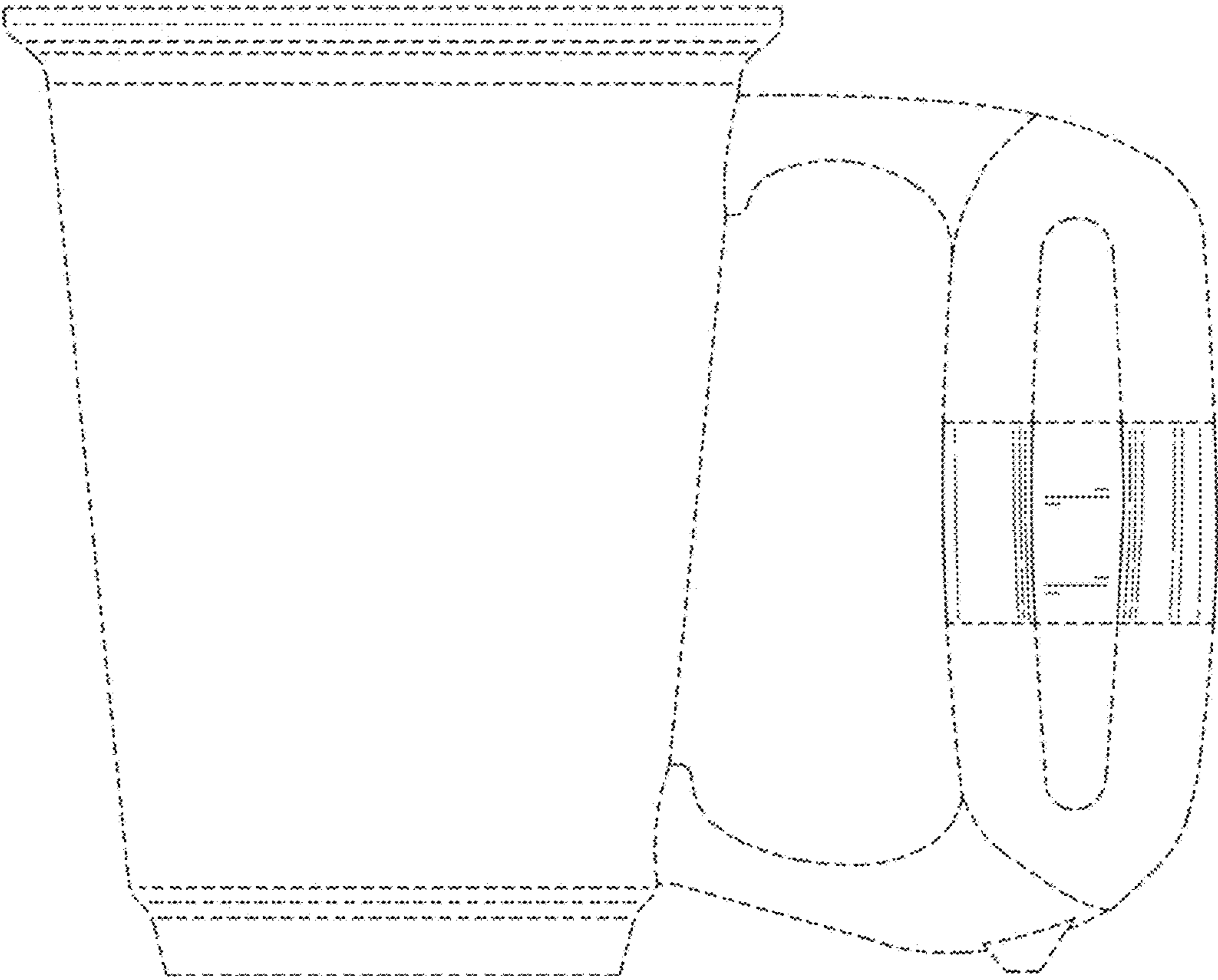


FIG. 3

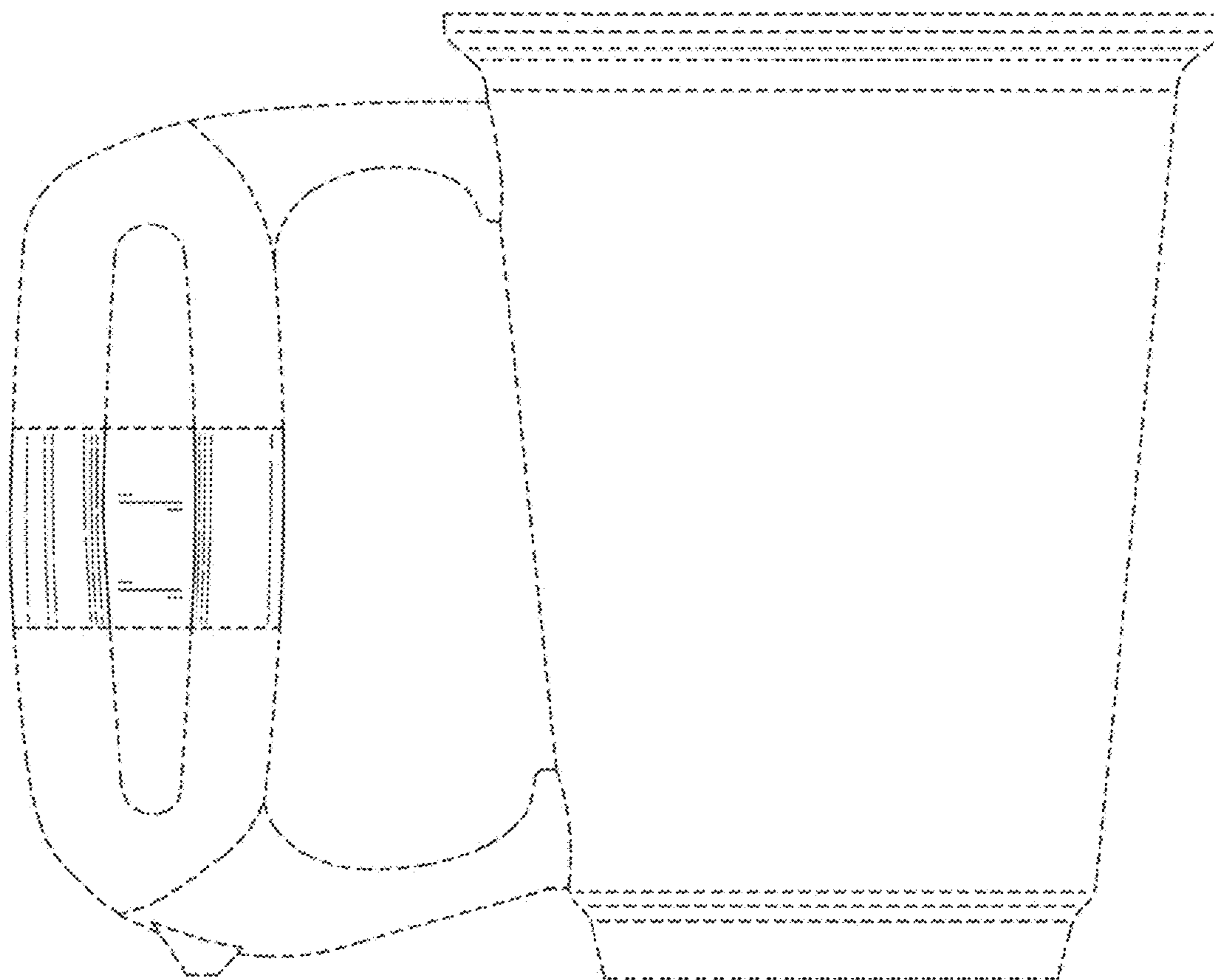


FIG. 4

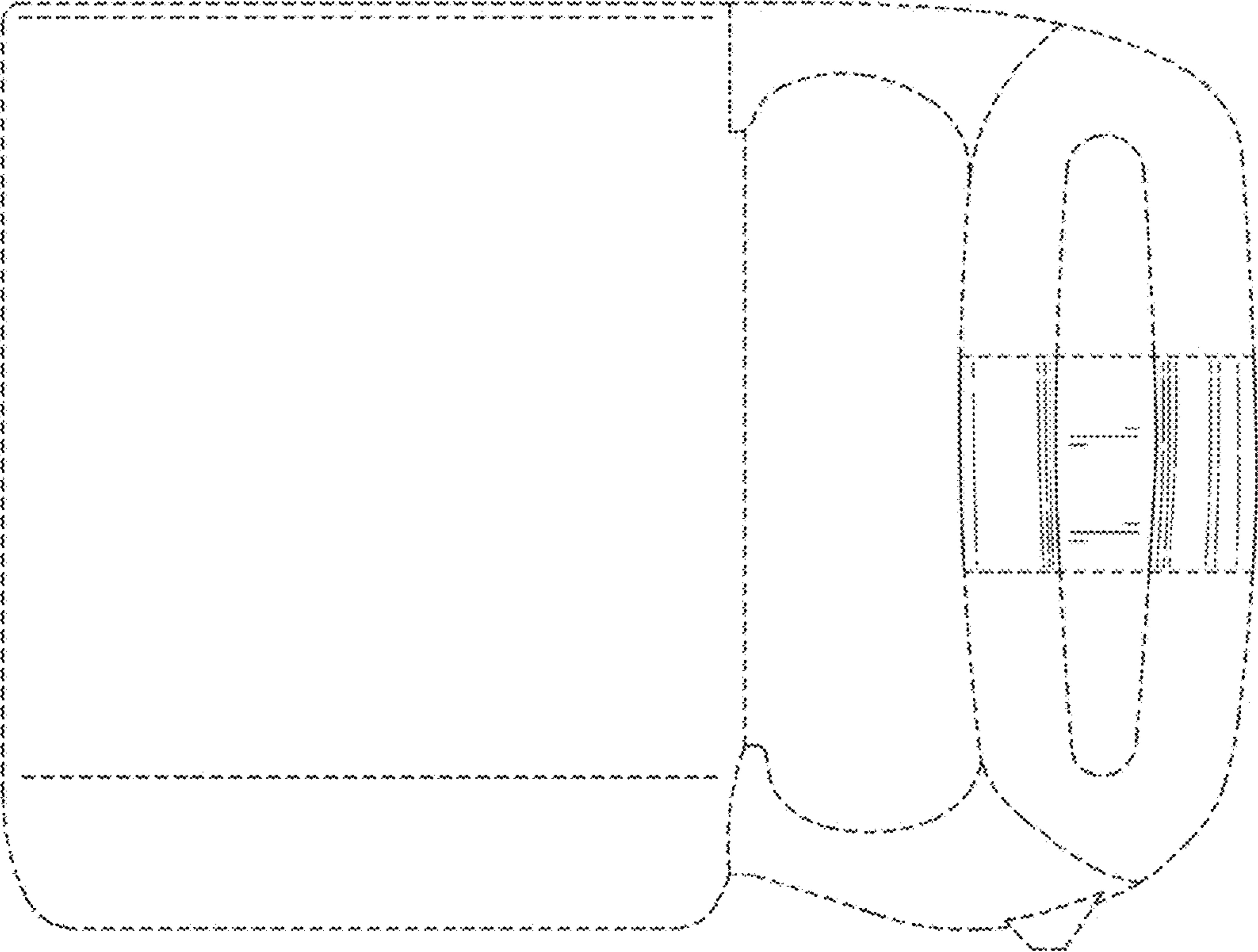


FIG. 5

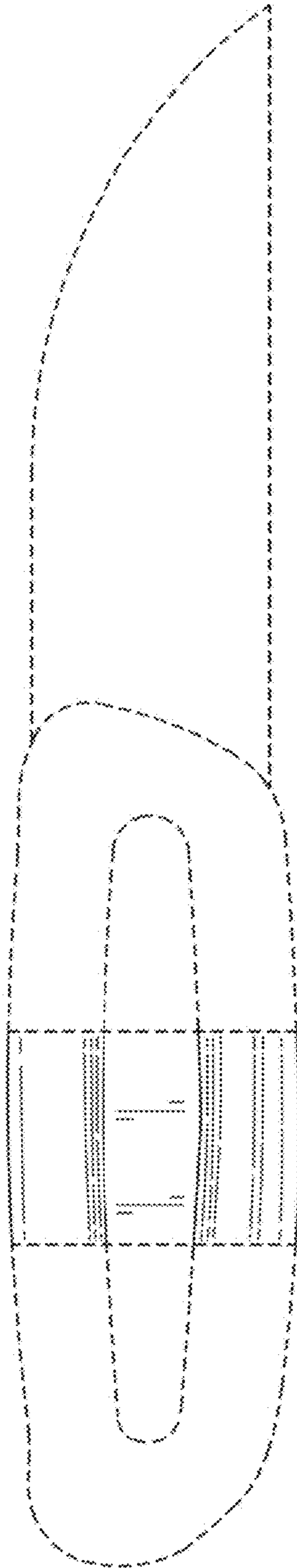


FIG. 6