



US00D773240S

(12) **United States Design Patent** (10) **Patent No.:** **US D773,240 S**
Zemel et al. (45) **Date of Patent:** **** Dec. 6, 2016**

(54) **UTENSIL HANDLE**
(71) Applicant: **Blue Rhino Global Sourcing, Inc.**,
Liberty, MO (US)
(72) Inventors: **Marc Zemel**, Old Bethpage, NY (US);
Adam Schillen, Dix Hills, NY (US)
(73) Assignee: **BLUE RHINO GLOBAL**
SOURCING, INC., Liberty, MO (US)
(**) Term: **15 Years**
(21) Appl. No.: **29/539,226**
(22) Filed: **Sep. 11, 2015**
(51) **LOC (10) Cl.** **07-02**
(52) **U.S. Cl.**
USPC **D7/393; D7/395**
(58) **Field of Classification Search**
USPC **D7/680-697, 393, 395, 401.2; D8/4, 5,**
D8/52-56, 58
CPC **A47G 21/00; A47G 21/02; A47G 21/06;**
A47J 43/283
See application file for complete search history.

D535,145 S 1/2007 Zemel
D535,853 S 1/2007 Zemel
D545,122 S 6/2007 Zemel
D546,620 S 7/2007 Zemel
D564,290 S 3/2008 Zemel
D564,291 S 3/2008 Zemel
D569,174 S 5/2008 Zemel
D572,079 S 7/2008 Zemel
D572,080 S 7/2008 Zemel
D588,867 S 3/2009 Zemel
D601,849 S 10/2009 Zemel
D628,029 S * 11/2010 Rothman D7/686
D657,619 S 4/2012 Zemel
D658,432 S 5/2012 Zemel
D658,434 S 5/2012 Zemel
D658,936 S 5/2012 Zemel
D667,707 S 9/2012 Zemel
D717,106 S 11/2014 Zemel

* cited by examiner

Primary Examiner — Cynthia M Chin
(74) *Attorney, Agent, or Firm* — Carter, DeLuca, Farrell
& Schmidt, LLP

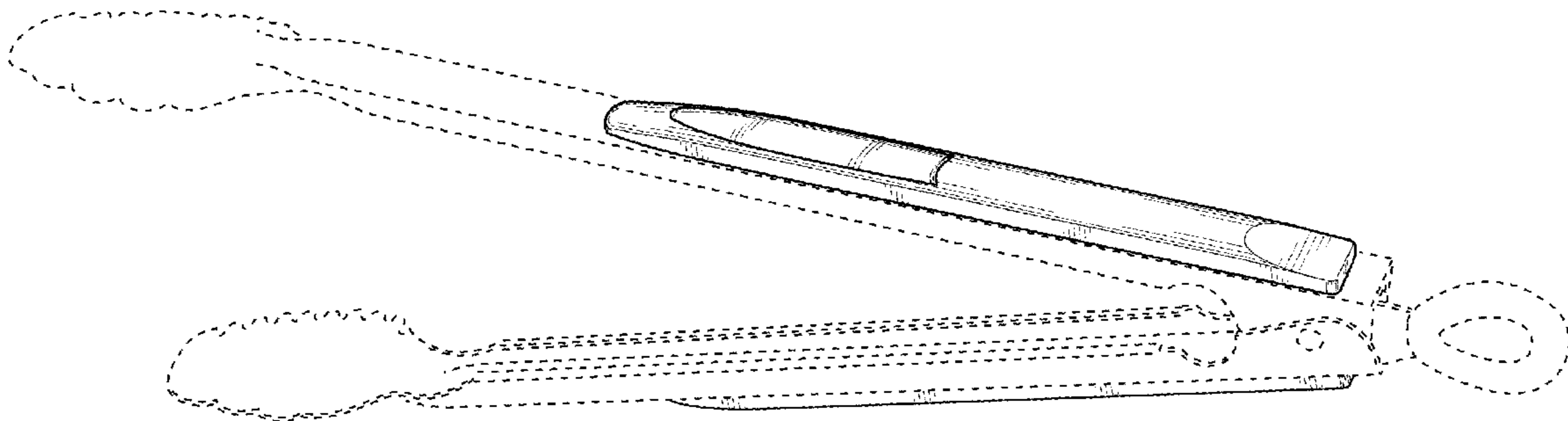
(57) **CLAIM**
The ornamental design for a utensil handle, as shown and
described.

DESCRIPTION

FIG. 1 is a perspective view of a utensil handle in accordance with the present design;
FIG. 2 is a right side elevational view thereof; the left side elevational view being a mirror image thereof;
FIG. 3 is a front side elevational view thereof;
FIG. 4 is a rear elevational view thereof; and,
FIG. 5 is a top plan view thereof, the bottom plan view being a mirror image thereof.
The broken lines shown in the drawings illustrate portions of the utensil handle that form no part of the claimed design.

1 Claim, 3 Drawing Sheets

(56) **References Cited**
U.S. PATENT DOCUMENTS
D414,653 S * 10/1999 Kaposi D7/401.2
D447,430 S 9/2001 Kehoe
D448,609 S * 10/2001 Hay D7/395
D457,789 S * 5/2002 Rowe D7/686
D475,585 S 6/2003 Chen
6,584,692 B1 * 7/2003 Stills A47J 43/283
294/99.2
D502,367 S * 3/2005 Claypool D7/686
7,086,676 B2 * 8/2006 Sumter A47J 43/283
294/16
D531,463 S * 11/2006 Jarvis D7/686



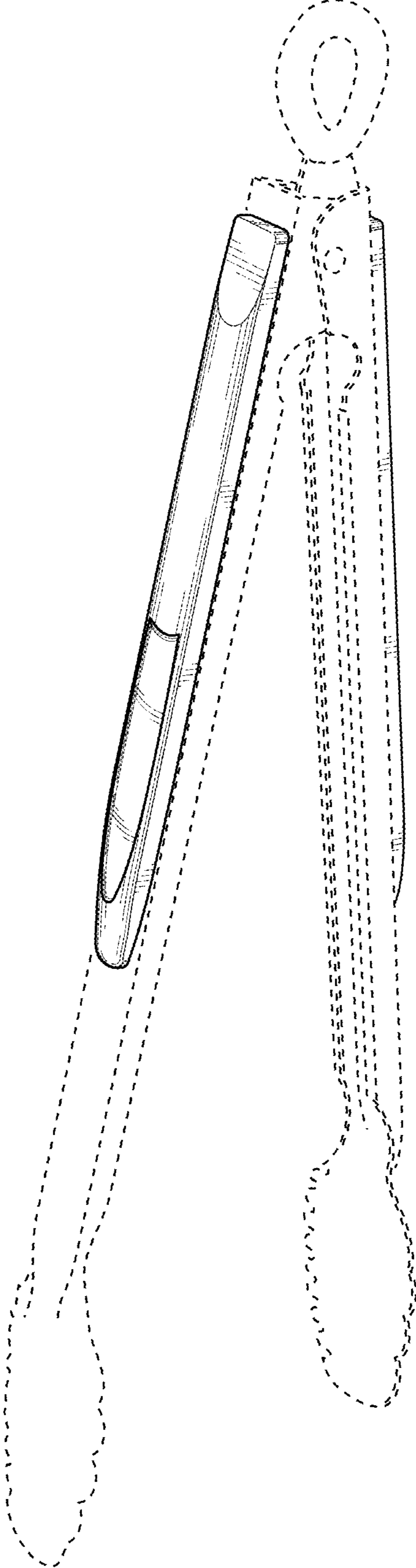


FIG. 1

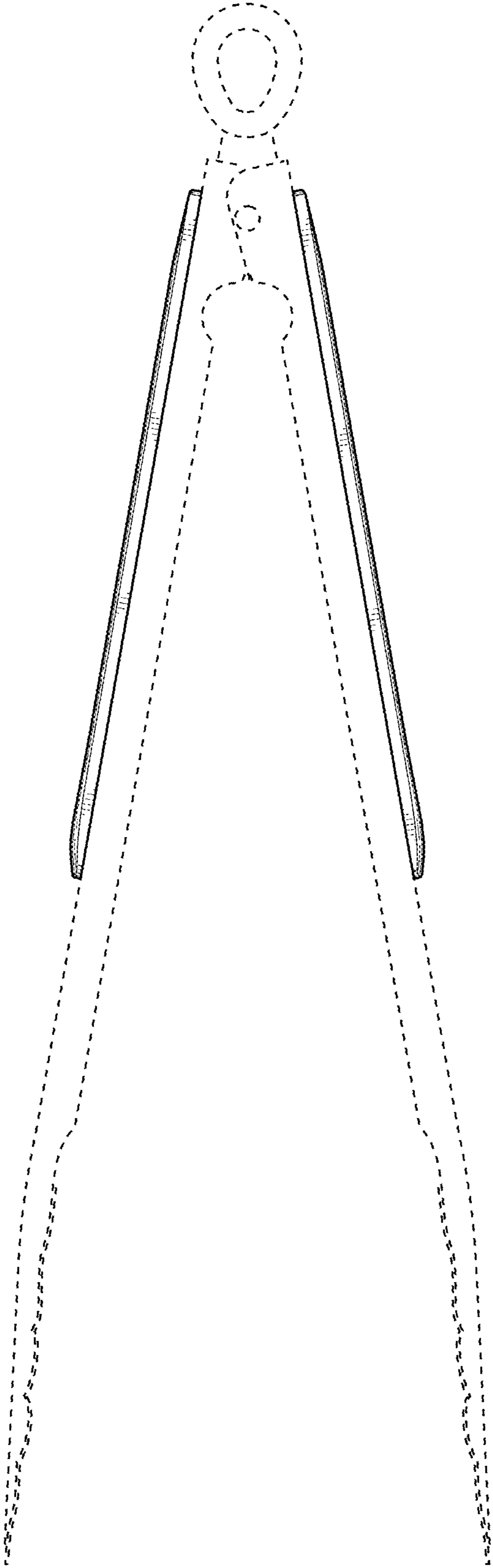


FIG. 2

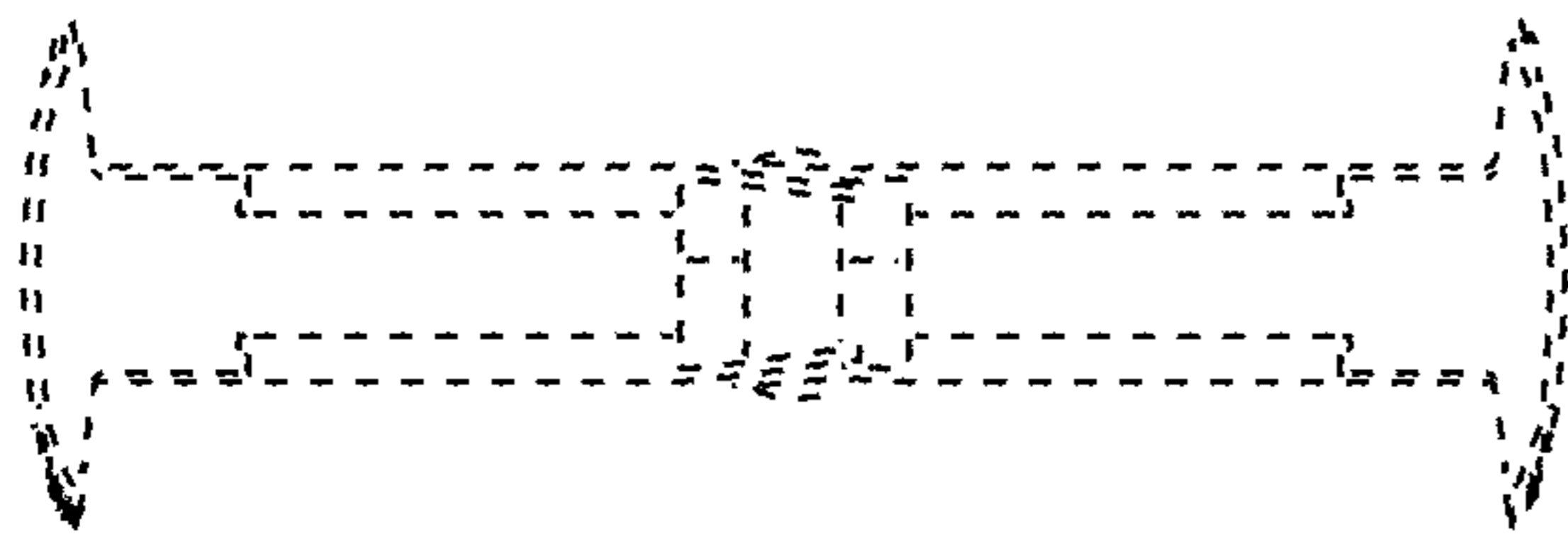


FIG. 3

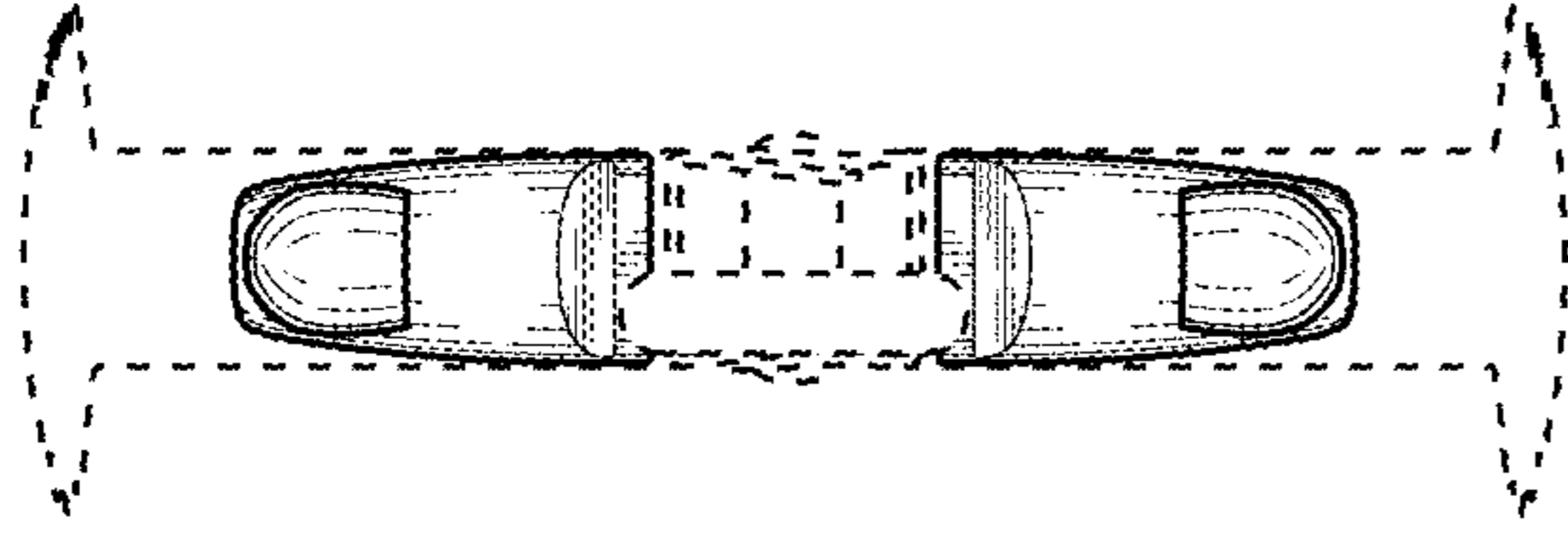


FIG. 4

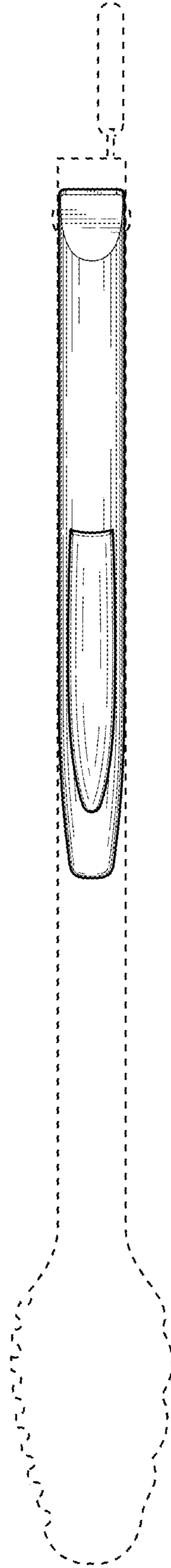


FIG. 5