



US00D773236S

(12) **United States Design Patent**
Durant

(10) **Patent No.:** **US D773,236 S**
(45) **Date of Patent:** **** Dec. 6, 2016**

(54) **COOKING SYSTEM**

(71) Applicant: **Jason Durant**, Warwick, RI (US)

(72) Inventor: **Jason Durant**, Warwick, RI (US)

(**) Term: **14 Years**

(21) Appl. No.: **29/520,215**

(22) Filed: **Mar. 12, 2015**

(51) **LOC (10) Cl.** **07-02**

(52) **U.S. Cl.**
USPC **D7/357; D7/323; D7/354**

(58) **Field of Classification Search**
USPC D7/323, 337, 354-366
CPC A47J 27/00; A47J 27/04; A47J 27/05;
A47J 27/08; A47J 27/09; A47J
27/092; A47J 27/10; A47J 36/025; A47J
36/06; A47J 36/08; A47J 36/10; A47J
36/12; A47J 37/12; A47J 37/1204; A47J
37/1209; H05B 3/748; H05B 6/02; H05B
6/06; H05B 6/12

See application file for complete search history.

(56) **References Cited**

U.S. PATENT DOCUMENTS

D90,947 S *	10/1933	Guild	D7/357
D167,077 S *	6/1952	Gunther	99/339
D213,717 S *	4/1969	Rickmeier	D7/355
4,145,603 A *	3/1979	Mackay	H05B 3/748 219/387
5,819,640 A *	10/1998	Cuomo	A47J 27/10 126/261

D610,395 S *	2/2010	Perkins	D7/364
D640,086 S *	6/2011	Day	D7/354
D645,297 S *	9/2011	Saboe	D7/354
D651,845 S *	1/2012	O'Neill	D7/362
D655,972 S *	3/2012	Foy	D7/354
D677,106 S *	3/2013	Horito	D7/337
D717,099 S *	11/2014	Lavy	D7/354
D735,522 S *	8/2015	Bleeker	D7/354

* cited by examiner

Primary Examiner — Ricky Pham

(74) *Attorney, Agent, or Firm* — Barlow, Josephs & Holmes, Ltd.

(57) **CLAIM**

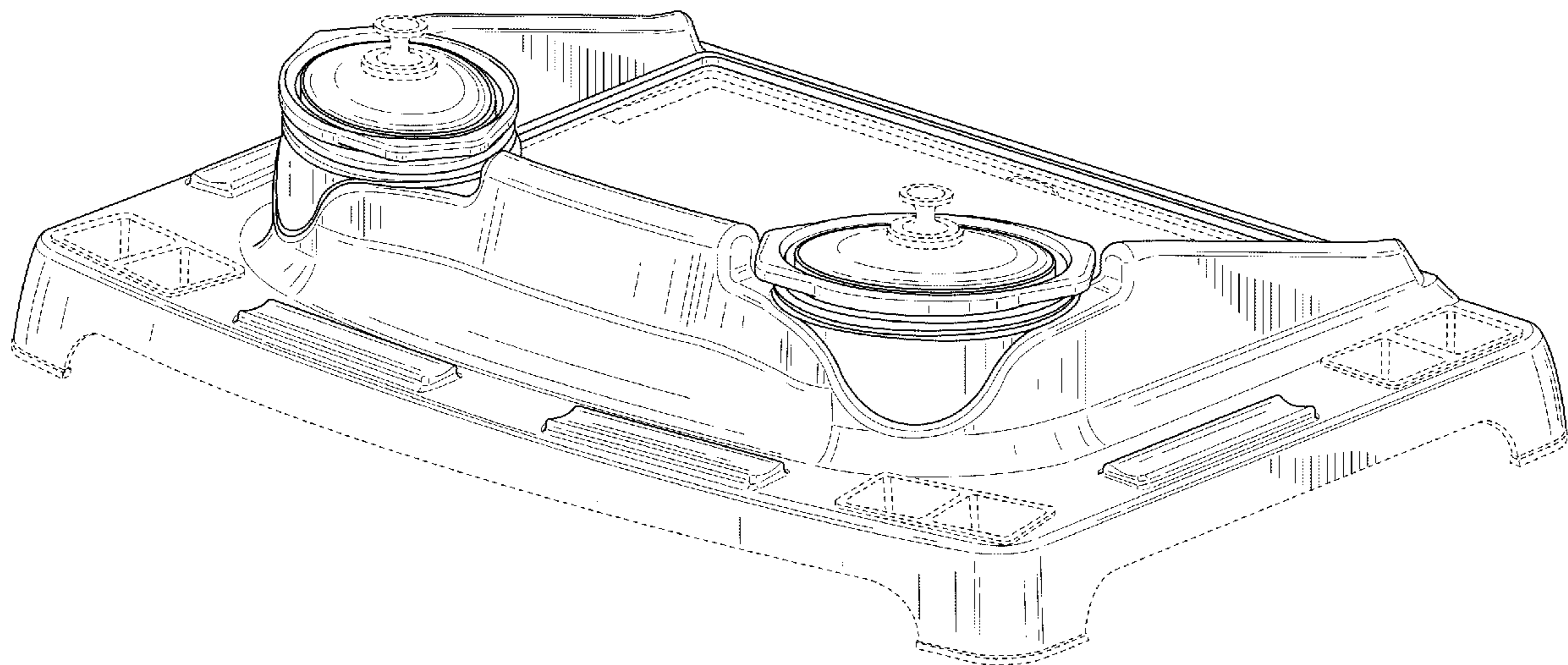
The ornamental design for a cooking system, as shown and described.

DESCRIPTION

FIG. 1 is a front perspective view of the cooking system in accordance with the present invention; FIG. 2 is a rear perspective view thereof; FIG. 3 is a top view thereof; FIG. 4 is a front view thereof; FIG. 5 is a rear view thereof; FIG. 6 is a right side view thereof; and, FIG. 7 is a left side view thereof.

The broken line showing of the support legs, lid handles, griddle, sauce trays, control knobs, cleanout tray and power adapter are for illustration purposes and form no part of the claimed design.

1 Claim, 6 Drawing Sheets



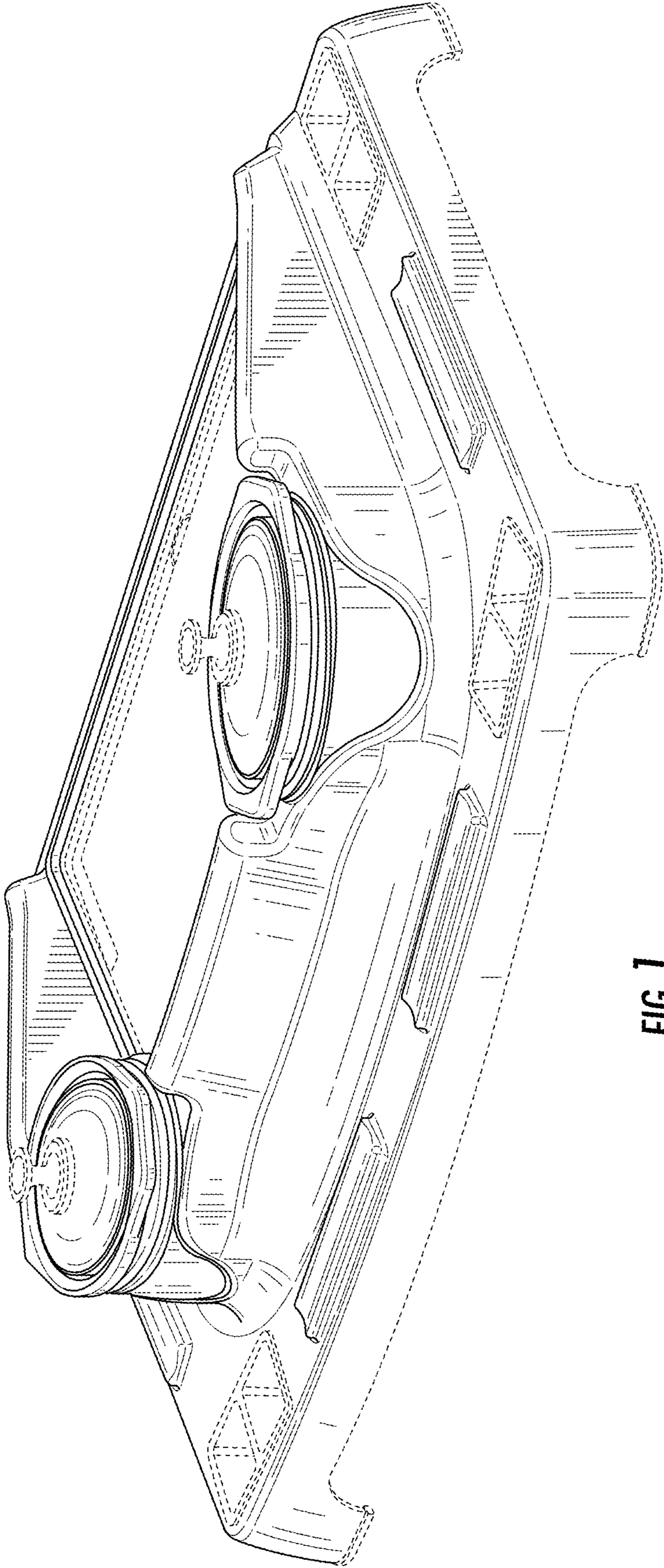


FIG. 1

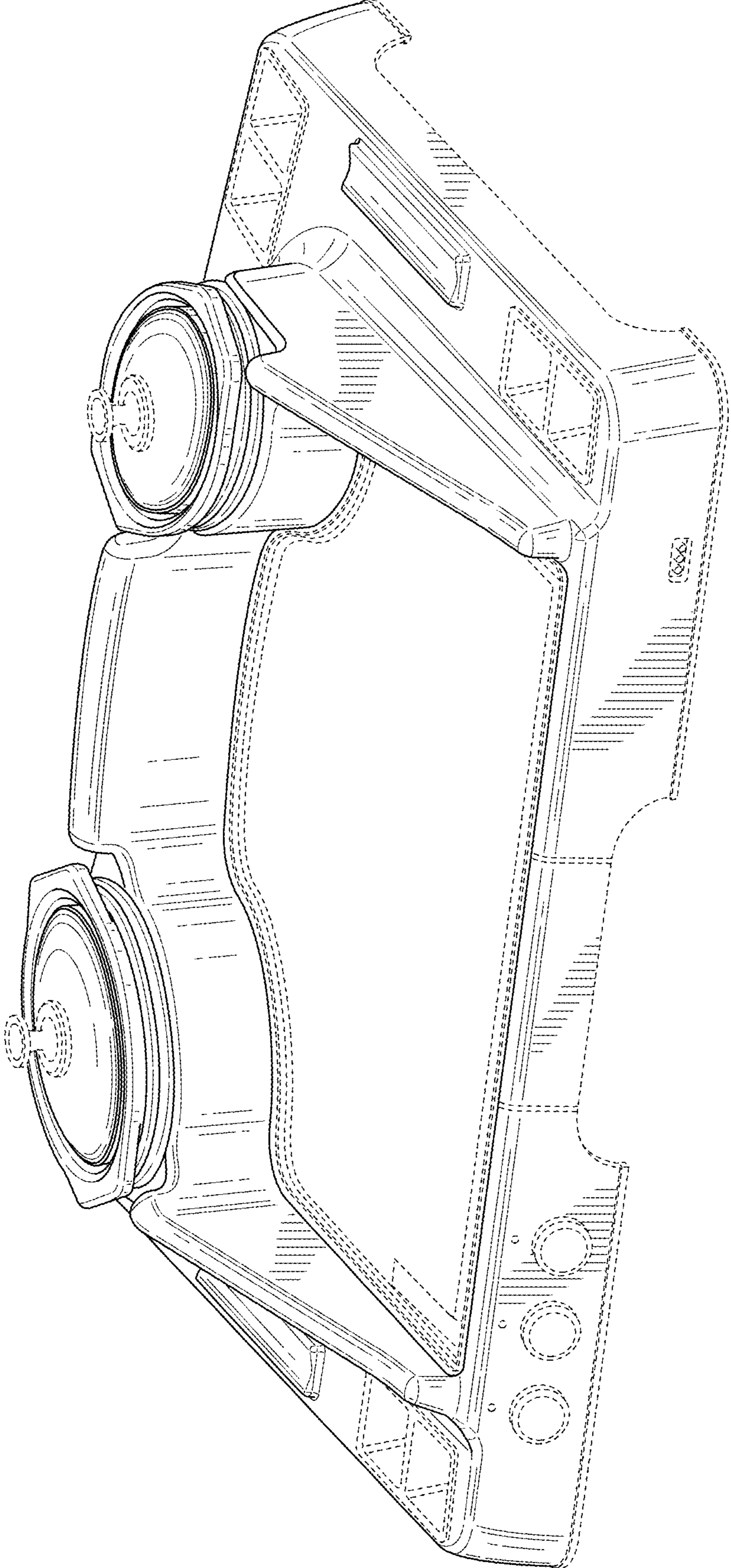


FIG. 2

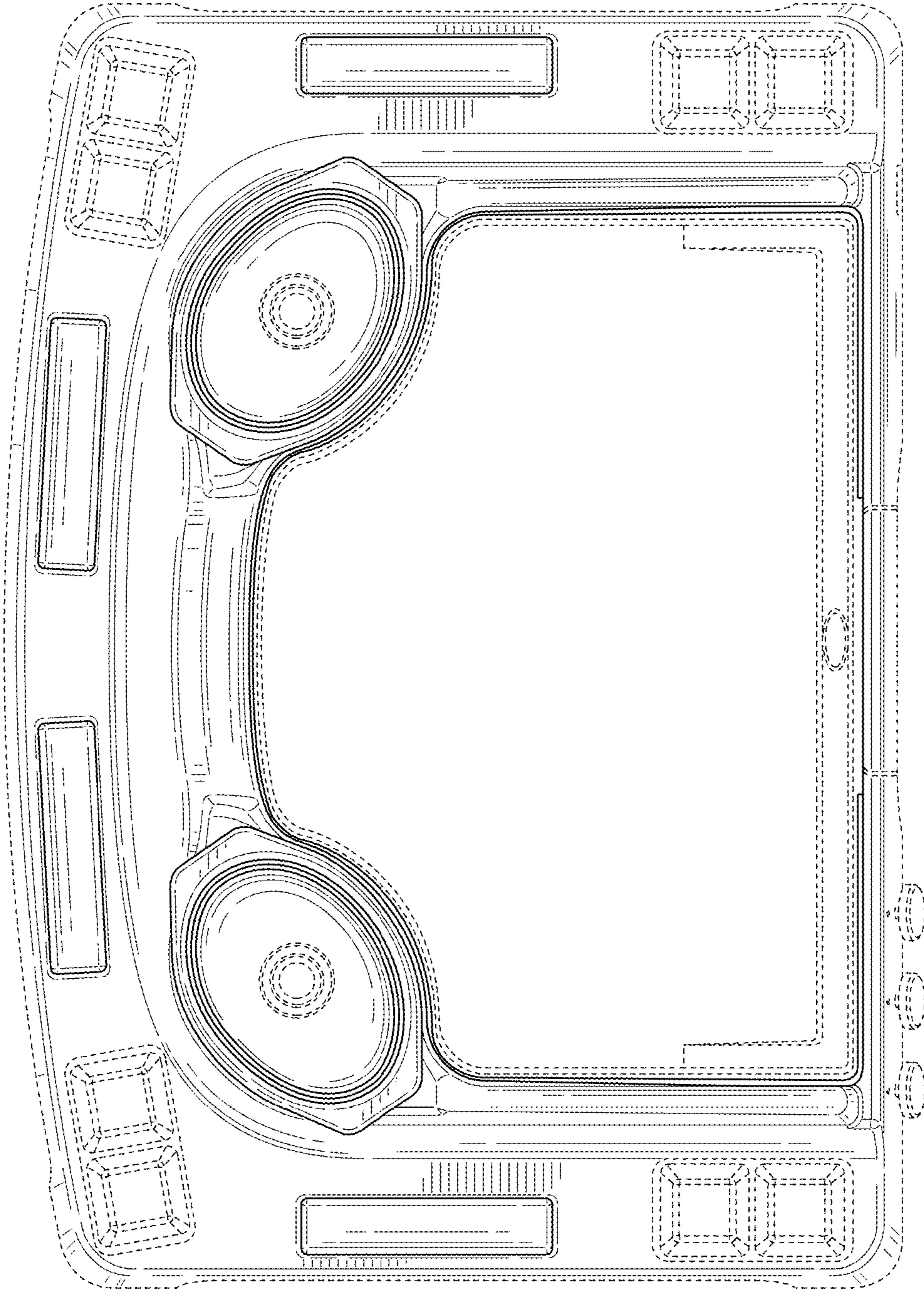


FIG. 3

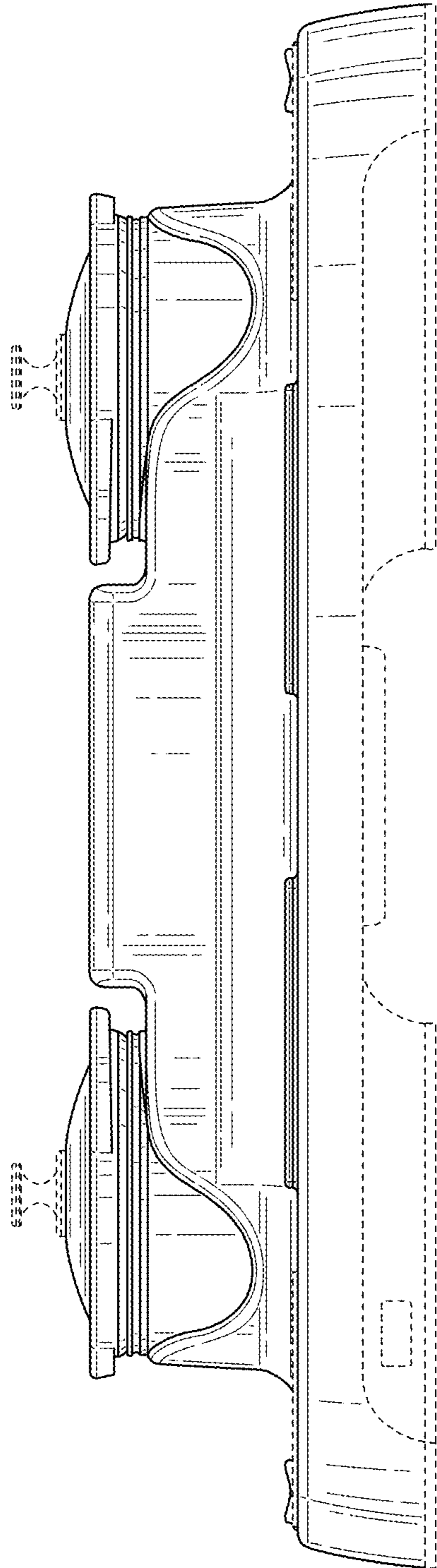


FIG. 4

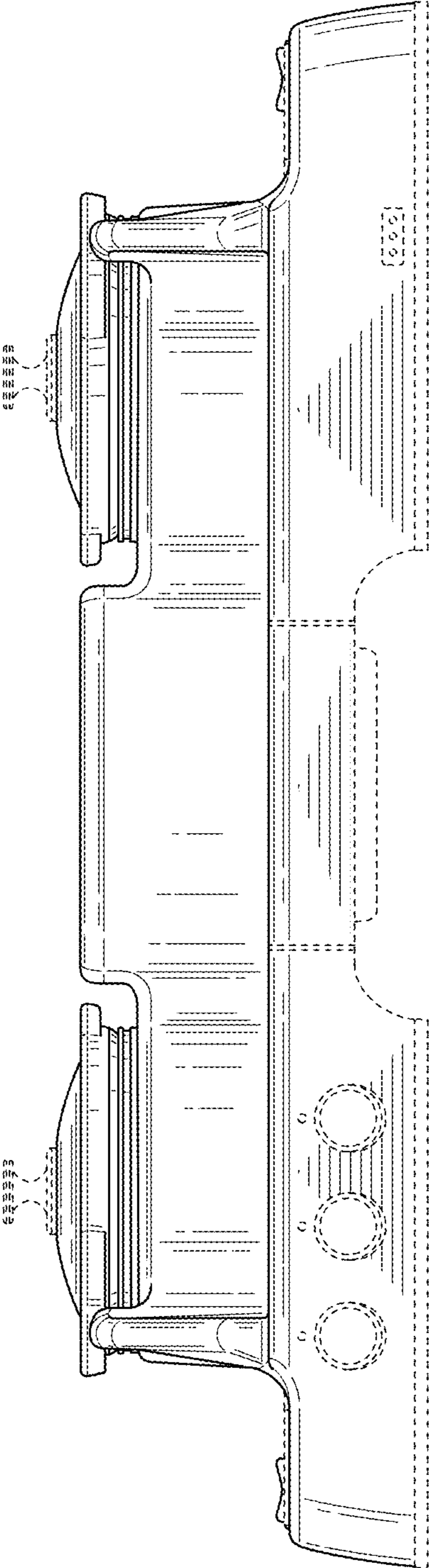


FIG. 5

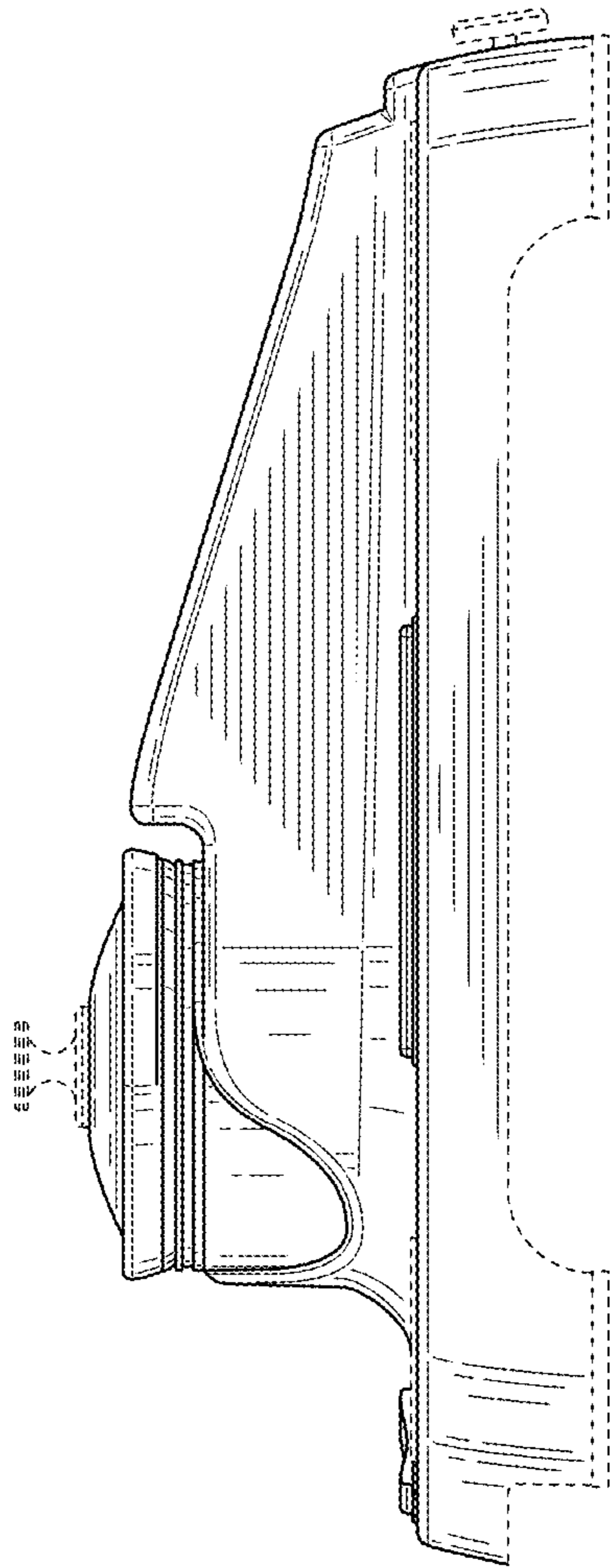


FIG. 6

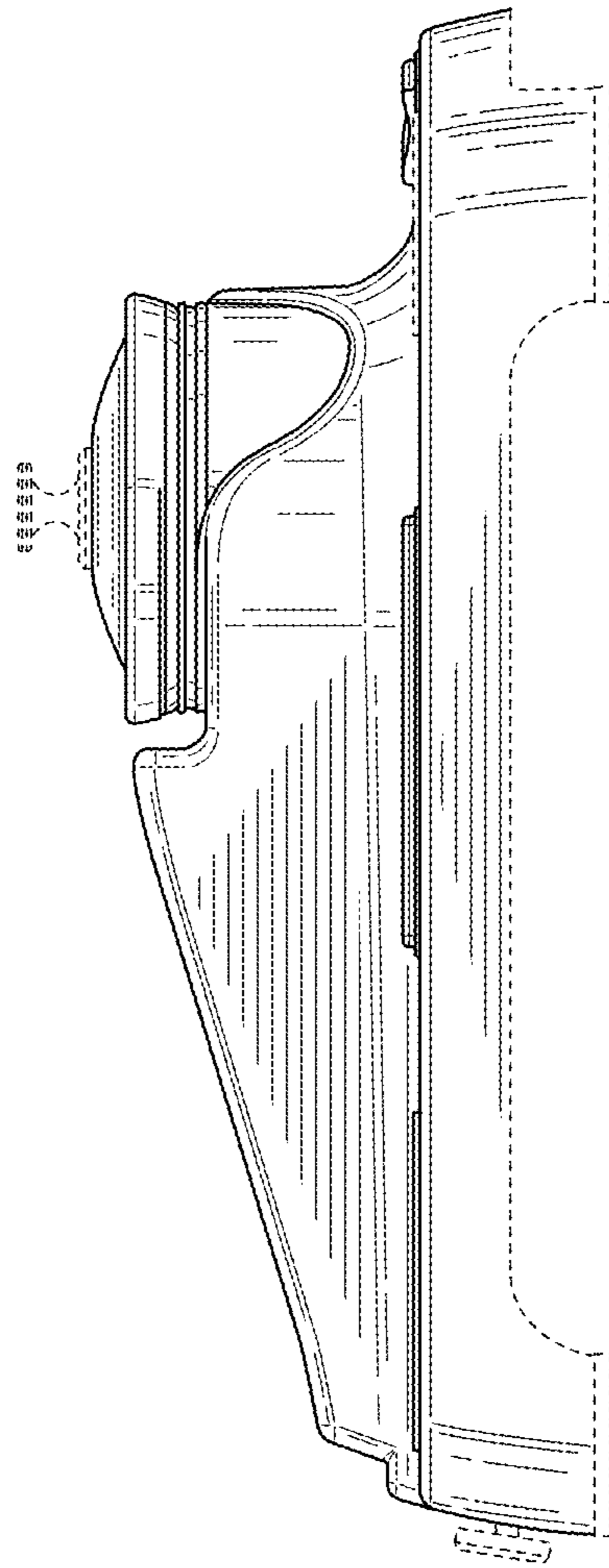


FIG. 7