



US00D773235S

(12) **United States Design Patent**  
**Chung et al.**

(10) **Patent No.:** **US D773,235 S**  
(45) **Date of Patent:** **\*\* Dec. 6, 2016**

(54) **MICROWAVE OVEN**

(56) **References Cited**

(71) Applicant: **LG ELECTRONICS INC.**, Seoul (KR)

U.S. PATENT DOCUMENTS

(72) Inventors: **Jae Hun Chung**, Seoul (KR); **In Hwan Ryu**, Seoul (KR); **Sang Woo Kim**, Seoul (KR)

D304,412 S	*	11/1989	Nishibori	.....	D7/351
D384,545 S	*	10/1997	Wang	.....	D7/350.4
D429,595 S	*	8/2000	Kusachi	.....	D7/351
D603,210 S	*	11/2009	Davis	.....	D7/350.1
D606,797 S	*	12/2009	Baek	.....	D7/351
D606,798 S	*	12/2009	Baek	.....	D7/351
D607,687 S	*	1/2010	Baek	.....	D7/351

(73) Assignee: **LG ELECTRONICS INC.**, Seoul (KR)

\* cited by examiner

(\*\*) Term: **14 Years**

*Primary Examiner* — Cynthia M Chin

(21) Appl. No.: **29/525,173**

(74) *Attorney, Agent, or Firm* — Birch, Stewart, Kolasch & Birch, LLP

(22) Filed: **Apr. 28, 2015**

(57) **CLAIM**

(30) **Foreign Application Priority Data**

We claim the ornamental design for a microwave oven, as shown and described.

Nov. 13, 2014 (KR) ..... 30-2014-0054717

**DESCRIPTION**

(51) **LOC (10) Cl.** ..... **07-02**

(52) **U.S. Cl.**  
USPC ..... **D7/351**

(58) **Field of Classification Search**  
USPC ..... D7/332-351, 362-367, 405; 219/756, 219/702; 426/234  
CPC ..... F24C 15/10; F24C 7/083; F24C 15/107; F24C 3/08-3/12; F24C 15/023; F24C 15/322; F24C 15/325; F24C 15/327; F24C 7/08; F24C 15/048; H05B 6/062; H05B 1/0266; H05B 6/763; H05B 6/6414; H05B 6/6417; F23D 14/06; F23D 2900/14062; F23D 14/105; F23D 14/045; A47J 37/0713  
See application file for complete search history.

FIG. 1 is a perspective view of a microwave oven showing our new design;  
FIG. 2 is a front elevation view thereof;  
FIG. 3 is a rear elevation view thereof;  
FIG. 4 is a left-side elevation view thereof;  
FIG. 5 is a right-side elevation view thereof;  
FIG. 6 is a top plan view thereof; and,  
FIG. 7 is a bottom plan view thereof.  
The broken lines in the drawing figures are included for the purpose of illustrating environment and form no part of the claimed design.

**1 Claim, 4 Drawing Sheets**

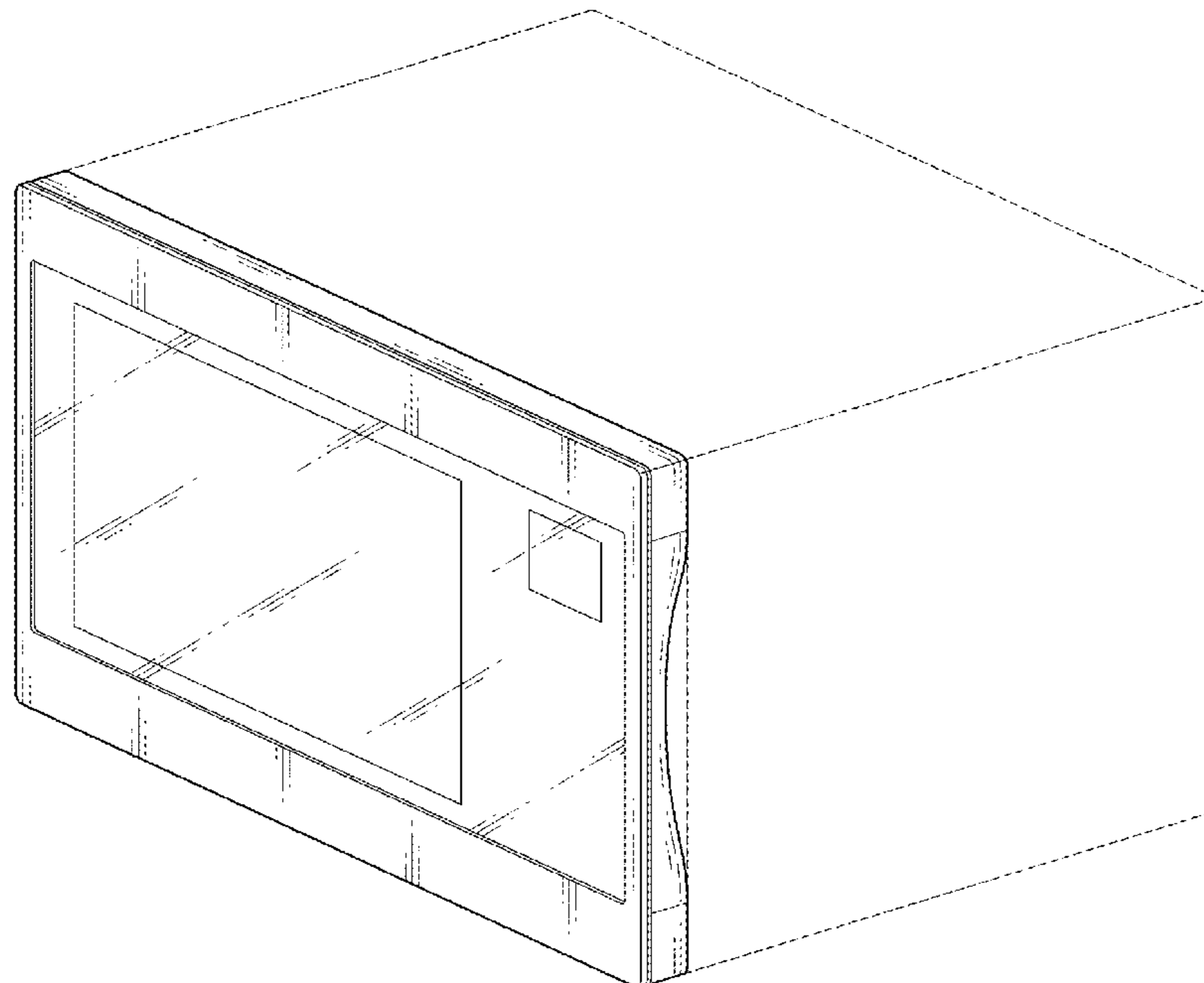


FIG. 1

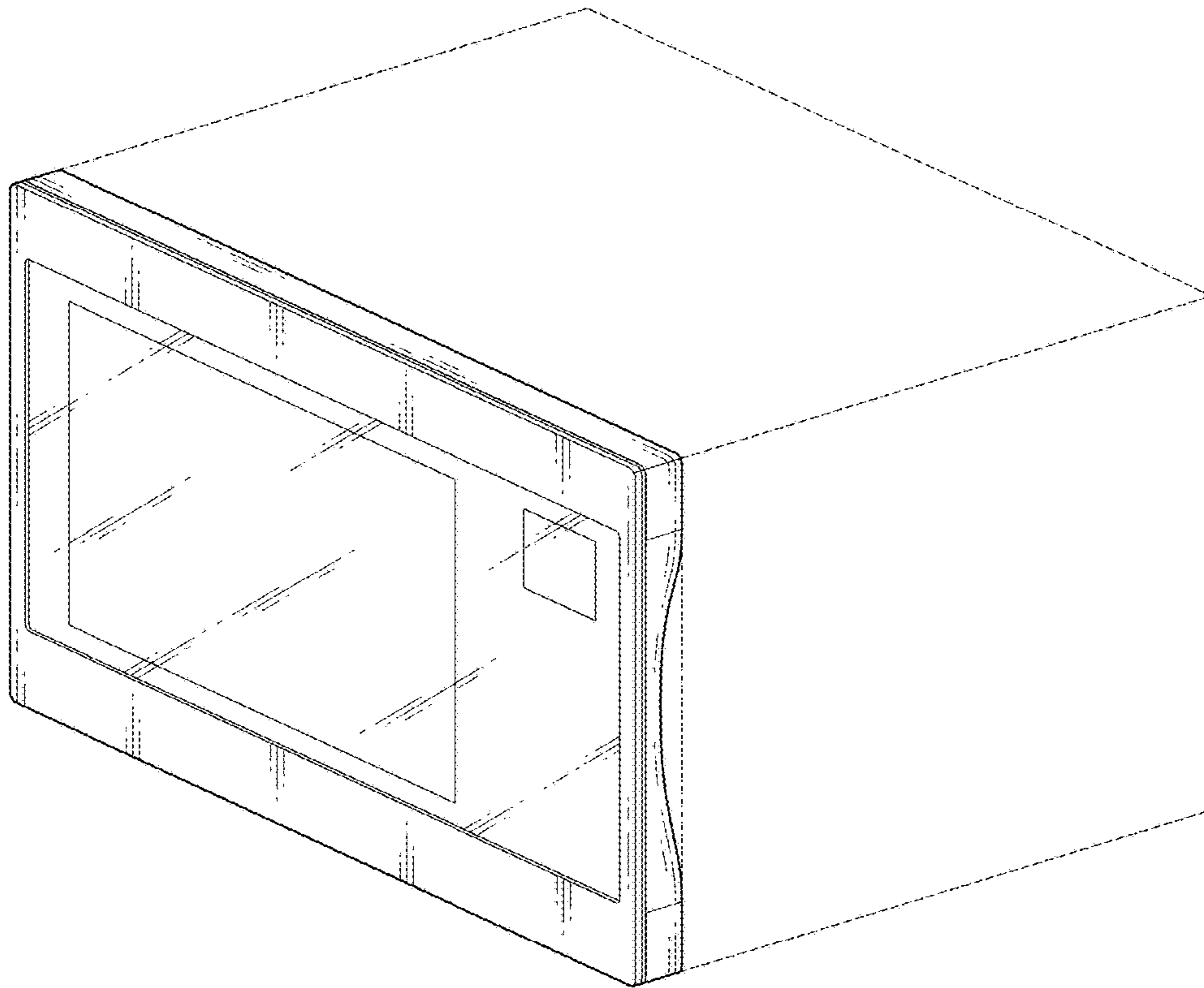


FIG. 2

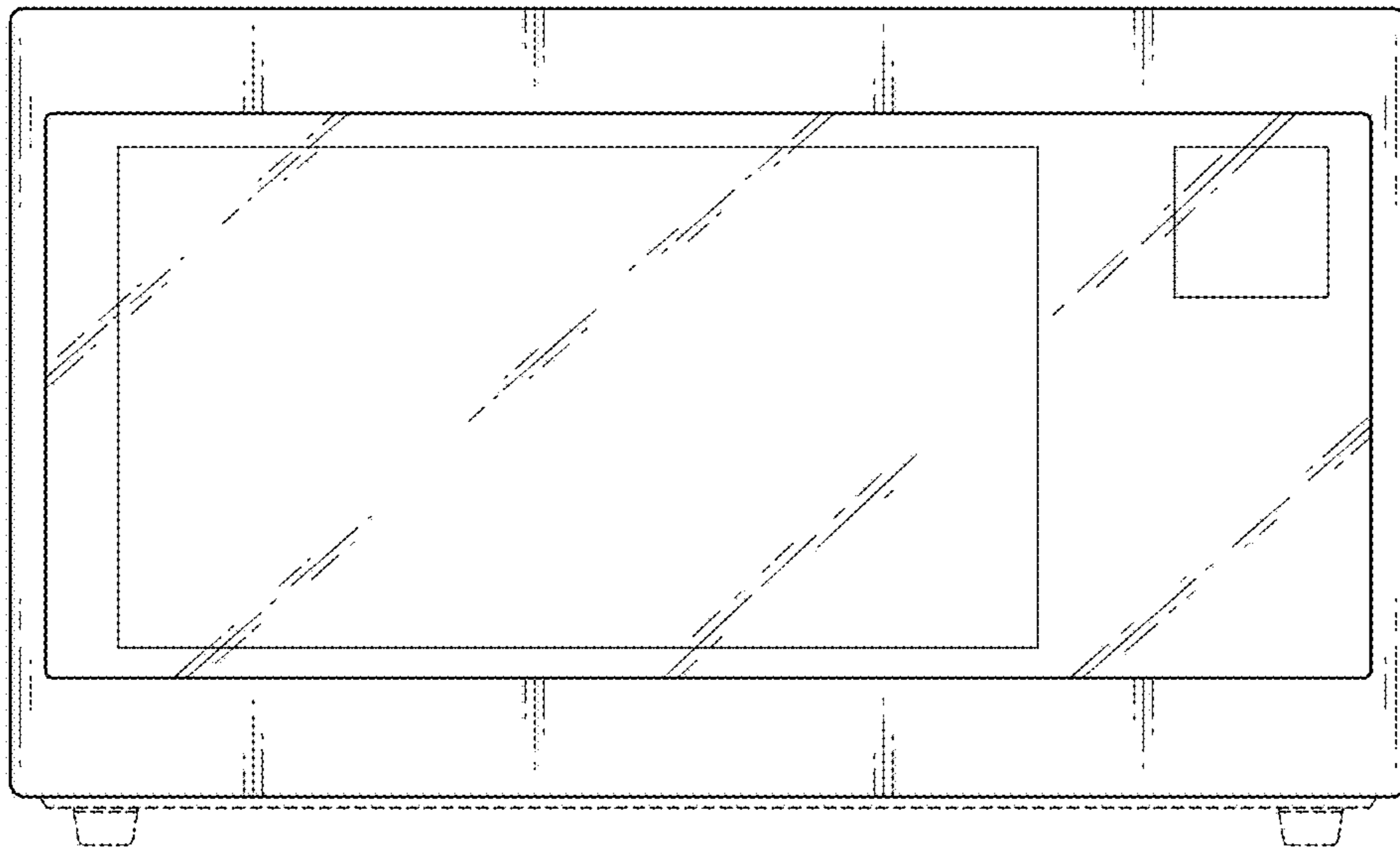


FIG. 3



FIG. 4

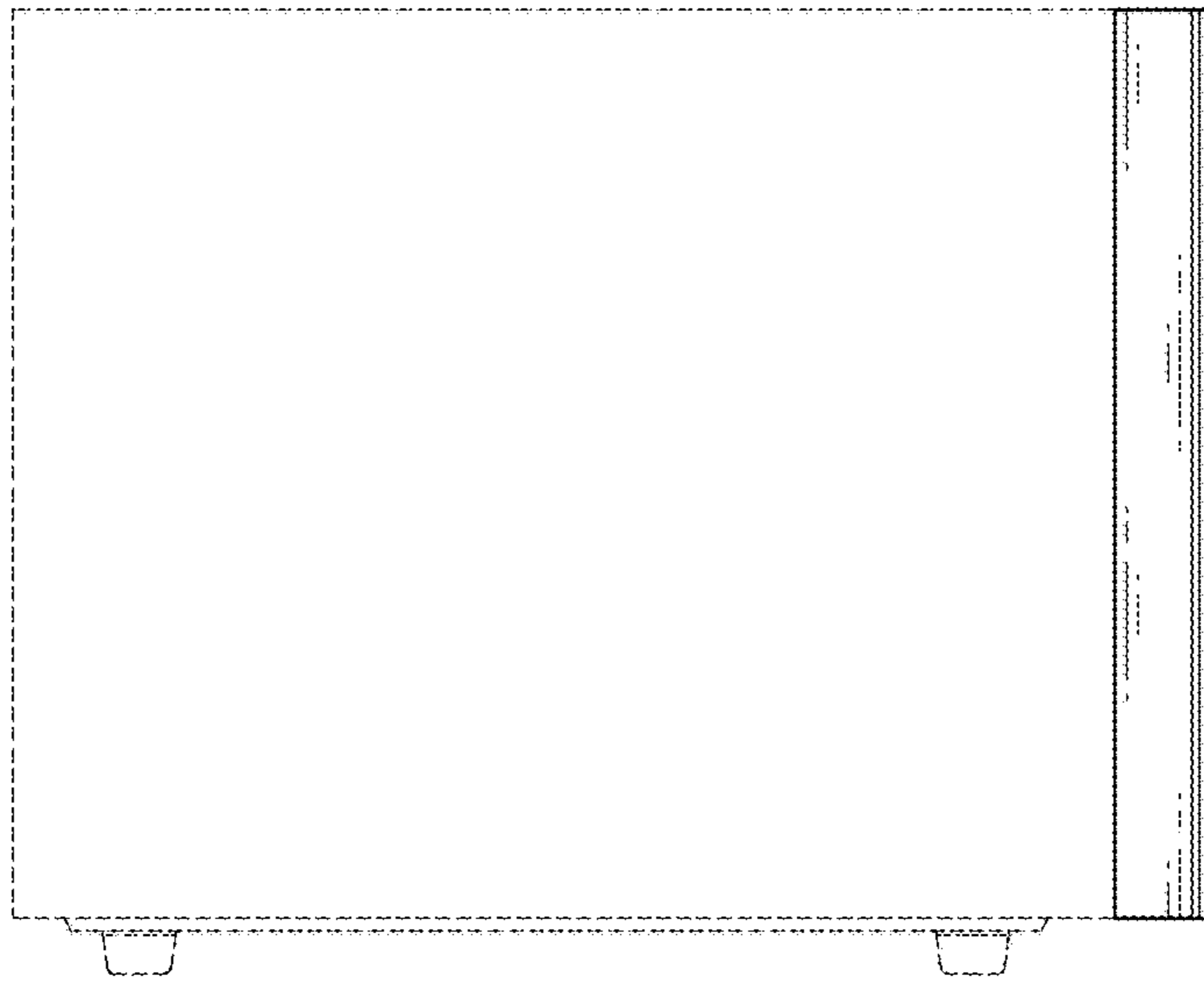


FIG. 5

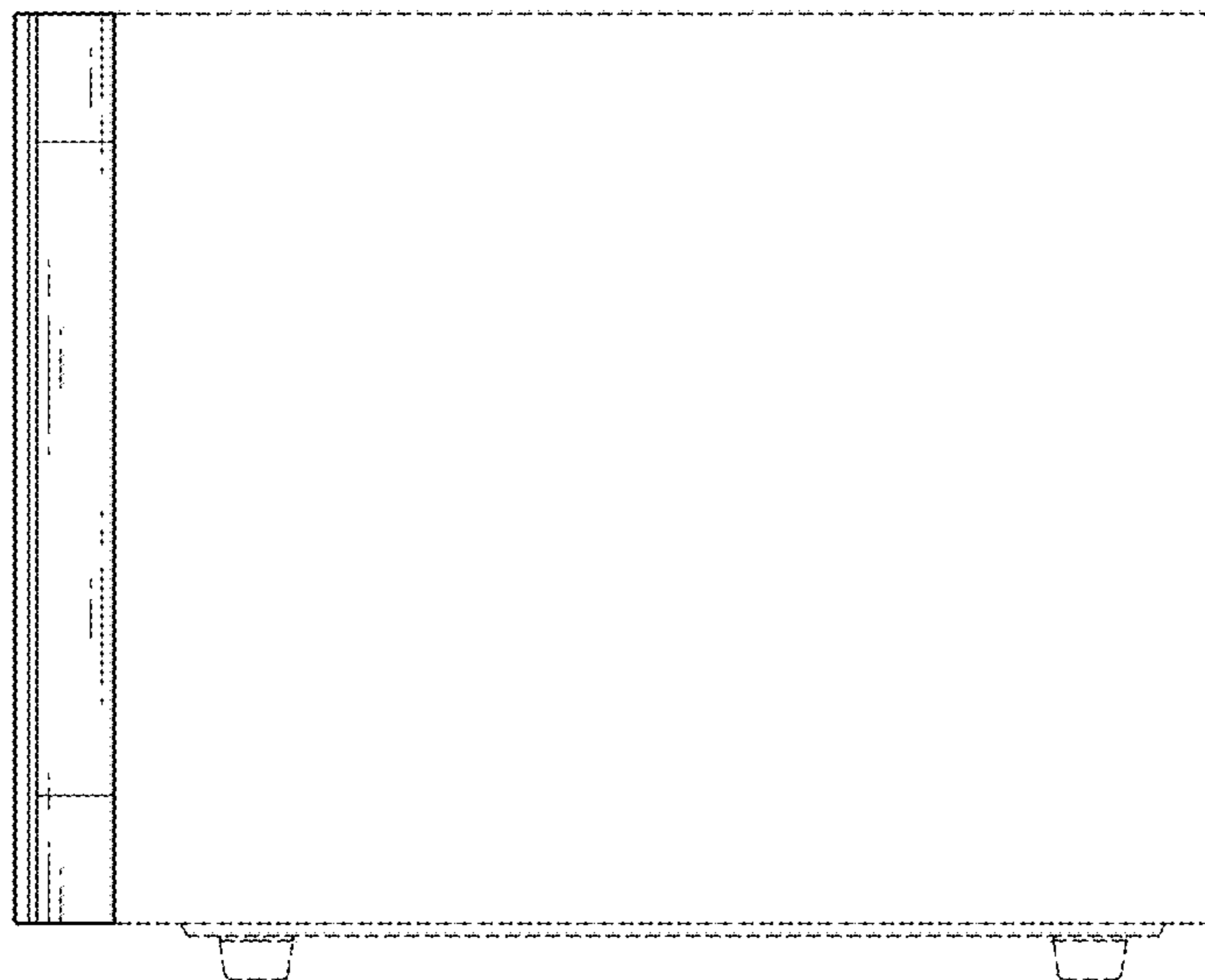


FIG. 6

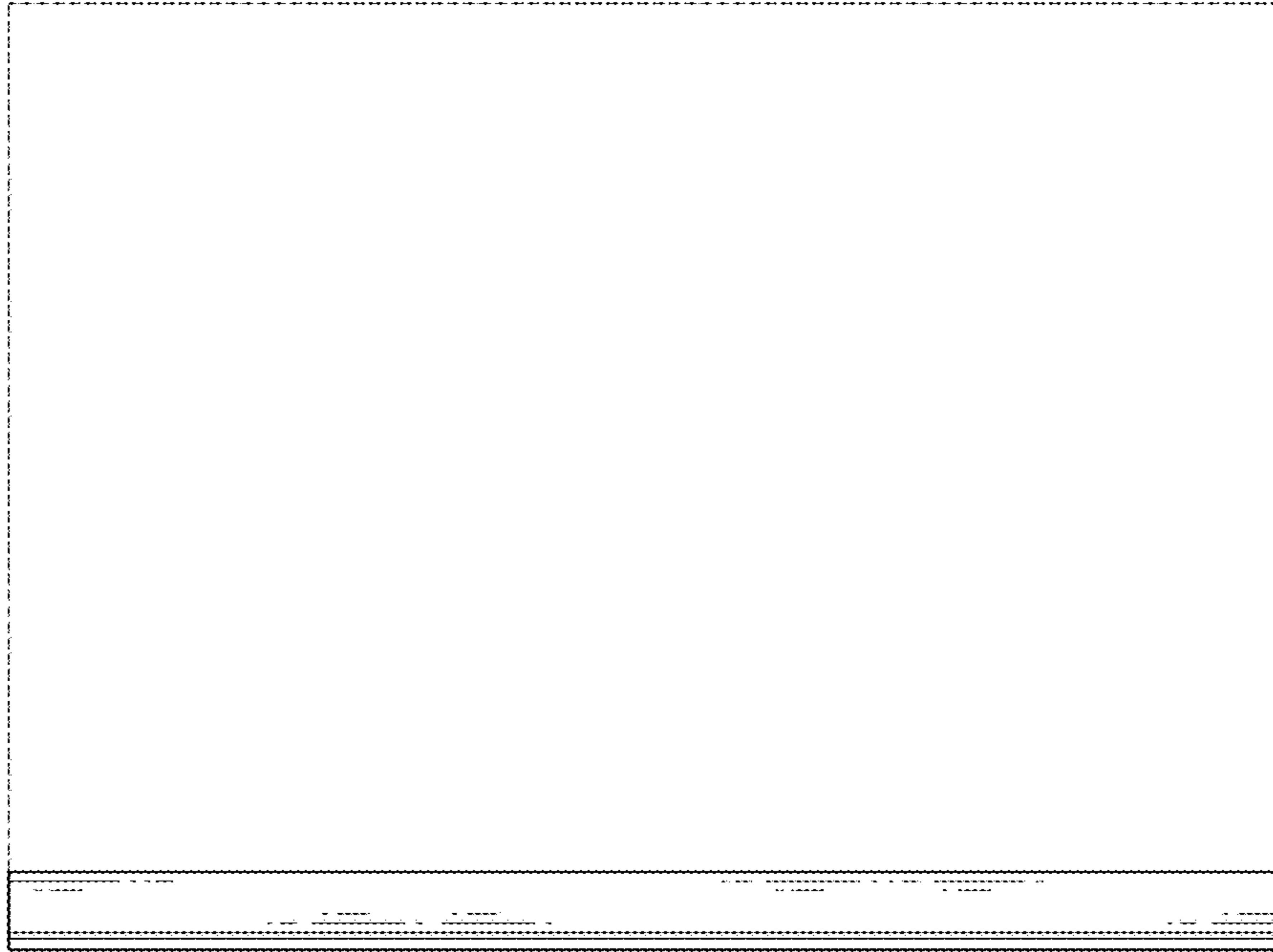


FIG. 7

