



US00D773233S

(12) **United States Design Patent** (10) **Patent No.:** **US D773,233 S**  
**Suh et al.** (45) **Date of Patent:** **\*\* Dec. 6, 2016**

(54) **MICROWAVE**

(56) **References Cited**

(71) Applicant: **Samsung Electronics Co., Ltd.**,  
Suwon-si, Gyeonggi-do (KR)  
(72) Inventors: **Seung-Wook Suh**, Goyang-si (KR);  
**Jae-Moon Lee**, Seoul (KR); **Binna**  
**Kim**, Seoul (KR); **Hyeong-Ju Seo**,  
Seoul (KR); **Woo-Joo Choi**, Anyang-si  
(KR); **Gi-Sung Han**, Seoul (KR)  
(73) Assignee: **SAMSUNG ELECTRONICS CO.,**  
**LTD.** (KR)

U.S. PATENT DOCUMENTS

D275,546 S	9/1984	Tanaka et al.	
D329,353 S	9/1992	Yamada	
D535,848 S *	1/2007	Jeon .....	D7/351
D539,073 S	3/2007	Kanza	
D583,614 S *	12/2008	Chung .....	D7/351
D586,619 S	2/2009	Pino et al.	
D673,418 S *	1/2013	Lee .....	D7/351
D683,576 S *	6/2013	Lee .....	D7/351
D704,983 S	5/2014	Yoon et al.	
D705,008 S *	5/2014	Shin .....	D7/405
D707,074 S *	6/2014	Shin .....	D7/351
D741,639 S *	10/2015	Kim .....	D7/351
D741,649 S *	10/2015	Kim .....	D7/405

(\*\*) Term: **14 Years**

\* cited by examiner

(21) Appl. No.: **29/519,315**

*Primary Examiner* — Cynthia M Chin

(22) Filed: **Mar. 4, 2015**

(74) *Attorney, Agent, or Firm* — Cantor Colburn LLP

(30) **Foreign Application Priority Data**

(57) **CLAIM**

Sep. 4, 2014 (KR) ..... 30-2014-0043380

The ornamental design for a microwave, as shown and described.

(51) **LOC (10) Cl.** ..... **07-02**

**DESCRIPTION**

(52) **U.S. Cl.**

USPC ..... **D7/351**

(58) **Field of Classification Search**

USPC ..... D7/332-351, 362-367, 405; 219/756,  
219/702; 426/234

CPC ..... F24C 15/10; F24C 7/083; F24C 15/107;  
F24C 3/08-3/12; F24C 15/023; F24C 15/322;  
F24C 15/325; F24C 15/327; F24C 7/08;

F24C 15/048; H05B 6/062; H05B 1/0266;  
H05B 6/763; H05B 6/6414; H05B 6/6417;

F23D 14/06; F23D 2900/14062; F23D  
14/105; F23D 14/045; A47J 37/0713

See application file for complete search history.

FIG. 1 is a perspective view of a microwave, showing our new design;  
FIG. 2 is a front view thereof;  
FIG. 3 is a rear view thereof;  
FIG. 4 is a side view thereof;  
FIG. 5 is a another side view thereof;  
FIG. 6 is a top view thereof; and,  
FIG. 7 is a bottom view thereof.  
The broken lines are for environmental purpose only and form no part of the claimed design.

**1 Claim, 7 Drawing Sheets**

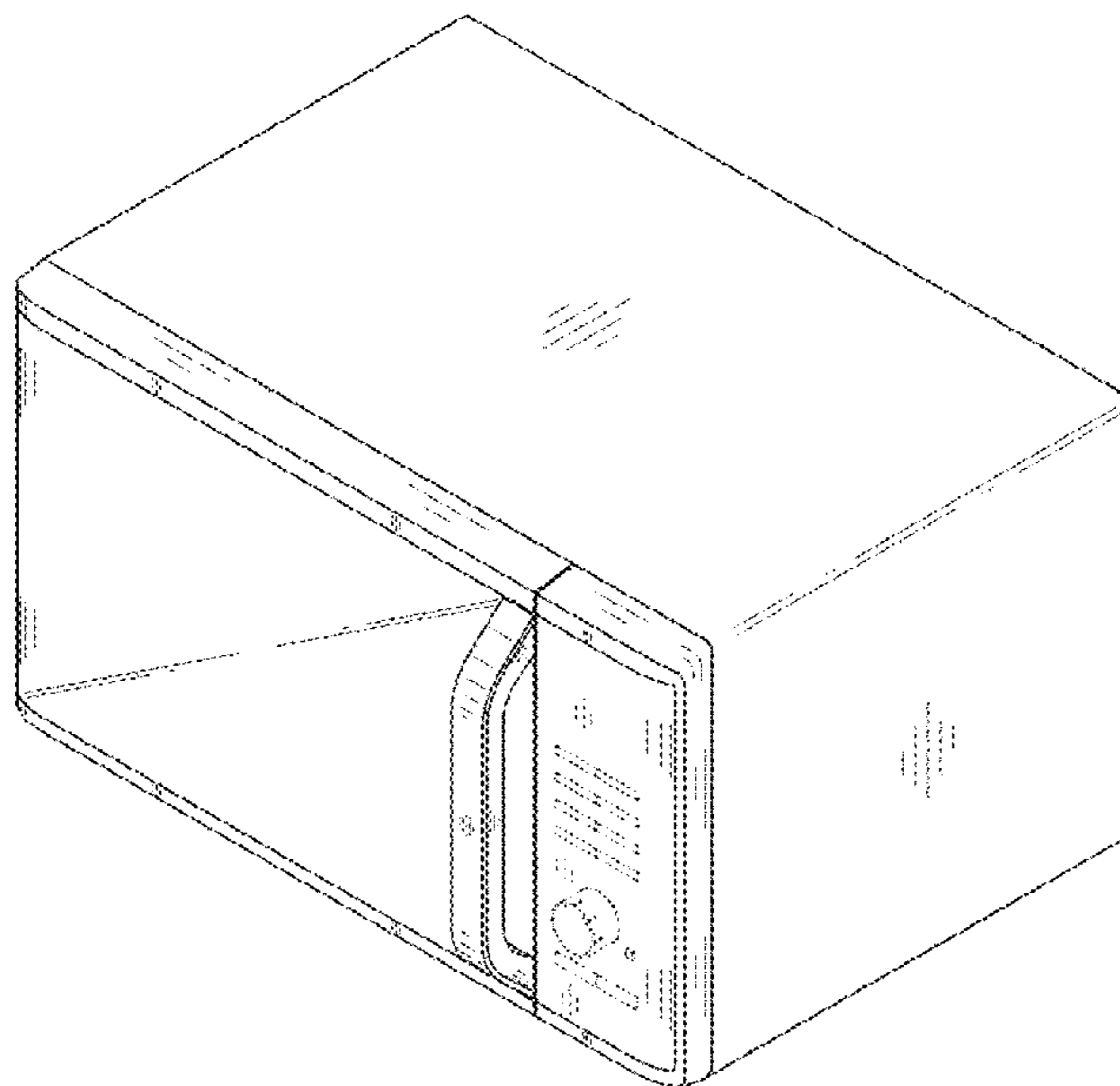


FIG. 1

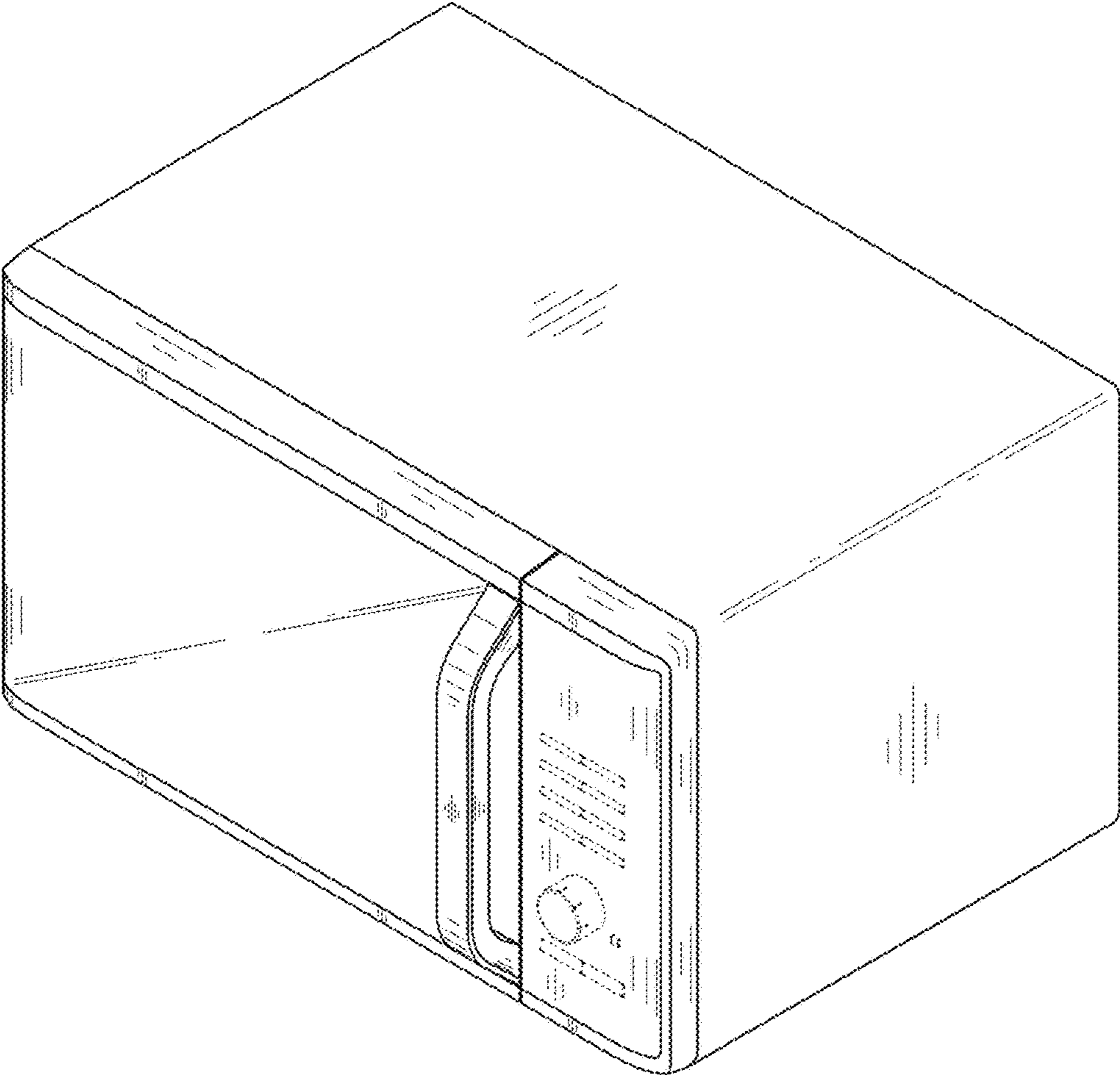


FIG. 2

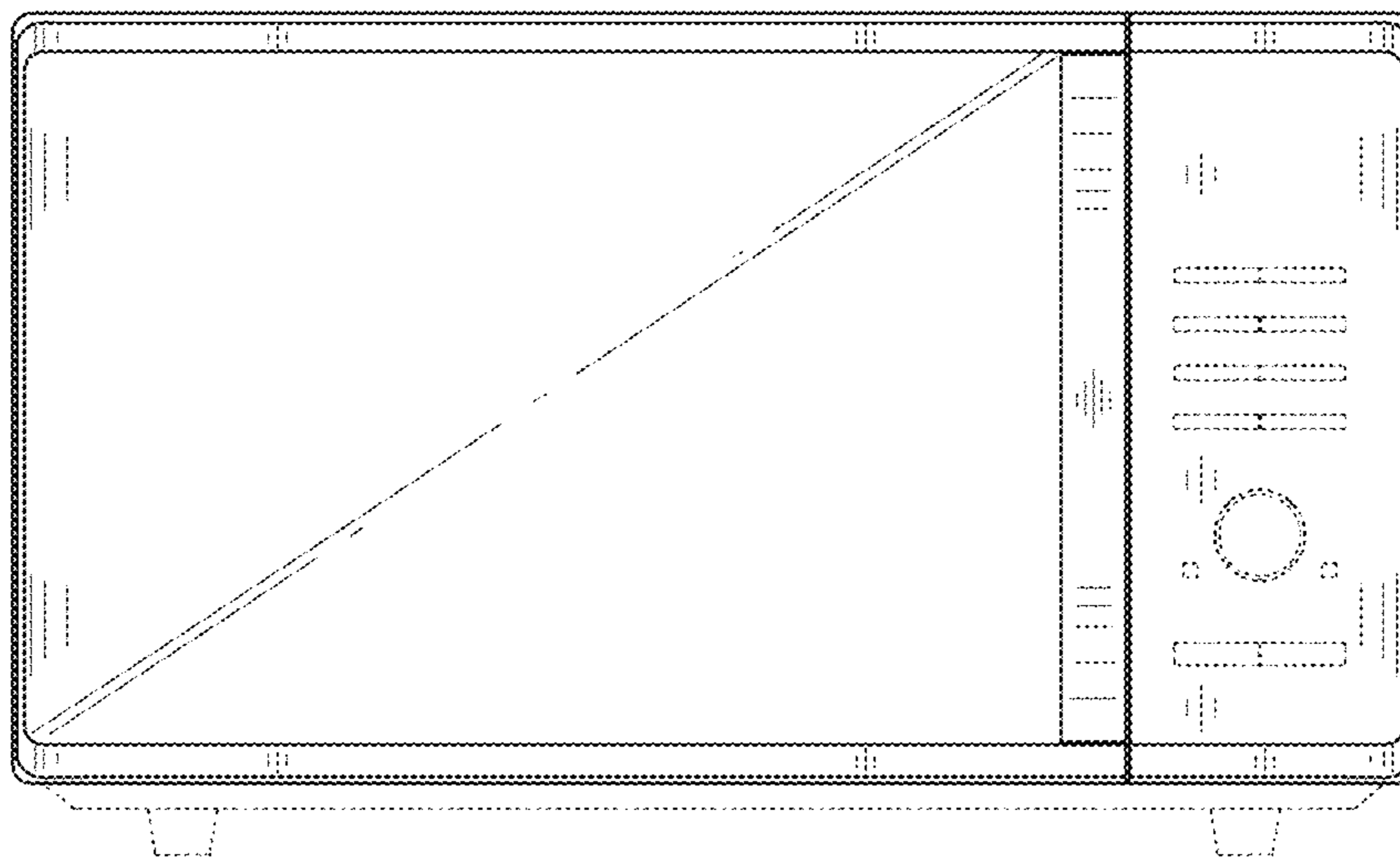


FIG. 3

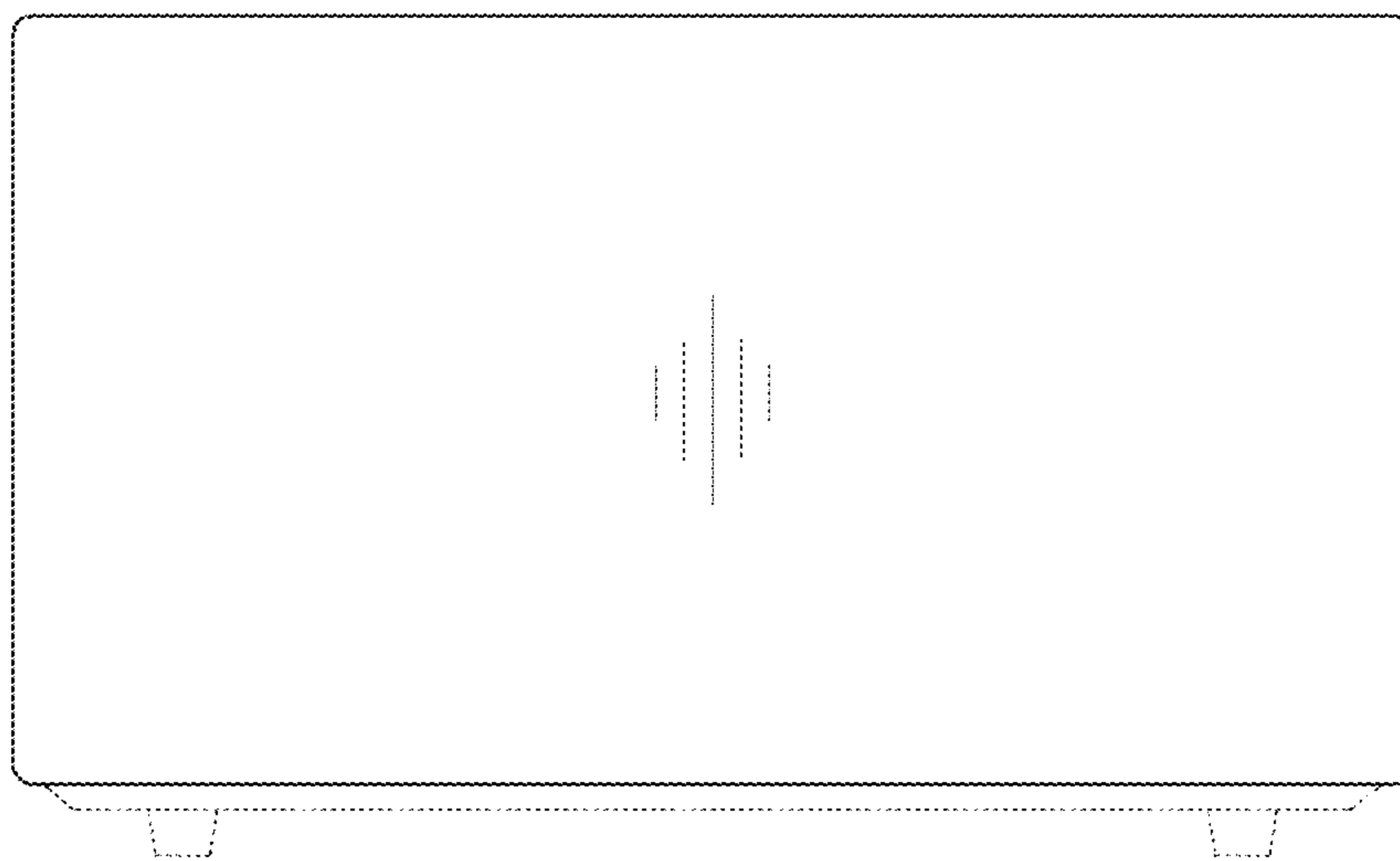


FIG. 4

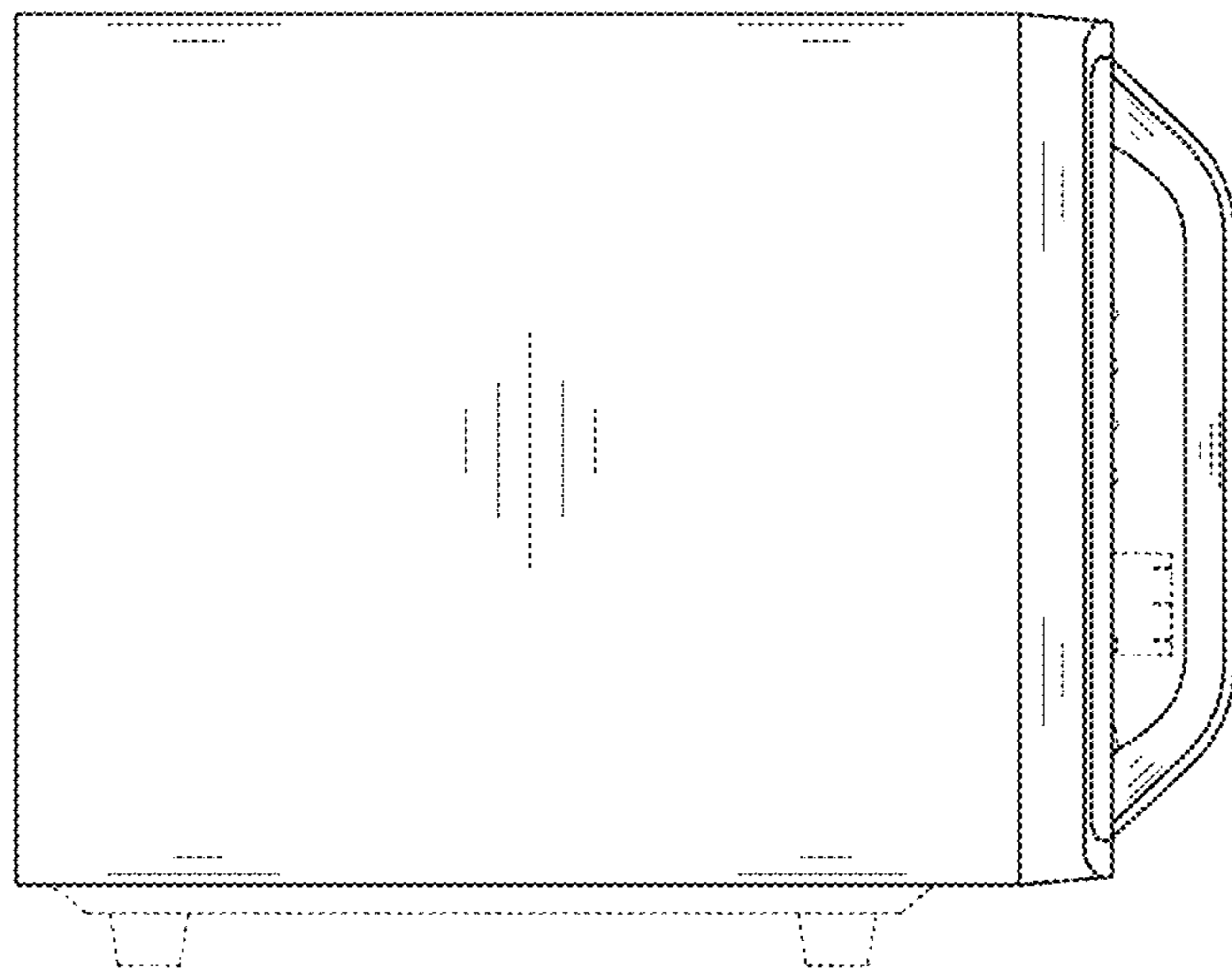


FIG. 5

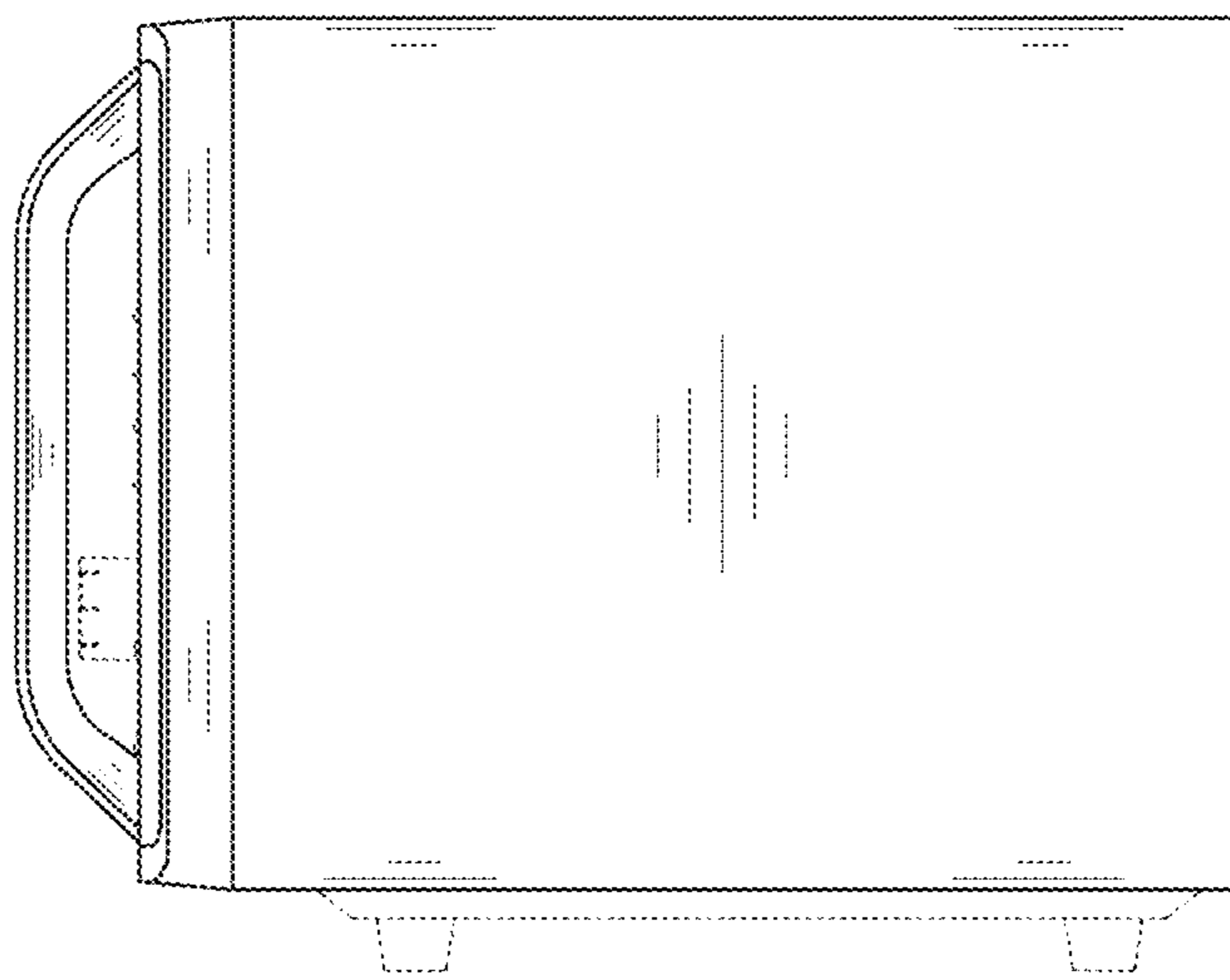


FIG. 6

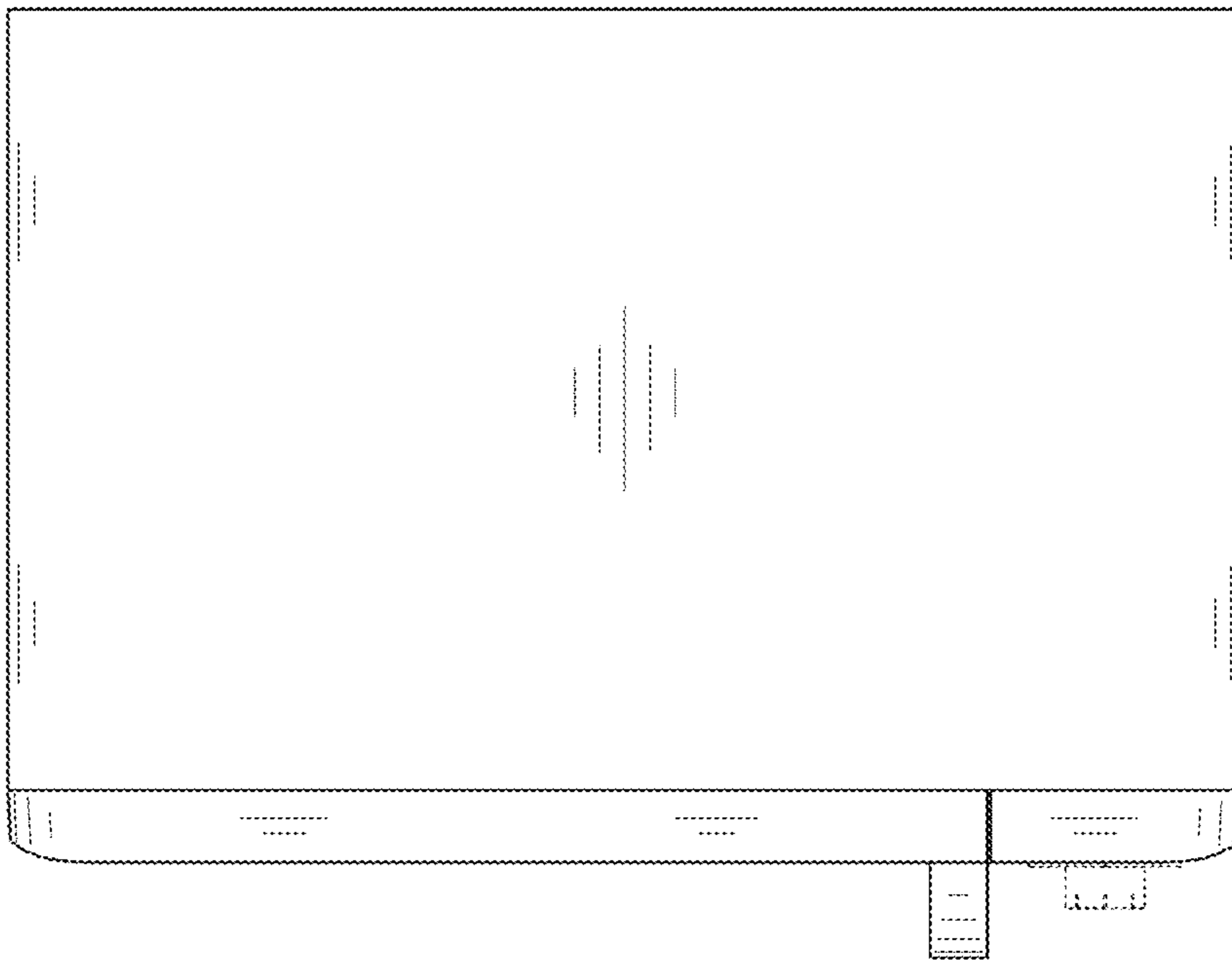


FIG. 7

