



US00D773232S

(12) **United States Design Patent** (10) **Patent No.:** **US D773,232 S**
Shoemaker et al. (45) **Date of Patent:** **** Dec. 6, 2016**

(54) **OVEN**

(56) **References Cited**

(71) Applicant: **Sears Brands, L.L.C.**, Hoffman Estates, IL (US)

U.S. PATENT DOCUMENTS

(72) Inventors: **Anthony Shoemaker**, Bartlett, IL (US); **Jason Silverstein**, Hoffman Estates, IL (US); **Daniel Green**, Charlotte, NC (US); **Roddy Burgess**, Charlotte, NC (US)

D564,282 S *	3/2008	Suh	D7/340
D578,823 S *	10/2008	Kim	D7/340
D610,863 S *	3/2010	Kim	D7/340
D615,345 S *	5/2010	Grey	D7/346
D617,133 S *	6/2010	Grey	D7/340
D653,900 S *	2/2012	Kim	D7/340
D655,128 S *	3/2012	Kim	D7/340
D685,602 S *	7/2013	Lee	D7/340
D697,358 S *	1/2014	Kim	D7/340
D700,469 S *	3/2014	Reay	D7/340
D702,988 S *	4/2014	Boo	D7/340
D731,845 S *	6/2015	Kim	D7/340
D736,553 S *	8/2015	Funnell, II	D7/339

(73) Assignee: **SEARS BRANDS, L.L.C.**, Hoffman Estates, IL (US)

(**) Term: **15 Years**

* cited by examiner

(21) Appl. No.: **29/528,382**

Primary Examiner — Ricky Pham

(22) Filed: **May 28, 2015**

(74) *Attorney, Agent, or Firm* — McAndrews, Held & Malloy, Ltd.

(51) **LOC (10) Cl.** **07-02**

(52) **U.S. Cl.**
USPC **D7/339**; D7/348

(57) **CLAIM**

The ornamental design for an oven, as shown and described.

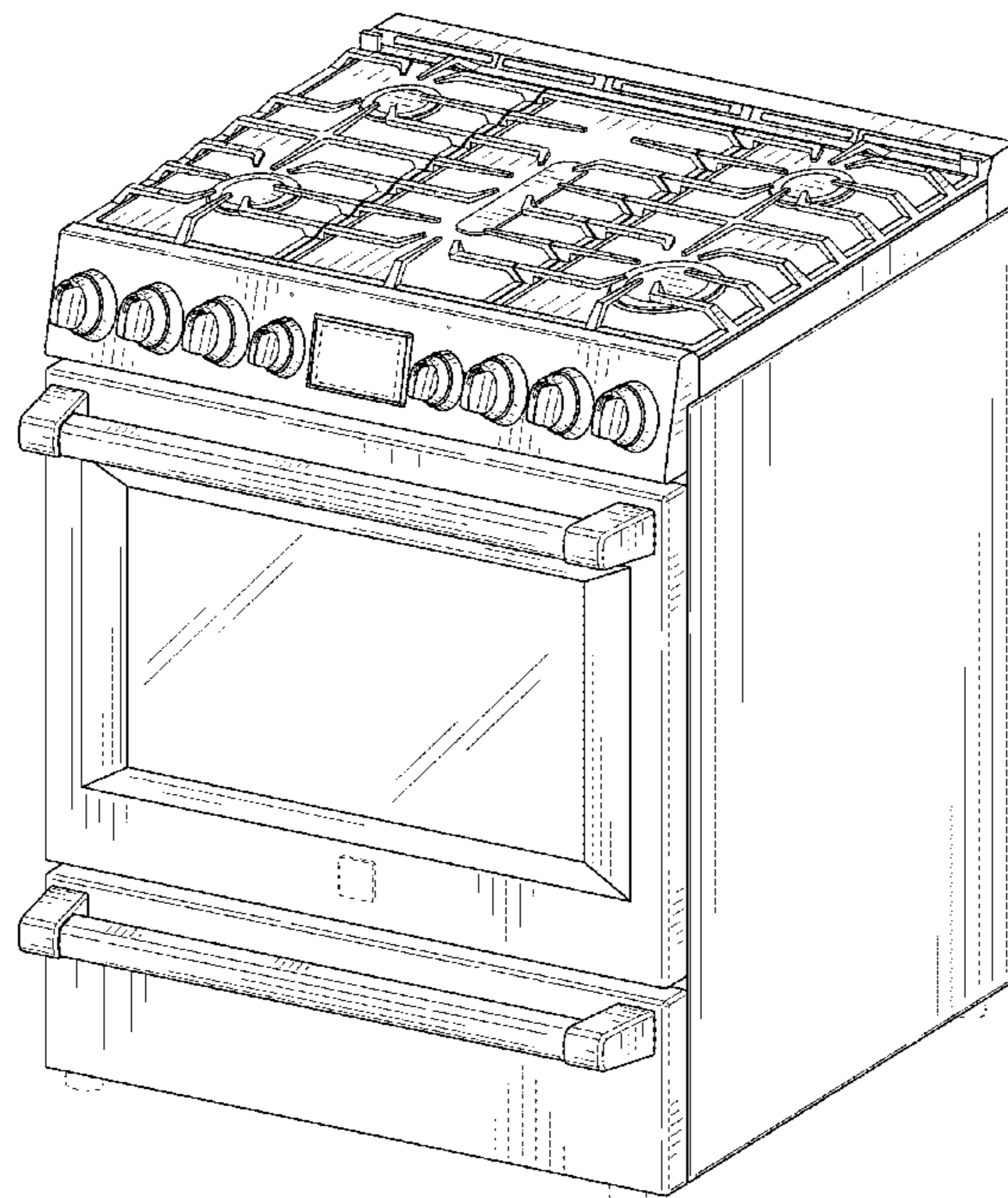
(58) **Field of Classification Search**
USPC D7/323, 328–330, 339–349, 390, D7/402–406; D8/300–306
CPC A21B 2/00; A47J 37/00; A47J 37/06; A47J 37/0611; A47J 37/08; A47J 37/0807; A47J 37/0814; A47J 37/0835; A47J 37/0842; A47J 37/085; A47J 37/0864; A47J 37/0878; A47J 37/0885; A47J 37/0892; F24C 7/00; F24C 7/002; F24C 7/046; F24C 7/067; F24C 15/02; F24C 15/04; F24C 15/10; F24C 15/102

DESCRIPTION

FIG. 1 is a top right front perspective view of an oven showing our new design;
FIG. 2 is a front view thereof;
FIG. 3 is a left-side elevation view thereof;
FIG. 4 is a right-side elevation view thereof;
FIG. 5 is a top plan view thereof; and,
FIG. 6 is a bottom plan view thereof.
The dashed broken lines illustrate portions of the oven that form no part of the claimed design.

See application file for complete search history.

1 Claim, 6 Drawing Sheets



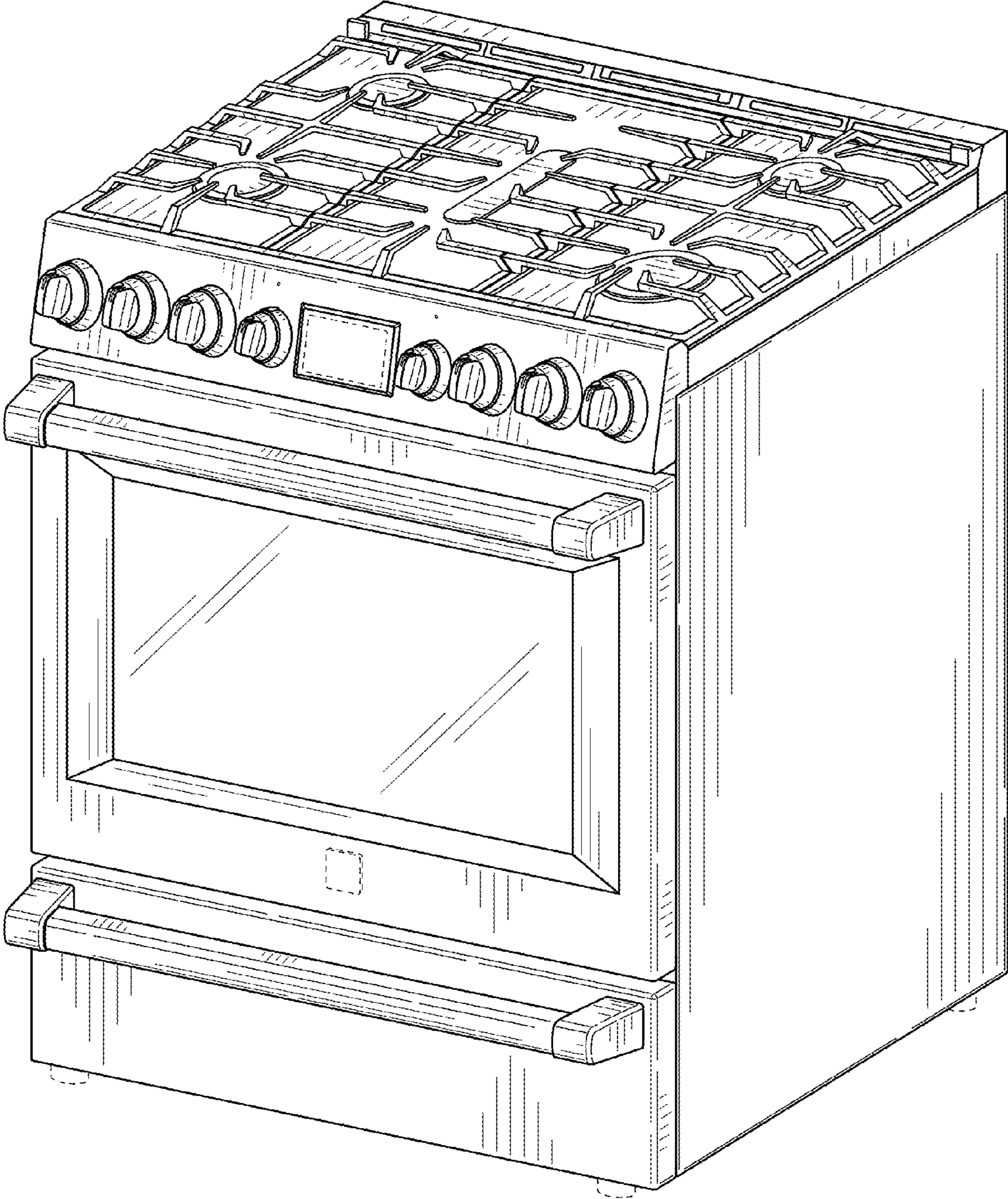


FIG. 1

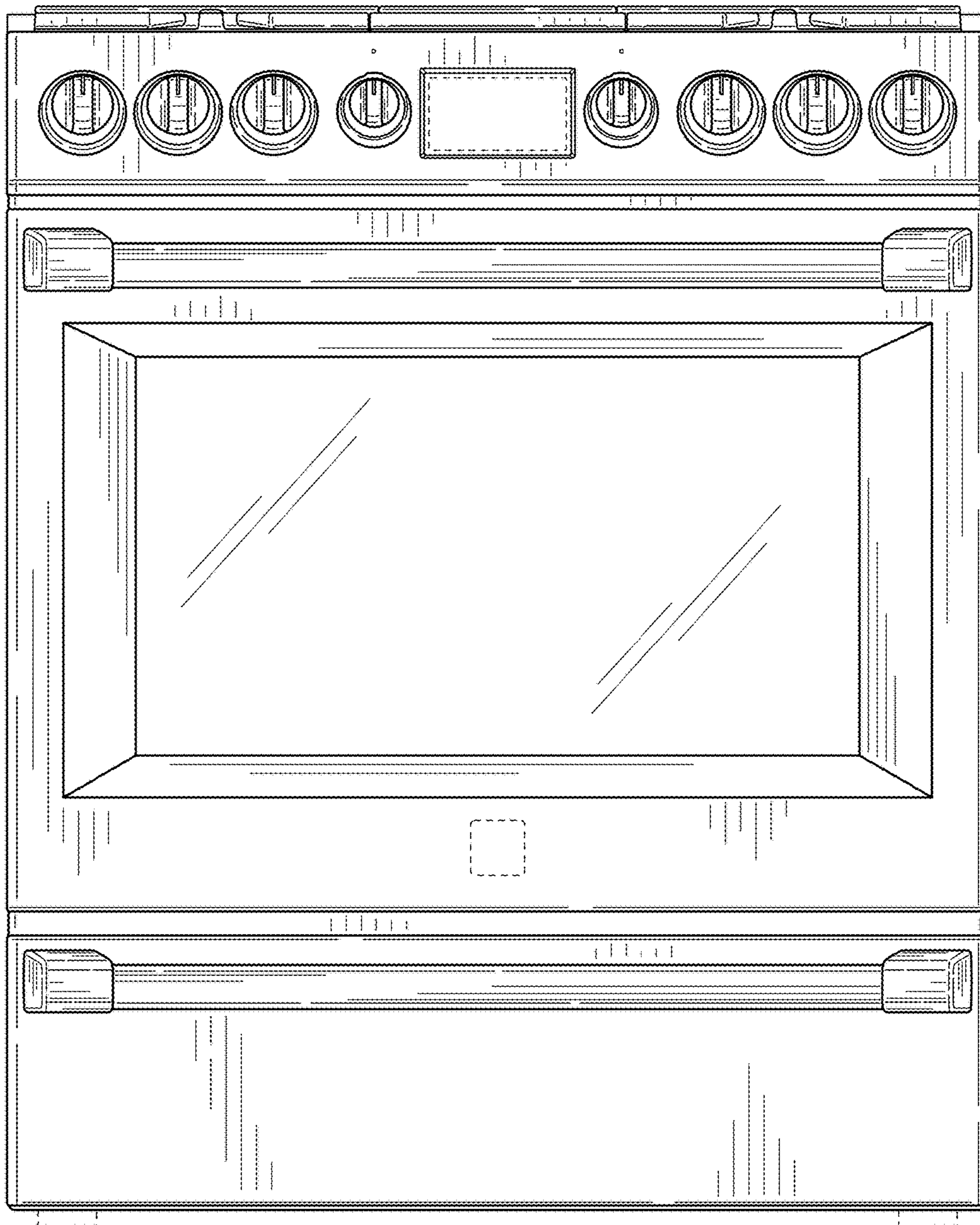


FIG. 2



FIG. 3

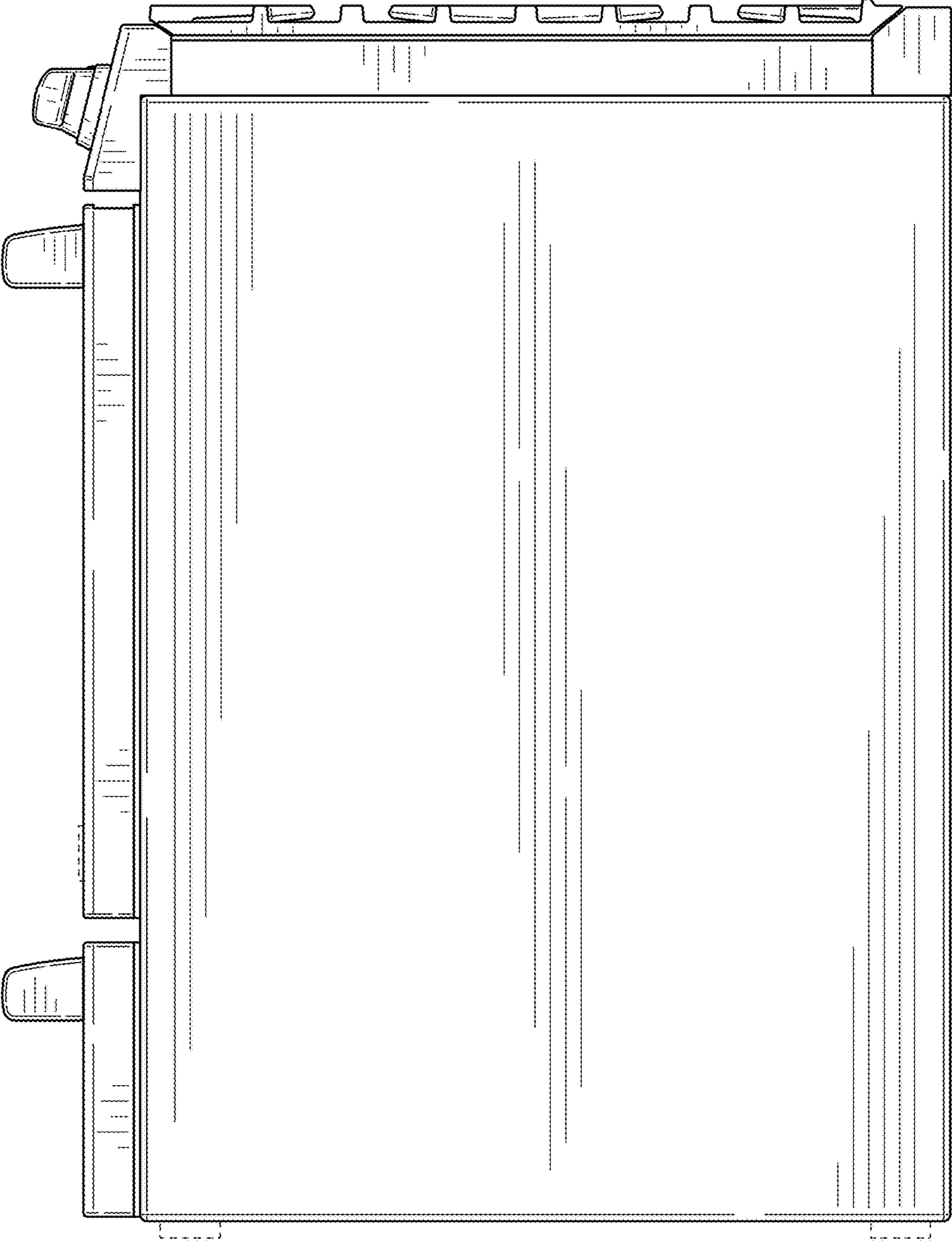


FIG. 4

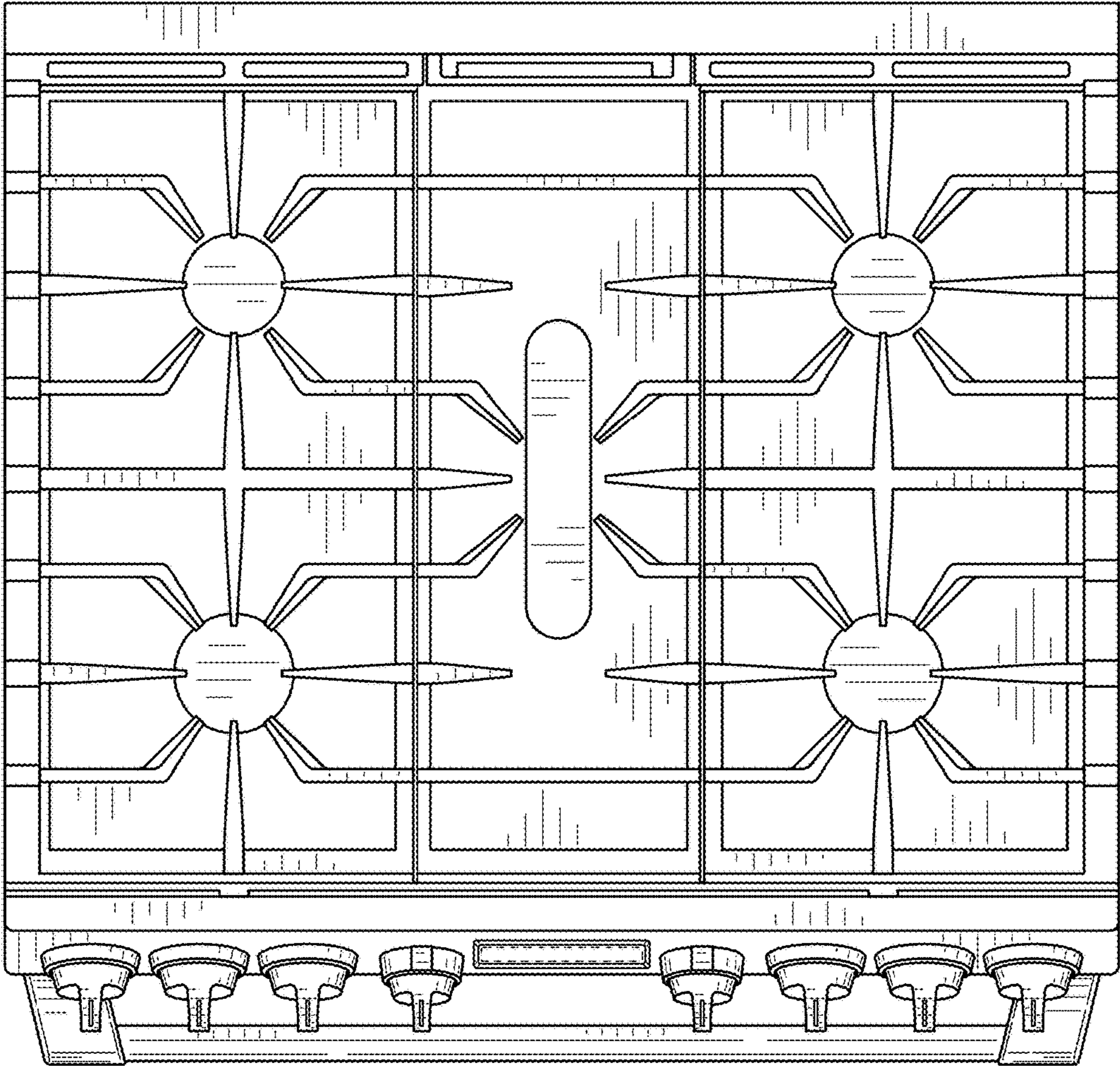


FIG. 5

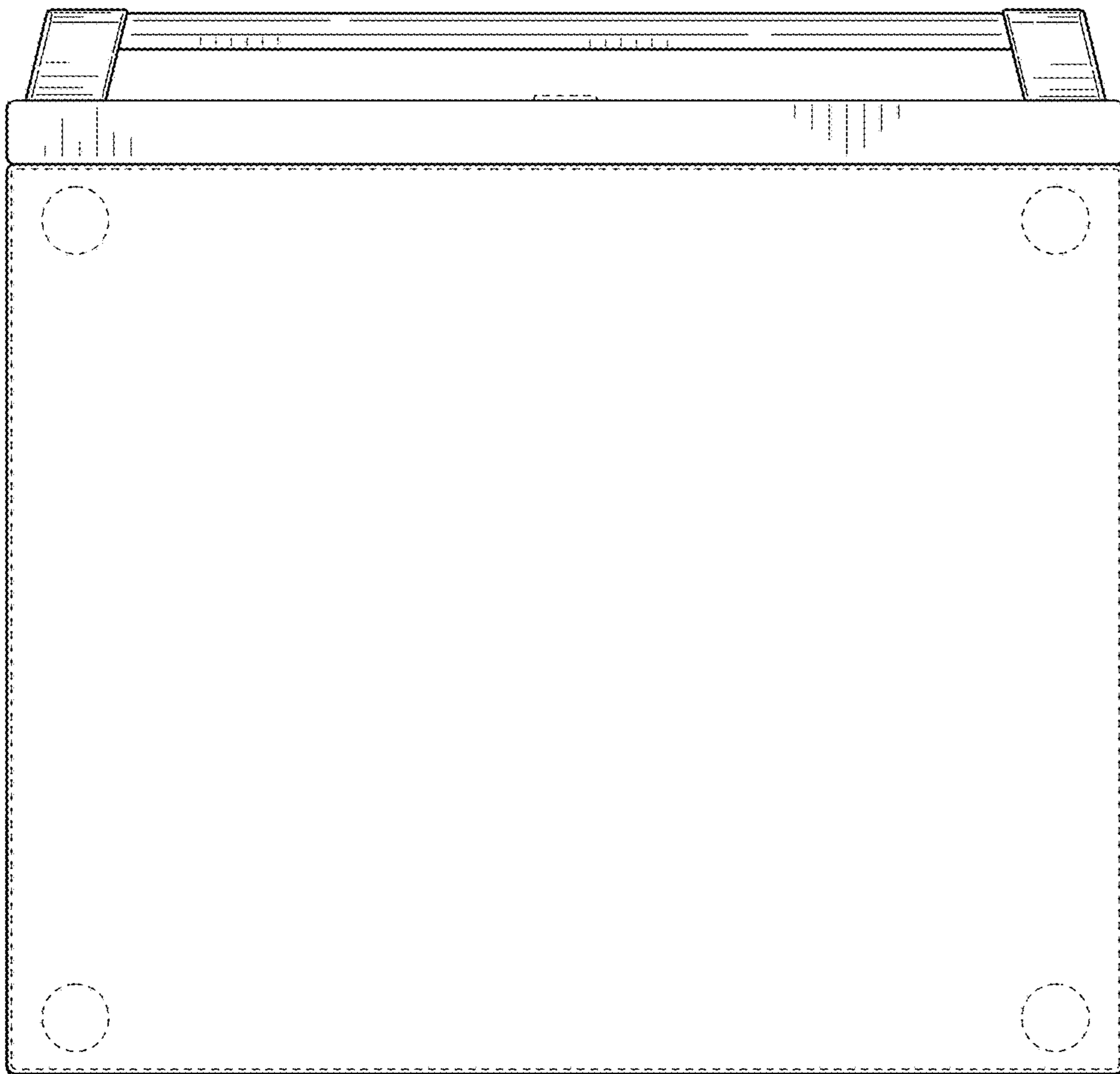


FIG. 6