



US00D773230S

(12) **United States Design Patent**
Franzolin

(10) **Patent No.:** **US D773,230 S**
(45) **Date of Patent:** **** Dec. 6, 2016**

(54) **OVEN**
(71) Applicant: **UNOX S.p.A.**, Cadoneghe (PD) (IT)
(72) Inventor: **Enrico Franzolin**, Cadoneghe (IT)
(73) Assignee: **UNOX S.P.A.**, Cadoneghe (PD) (IT)
(**) Term: **14 Years**
(21) Appl. No.: **29/526,359**
(22) Filed: **May 8, 2015**

(30) **Foreign Application Priority Data**
Dec. 24, 2014 (EM) 002605634

(51) **LOC (10) Cl.** **07-02**
(52) **U.S. Cl.**
USPC **D7/339**

(58) **Field of Classification Search**
USPC D7/306, 307, 323, 326,
328-330,D7/339-349, 350.1-350.4, 351,
390, 402-406; D8/300-306
CPC A21B 2/00; A47J 27/04; A47J 37/00;
A47J 37/06; A47J 37/0611; A47J 37/08;
A47J 37/0807; A47J 37/0814; A47J
37/0835; A47J 37/0842; A47J
37/085; A47J 37/0864; A47J
37/0878; A47J 37/0885; A47J 37/0892;
F24C 7/00; F24C 7/002; F24C
7/046; F24C 7/067; F24C 7/087; F24C
15/02; F24C 15/04; F24C 15/10; F24C
15/102

See application file for complete search history.

(56) **References Cited**
U.S. PATENT DOCUMENTS

D202,185 S * 9/1965 Meissner D7/351
D318,775 S * 8/1991 Bonnet D7/350.3

D340,832 S * 11/1993 Macchi D7/300
D341,747 S * 11/1993 Connell D7/339
D343,090 S * 1/1994 Connell D7/339
D384,544 S * 10/1997 Lieblein D7/350.4
D560,421 S * 1/2008 Davis D7/348
D560,960 S * 2/2008 Hillmann D7/350.1
D567,571 S * 4/2008 Hillmann D7/347
D568,089 S * 5/2008 Hillmann D7/347
D573,400 S * 7/2008 Olson D7/339
D598,236 S * 8/2009 Dyson D7/328
D601,847 S * 10/2009 Gammack D7/306
D609,958 S * 2/2010 Chung D7/330
D611,753 S * 3/2010 Gammack D7/306
D657,184 S * 4/2012 Segato D7/348
D657,185 S * 4/2012 Segato D7/348
D657,989 S * 4/2012 Segato D7/348
D669,727 S * 10/2012 Pagano D7/307
D679,934 S * 4/2013 Majdecki, Jr. D7/326
D702,482 S * 4/2014 Davis D7/350.1
D704,981 S * 5/2014 Gates D7/332
D722,468 S * 2/2015 Yamamoto D7/351
D739,675 S * 9/2015 Hartkorn D7/328

(Continued)

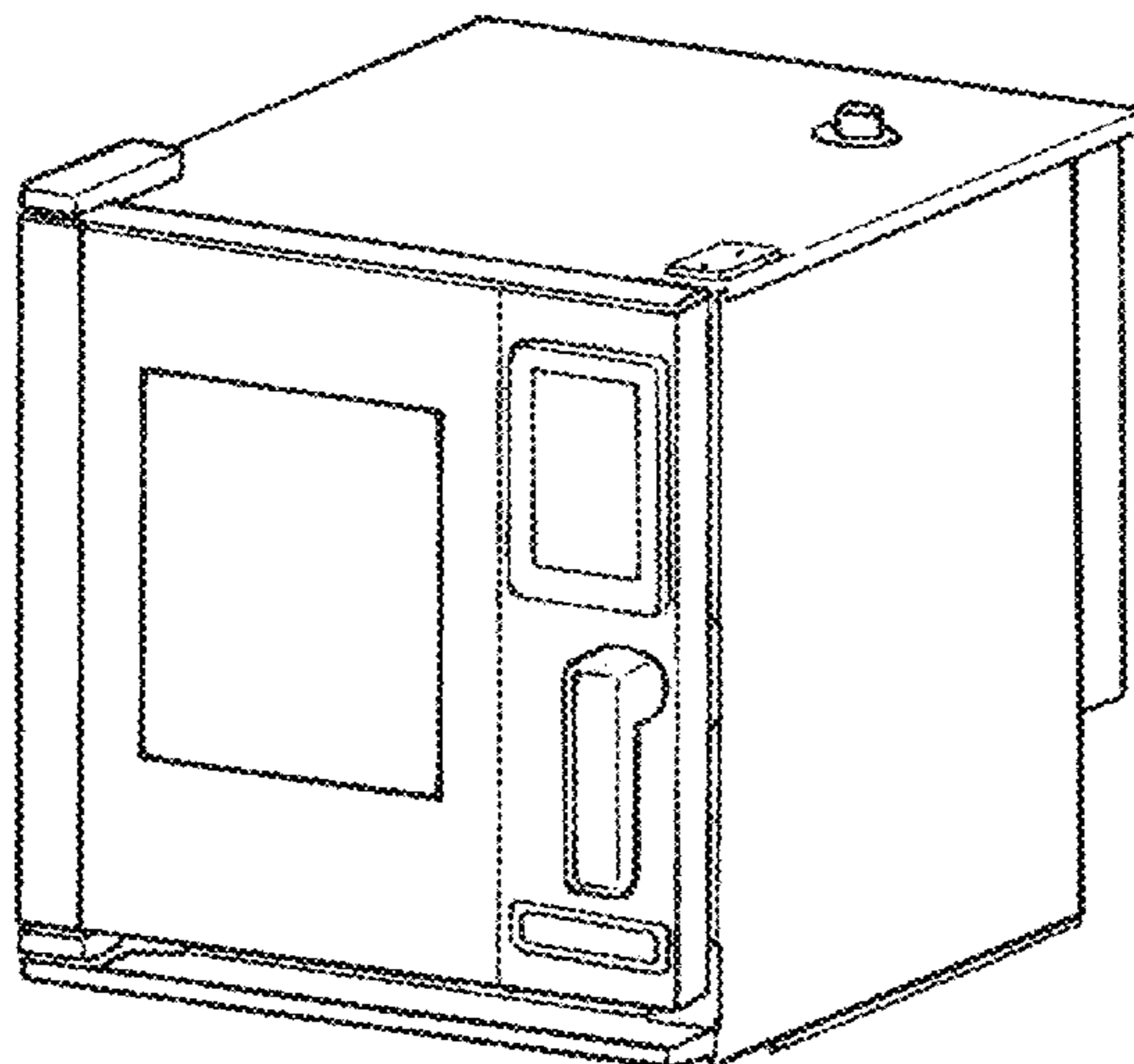
Primary Examiner — Ricky Pham
(74) *Attorney, Agent, or Firm* — Kristina Castellano;
Castellano PLLC

(57) **CLAIM**
The ornamental design for an oven, as shown.

DESCRIPTION

FIG. 1 is a perspective view of an oven according to the present design;
FIG. 2 is a right side elevational view thereof;
FIG. 3 is a front elevational view thereof;
FIG. 4 is a left side elevational view thereof;
FIG. 5 is a top plan view thereof;
FIG. 6 is a bottom plan view thereof;
FIG. 7 is a rear elevational view thereof; and,
FIG. 8 is a front elevational view of the oven according to the present design.

1 Claim, 4 Drawing Sheets



(56)

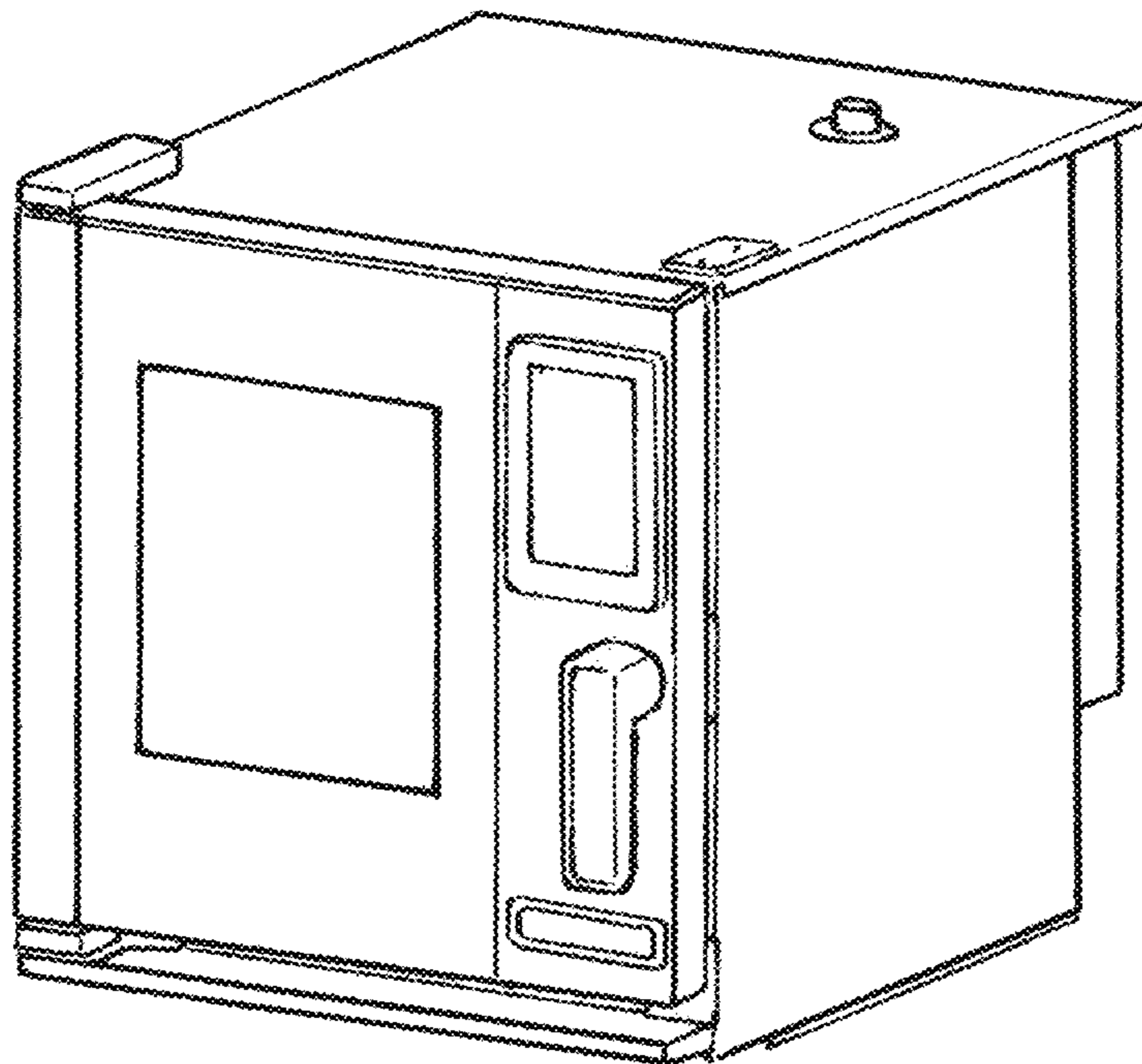
References Cited

U.S. PATENT DOCUMENTS

2003/0178411 A1* 9/2003 Manganiello A47J 27/04
219/496
2006/0081592 A1* 4/2006 Williams F24C 7/087
219/401

* cited by examiner

FIG. 1



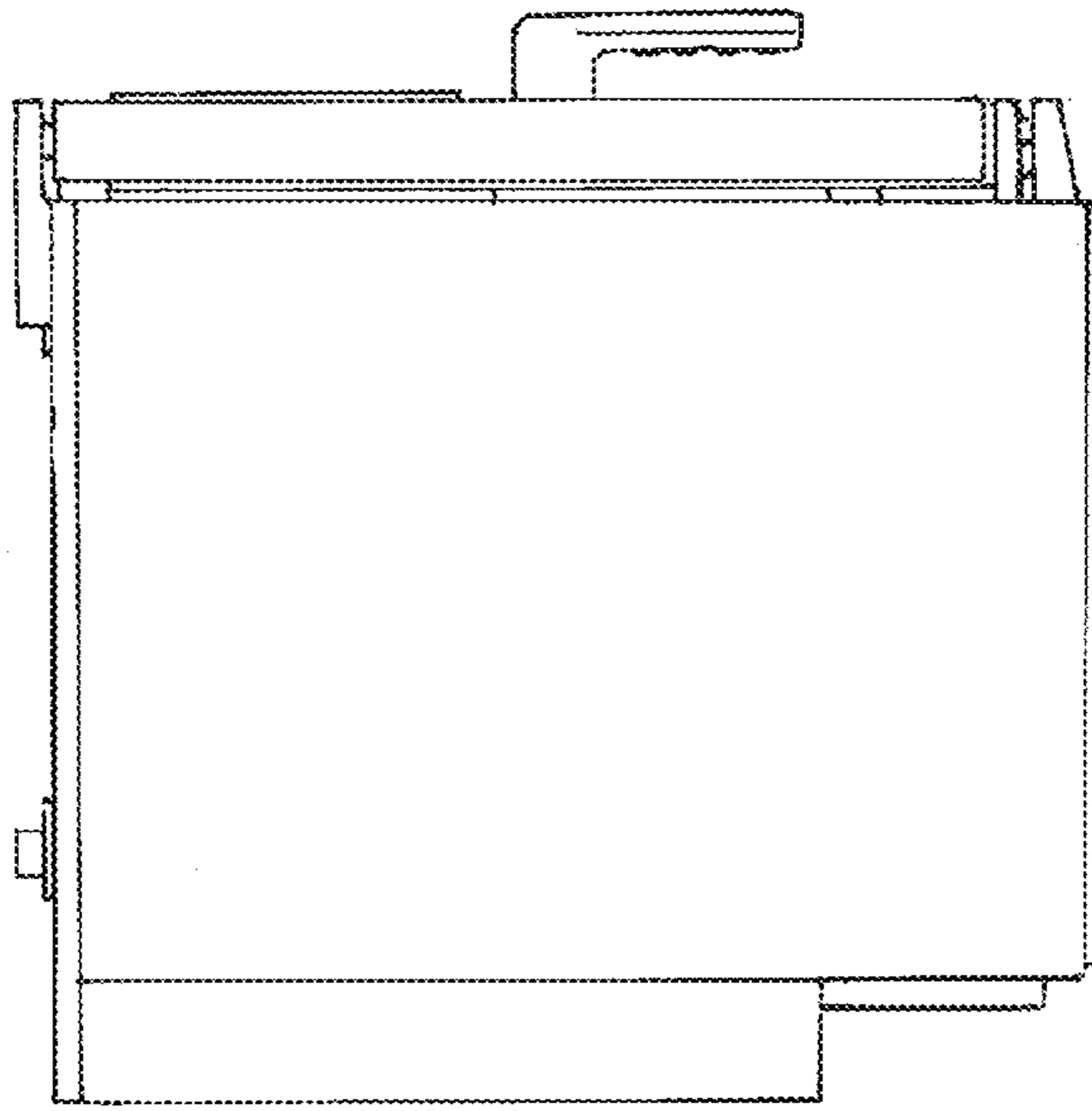


FIG. 2

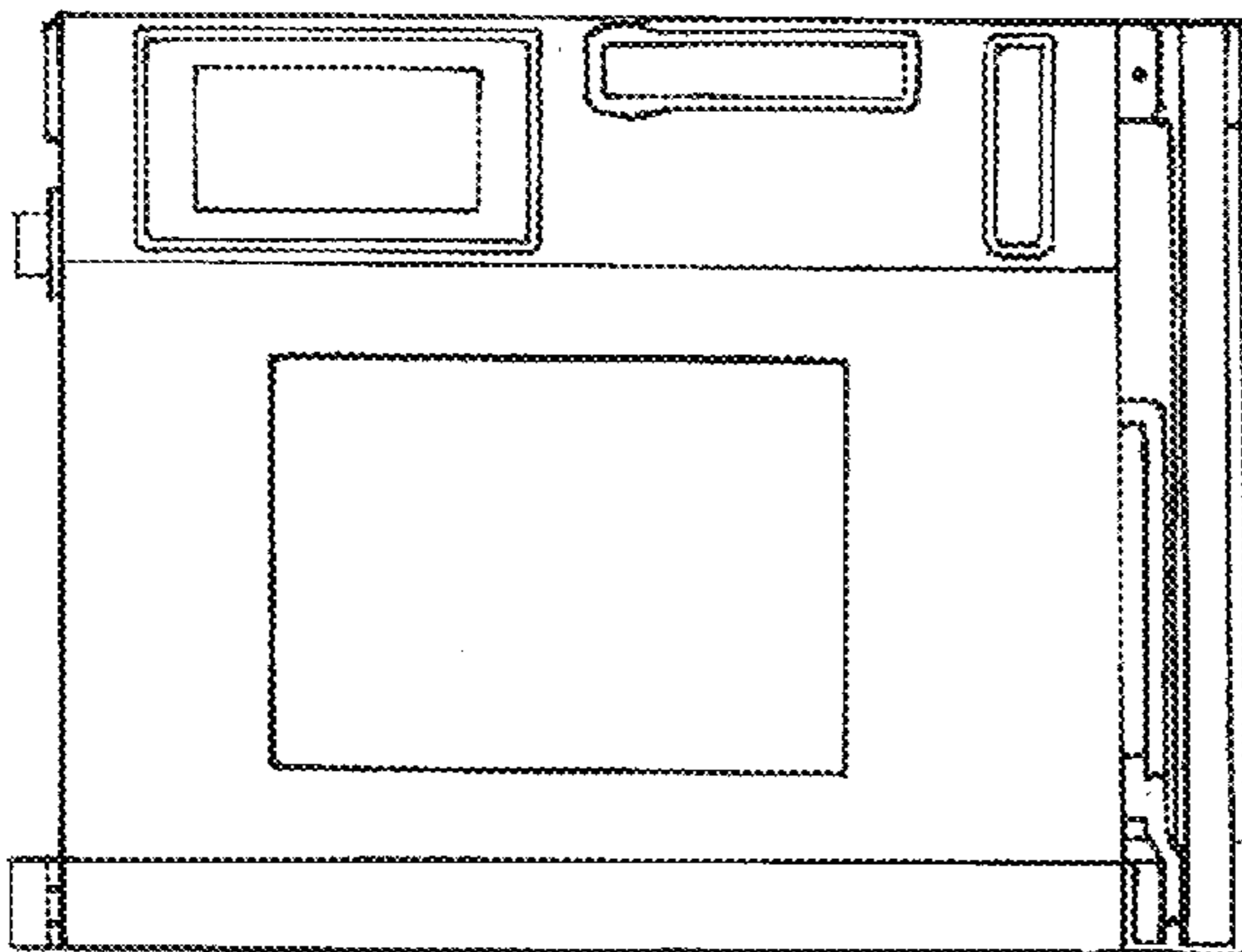


FIG. 3

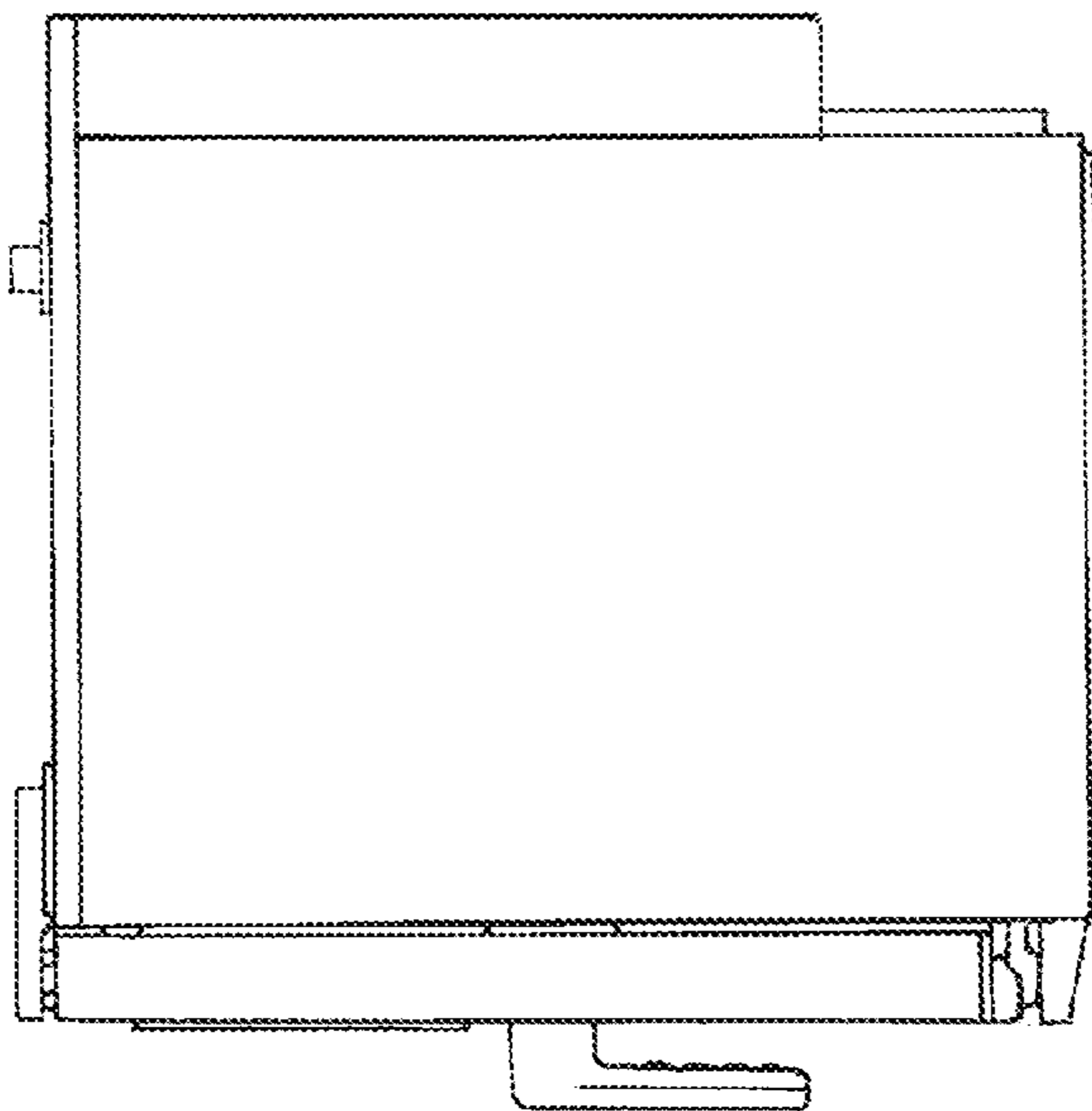


FIG. 4

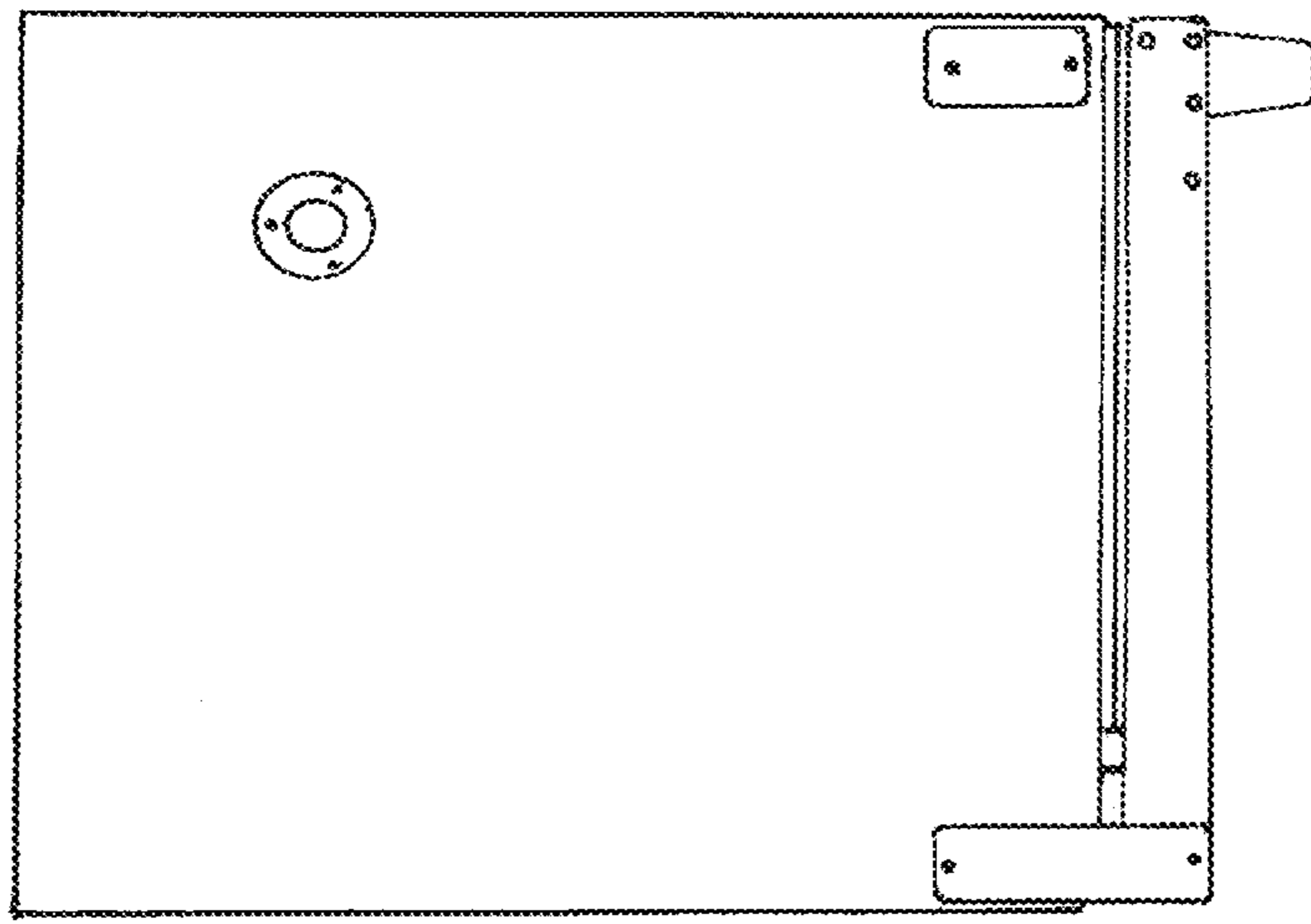


FIG. 5

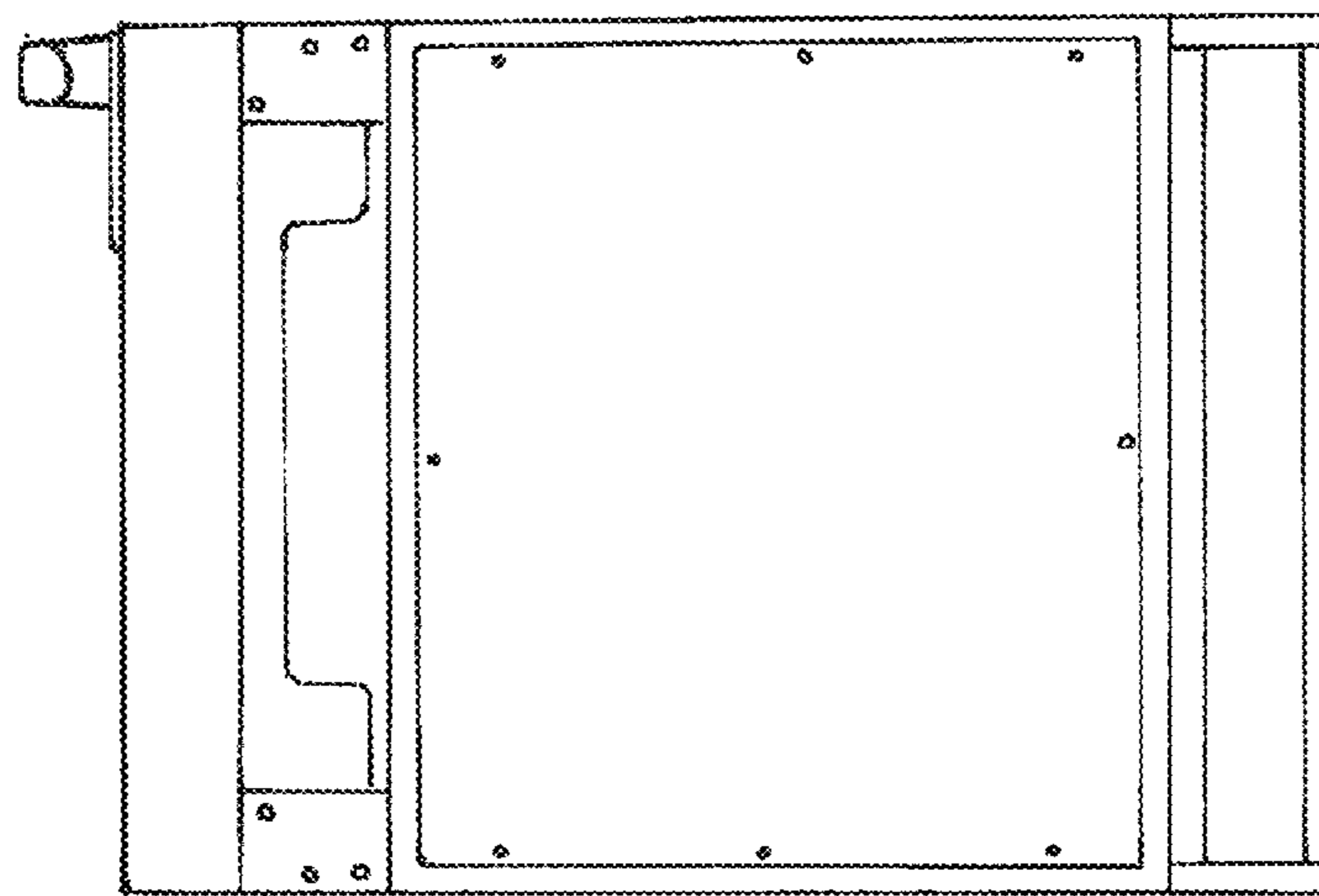


FIG. 6

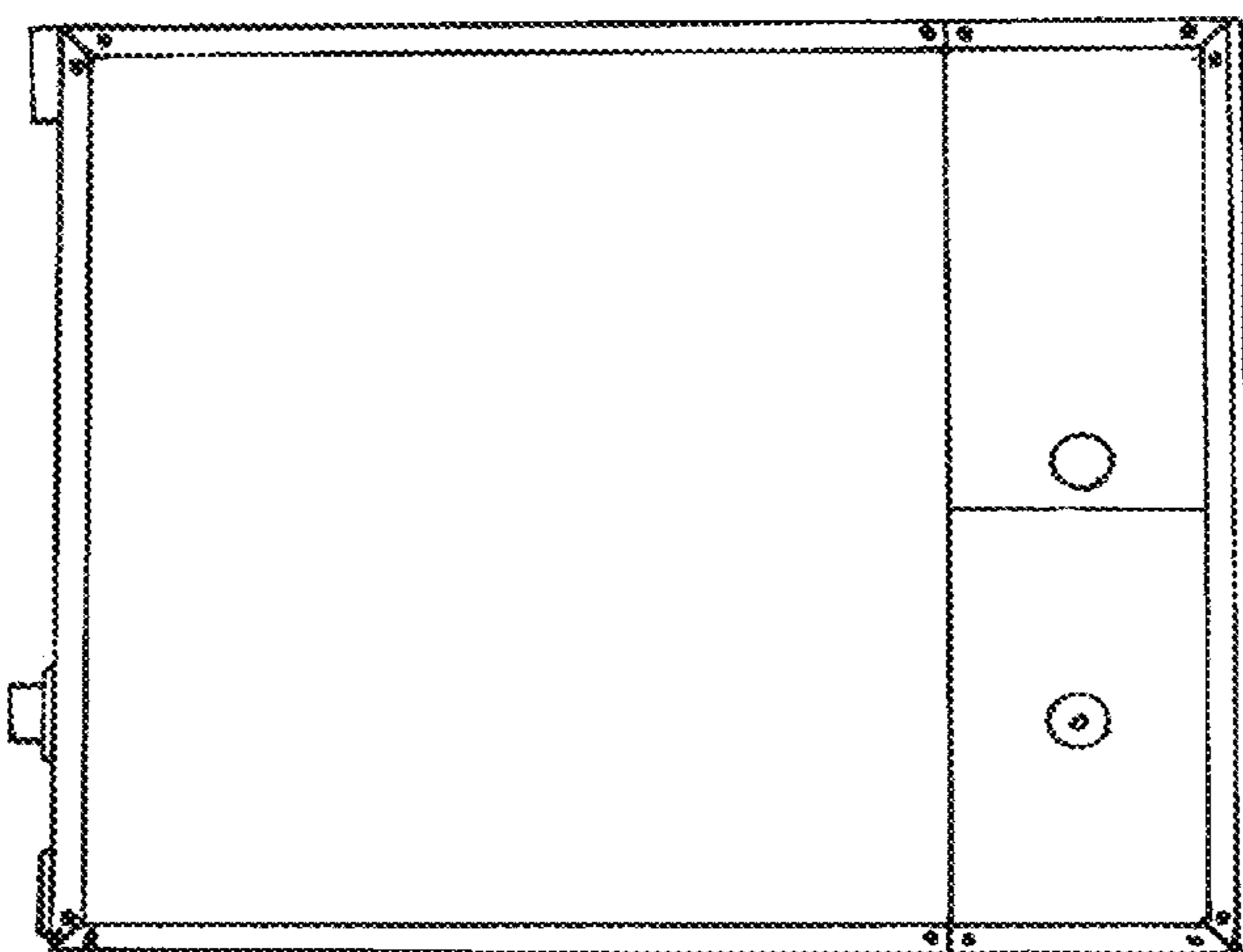


FIG. 7

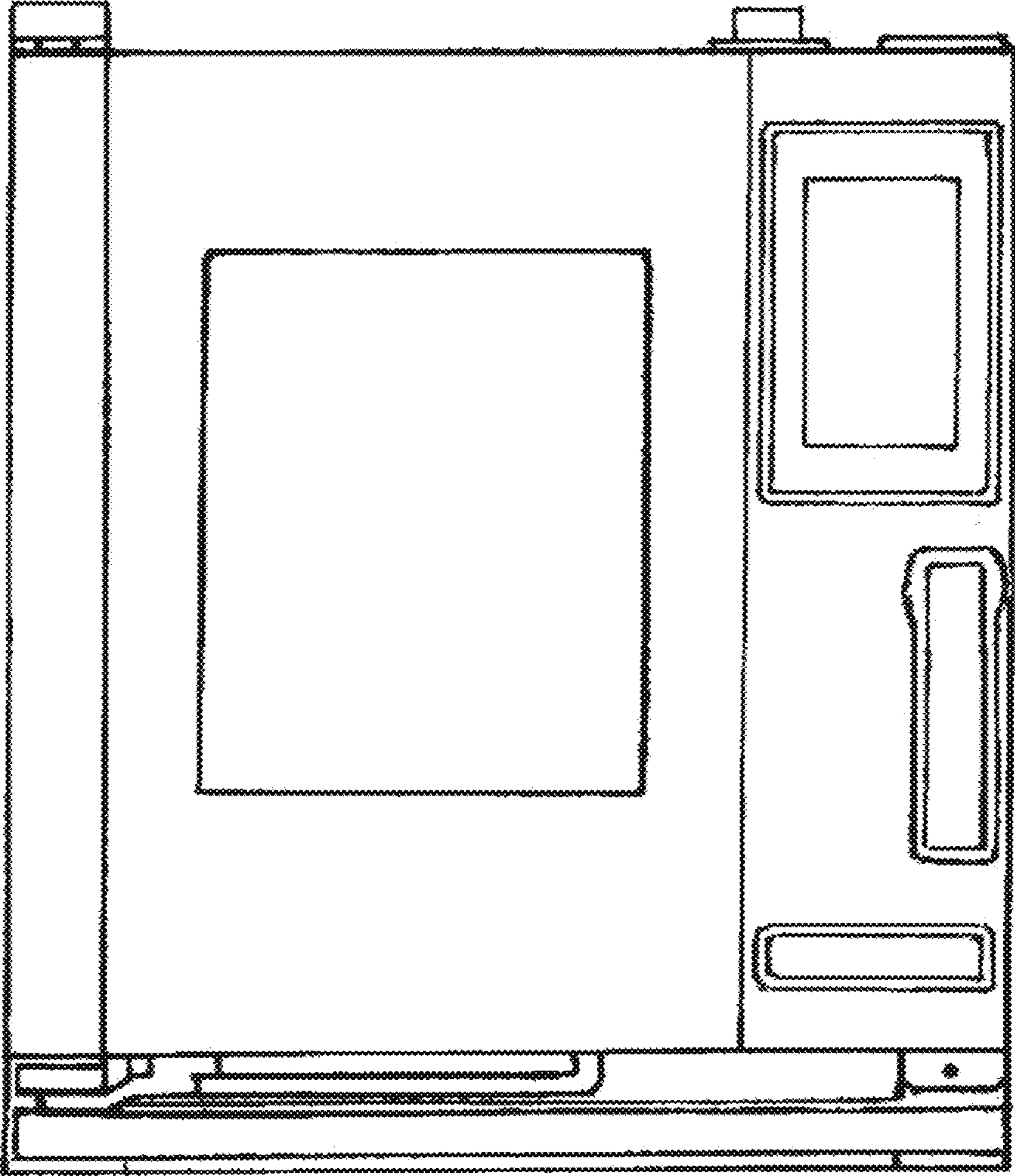


FIG. 8