



US00D773229S

(12) **United States Design Patent** (10) **Patent No.:** **US D773,229 S**  
**Jaggard et al.** (45) **Date of Patent:** **\*\* Dec. 6, 2016**

(54) **GRILL**  
(71) Applicant: **TEXAS CUSTOM GRILLS, LLC,**  
Katy, TX (US)  
(72) Inventors: **Hunter Ryan Jaggard,** Katy, TX (US);  
**Griffin Tyler Jaggard,** Katy, TX (US);  
**Stephen Hunter Jaggard,** Houston, TX  
(US); **Stephen Paul Dunn,** Houston,  
TX (US)  
(73) Assignee: **TCG Partners, LLC,** Katy, TX (US)

D386,936 S \* 12/1997 Stone ..... D7/332  
6,293,271 B1 \* 9/2001 Barbour ..... A47J 37/0704  
126/25 R  
D462,563 S \* 9/2002 Bossler ..... D7/334  
D463,195 S \* 9/2002 Jimenez ..... D7/332  
D463,708 S \* 10/2002 Bossler ..... D7/334  
D468,952 S \* 1/2003 Graham ..... D7/332  
D468,953 S \* 1/2003 Graham ..... D7/332  
D508,365 S \* 8/2005 Nipke ..... D7/334  
D520,804 S \* 5/2006 Lu ..... D7/335  
D524,592 S \* 7/2006 Brunner ..... D7/332  
D638,654 S \* 5/2011 Plott ..... D7/332  
D702,986 S \* 4/2014 Tomalin-Reeves ..... D7/332  
2010/0218754 A1 \* 9/2010 Kuntz ..... A47J 37/0786  
126/25 R

(\*\*) Term: **14 Years**

\* cited by examiner

(21) Appl. No.: **29/523,238**

*Primary Examiner* — Susan Bennett Hattan

(22) Filed: **Apr. 8, 2015**

*Assistant Examiner* — Brett Miller

(51) **LOC (10) Cl.** ..... **07-02**

(74) *Attorney, Agent, or Firm* — James P. Dossey; Dossey  
& Jones PLLC

(52) **U.S. Cl.**  
USPC ..... **D7/334**

(58) **Field of Classification Search**  
USPC ..... D7/332–337, 402, 323, 327,  
339–341, D7/403; D34/12, 17, 19, 20;  
D23/286

(57) **CLAIM**

The ornamental design for a grill, as shown and described.

CPC A47J 37/0704; A47J 37/0786; A47J 37/0763;  
A47J 37/0713; A47J 37/0781; A47J  
2037/0777; A47J 33/00; F24C 3/14; F24C  
7/10; F24C 15/18; F24C 15/12; F24B  
1/207

**DESCRIPTION**

See application file for complete search history.

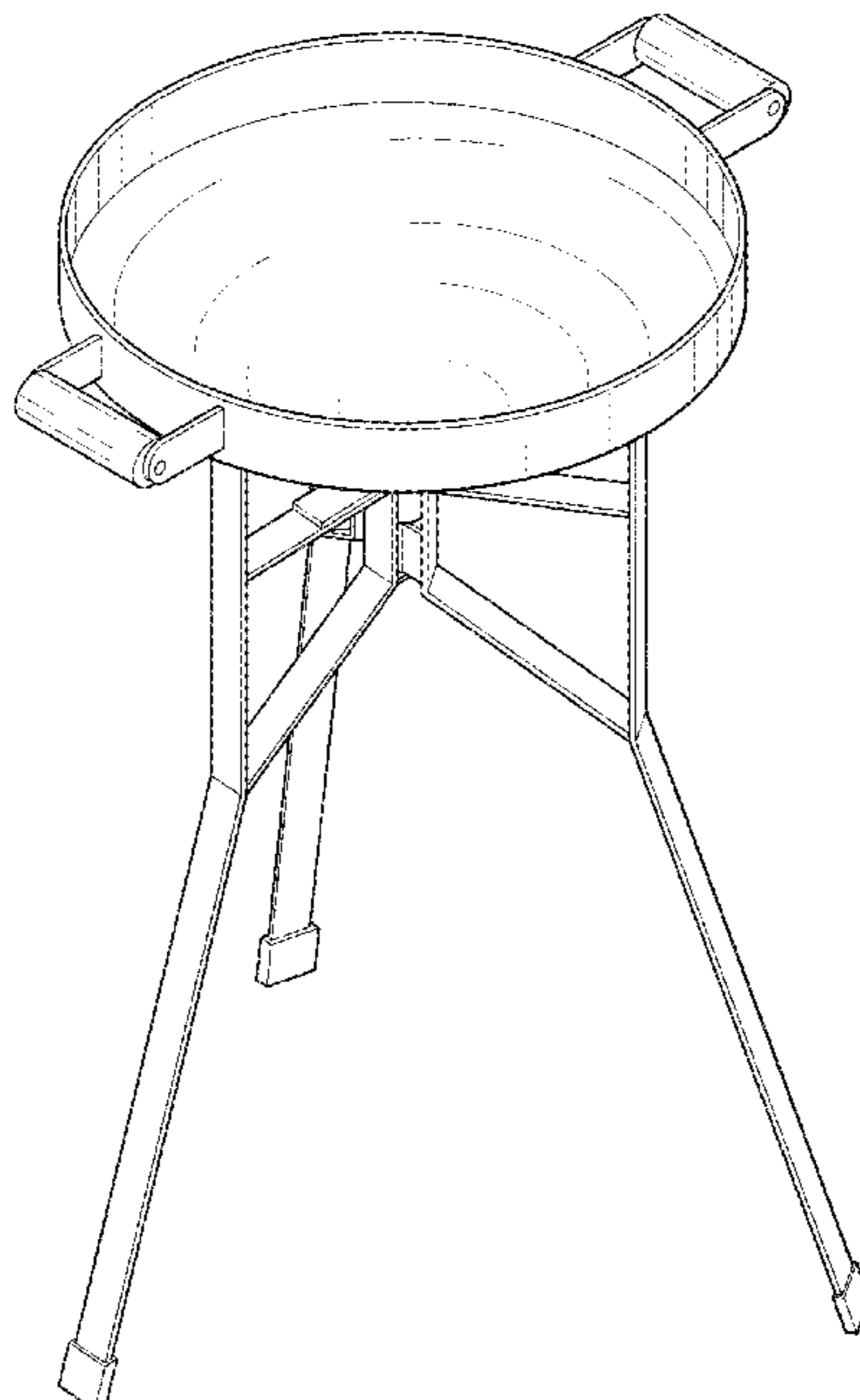
FIG. 1 is a frontal isometric view of an embodiment of the grill disclosed herein;  
FIG. 2 is a plain front view of the grill of FIG. 1;  
FIG. 3 is a plain back view of the grill of FIG. 1;  
FIG. 4 is a plain side view of the grill of FIG. 1;  
FIG. 5 is a plain top view of the grill of FIG. 1; and,  
FIG. 6 is a plain bottom view of the grill of FIG. 1.

(56) **References Cited**

**U.S. PATENT DOCUMENTS**

2,932,479 A \* 4/1960 Leach ..... A47J 37/0786  
108/121  
D271,935 S \* 12/1983 Conner ..... D7/332

**1 Claim, 5 Drawing Sheets**



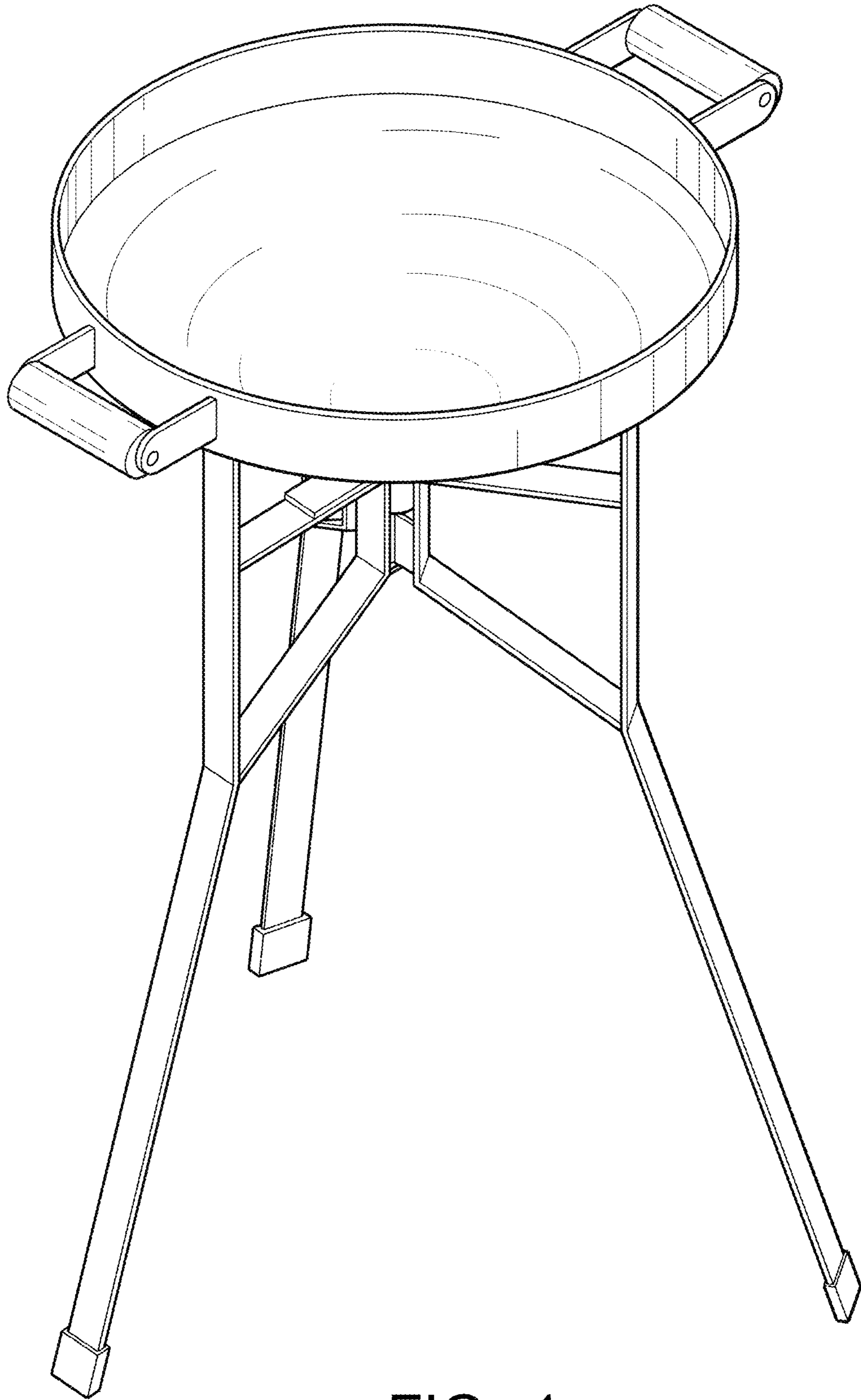


FIG. 1

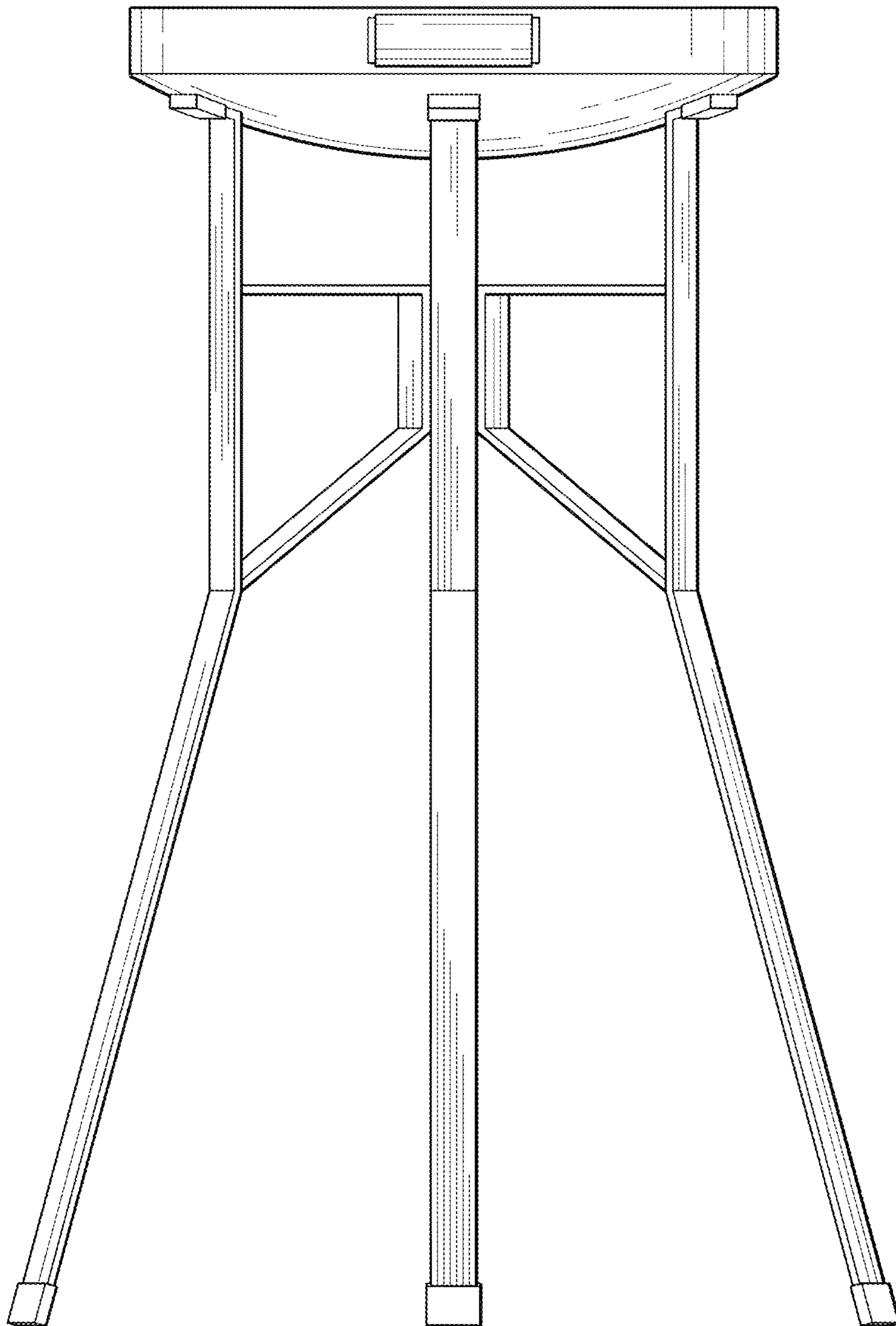


FIG. 2

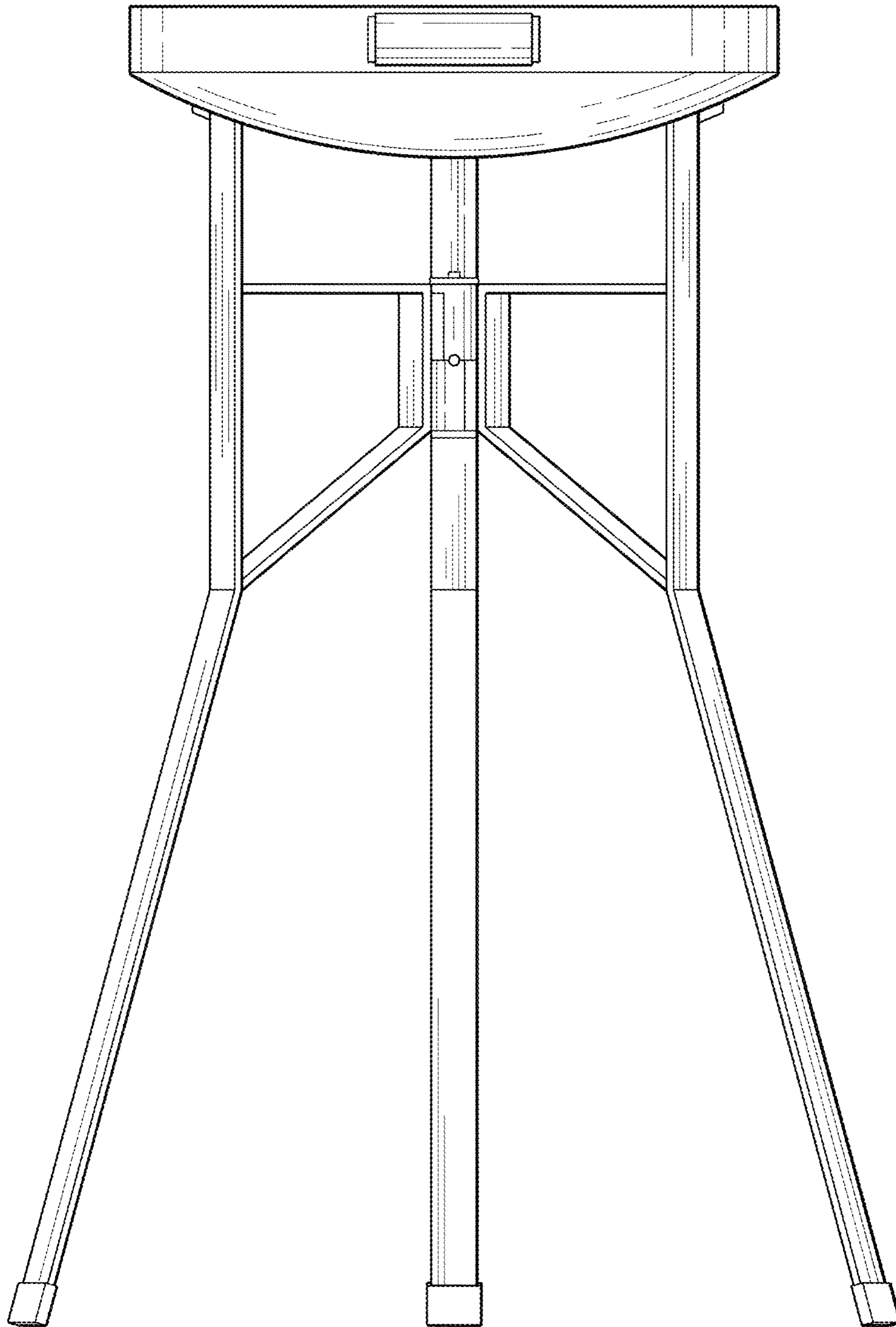


FIG. 3

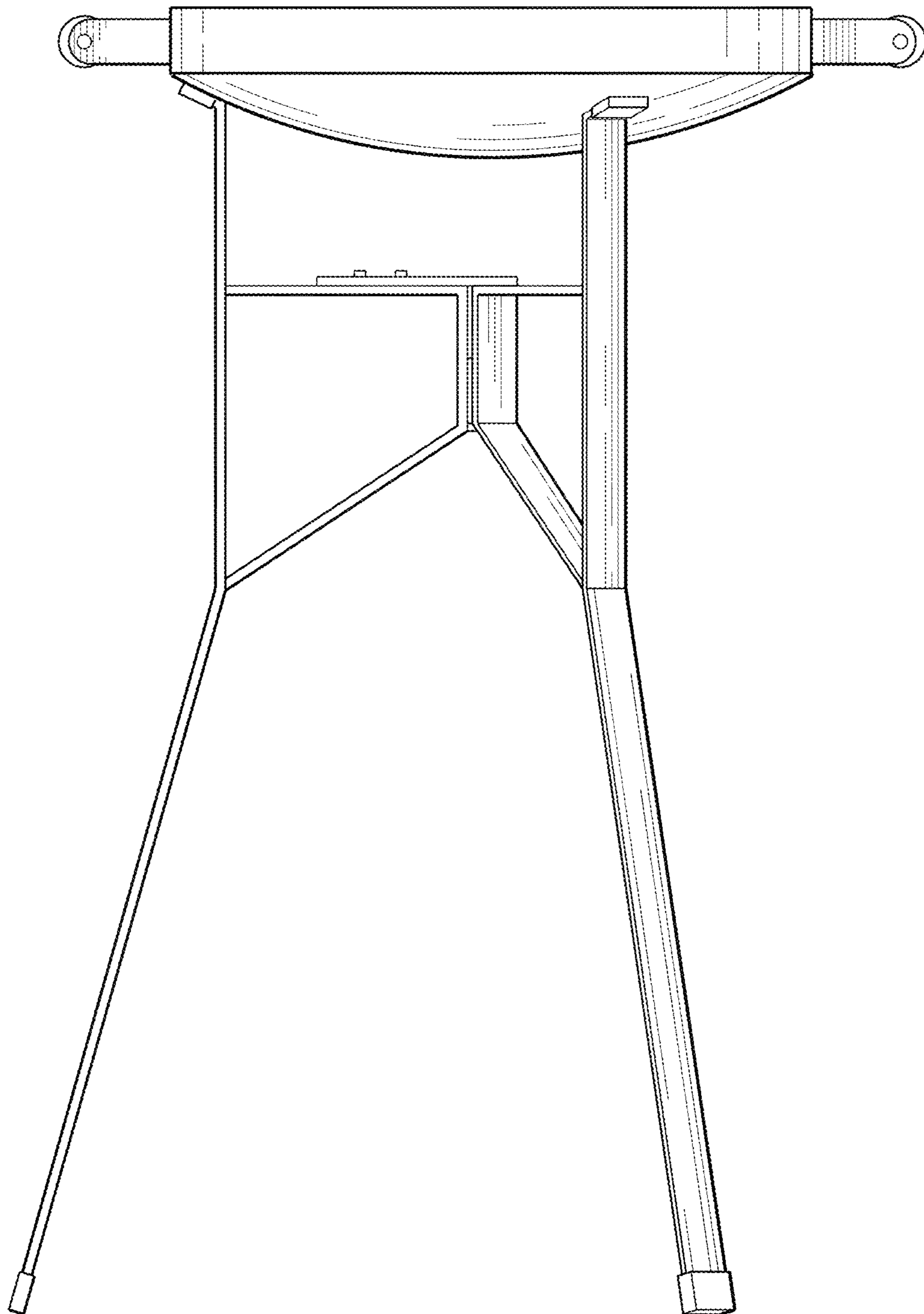


FIG. 4

FIG. 5

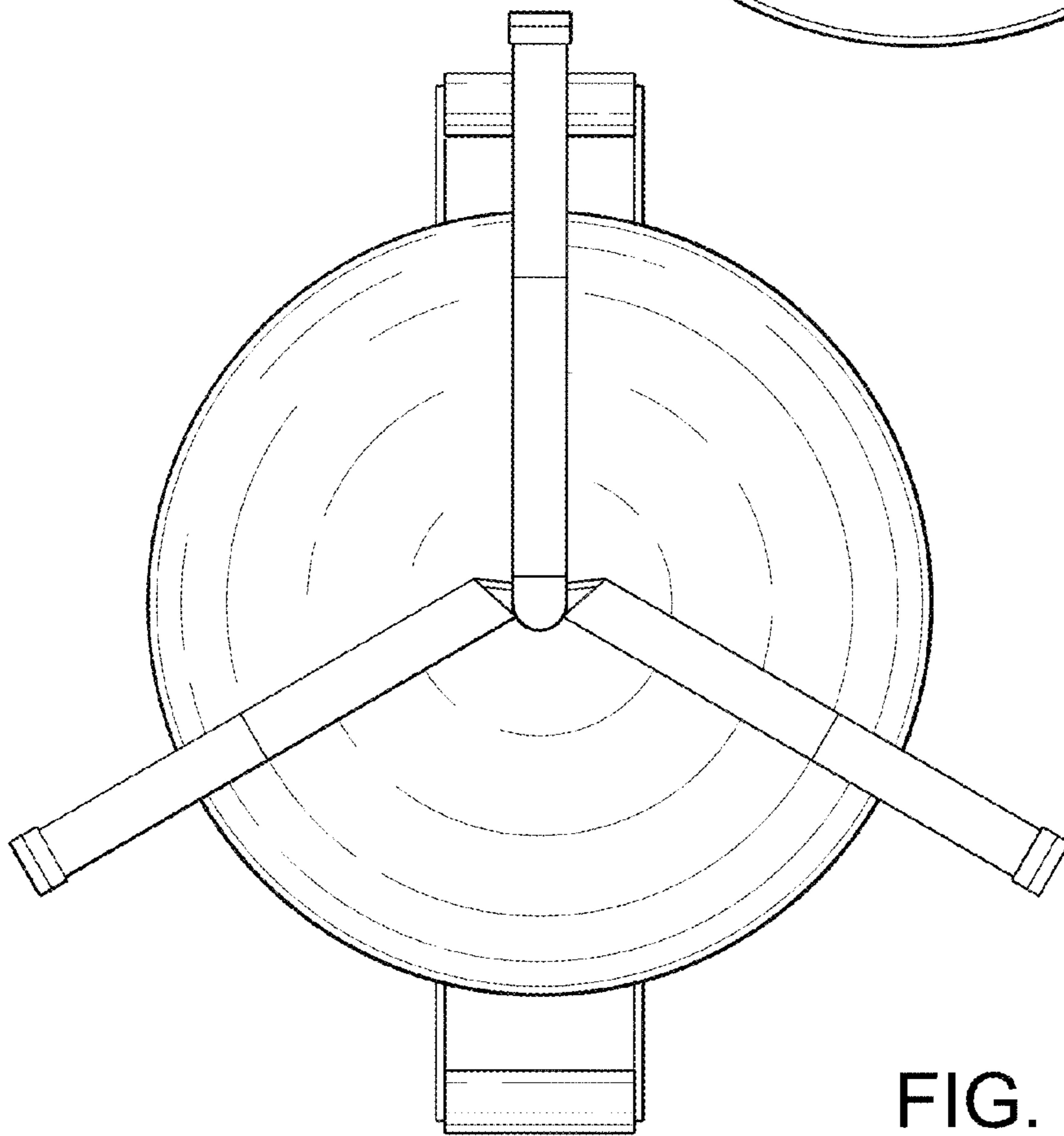
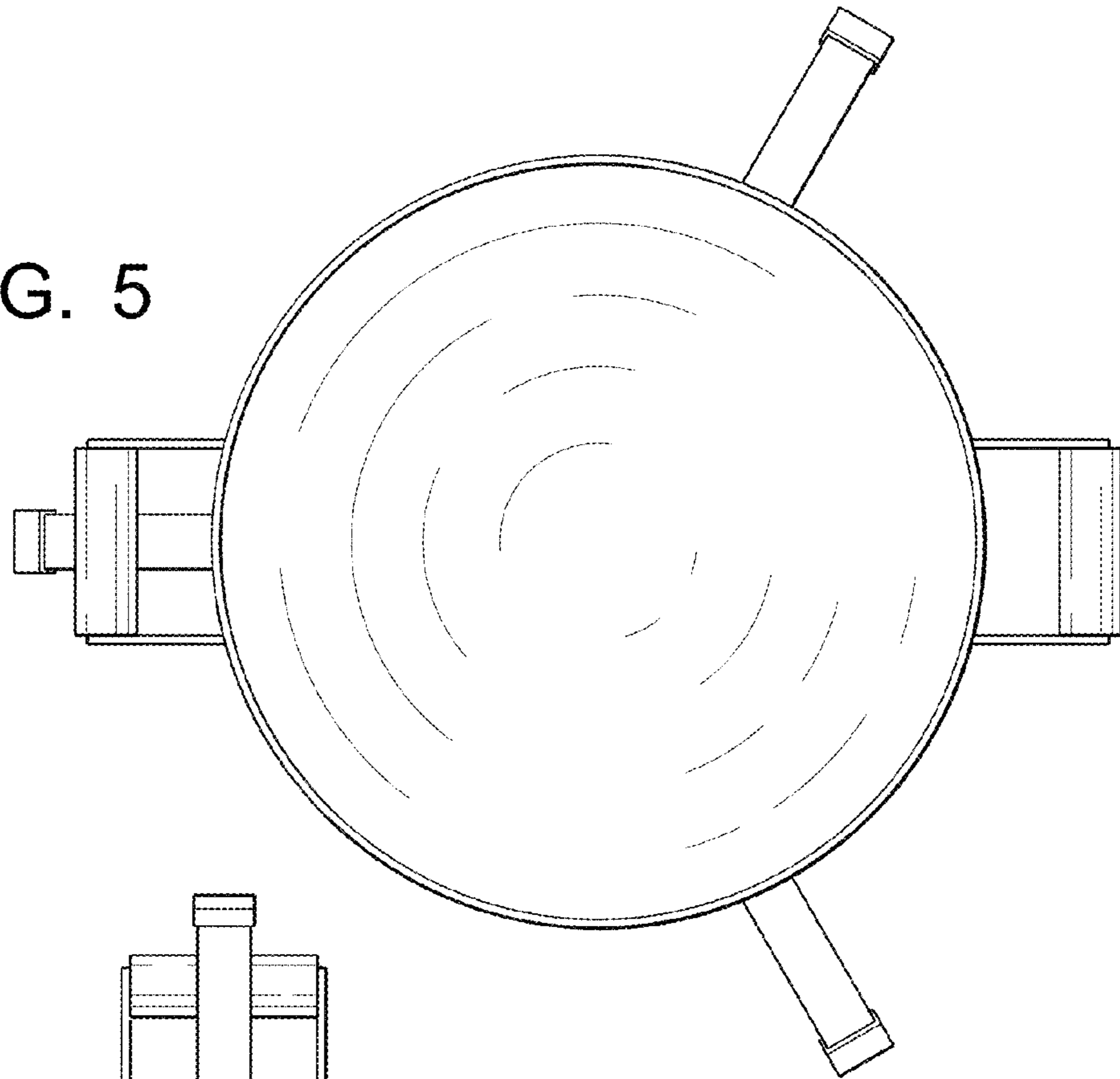


FIG. 6