



US00D773227S

(12) **United States Design Patent** (10) **Patent No.:** **US D773,227 S**
Kuboi (45) **Date of Patent:** **** Dec. 6, 2016**

- (54) **BEVERAGE DISPENSER**
- (71) Applicant: **The Coca-Cola Company**, Atlanta, GA (US)
- (72) Inventor: **Satoshi Kuboi**, Toyko (JP)
- (73) Assignee: **The Coca-Cola Company**, Atlanta, GA (US)
- (**) Term: **15 Years**
- (21) Appl. No.: **29/537,114**
- (22) Filed: **Aug. 21, 2015**
- (51) **LOC (10) Cl.** **07-01**
- (52) **U.S. Cl.**
USPC **D7/307; D7/308; D7/311**
- (58) **Field of Classification Search**
USPC D7/300, 309-311, 306-308, 305, 355, D7/362, 365, 367; 222/146.6, 185.1, 135; 99/295, 273, 304, 288, 279, 307, 283
CPC A47J 31/46; A47J 31/407; A47J 31/50; A47J 31/18; A47J 31/00; A47J 27/04; A47J 31/0573; A47J 31/52
See application file for complete search history.

- D529,750 S 10/2006 Baron et al.
- D553,416 S 10/2007 Lin
- D555,968 S 11/2007 Pfeifer et al.
- D595,991 S 7/2009 Zimmerman
- D604,087 S 11/2009 Lavy
- D608,131 S 1/2010 Meldrum et al.
- D649,393 S * 11/2011 Cohlma D7/307
- D681,385 S 5/2013 Ring et al.
- D696,350 S 12/2013 d'Amore et al.
- D698,392 S 1/2014 d'Amore et al.
- D701,412 S 3/2014 Broen et al.
- D704,492 S 5/2014 Broen et al.
- D710,643 S 8/2014 Broen et al.
- D716,093 S 10/2014 Jakeman et al.
- D718,413 S * 11/2014 Choi D23/207
- 8,881,948 B1 11/2014 Lassota

(Continued)

Primary Examiner — Marianne Pandozzi
(74) *Attorney, Agent, or Firm* — Cynthia R. Parks; Parks IP Law LLC

(57) **CLAIM**

I claim the ornamental design for a beverage dispenser, as shown and described.

DESCRIPTION

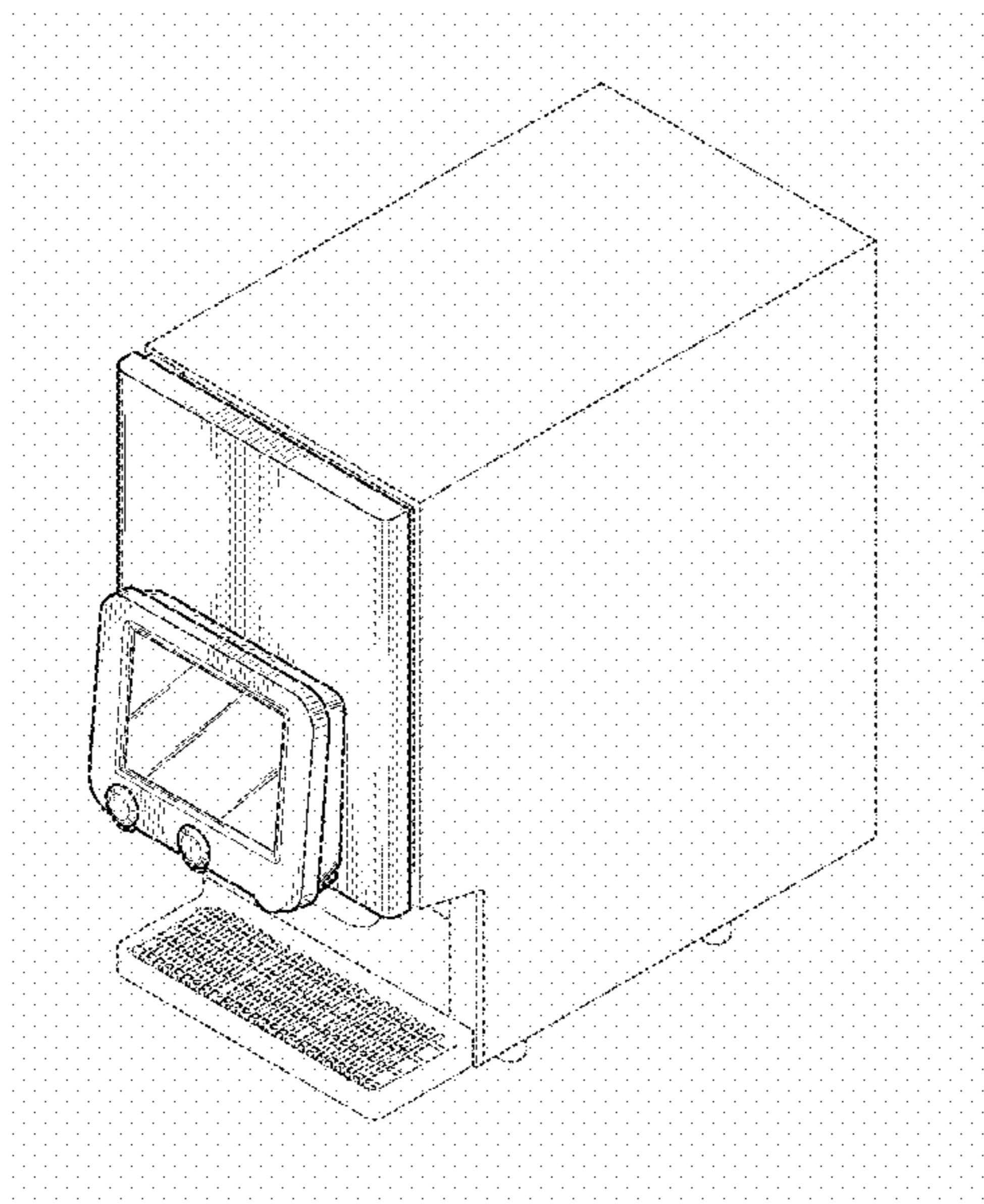
FIG. 1 is a front perspective view of a beverage dispenser showing my new design;
FIG. 2 is a front view thereof;
FIG. 3 is a back view thereof;
FIG. 4 is a top view thereof;
FIG. 5 is a bottom view thereof;
FIG. 6 is a left side view thereof;
FIG. 7 is a right side view thereof;
FIG. 8 is an enlarged front view of the display screen portion of beverage dispenser, the rest of the beverage dispenser removed for ease of illustration; and,
FIG. 9 is a sectional view along the line 9-9 of FIG. 2.
The broken lines are for environmental purposes only and form no part of the claimed design.

1 Claim, 9 Drawing Sheets

(56) **References Cited**

U.S. PATENT DOCUMENTS

- D183,532 S 9/1958 McCauley
- D206,519 S 12/1966 Wolfe
- D242,084 S 10/1976 Moreton
- D272,975 S * 3/1984 Miller D7/309
- D284,925 S 8/1986 Jacobs et al.
- D297,697 S 9/1988 Fossella
- D359,874 S 7/1995 Smith et al.
- D453,088 S * 1/2002 Bell D7/307
- 6,419,120 B1 7/2002 Bertone
- D467,764 S 12/2002 Harrison et al.
- D510,675 S 10/2005 Ball



(56)

References Cited

U.S. PATENT DOCUMENTS

D719,391 S	*	12/2014	De Pra	D7/309
D719,392 S	*	12/2014	De Pra	D7/309
D719,393 S	*	12/2014	De Pra	D7/309
D719,776 S		12/2014	Kunz	
D731,839 S	*	6/2015	Tomasson	D7/306
D732,330 S		6/2015	Cha et al.	
D732,331 S	*	6/2015	Tomasson	D7/306

* cited by examiner

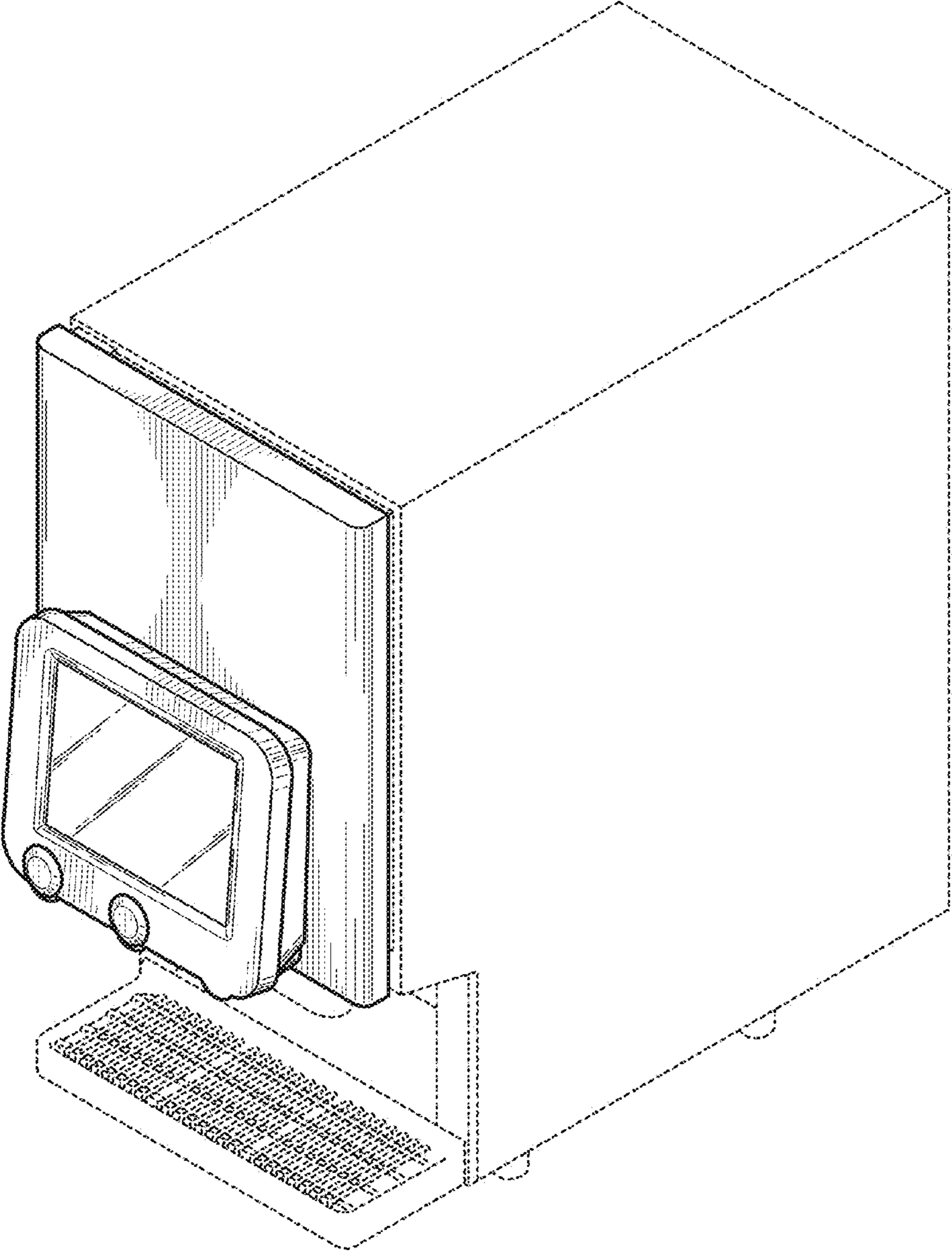


FIG. 1

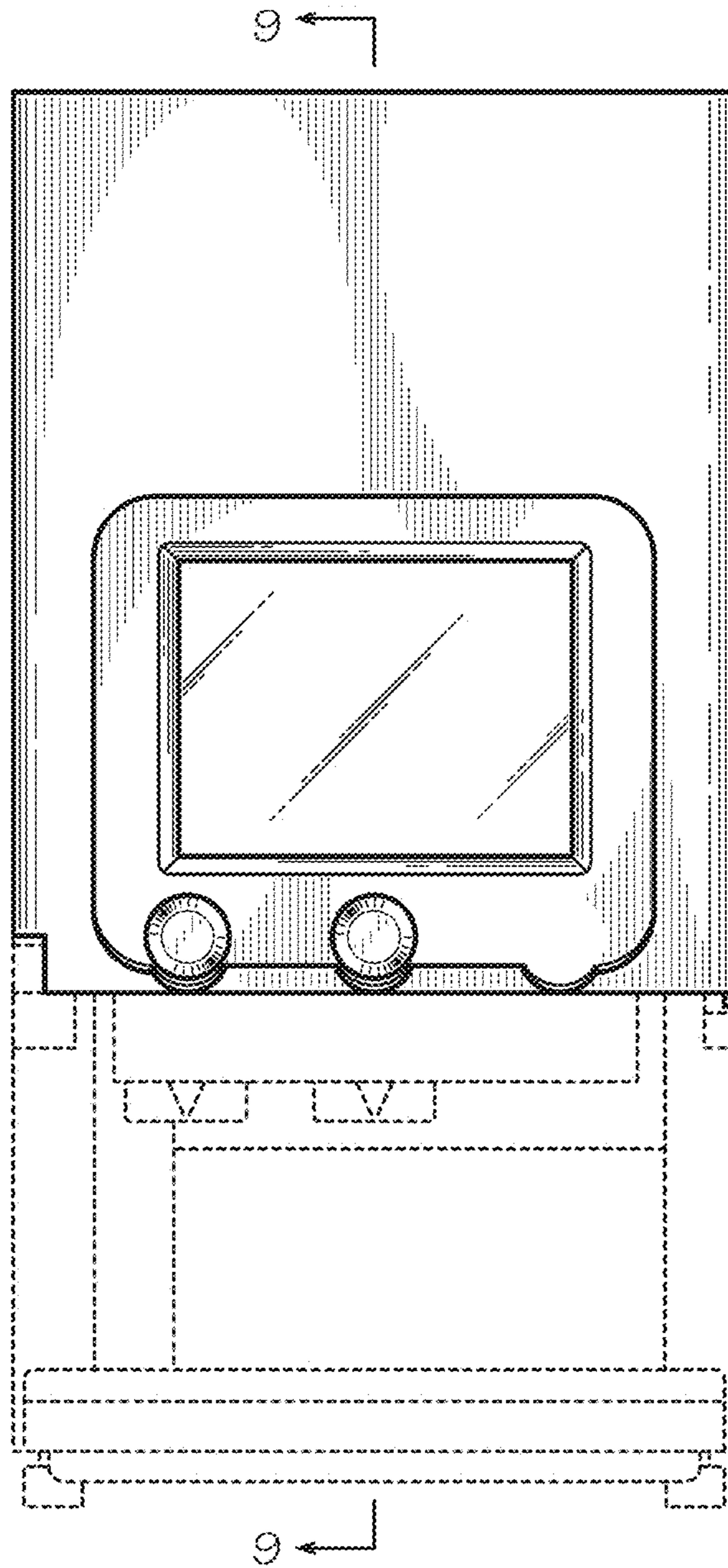


FIG. 2

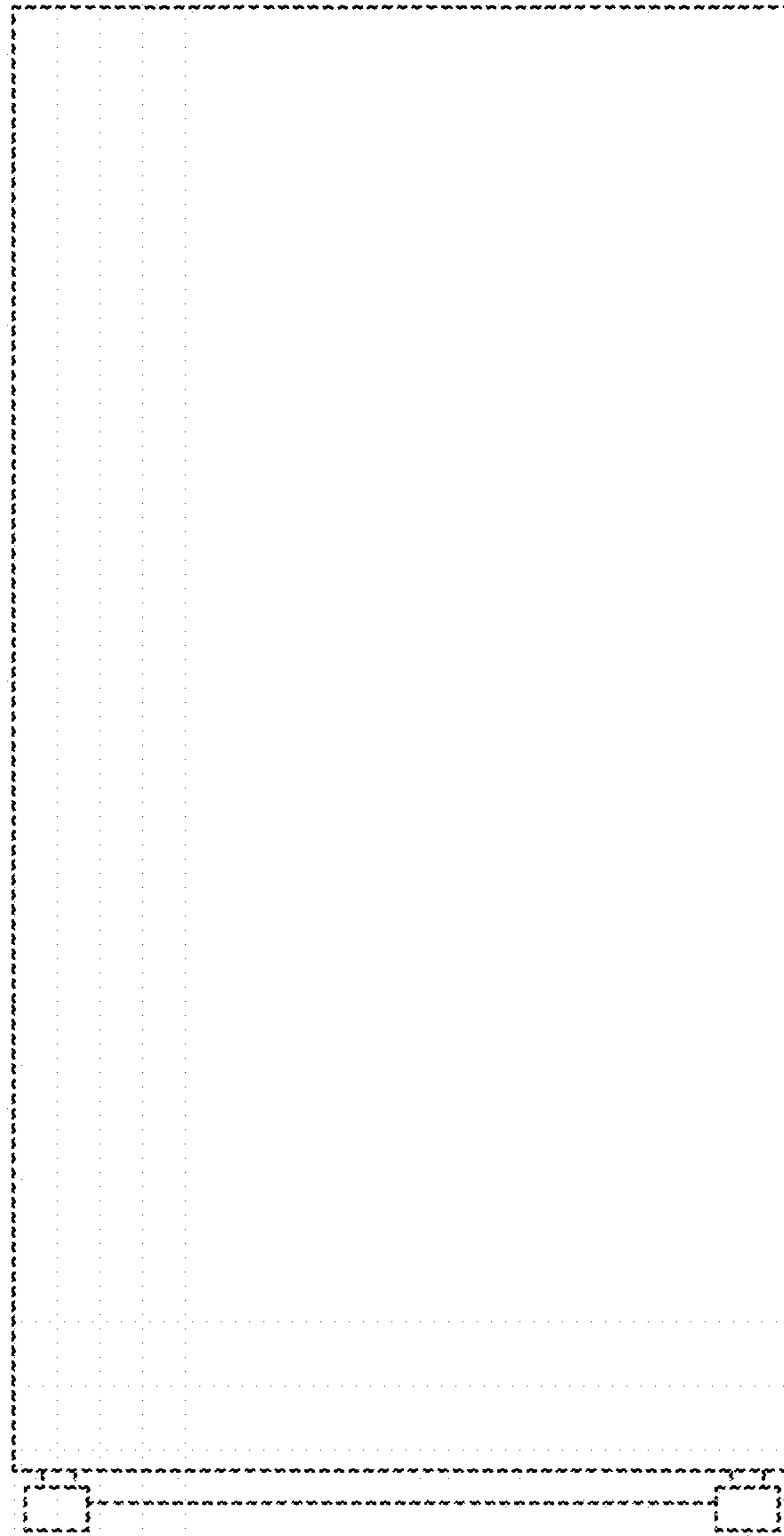


FIG. 3

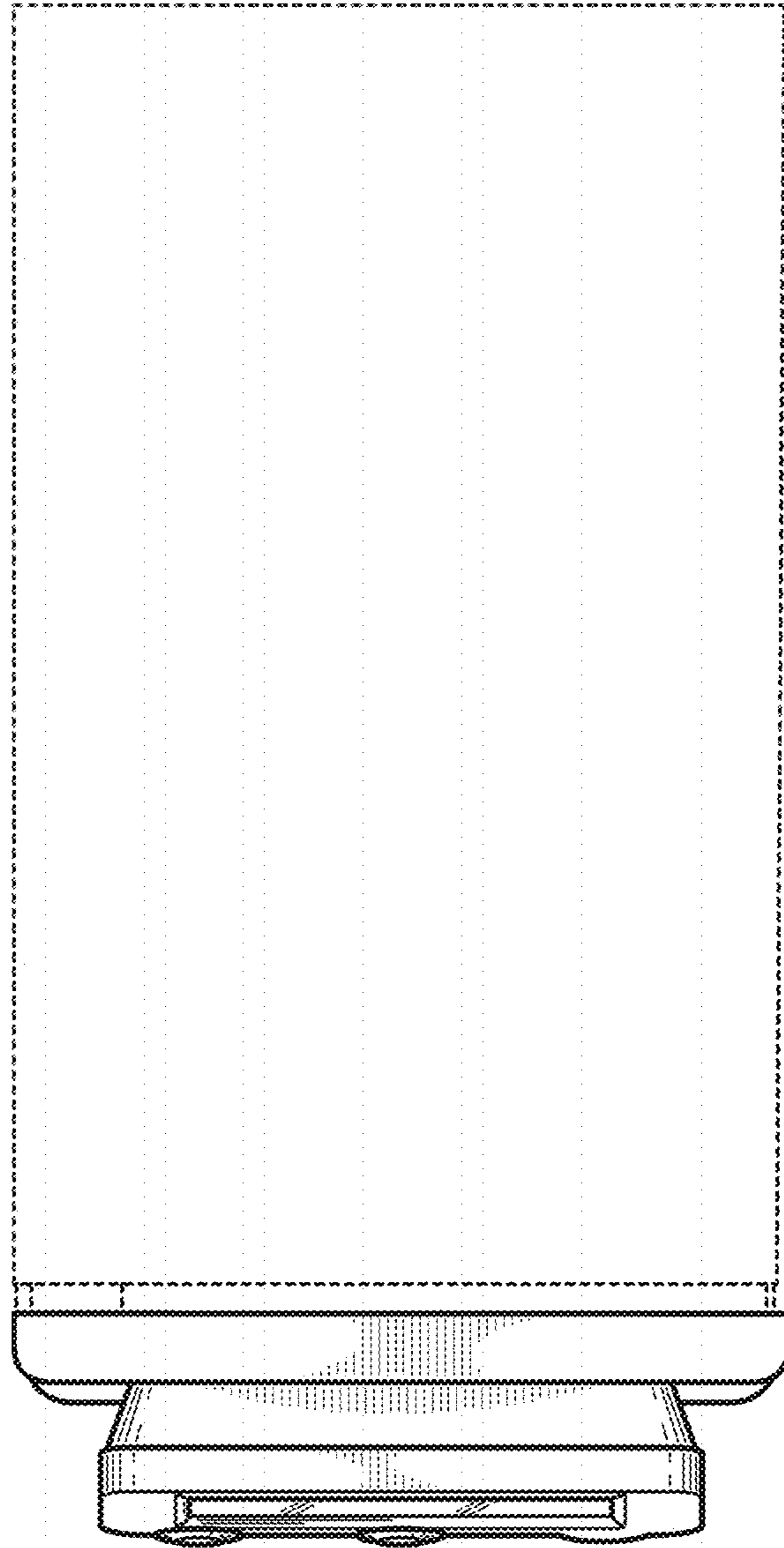


FIG. 4

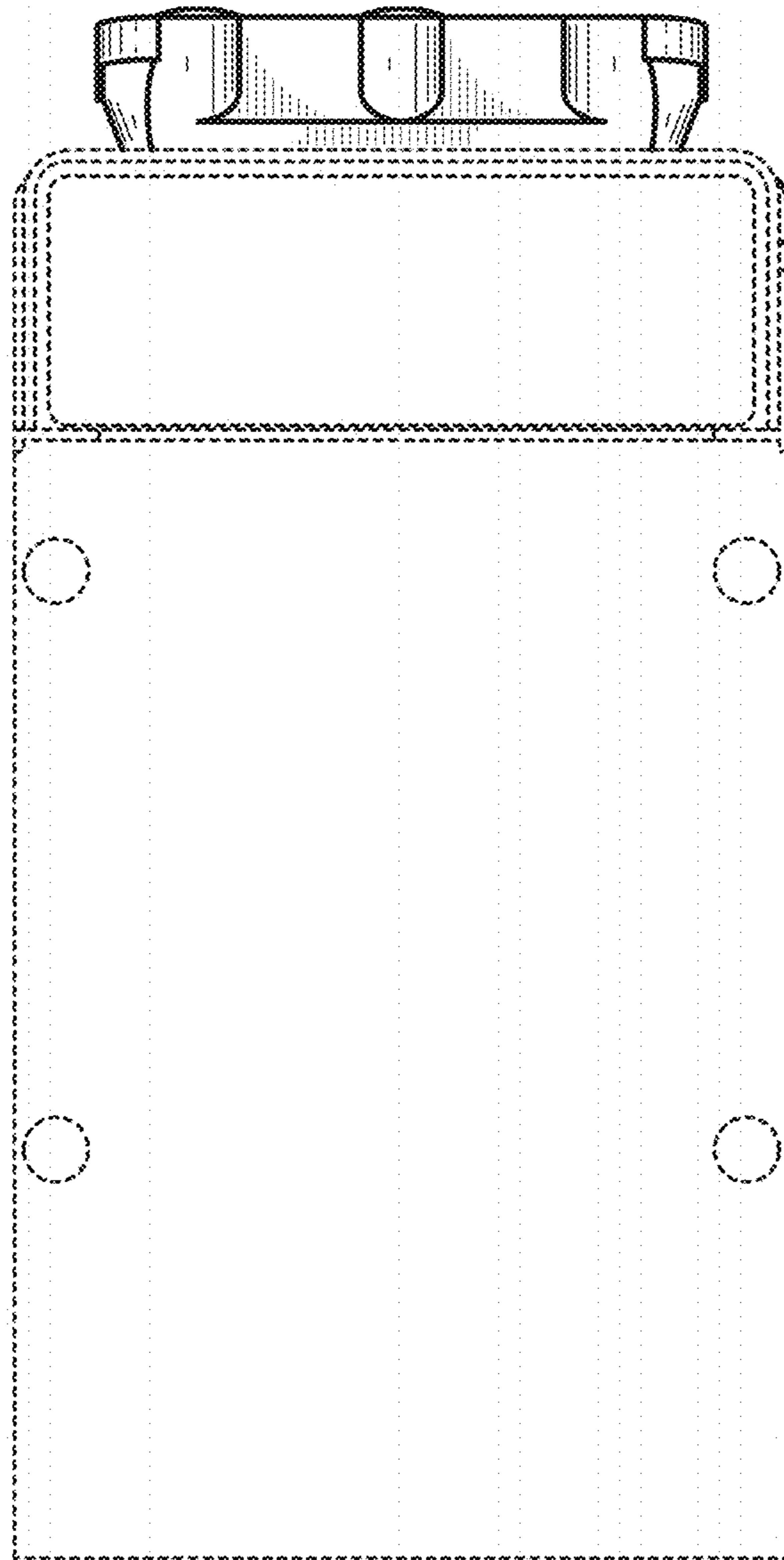
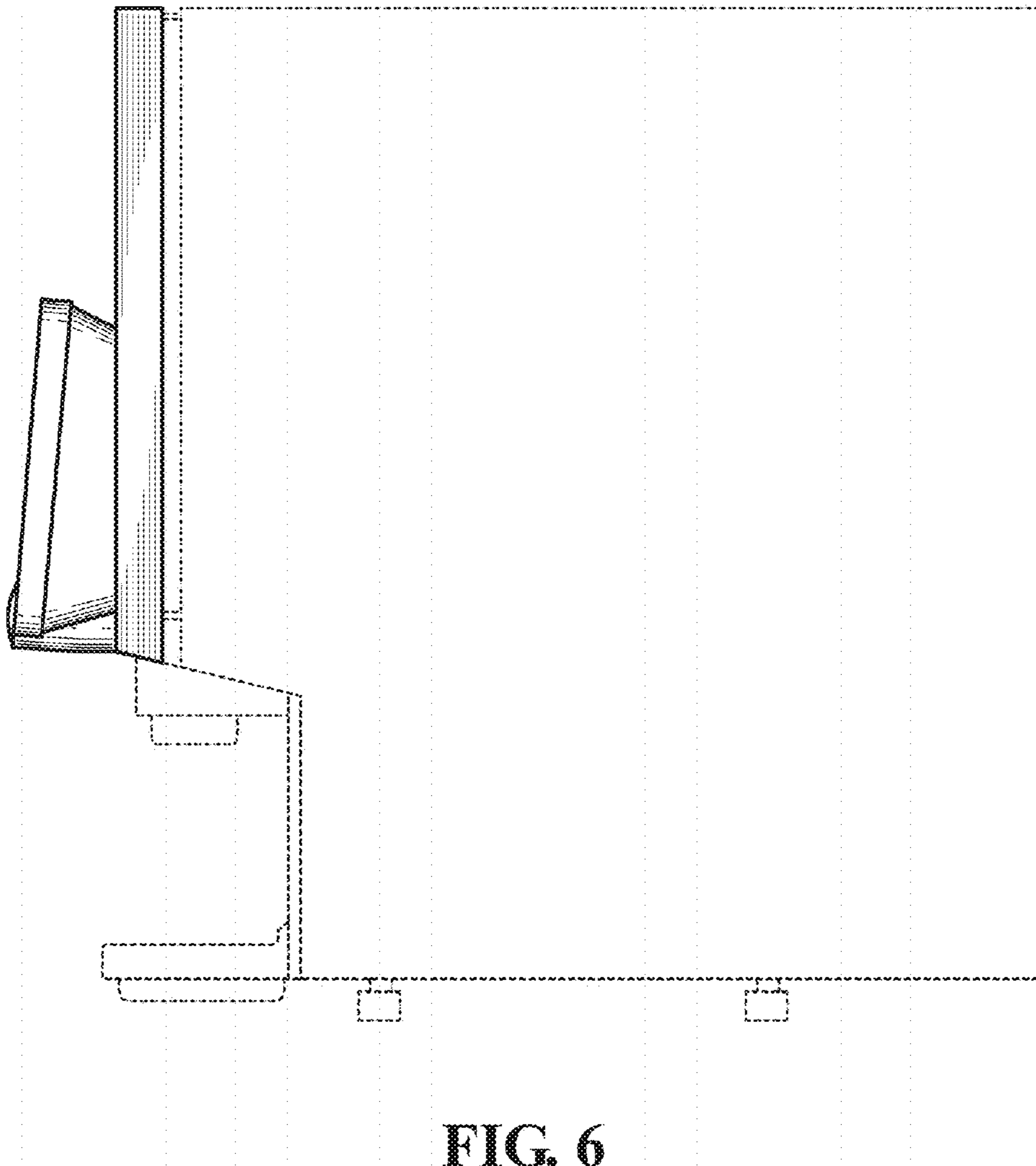


FIG. 5



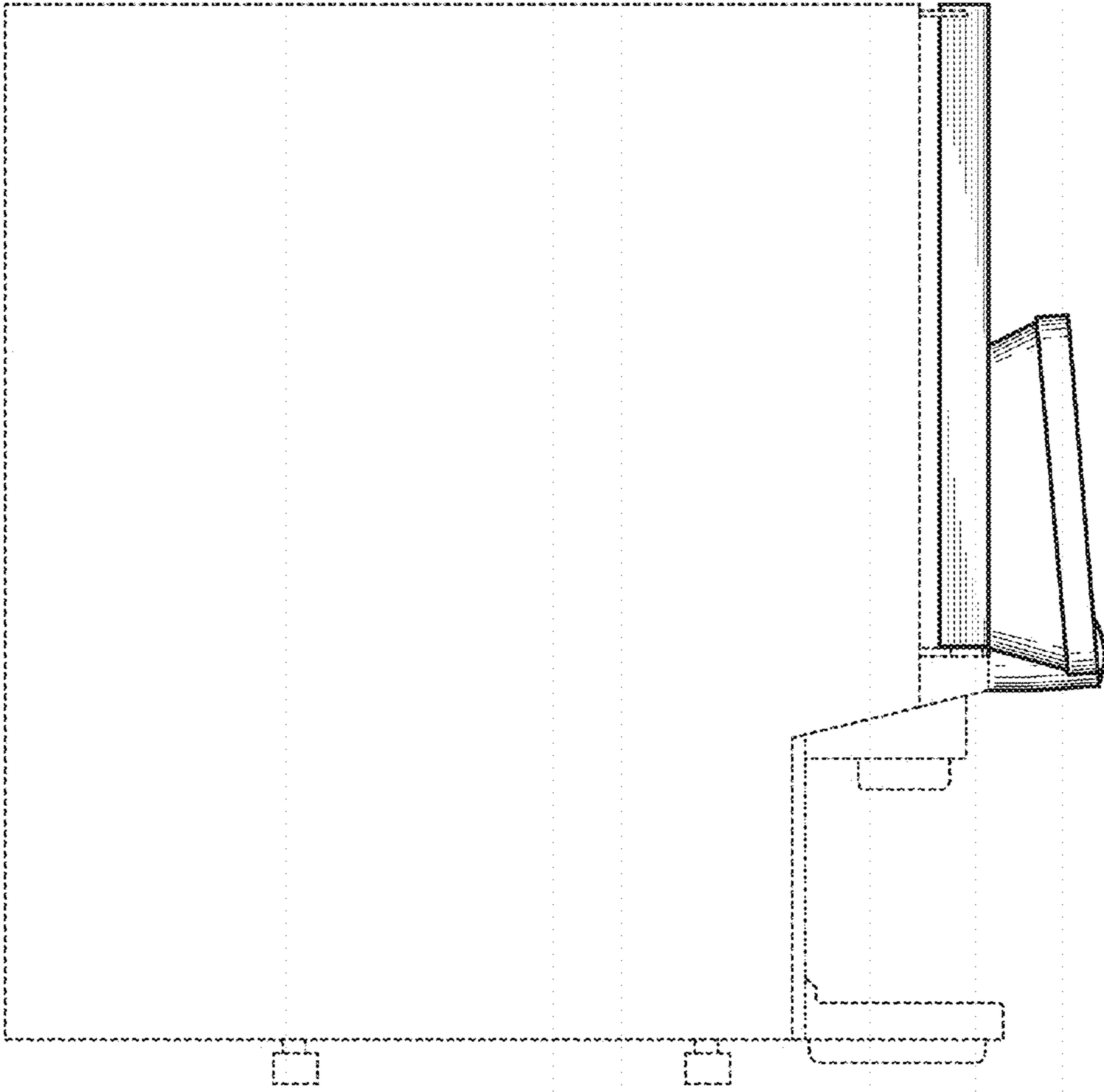


FIG. 7

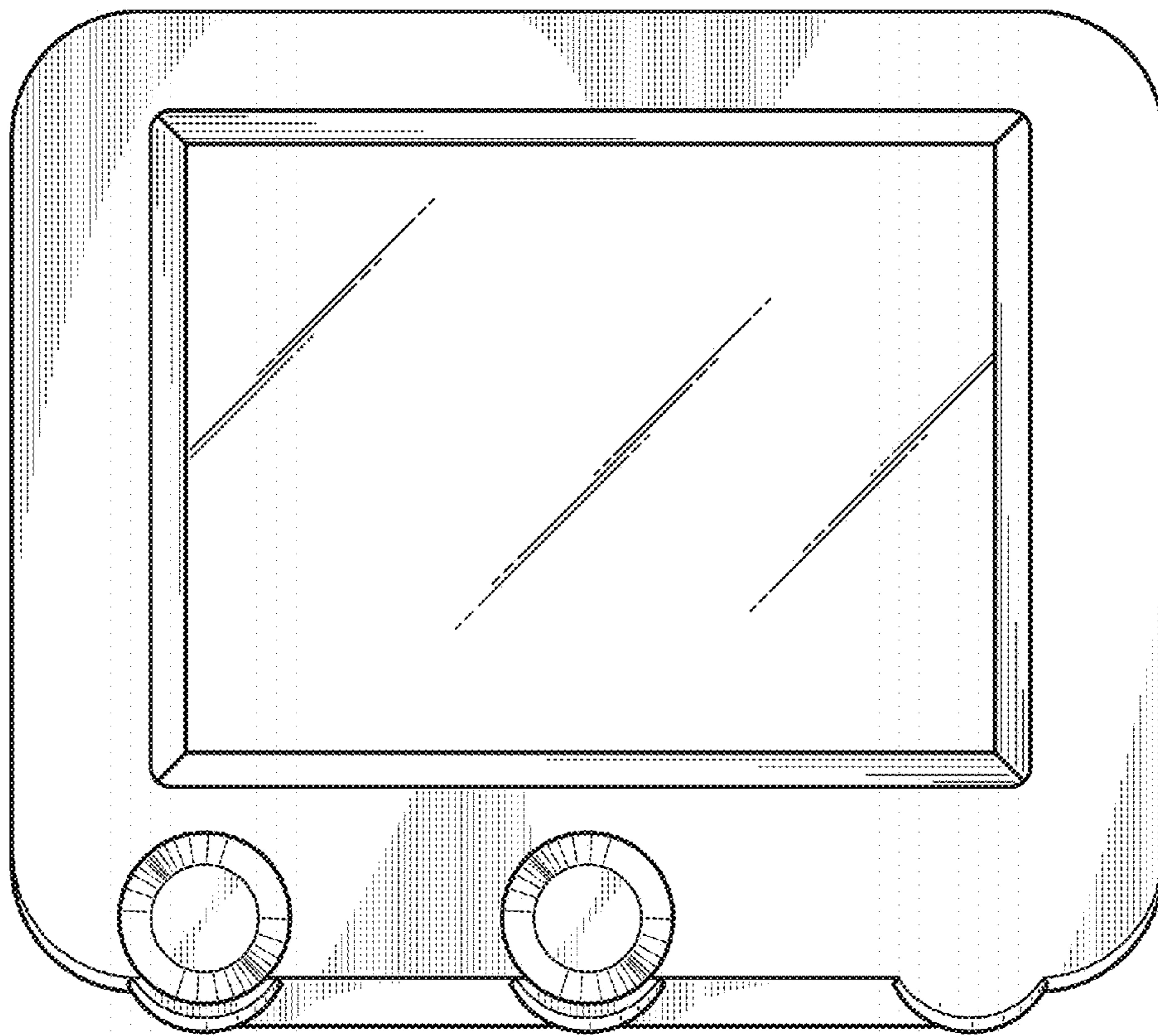


FIG. 8

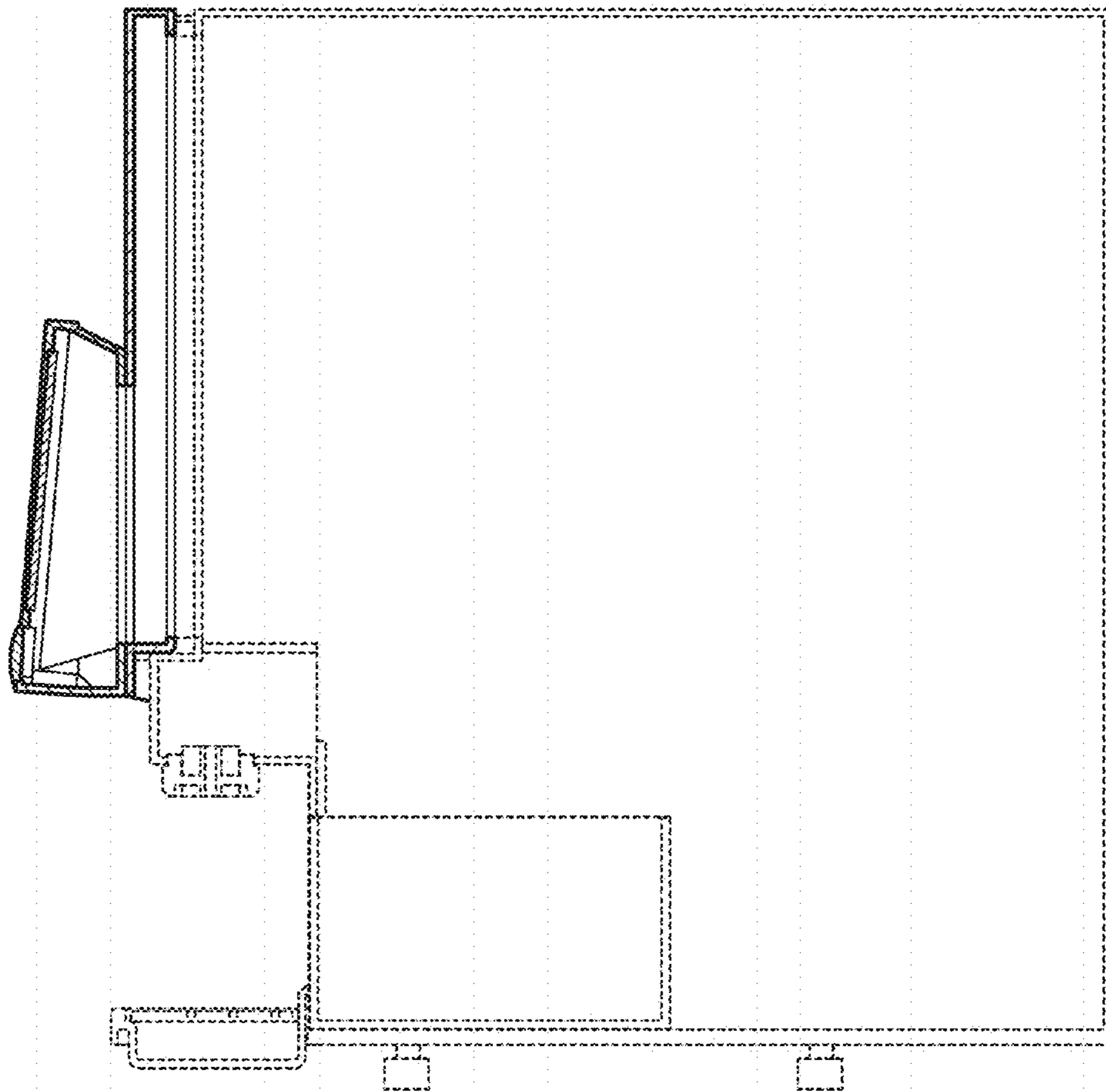


FIG. 9