



US00D773220S

(12) **United States Design Patent**  
**Soland et al.**

(10) **Patent No.:** **US D773,220 S**  
(45) **Date of Patent:** **\*\* Dec. 6, 2016**

(54) **DISPLAY UNIT**

(71) Applicant: **Target Brands, Inc.**, Minneapolis, MN (US)

(72) Inventors: **Nathan B. Soland**, Minneapolis, MN (US); **Victoria A. Prendergast**, Eden Prairie, MN (US)

(73) Assignee: **Target Brands, Inc.**, Minneapolis, MN (US)

(\*\*) Term: **15 Years**

(21) Appl. No.: **29/529,276**

(22) Filed: **Jun. 5, 2015**

(51) **LOC (10) Cl.** ..... **06-06**

(52) **U.S. Cl.**  
USPC ..... **D6/708**

(58) **Field of Classification Search**  
USPC ..... D6/334-336, 349, 351, 352, 358, 360, D6/364, 365, 366, 374, 375, 379, 380, 657,

D6/662.1, 672, 674, 675, 675.1, 675.3, D6/683, 683.1, 685, 691, 691.5, 702, 708, D6/708.2, 708.21, 708.25, 716, D6/716.1-716.4; D3/304, 307, 309; D7/550.1, 554.3

CPC ..... A47B 7/00; A47B 2200/001; A47B 2200/002; A47B 2200/0011-2200/0014; A47B 2200/0021-2200/0023; A47B 2200/0026; A47B 2200/0027; A47B 2200/0039; A47B 13/02; A47B 13/021-13/028; A47B 2009/006; A47B 57/402; A47B 67/00; A47B 87/0207; A47B 96/00; A47B 96/02; A47B 43/00; A47B 63/00; A47C 1/04; A47C 1/03255; A47C 1/0255; A47C 3/00; A47C 3/18; A47C 3/026; A47C 4/02; A47C 4/028; A47C 4/54; A47C 7/00; A47C 7/002; A47C 7/004; A47C 7/006; A47C 7/18; A47C 7/022; A47C 7/24; A47C 7/50; A47C 9/002; A47C 9/007;

A47D 7/00; A47F 1/00; A47F 3/00; A47F 3/06; A47F 3/14; A47F 7/00; B65D 1/34; B65D 81/3813; B65D 21/00; B65D 5/545; B65D 5/26; B65D 5/0015; B65D 5/0045

See application file for complete search history.

(56) **References Cited**

U.S. PATENT DOCUMENTS

1,377,600	A *	5/1921	Prest	.....	A47C 4/40
					297/18
1,509,125	A *	9/1924	Burbank	.....	A47F 5/02
					40/493
1,543,102	A *	6/1925	Fleischer	.....	A47F 7/17
					211/40
1,769,232	A *	7/1930	Olsen	.....	A47F 5/01
					248/464
3,095,975	A *	7/1963	Cassel	.....	A47B 57/402
					211/192
D293,181	S *	12/1987	Solaro	.....	D6/691.1
4,787,672	A *	11/1988	Werner	.....	A47C 3/021
					297/287
D343,527	S *	1/1994	Ambasz	.....	D6/371
D381,715	S *	7/1997	Reeder	.....	D21/691
D381,845	S *	8/1997	Thomas	.....	D6/708
D644,045	S *	8/2011	Oster	.....	D6/693
9,140,401	B2 *	9/2015	Hoyle	.....	F16M 11/00
D743,192	S *	11/2015	Davis	.....	D6/691.5

OTHER PUBLICATIONS

“Interior Design Nicole Hollis” Apr. 21, 2011, Cabbage Rose, site visited Sep. 16, 2016 <<http://cabbageroseblog.com/interior-design/nicole-hollis>>.\*

\* cited by examiner

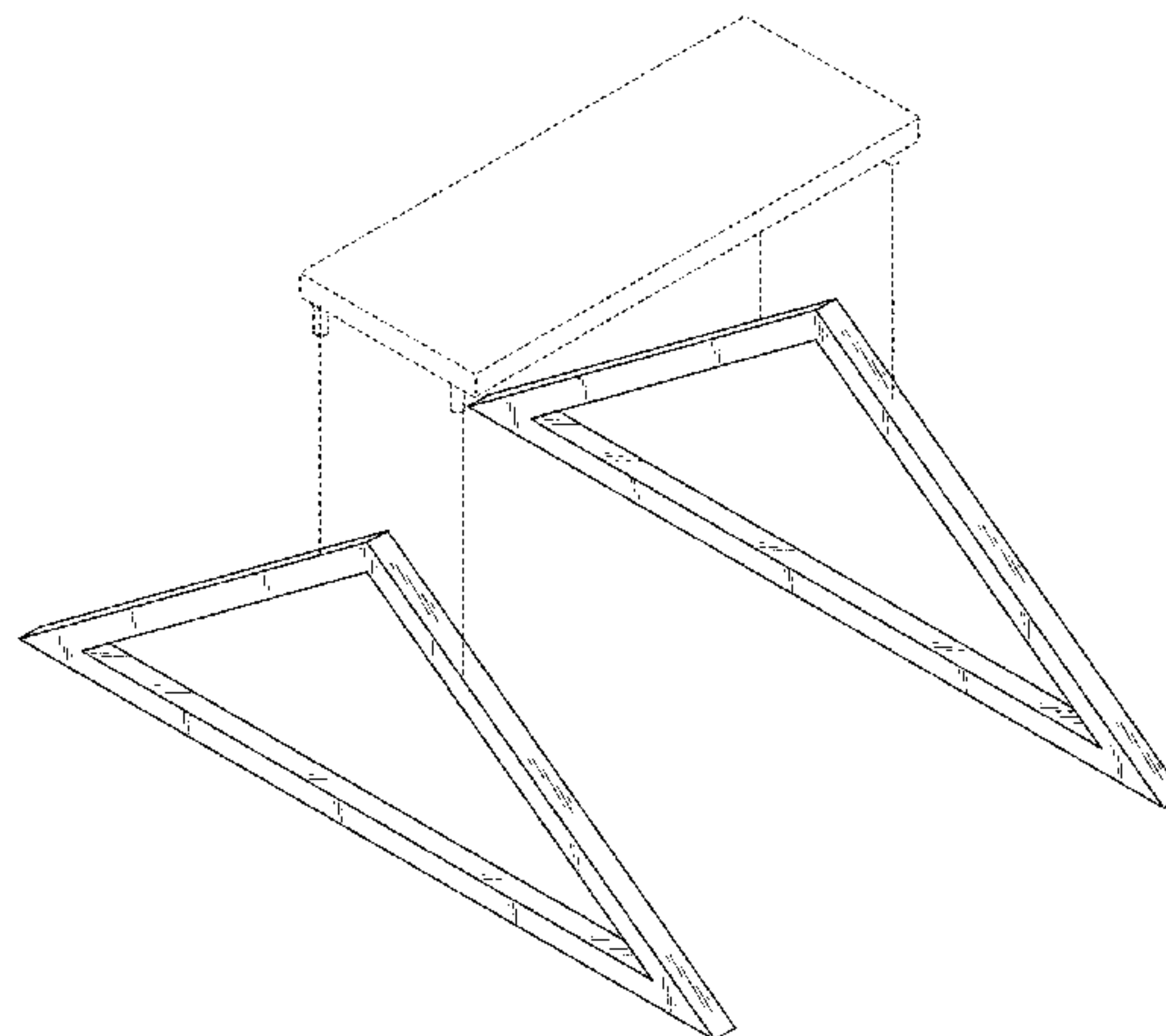
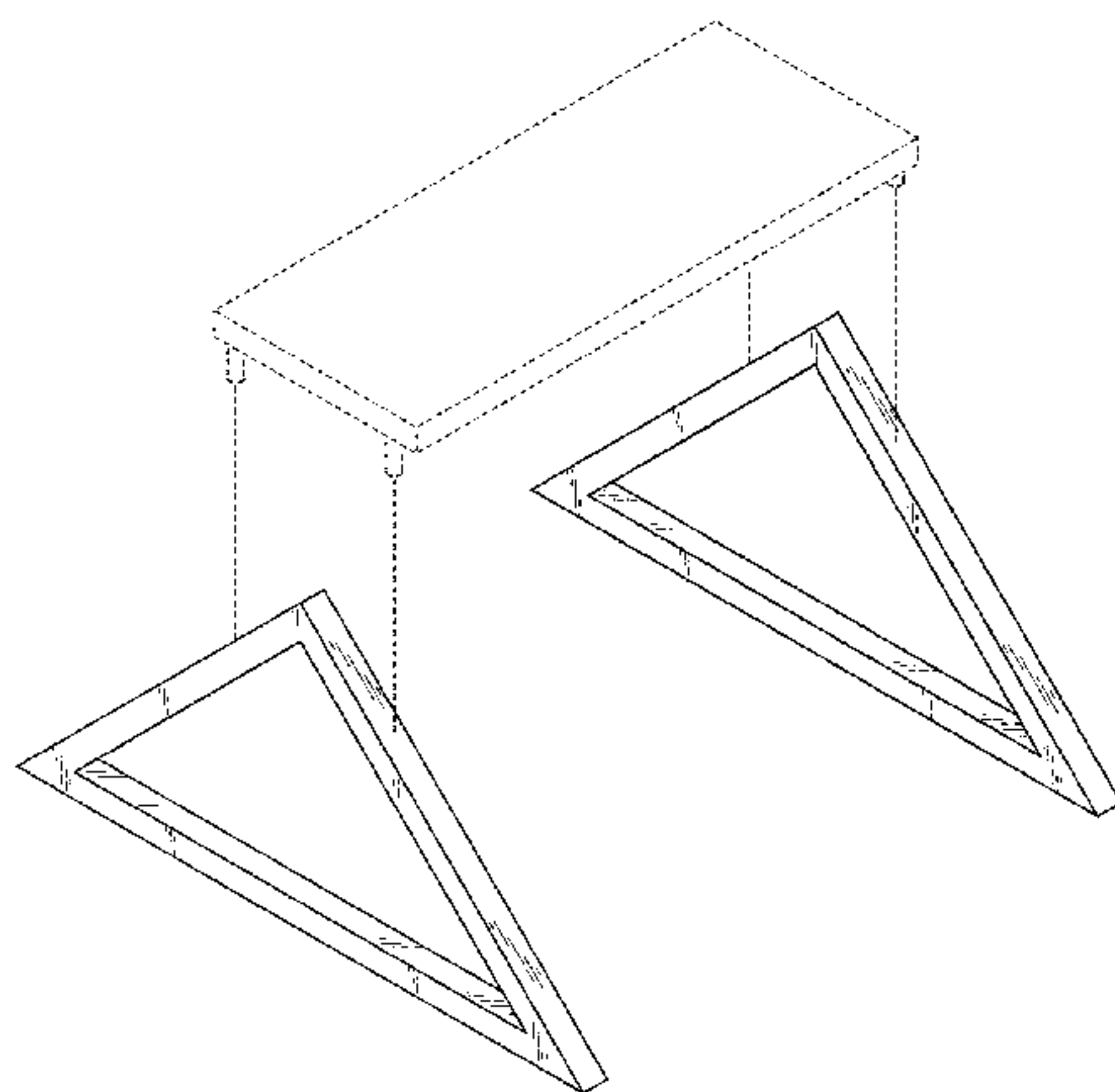
*Primary Examiner* — Kevin Rudzinski

*Assistant Examiner* — Paul Bohannon

(74) *Attorney, Agent, or Firm* — Leanne Taveggia Farrell; Westman, Champlin & Koehler, P.A.

(57) **CLAIM**

The ornamental design for a display unit, as shown and described.



**DESCRIPTION**

FIG. 1 is a perspective view of a display unit showing our new design;

FIG. 2 is a side view thereof, the opposing side being identical;

FIG. 3 is a front view thereof, the back view being identical;

FIG. 4 is a top view thereof;

FIG. 5 is a section view of a portion of the display unit taken through the line indicated in FIG. 2;

FIG. 6 is a section view of another portion of the display unit taken through the line indicated in FIG. 2;

FIG. 7 is a bottom view thereof;

FIG. 8 is a perspective view of a second embodiment of the display unit;

FIG. 9 is a side view of FIG. 8, the opposing side being identical;

FIG. 10 is a front view of FIG. 8, the back view being identical;

FIG. 11 is a top view thereof;

FIG. 12 is a section view of a portion of FIG. 8 taken through the line indicated in FIG. 9;

FIG. 13 is a section view of another portion of FIG. 8 taken through the line indicated in FIG. 9; and,

FIG. 14 is a bottom view of FIG. 8.

The broken lines are for purposes of illustrating environment and form no part of the claimed design.

**1 Claim, 12 Drawing Sheets**

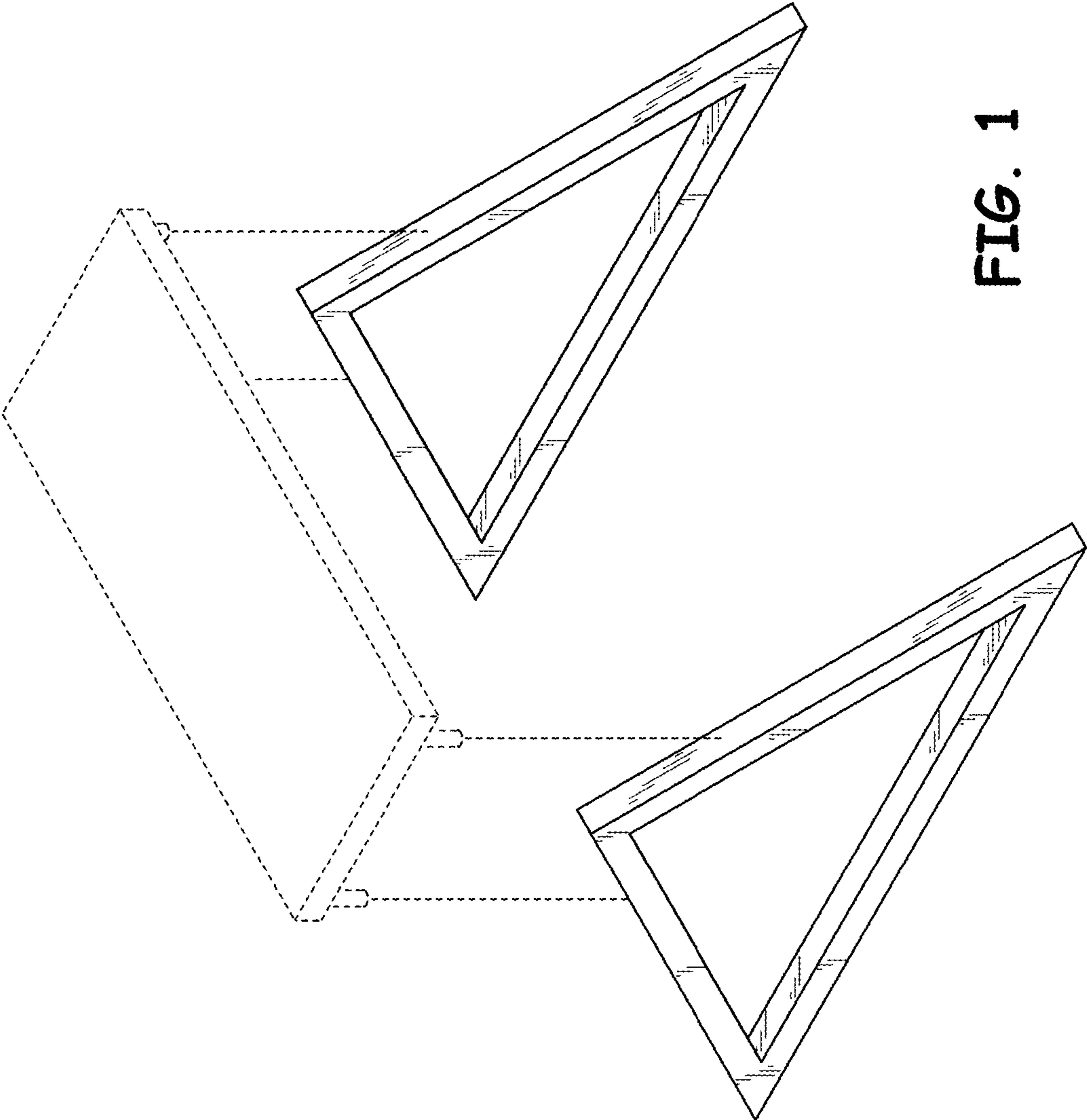


FIG. 1

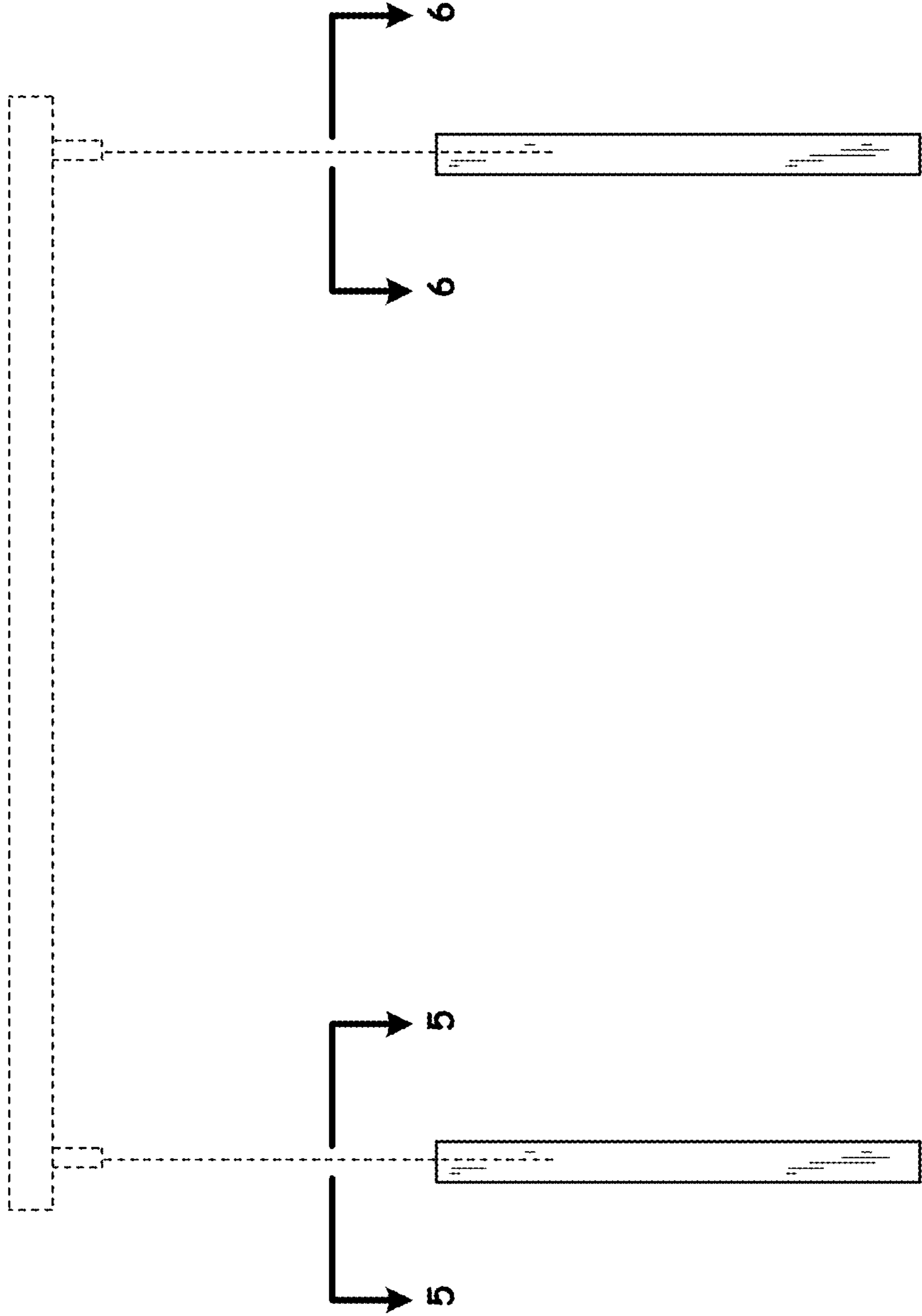


FIG. 2

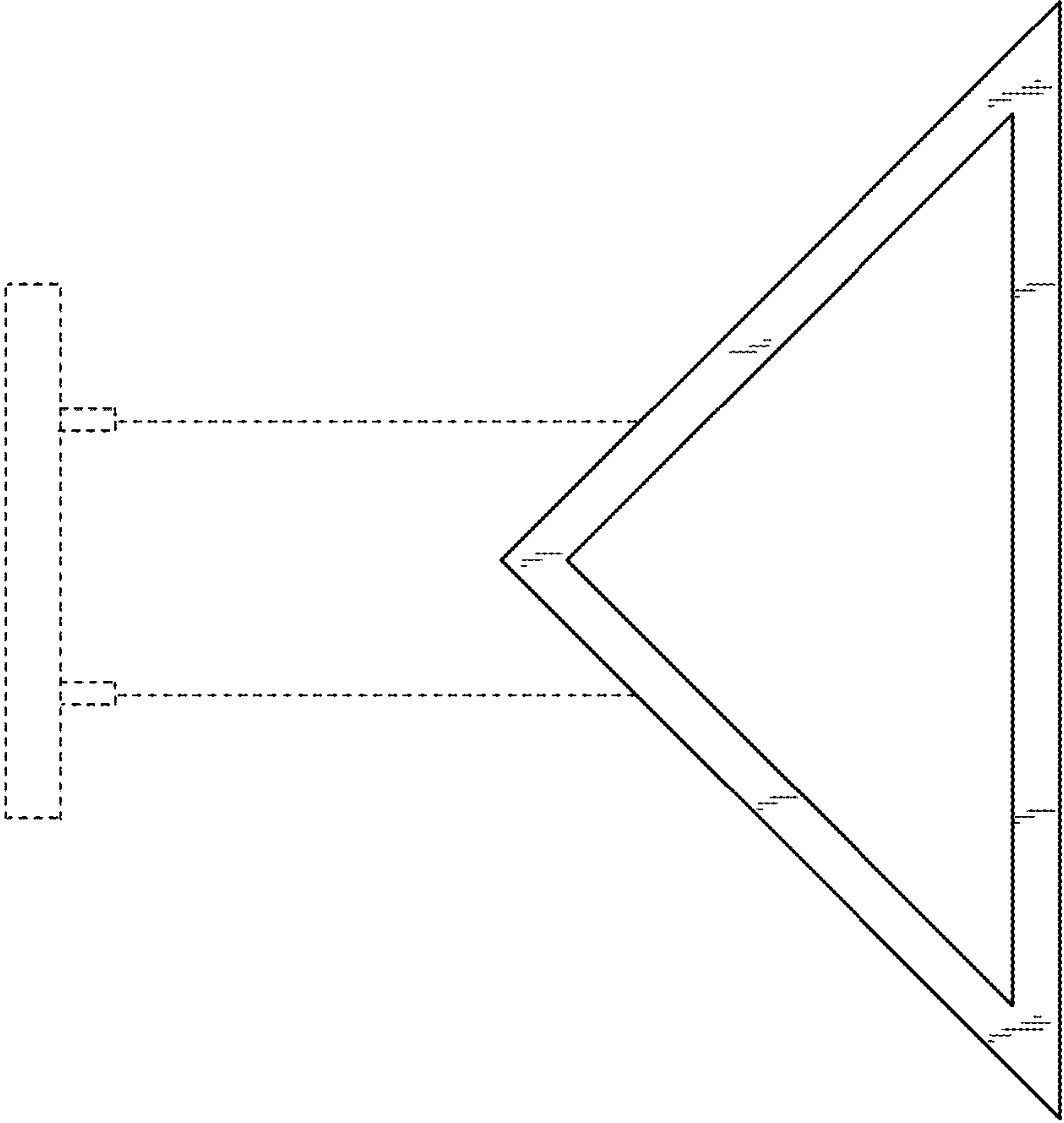
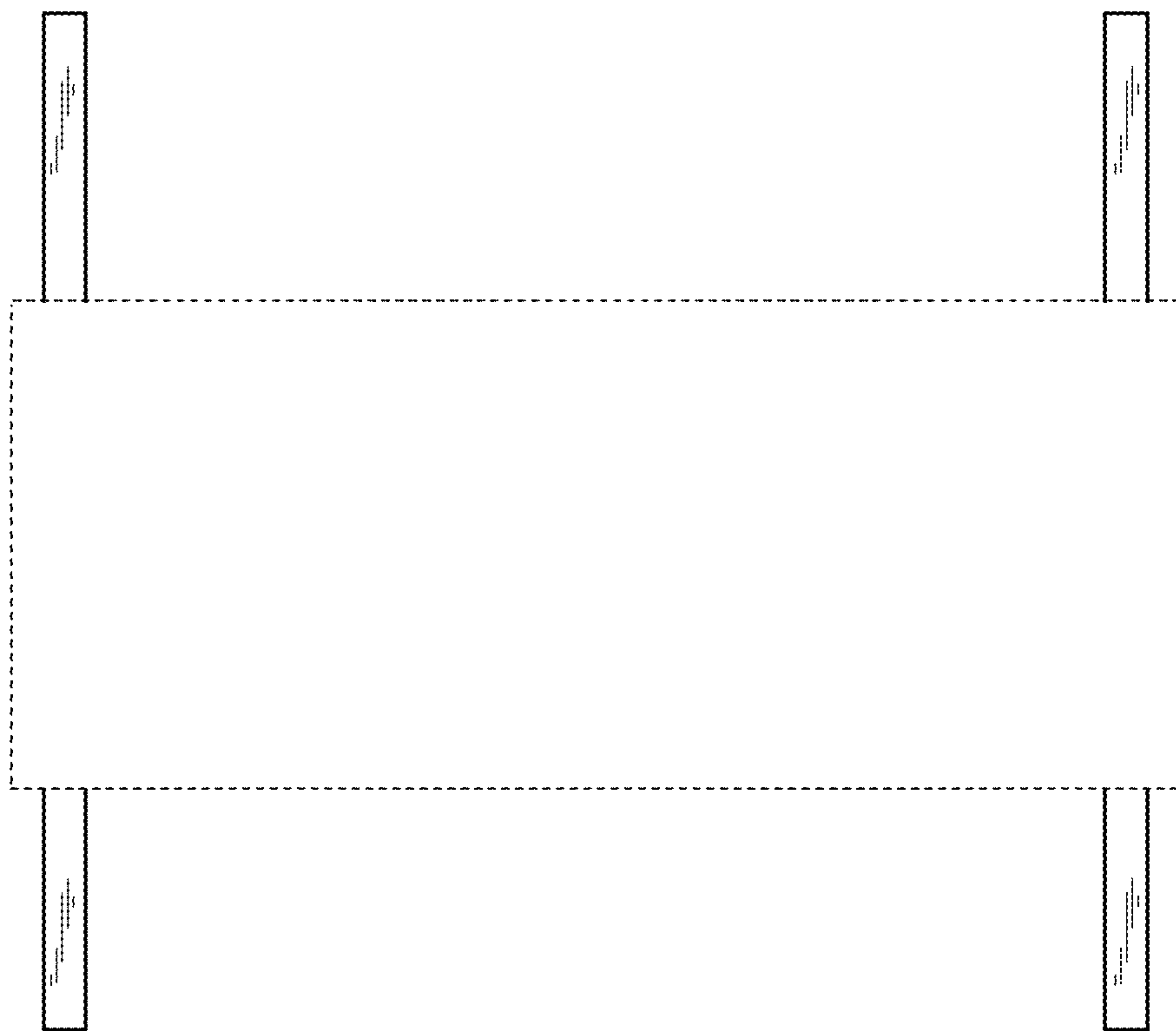


FIG. 3



**FIG. 4**



**FIG. 5**



**FIG. 6**

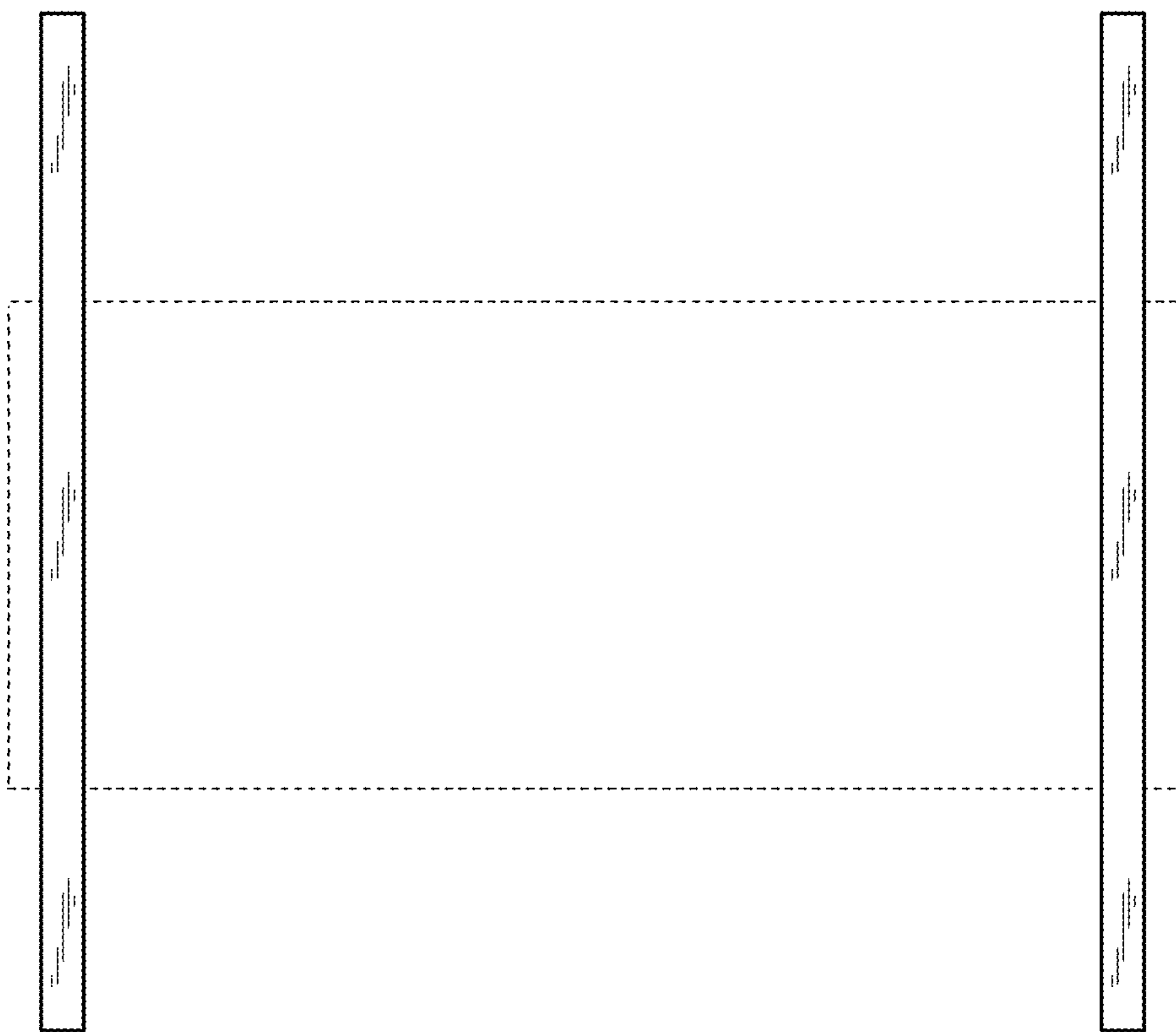


FIG. 7



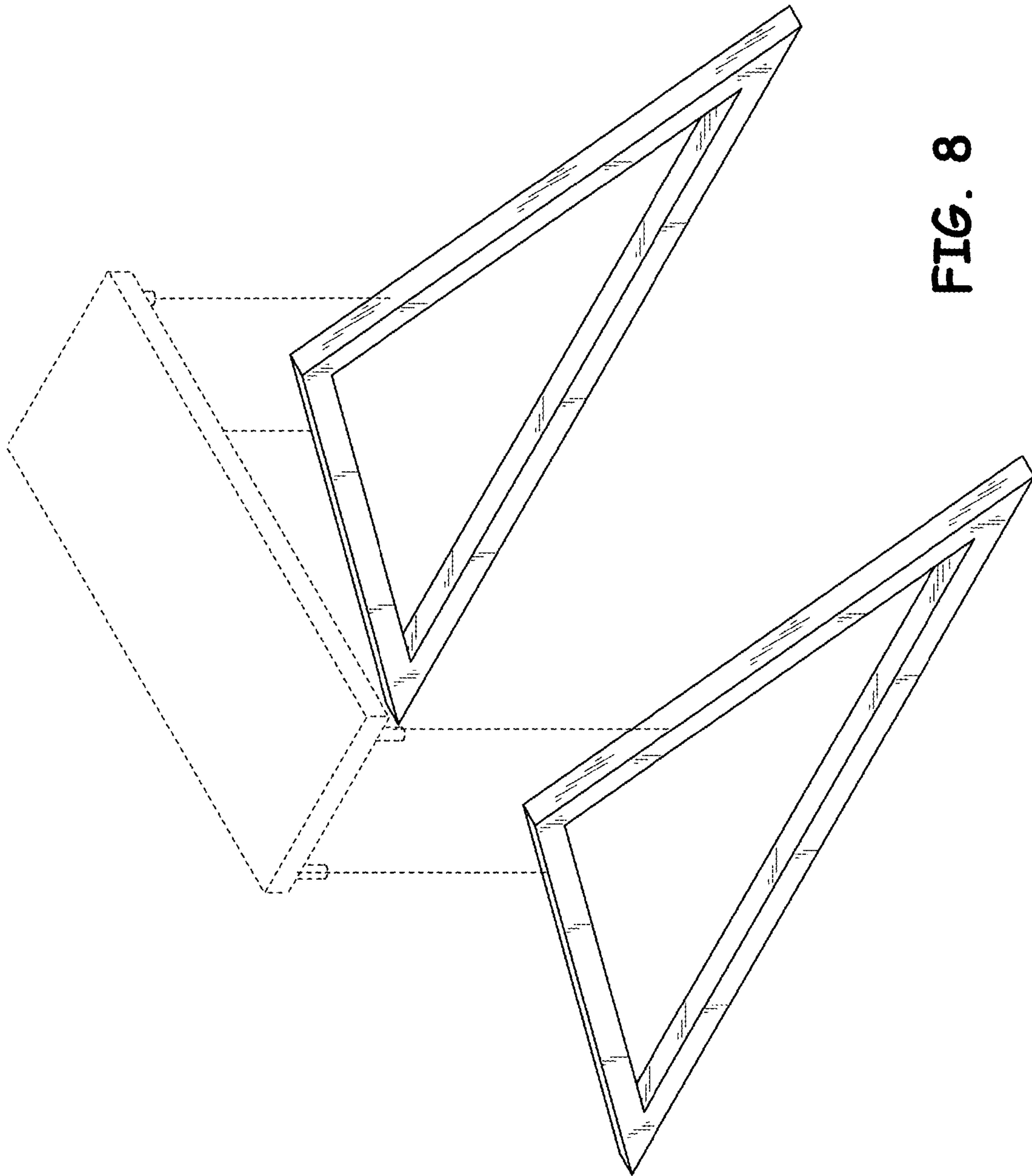


FIG. 8

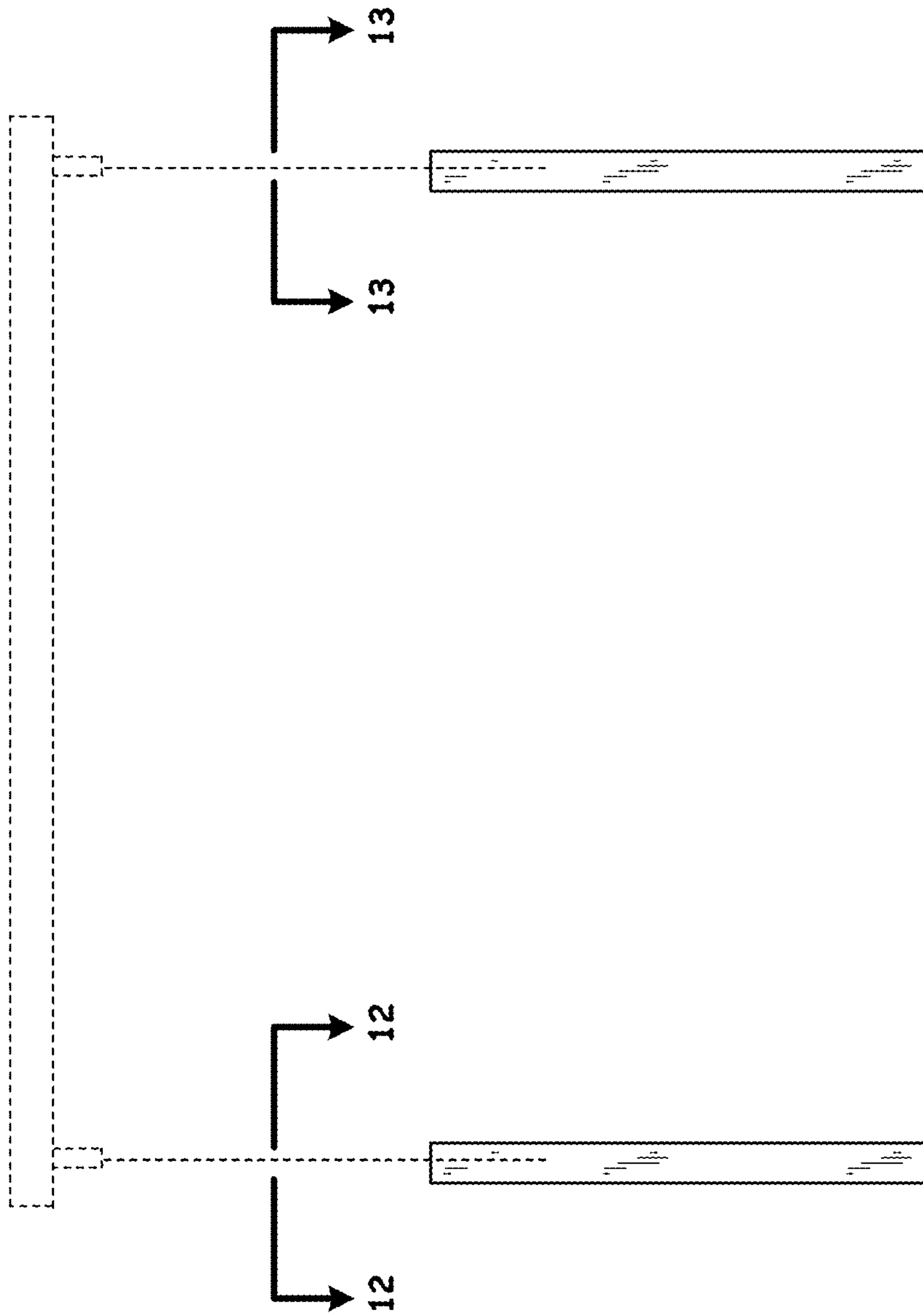
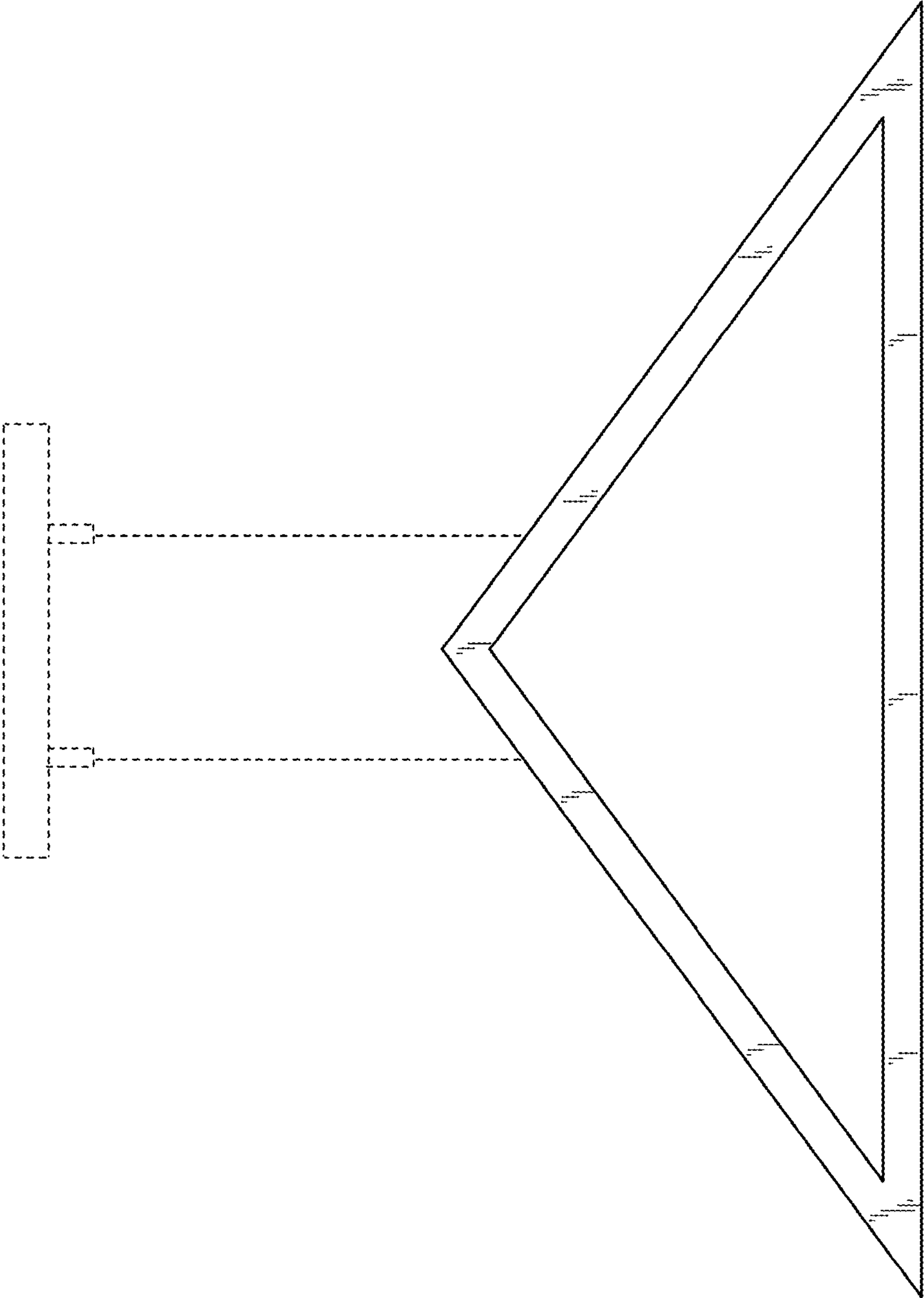
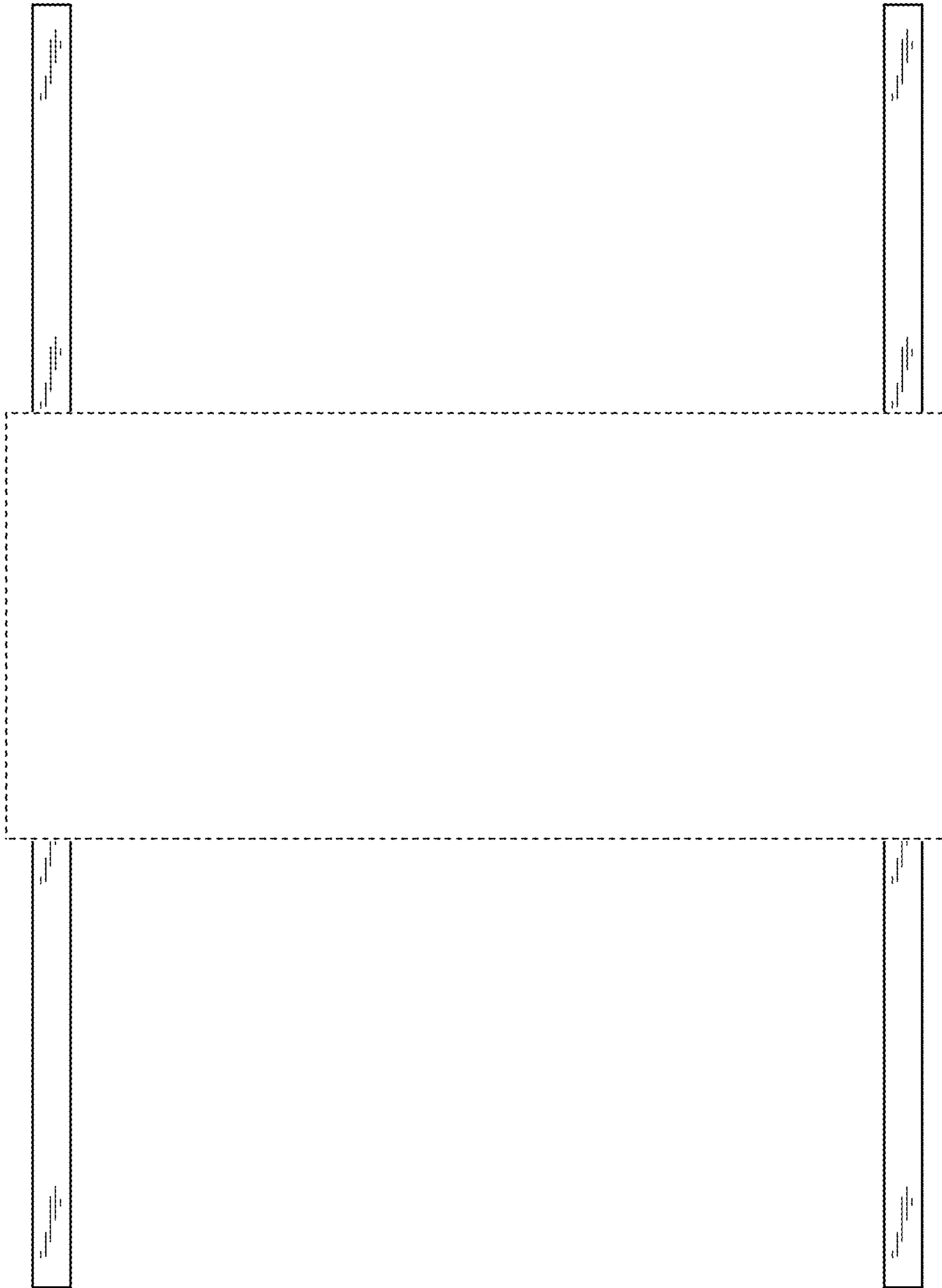


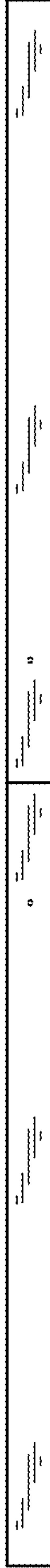
FIG. 9



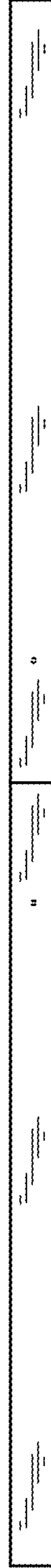
**FIG. 10**



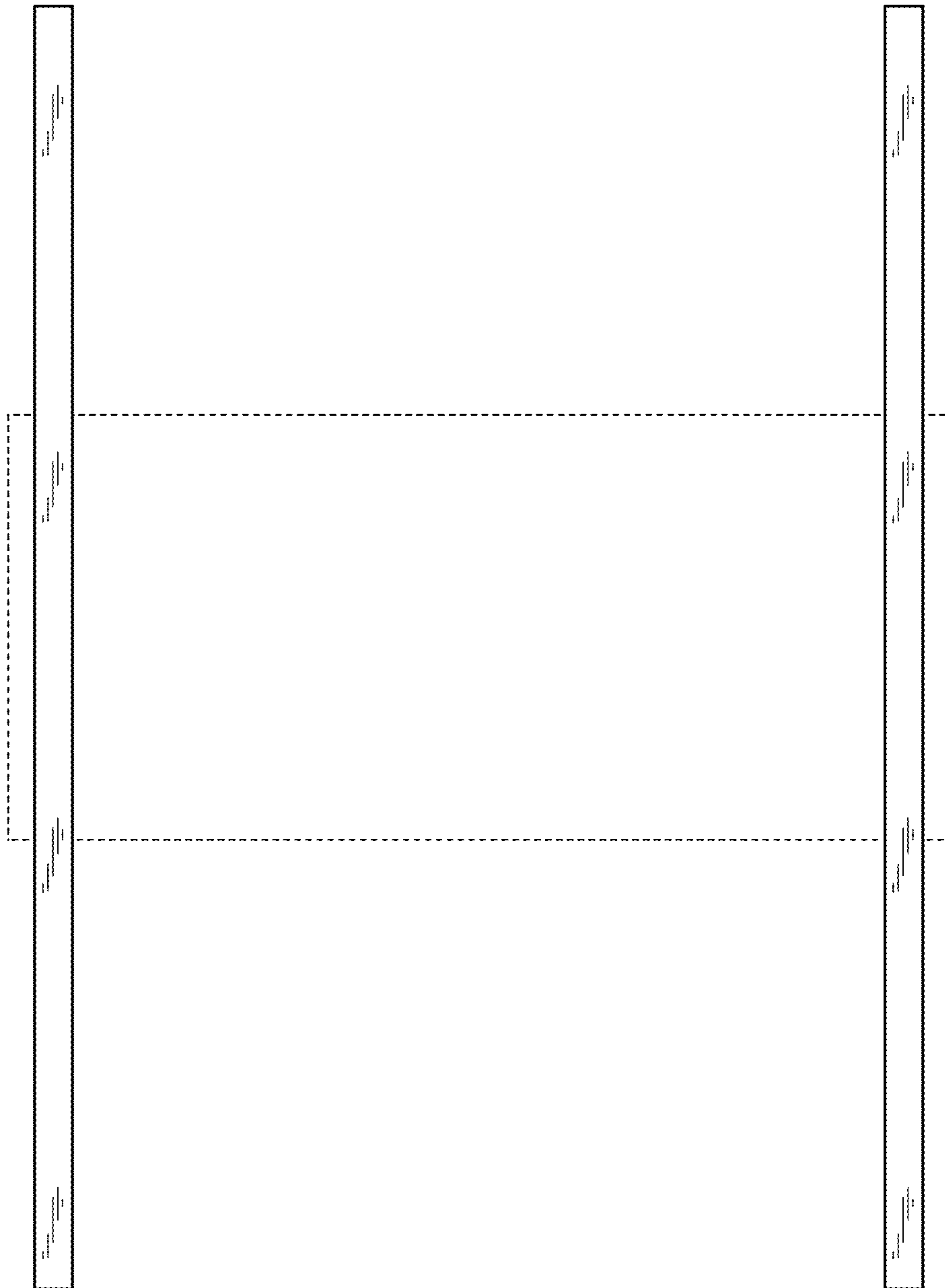
**FIG. 11**



**FIG. 12**



**FIG. 13**



**FIG. 14**