



US00D773219S

(12) **United States Design Patent** (10) **Patent No.:** **US D773,219 S**
Clouse et al. (45) **Date of Patent:** **** Dec. 6, 2016**

(54) **DISPLAY SHELF**
 (71) Applicant: **Target Brands, Inc.**, Minneapolis, MN (US)
 (72) Inventors: **Timothy M. Clouse**, Edina, MN (US); **Scott A. Thorson**, Omaha, NE (US)
 (73) Assignee: **Target Brands, Inc.**, Minneapolis, MN (US)
 (**) Term: **14 Years**
 (21) Appl. No.: **29/511,508**

(22) Filed: **Dec. 11, 2014**
 (51) **LOC (10) Cl.** **06-06**
 (52) **U.S. Cl.**
 USPC **D6/705**
 (58) **Field of Classification Search**
 USPC D6/706, 707.1, 702, 705.7, 705, 707,D6/312, 324, 392; 211/207–208, 183, 74, 211/71.01, 86.01; 40/607.14; 108/28
 CPC A47B 81/02; A47B 96/02; A47B 47/00; A47B 47/03; A47B 47/0091; G09F 7/18; A47F 5/10; A47F 5/16; A47F 5/0018
 See application file for complete search history.

(56) **References Cited**

U.S. PATENT DOCUMENTS

D455,585 S * 4/2002 West D6/705.7
 D521,286 S * 5/2006 Colmenares D26/51
 D572,056 S * 7/2008 McConnell D6/574
 D609,510 S * 2/2010 Stafford D6/705
 D643,656 S * 8/2011 Golias, Sr. D6/705
 D656,347 S * 3/2012 Horn D6/705
 D660,059 S * 5/2012 Nilsson D6/705
 D701,408 S * 3/2014 Mason D6/705.7
 D705,585 S * 5/2014 Kim D6/705.7
 D705,586 S * 5/2014 Denby D6/705.7

D707,067 S * 6/2014 Basarich D6/705
 D716,078 S 10/2014 Theisen et al.
 D717,308 S 11/2014 Knoll et al.
 D718,966 S * 12/2014 Bennie D6/705
 D724,876 S * 3/2015 Gokhale D6/705
 D728,286 S * 5/2015 Leinberger D6/705
 D733,473 S * 7/2015 Troyner D6/705
 2010/0116760 A1* 5/2010 Fazzone A47F 5/0018
 211/49.1
 2012/0006767 A1* 1/2012 Bennett A47B 81/00
 211/26
 2013/0134842 A1* 5/2013 Kassanoff A47B 47/0091
 312/7.2
 2013/0248476 A1* 9/2013 Barenbrugge A47F 5/00
 211/134

(Continued)

Primary Examiner — Rosemary K Tarcza

Assistant Examiner — James Thorn, Sr.

(74) Attorney, Agent, or Firm — Leanne Taveggia Farrell; Westman, Champlin & Koehler, P.A.

(57) **CLAIM**

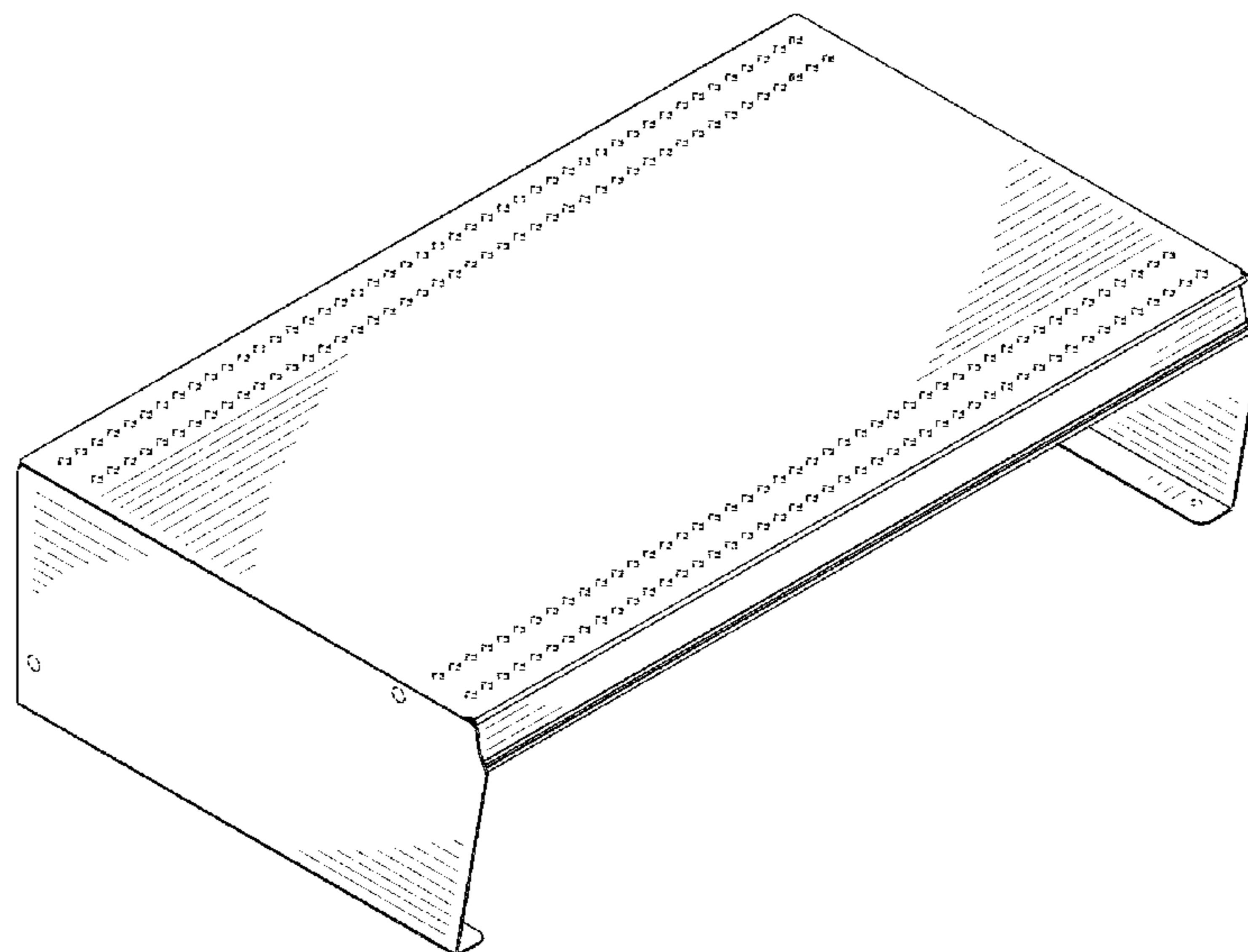
The ornamental design for a display shelf, as shown and described.

DESCRIPTION

FIG. 1 is a perspective view of a first embodiment of a display shelf with environment showing our new design; FIG. 2 is a perspective view thereof without environment; FIG. 3 is a front view thereof; FIG. 4 is a top view thereof; FIG. 5 is a bottom view thereof; and, FIG. 6 is right side view thereof, the left side view being a mirror image.

The broken lines shown in the drawings are included for the purposes of illustrating both environmental structure and unclaimed portions of the display shelf and form no part of the claimed design.

1 Claim, 4 Drawing Sheets



(56)

References Cited

U.S. PATENT DOCUMENTS

2013/0256253 A1* 10/2013 Stuby A47B 47/00
211/186
2014/0027397 A1* 1/2014 Knoll A47F 5/16
211/183
2015/0335155 A1* 11/2015 Winker A47B 87/005
211/90.02
2016/0051044 A1* 2/2016 Sabounjian A47B 47/021
211/186
2016/0166059 A1* 6/2016 Zohar A47B 81/02
312/257.1

* cited by examiner

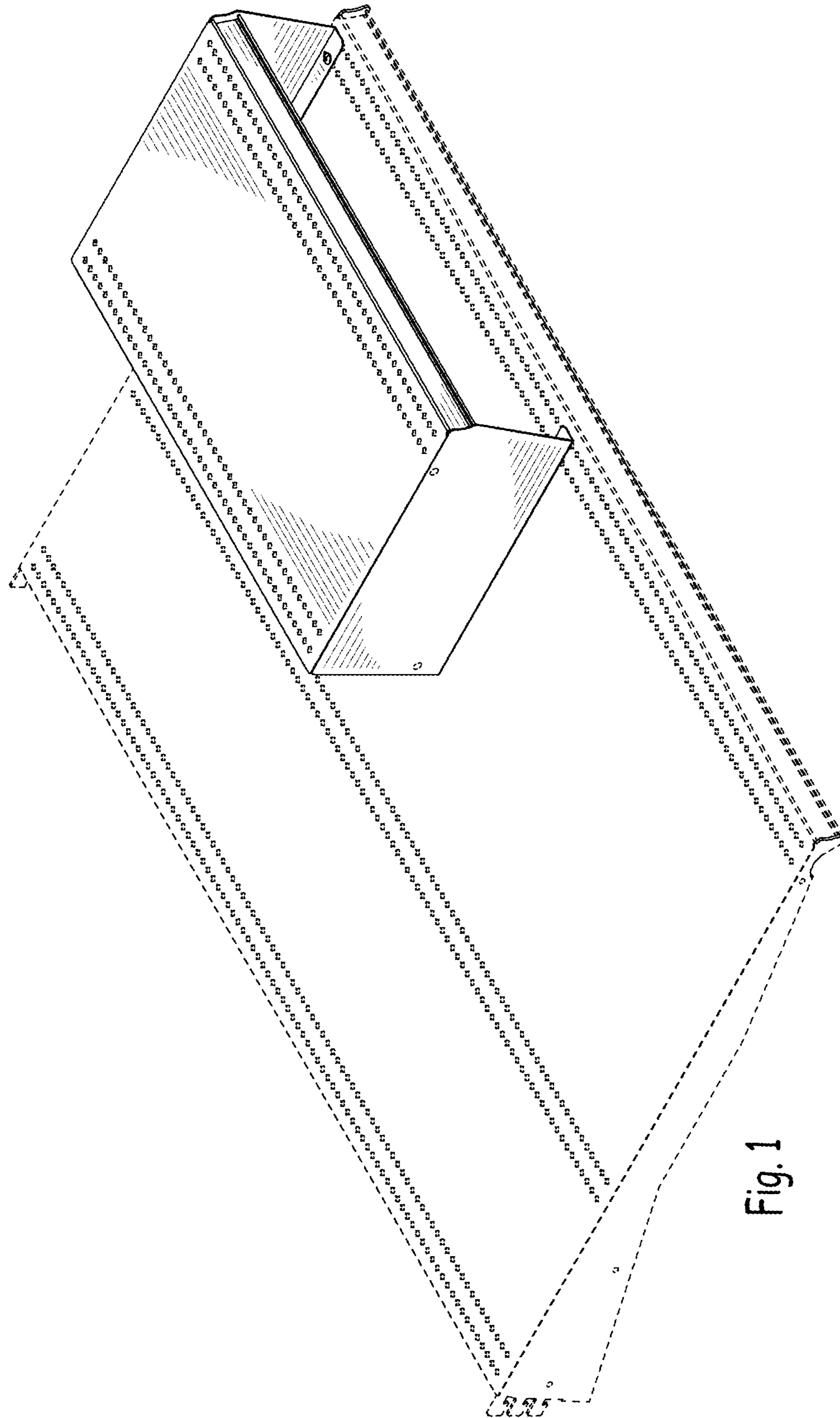


Fig. 1

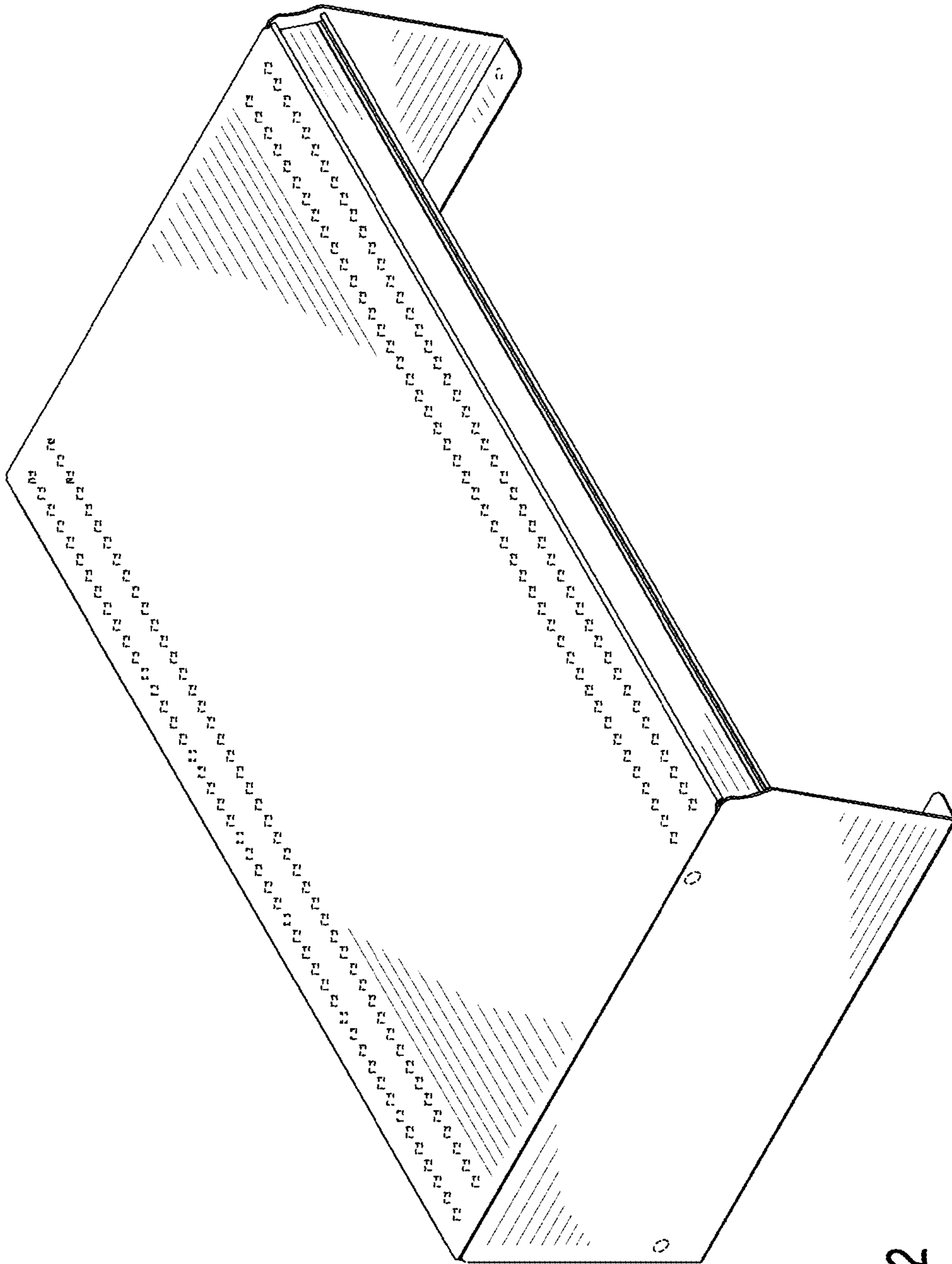


Fig. 2

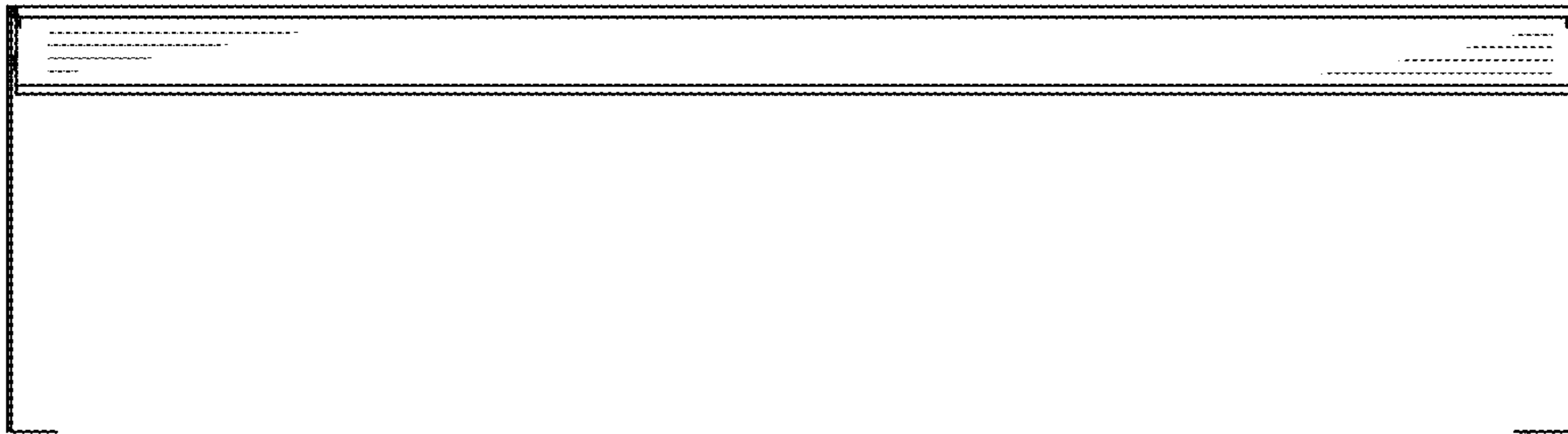


Fig. 3

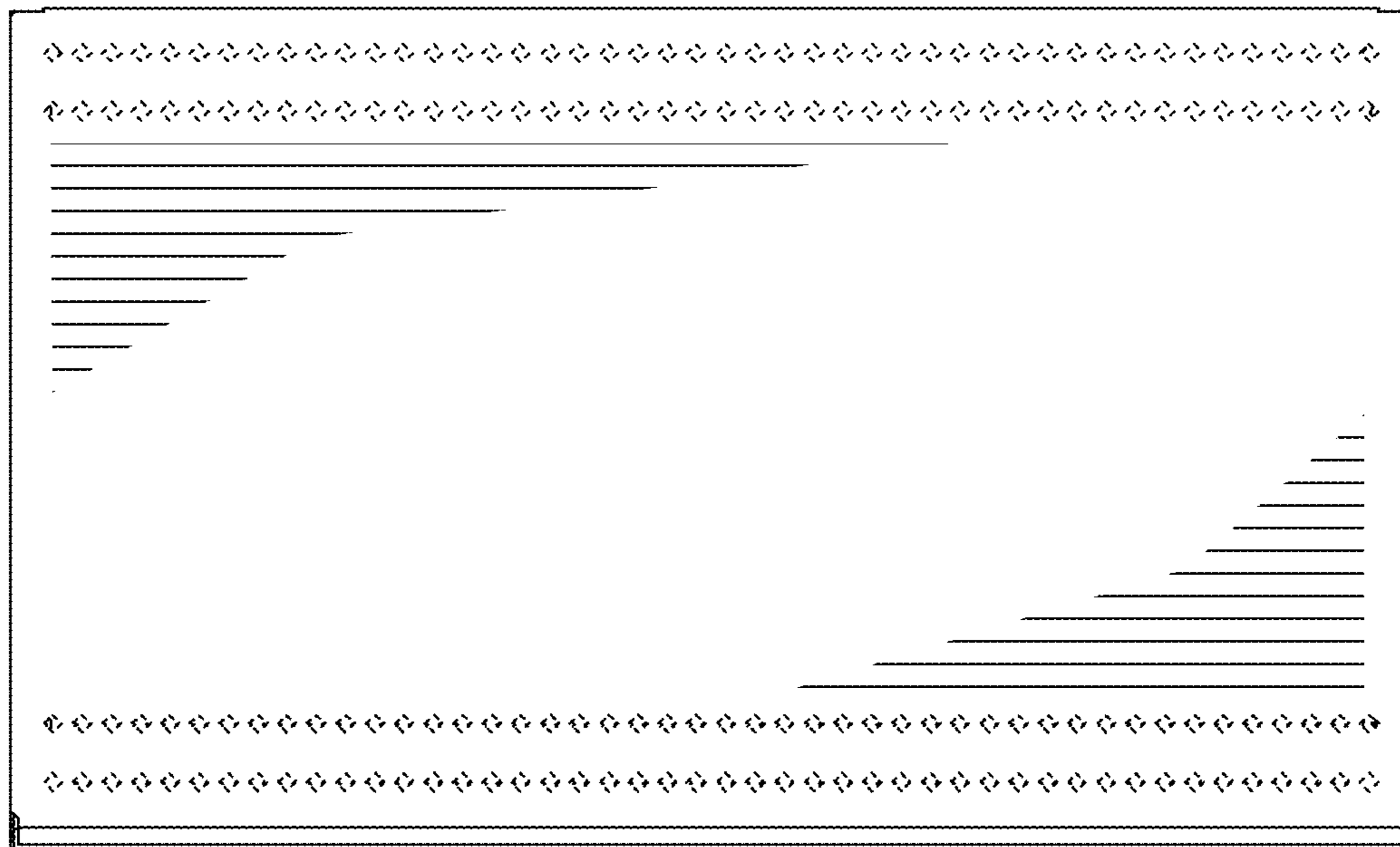


Fig. 4

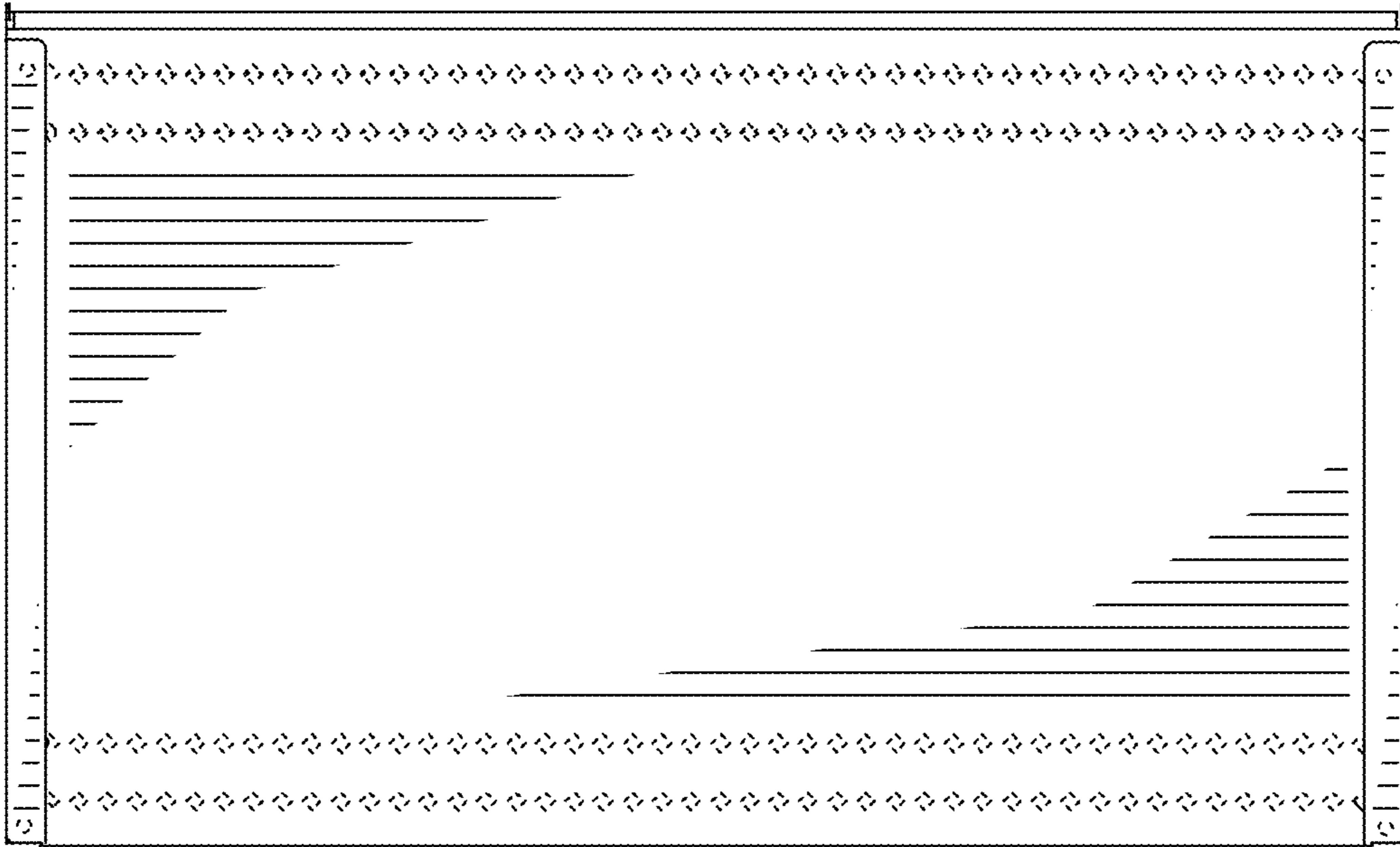


Fig. 5

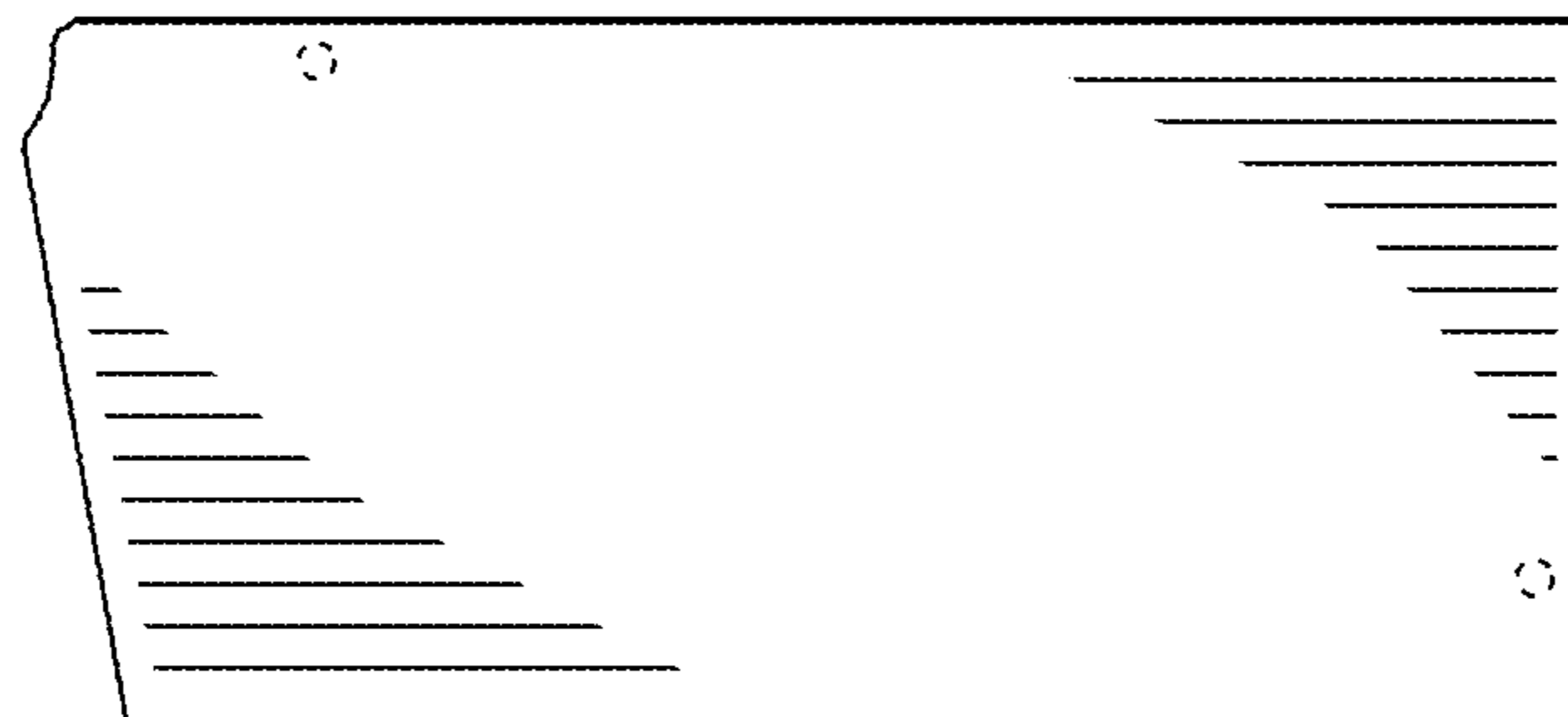


Fig. 6