



US00D773215S

(12) **United States Design Patent** (10) **Patent No.:** **US D773,215 S**
Kappler (45) **Date of Patent:** **** Dec. 6, 2016**

- (54) **STORAGE CABINET**
- (71) Applicant: **Holger Kappler**, Pfalzgrafenweiler (DE)
- (72) Inventor: **Holger Kappler**, Pfalzgrafenweiler (DE)
- (73) Assignee: **Kappler Med + Org GmbH**, Pfalzgrafenweiler (DE)
- (**) Term: **14 Years**
- (21) Appl. No.: **29/517,555**
- (22) Filed: **Feb. 13, 2015**
- (51) **LOC (10) Cl.** **06-04**
- (52) **U.S. Cl.**
USPC **D6/671**
- (58) **Field of Classification Search**
USPC D6/663, 668, 668.1, 668.2, 667, 671, D6/671.1, 671.2
CPC A47B 17/04; A47B 45/00; A47B 63/00; A47B 67/00; A47B 67/04; A47B 88/00; A47B 88/04; A47B 88/044
See application file for complete search history.

7,712,848 B1 * 5/2010 Frost-McKinley A47B 67/04 312/240
 D734,071 S * 7/2015 Zhao D6/671.1
 D741,090 S * 10/2015 Ward D6/671
 9,204,721 B2 * 12/2015 Gasser A47B 88/04

* cited by examiner

Primary Examiner — Mimosa De
 (74) *Attorney, Agent, or Firm* — Andrew S. Langsam; Pryor Cashman LLP

(57) **CLAIM**

The ornamental design for a storage cabinet, substantially as shown and described.

DESCRIPTION

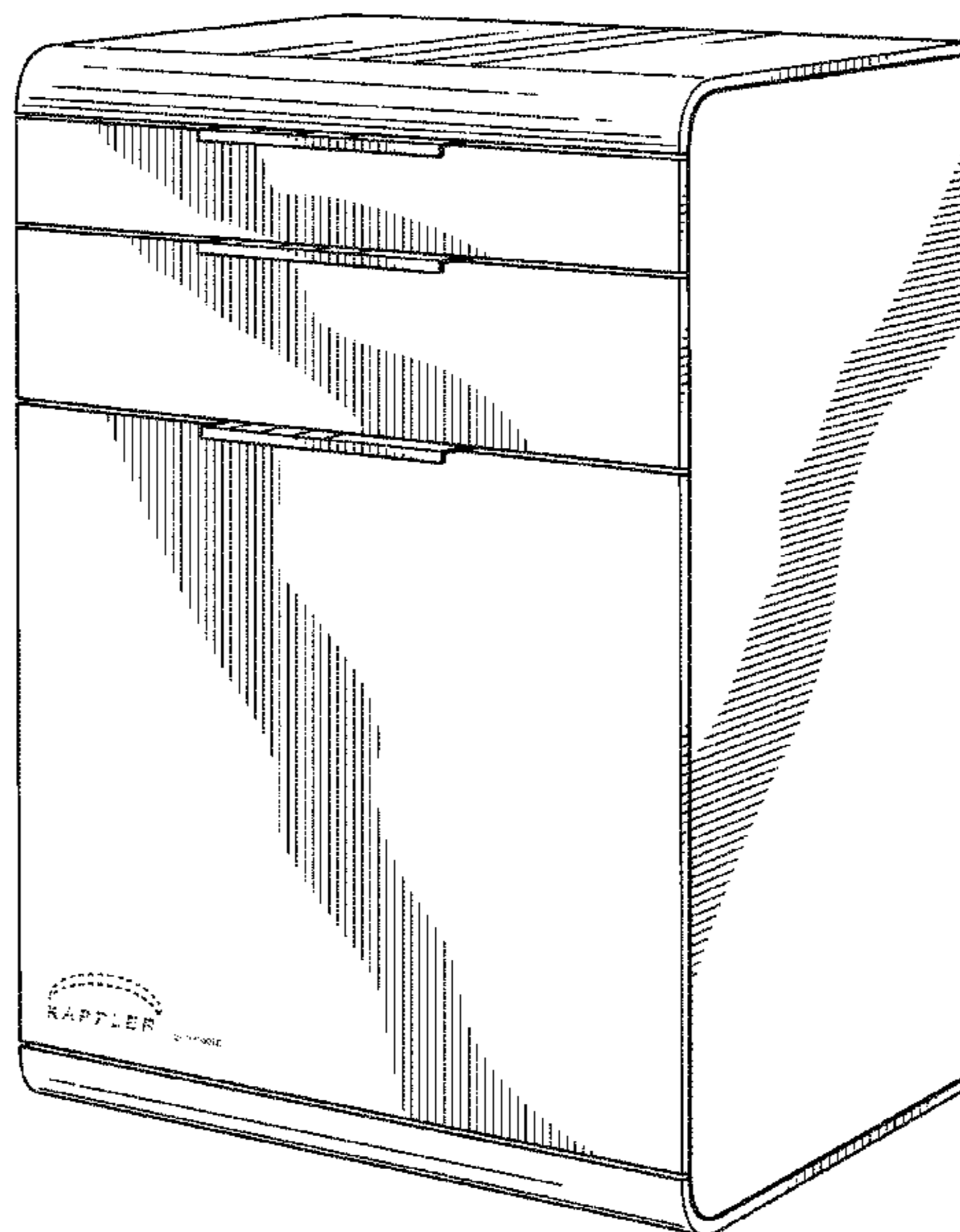
FIG. 1. is an angled front view of the design with all compartments in the closed position;
 FIG. 2. is an angled front view of the design with all compartments in the open position;
 FIG. 3. is a side view of the design with all compartments in the closed position;
 FIG. 4. is a front view of the design with all compartments in the closed position;
 FIG. 5. is a front view of the design with the bottom compartment in the open position and the top and middle compartments in the closed position;
 FIG. 6. is a detailed view of the bottom compartment in the open position when the top and middle compartments are in the closed position;
 FIG. 7. is a back view of the design;
 FIG. 8. is an angled back view of the design; and,
 FIG. 9. is a detailed and front angled view of a bottom edge of the design.
 The broken lines shown on the drawing are for the purpose of illustrating environmental structure and form no part of the claimed design.

(56) **References Cited**

U.S. PATENT DOCUMENTS

- D258,032 S * 1/1981 Tebbe D6/671
- D287,676 S * 1/1987 Christen D6/671
- D340,820 S * 11/1993 Frischer D6/668
- D418,959 S * 1/2000 Tisbo D6/671
- D419,333 S * 1/2000 Verbeek D6/671
- D496,805 S * 10/2004 Anderson D6/671
- D506,088 S * 6/2005 Moon D6/671.1
- 6,988,626 B2 * 1/2006 Varghese A47B 88/044 312/334.4
- D537,651 S * 3/2007 Seo D6/671.1

1 Claim, 9 Drawing Sheets



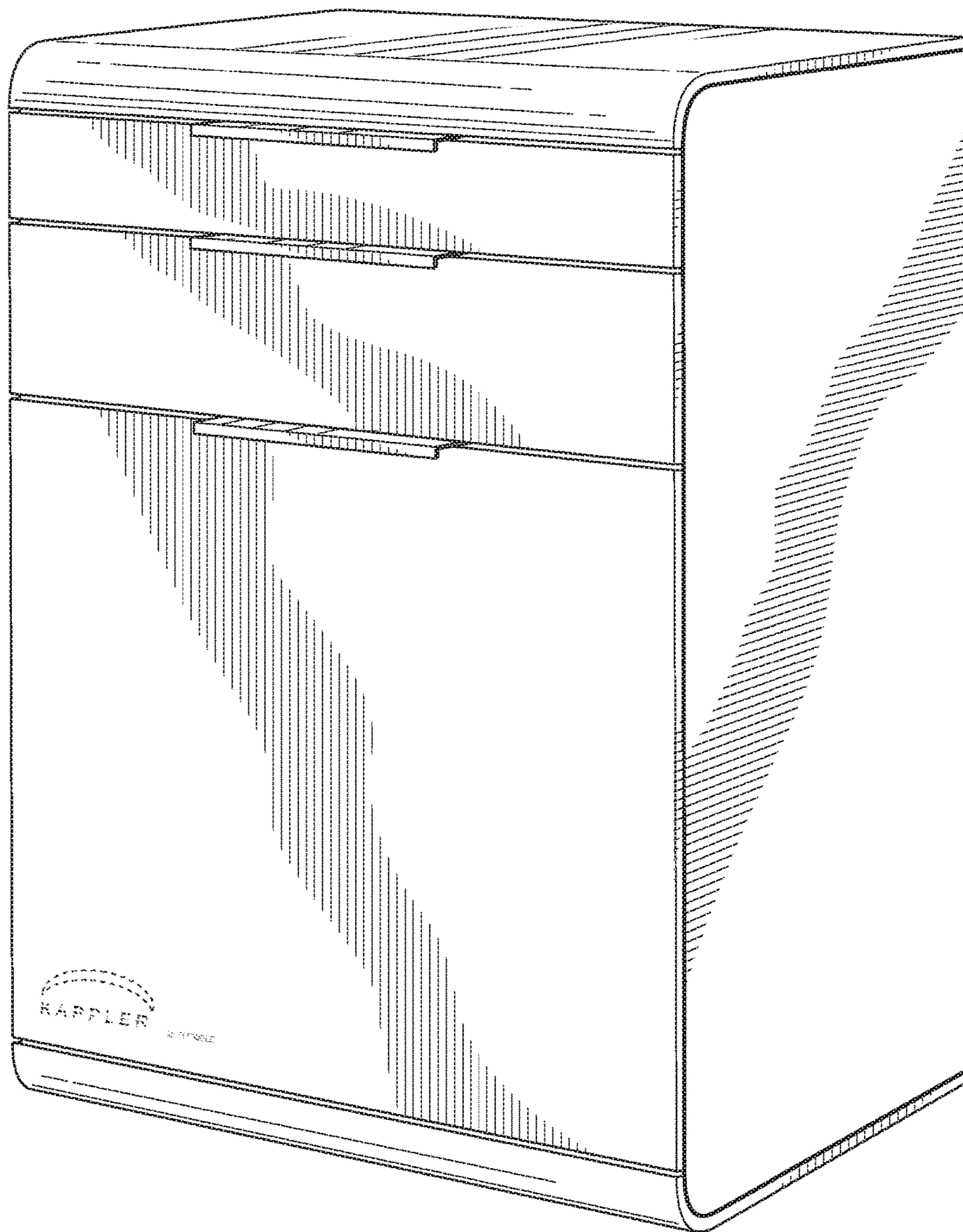


FIG. 1

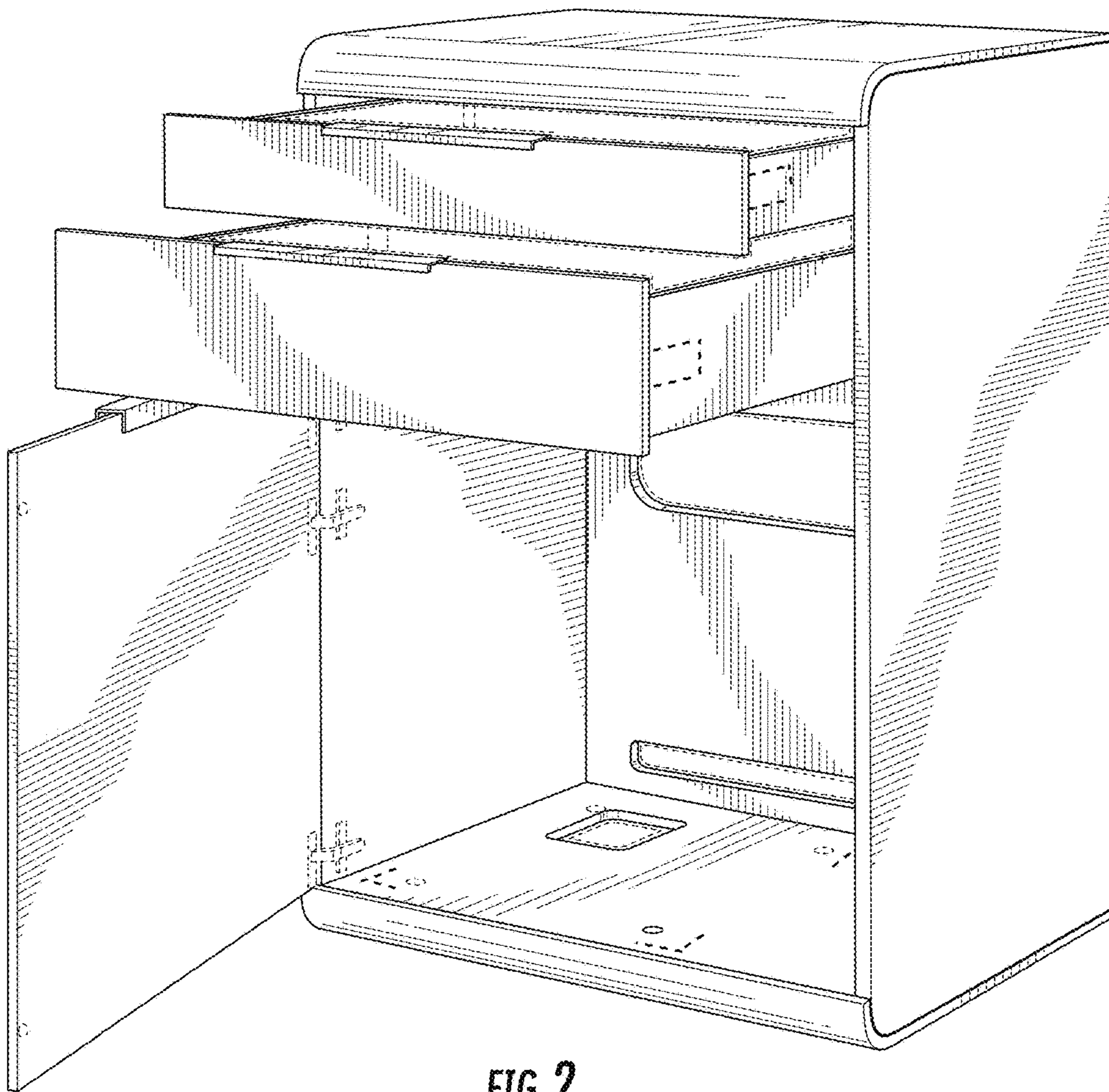


FIG. 2

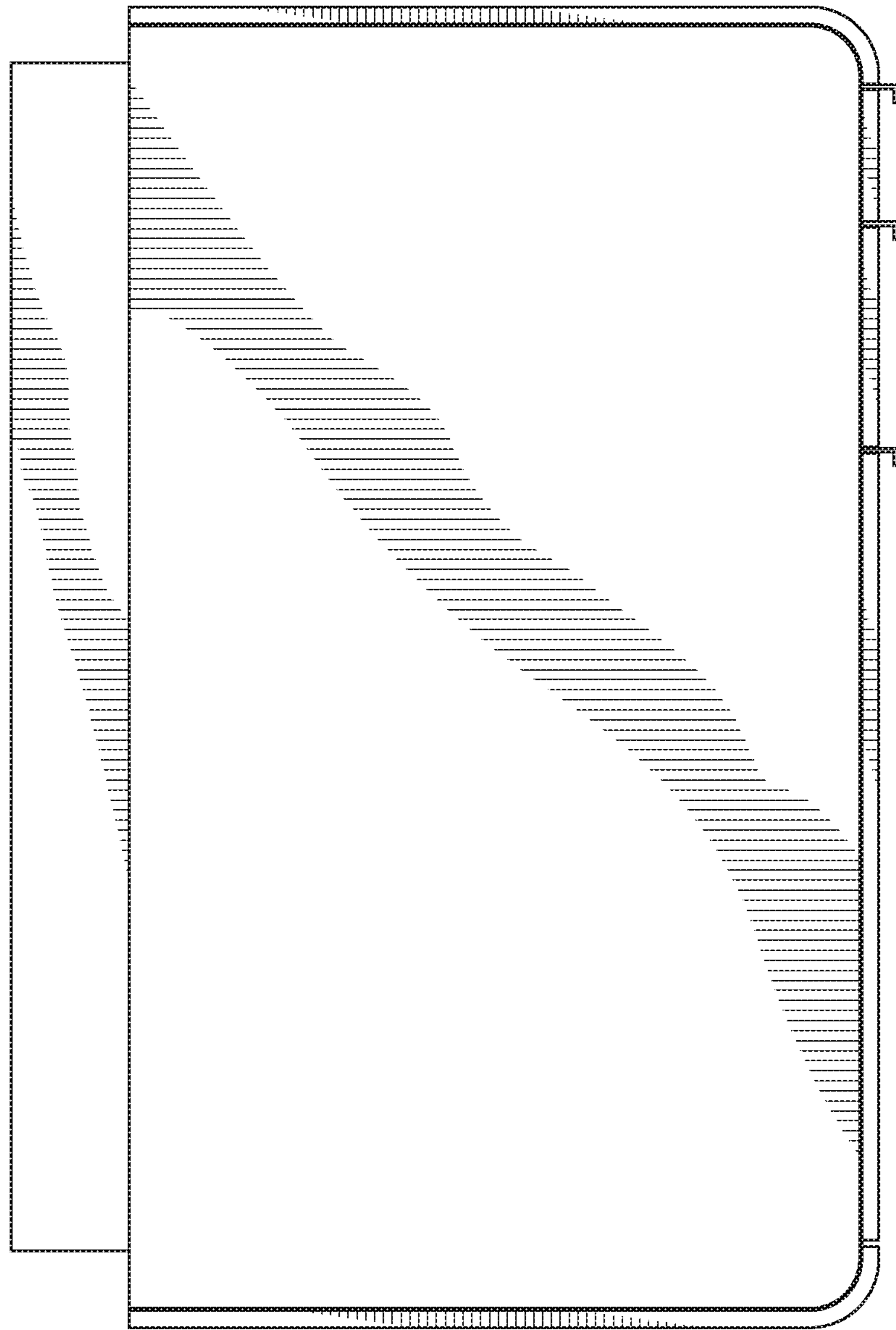


FIG. 3

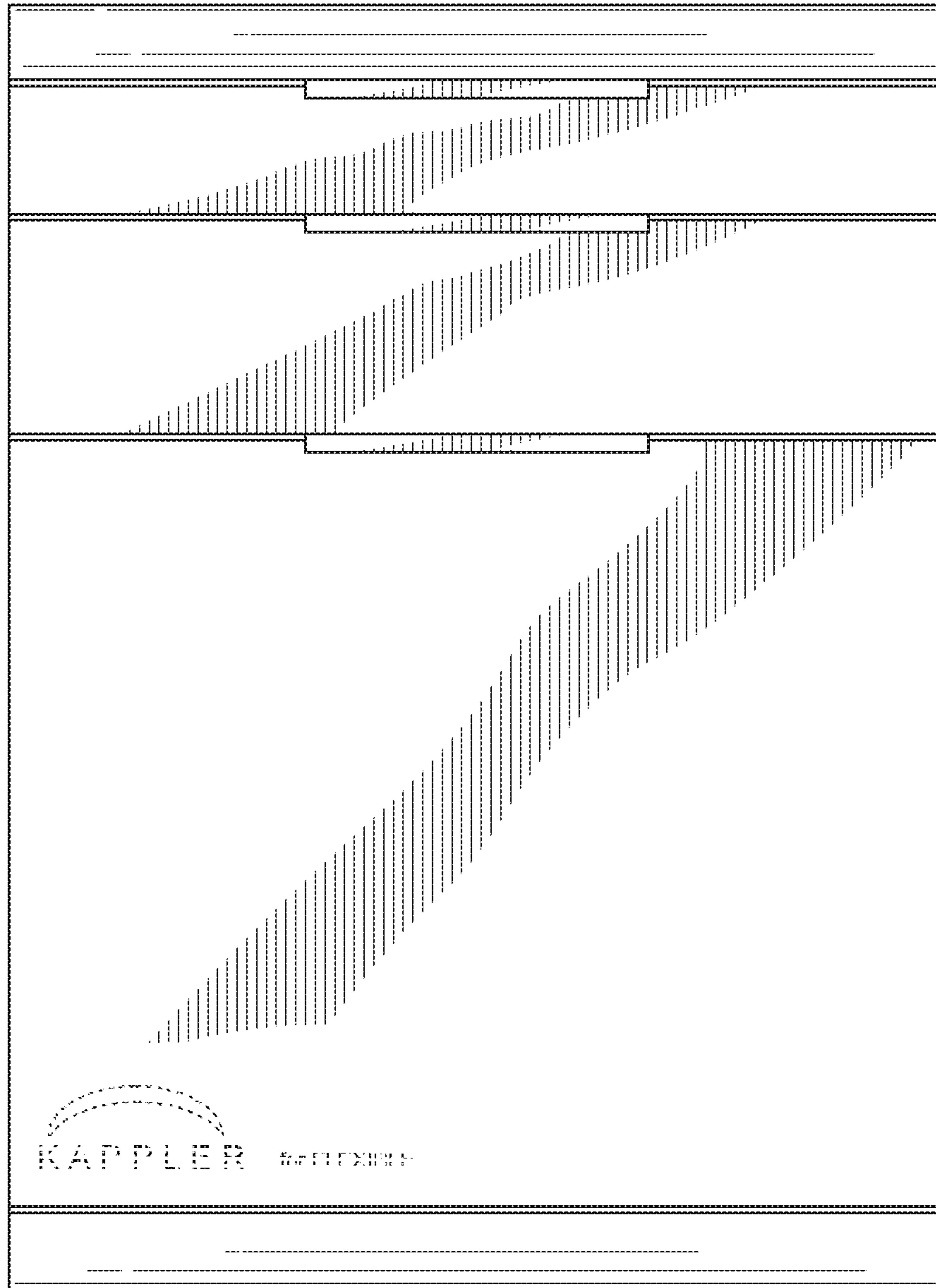


FIG. 4

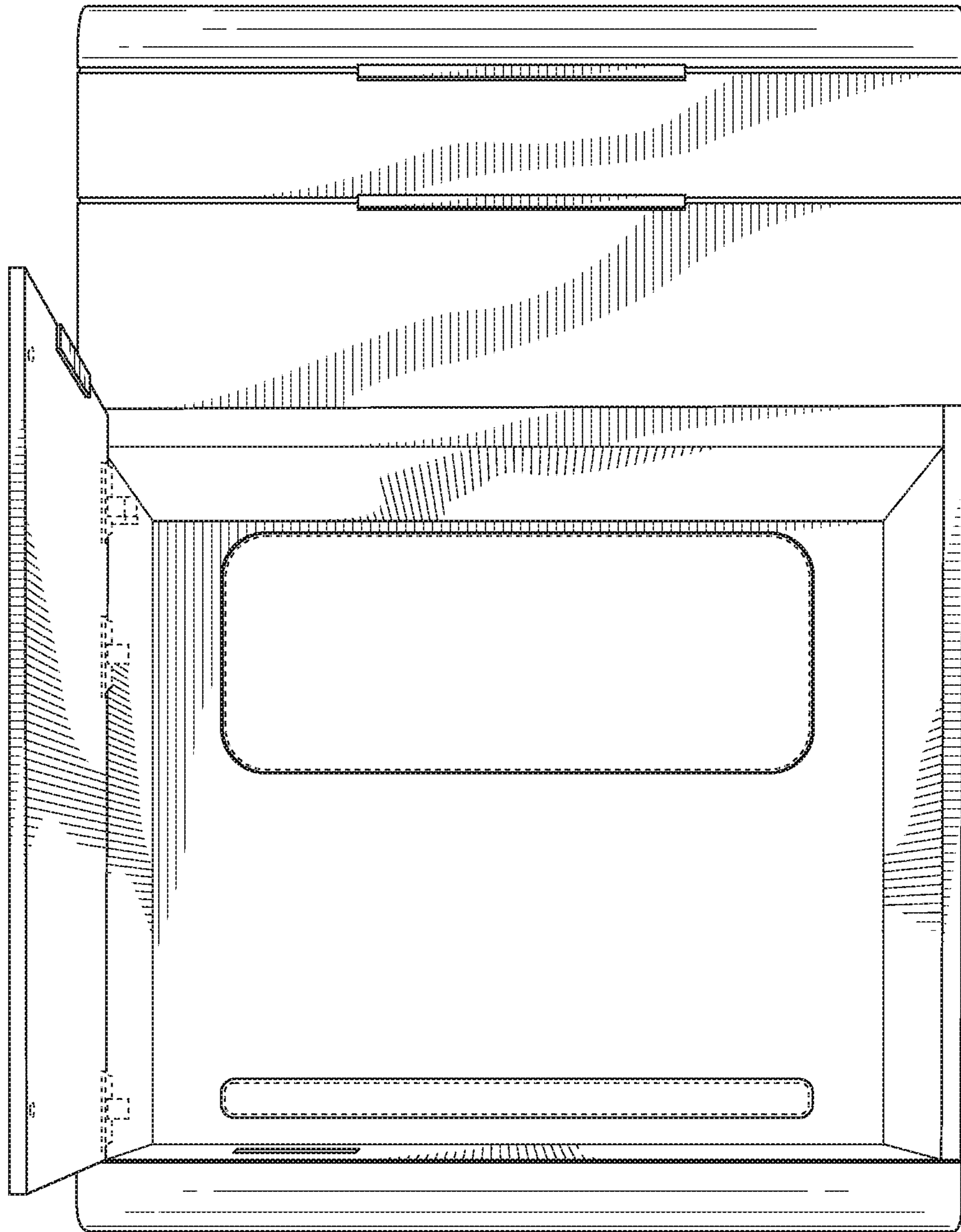
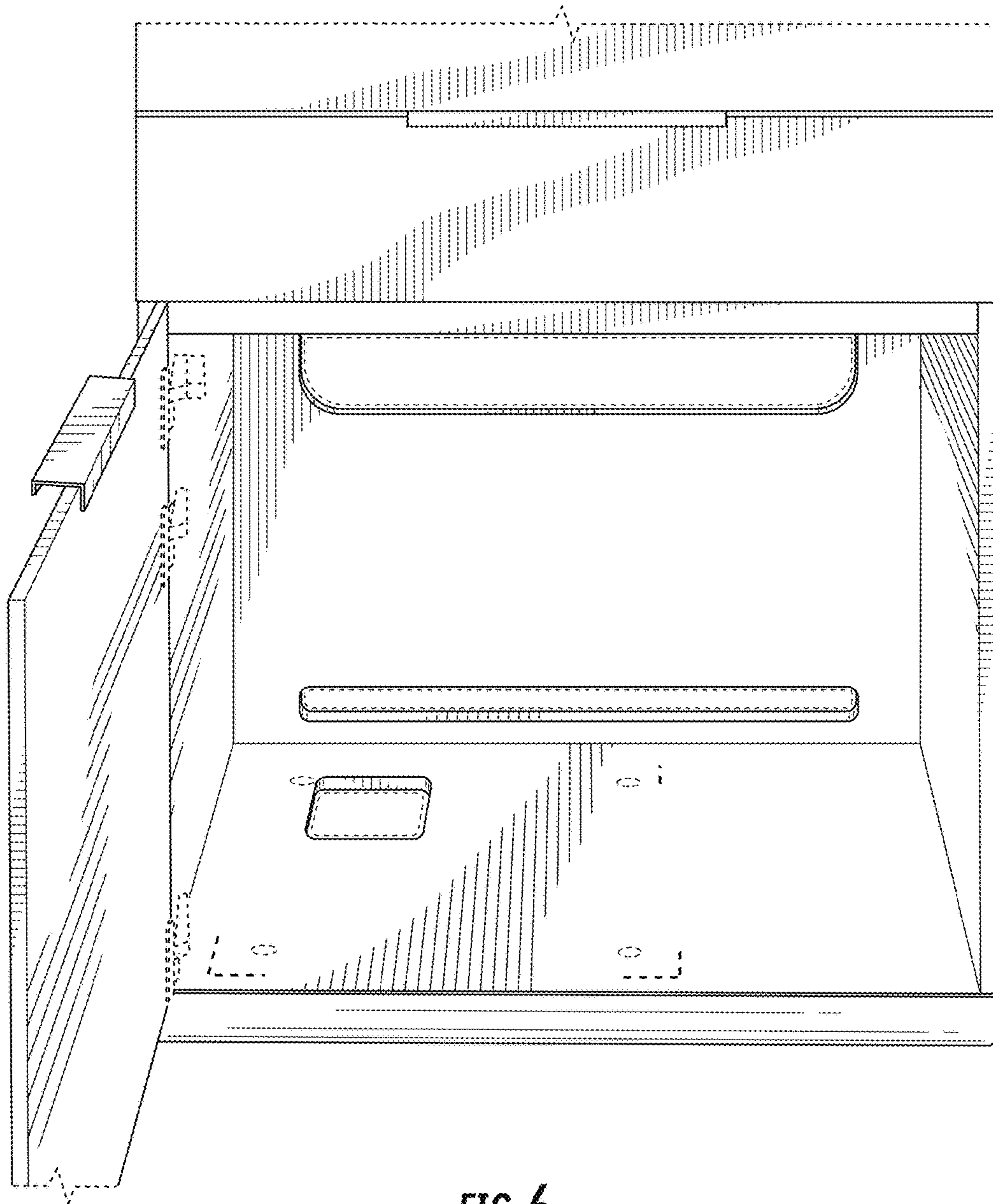


FIG. 5



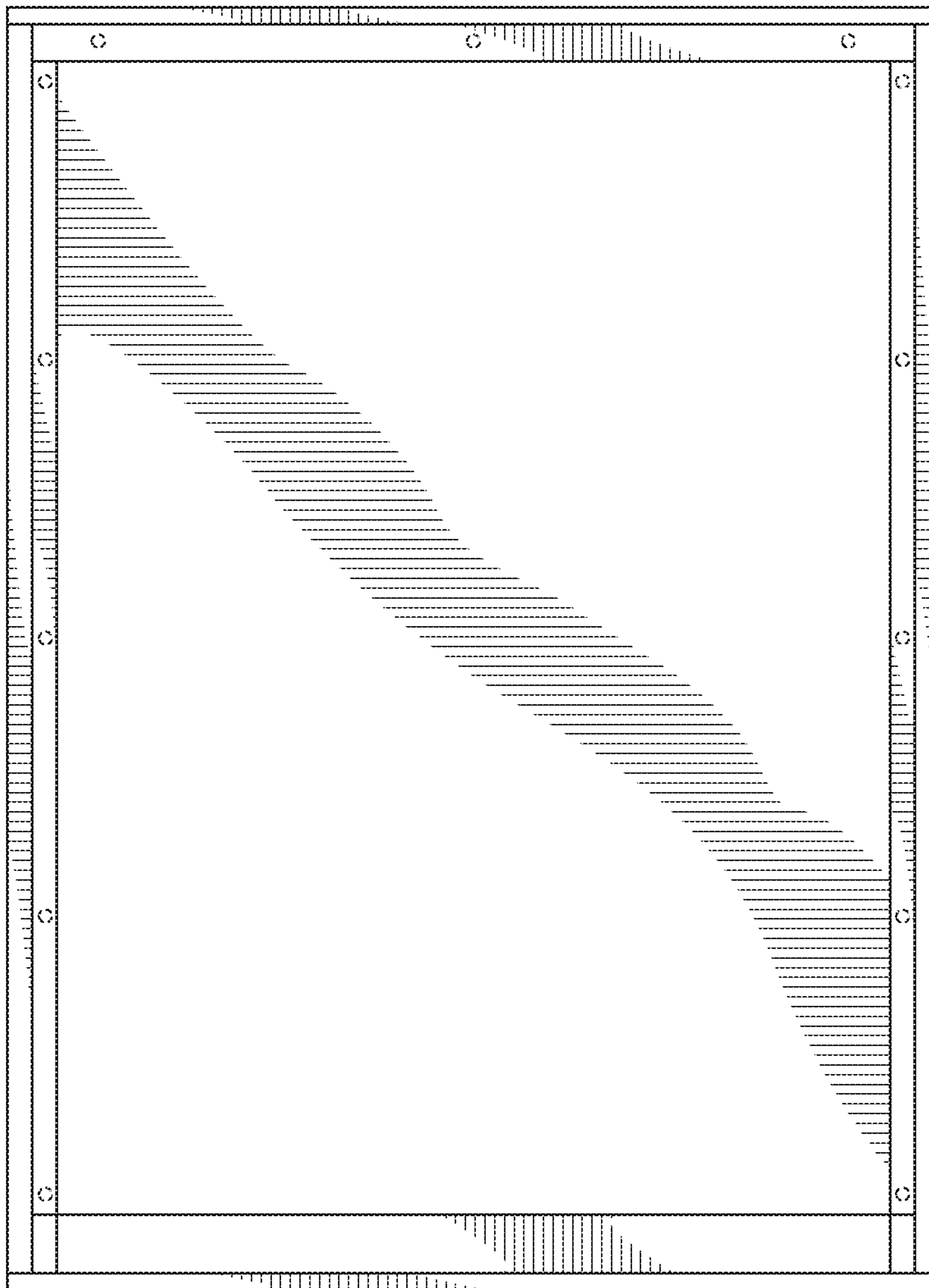


FIG. 7

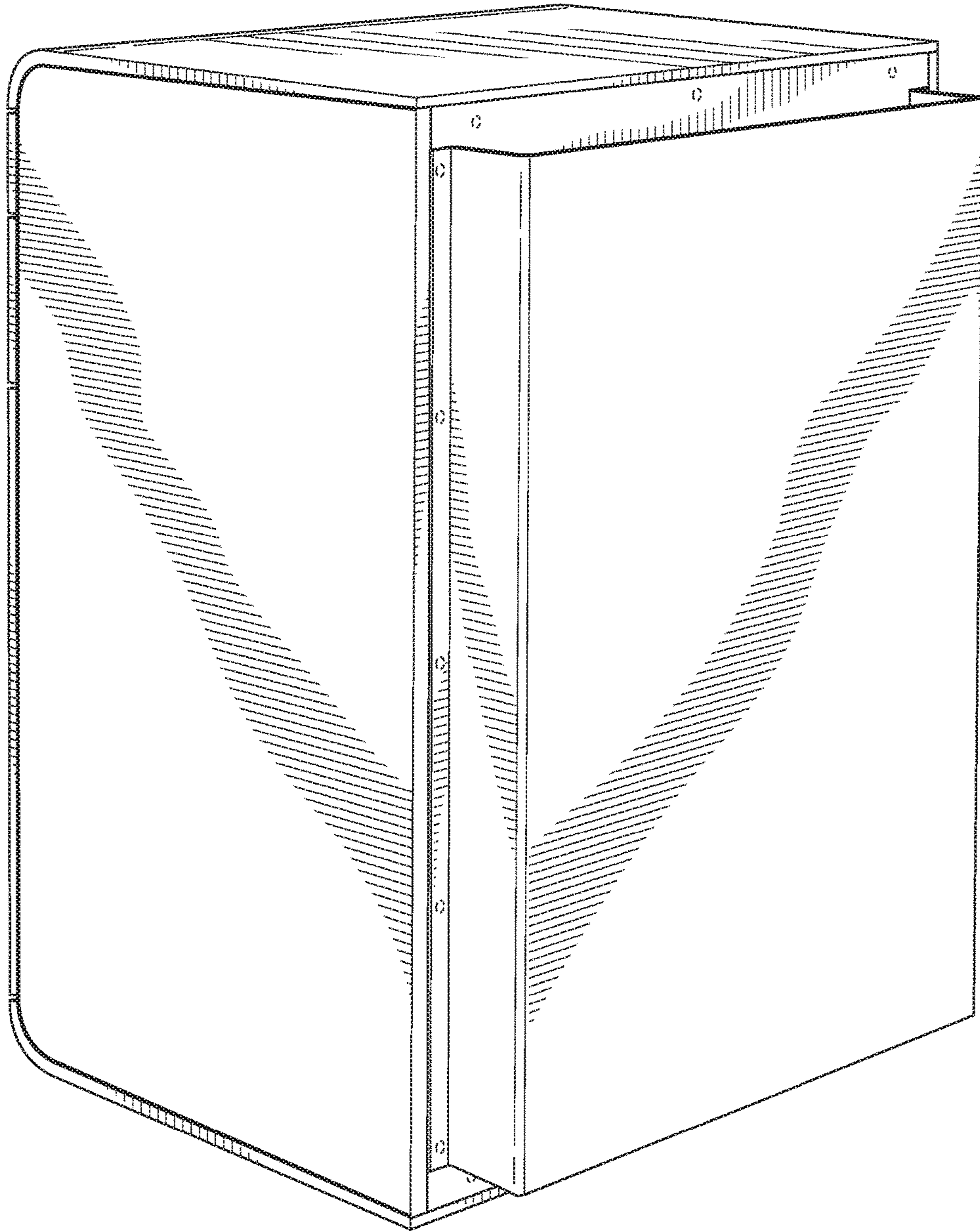


FIG. 8

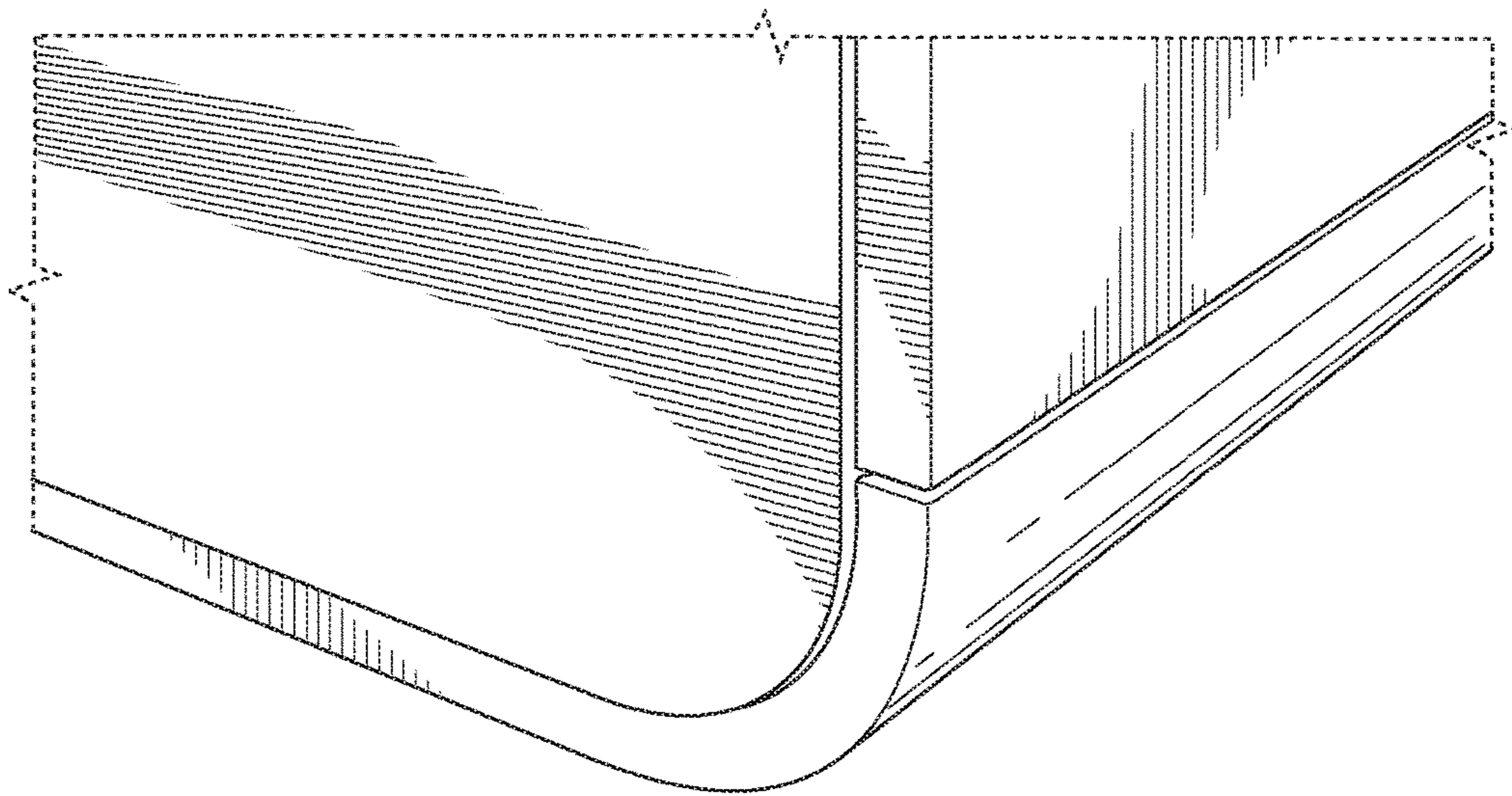


FIG. 9