



US00D773214S

(12) **United States Design Patent**  
**Ben Avi**

(10) **Patent No.:** **US D773,214 S**  
(45) **Date of Patent:** **\*\* Dec. 6, 2016**

(54) **STORAGE UNIT**

(71) Applicant: **Keter Plastic Ltd.**, Herzelia (IL)  
(72) Inventor: **Ehud Ben Avi**, Kibbutz Gazit (IL)  
(73) Assignee: **Keter Plastic Ltd.**, Herzelia (IL)

(\*\*) Term: **14 Years**

(21) Appl. No.: **29/524,298**

(22) Filed: **Apr. 20, 2015**

(30) **Foreign Application Priority Data**

Nov. 30, 2014 (IL) ..... 56280

(51) **LOC (10) Cl.** ..... **06-04**

(52) **U.S. Cl.**  
USPC ..... **D6/657**

(58) **Field of Classification Search**  
USPC ..... D6/657, 661-664, 668, 668.1,  
668.2, D6/671, 671.1, 677.3, 691.1, 703,  
708.16; D23/286

CPC ..... A47B 17/04; A47B 47/02; A47B 47/03;  
A47B 87/00; A47B 3/06; A47B  
3/043; A47B 3/0434; E03C 1/18  
See application file for complete search history.

(56) **References Cited**

**U.S. PATENT DOCUMENTS**

D317,837 S \* 7/1991 Grey ..... D6/691.1  
D319,743 S \* 9/1991 Grey ..... D6/657

D442,391 S \* 5/2001 Wu ..... D6/691.1  
6,574,805 B1 \* 6/2003 Liu ..... E03C 1/18  
4/619  
D500,929 S \* 1/2005 Walker ..... D6/671.1  
D534,998 S \* 1/2007 Charnik ..... D23/286  
D536,770 S \* 2/2007 Mayer ..... D23/286  
D538,406 S \* 3/2007 Mayer ..... D23/286  
D559,583 S \* 1/2008 Zambelli ..... D6/661  
D663,135 S \* 7/2012 Zambelli ..... D6/708.16  
D713,177 S \* 9/2014 Litt ..... D6/671.1  
D720,563 S \* 1/2015 Burden ..... D6/671.1  
D722,458 S \* 2/2015 Chen ..... D6/671.1

\* cited by examiner

*Primary Examiner* — Ricky Pham

(74) *Attorney, Agent, or Firm* — Eitan, Mehulal & Sadot

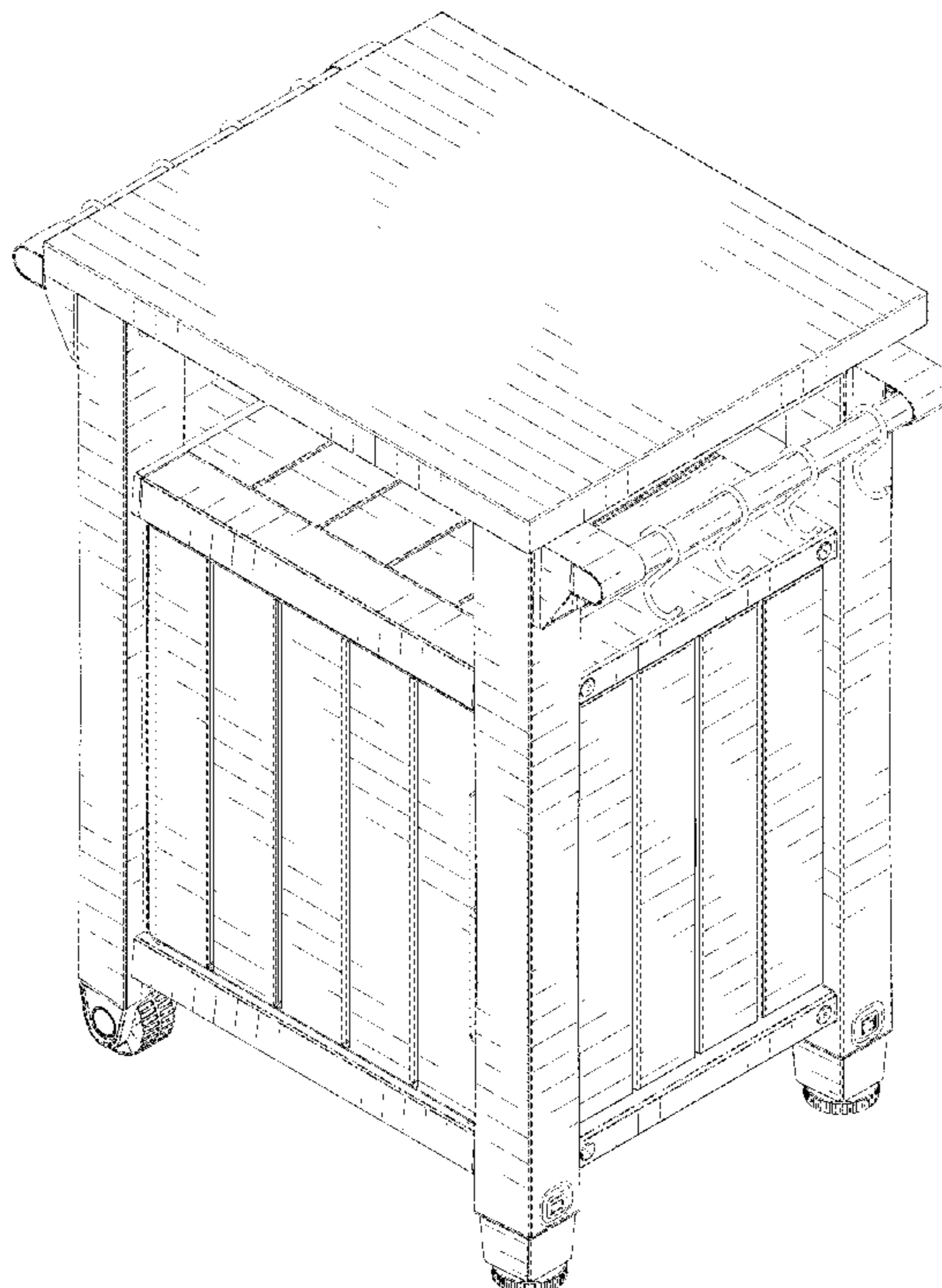
(57) **CLAIM**

The ornamental design for a storage unit, as shown and described.

**DESCRIPTION**

FIG. 1 is a perspective view of the storage unit;  
FIG. 2 is a front view thereof;  
FIG. 3 is a rear view thereof;  
FIG. 4 is a right side view thereof;  
FIG. 5 is a left side view thereof;  
FIG. 6 is a top view thereof; and,  
FIG. 7 is a bottom view thereof.

**1 Claim, 7 Drawing Sheets**



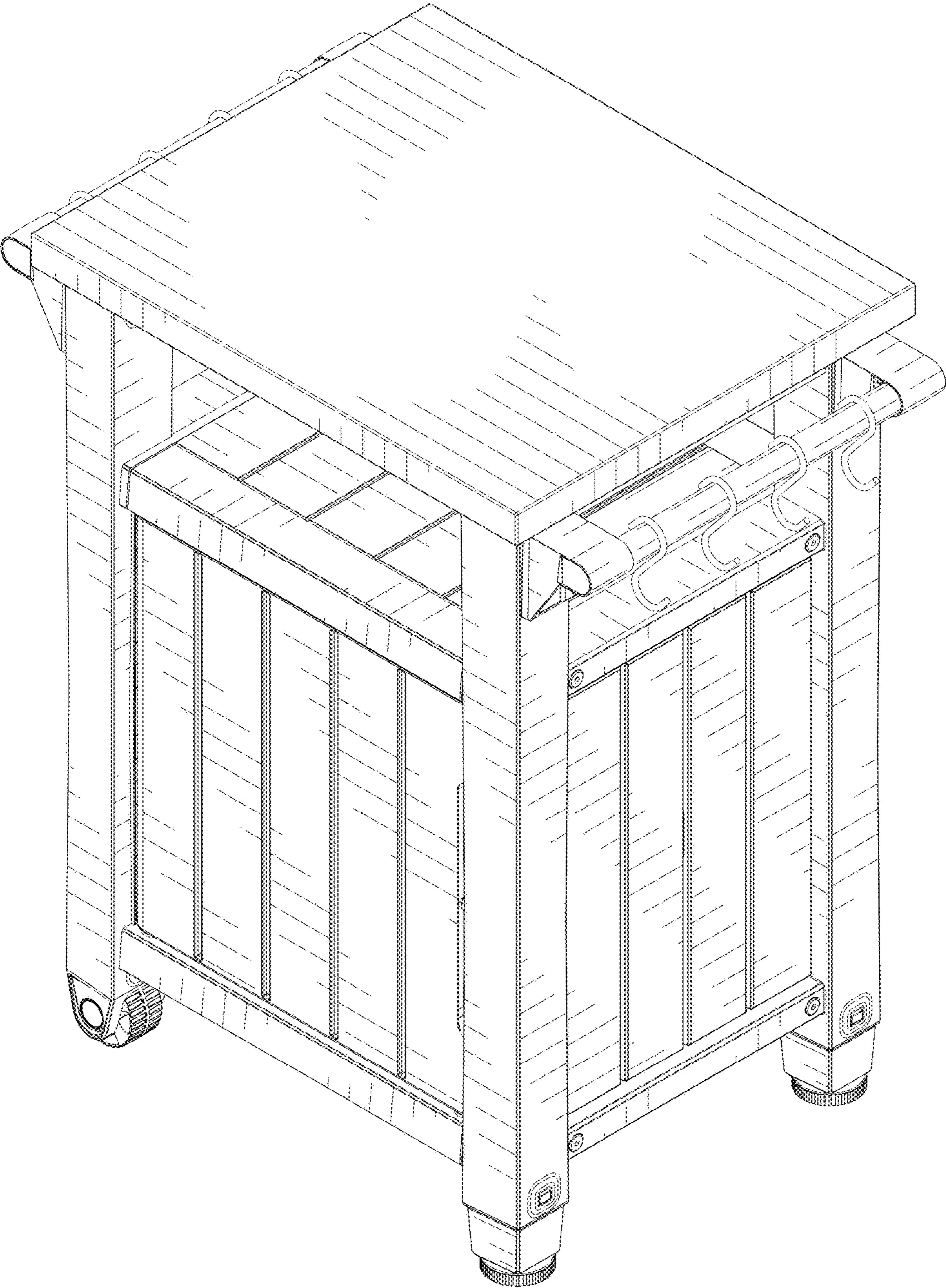


FIG.1

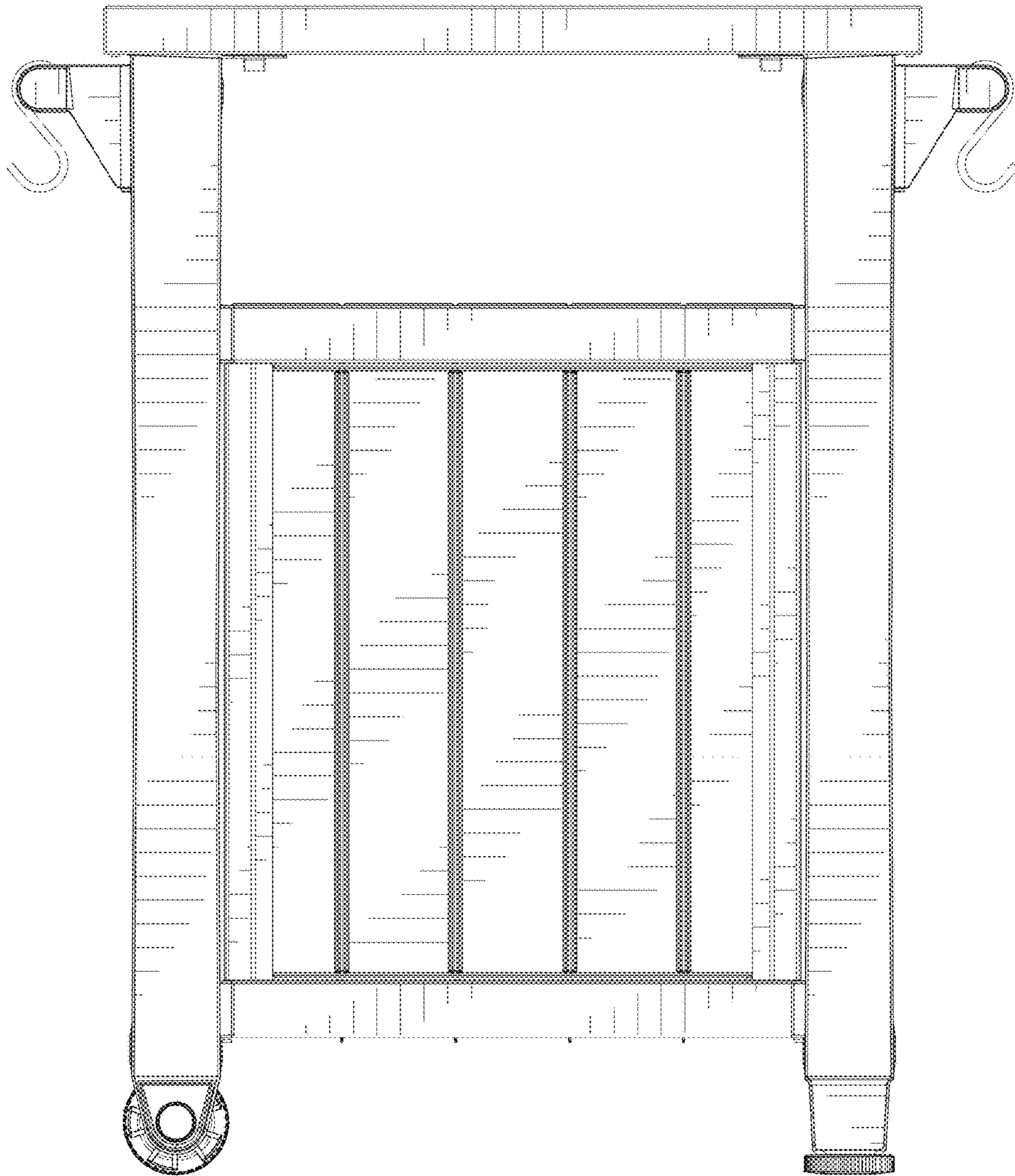


FIG. 2

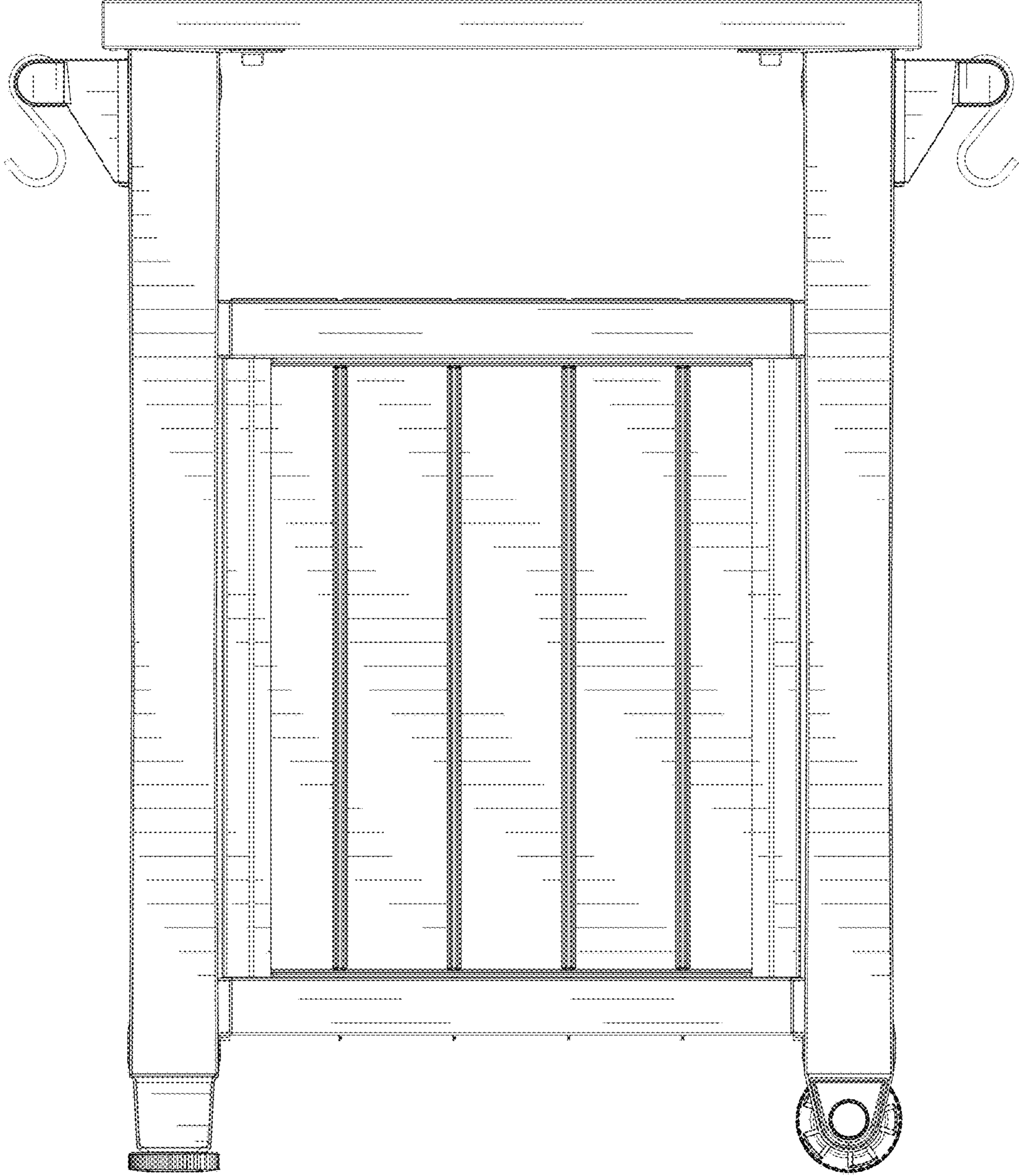


FIG. 3

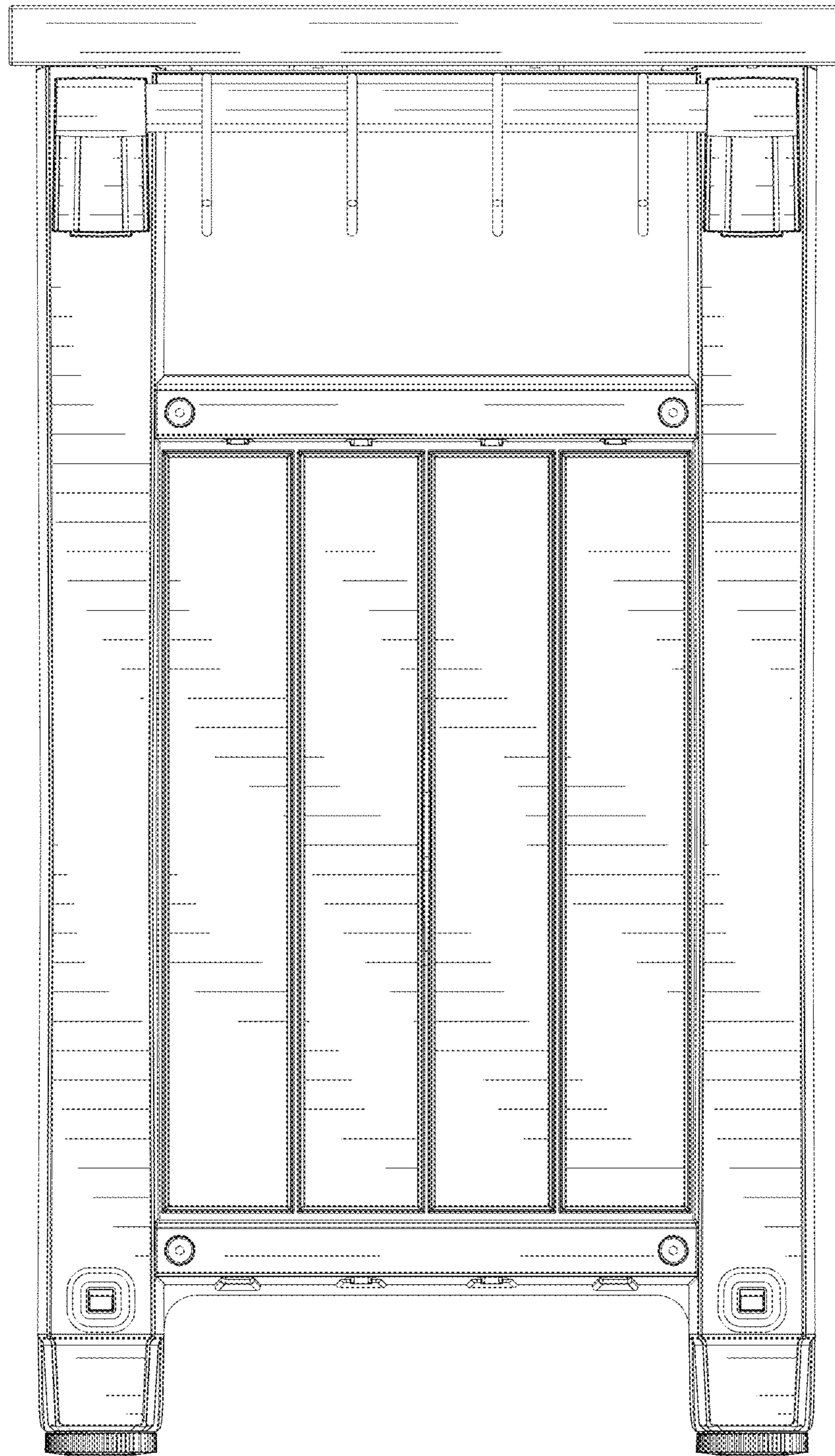


FIG. 4

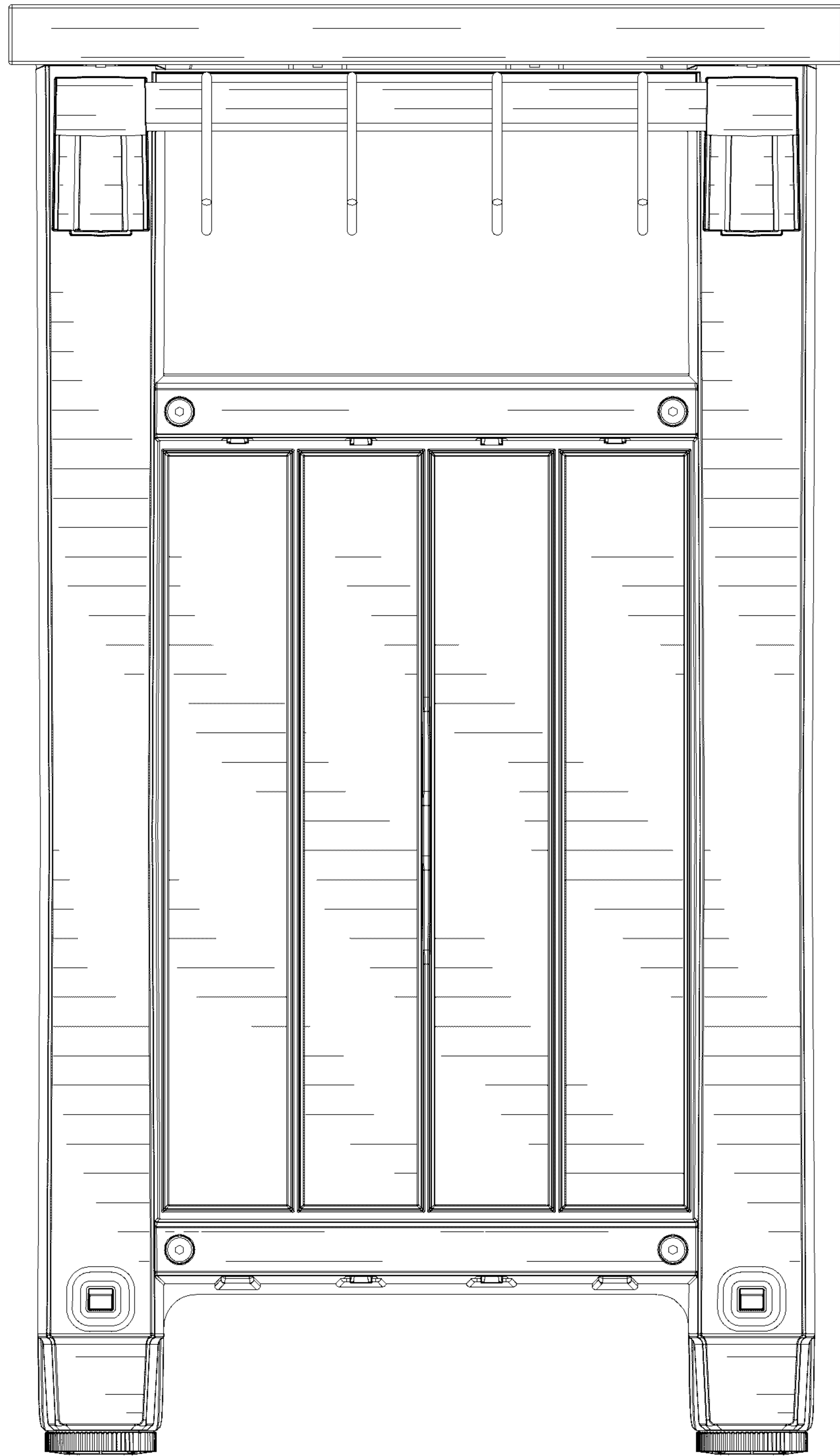


FIG. 5

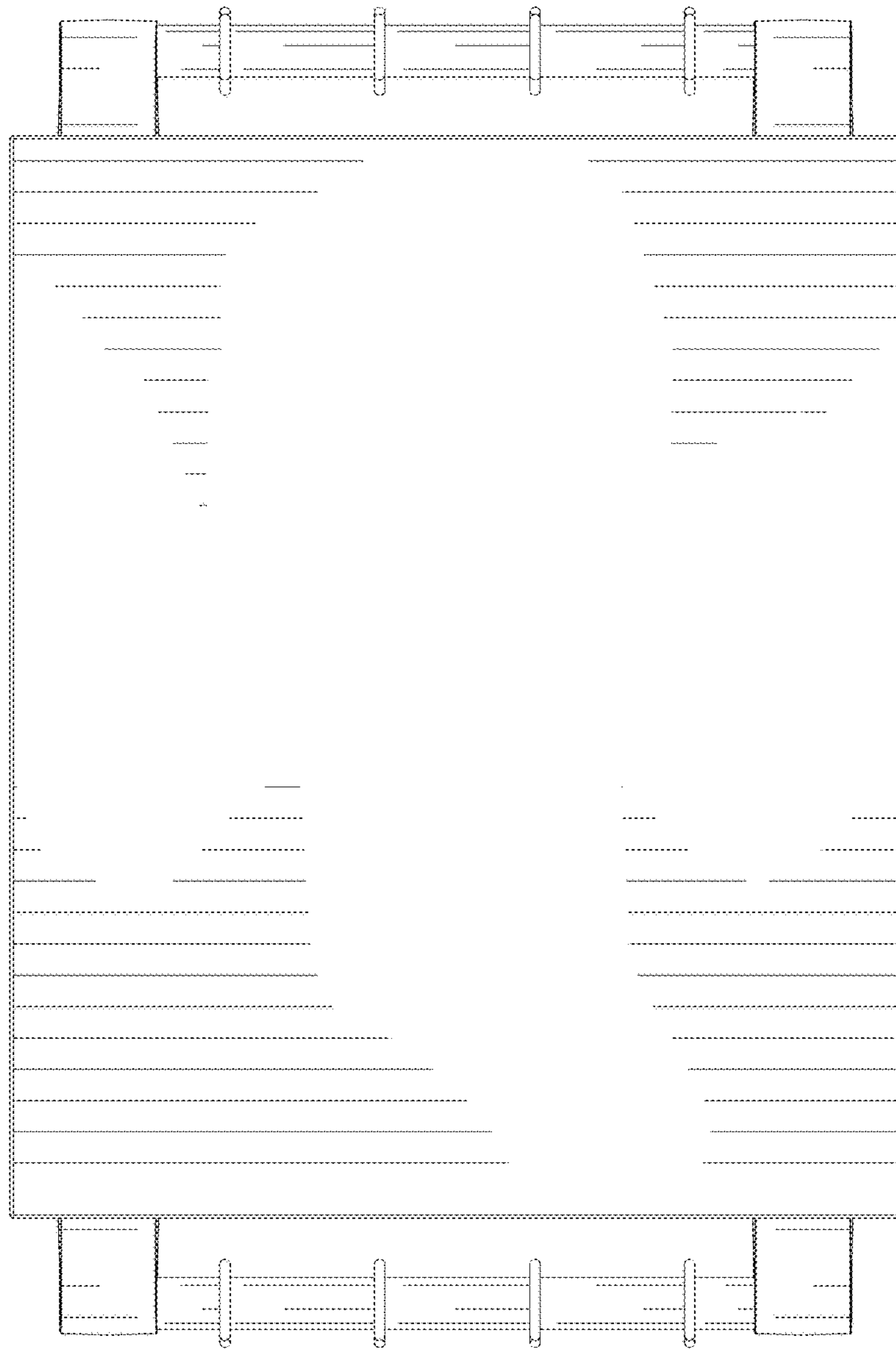


FIG. 6

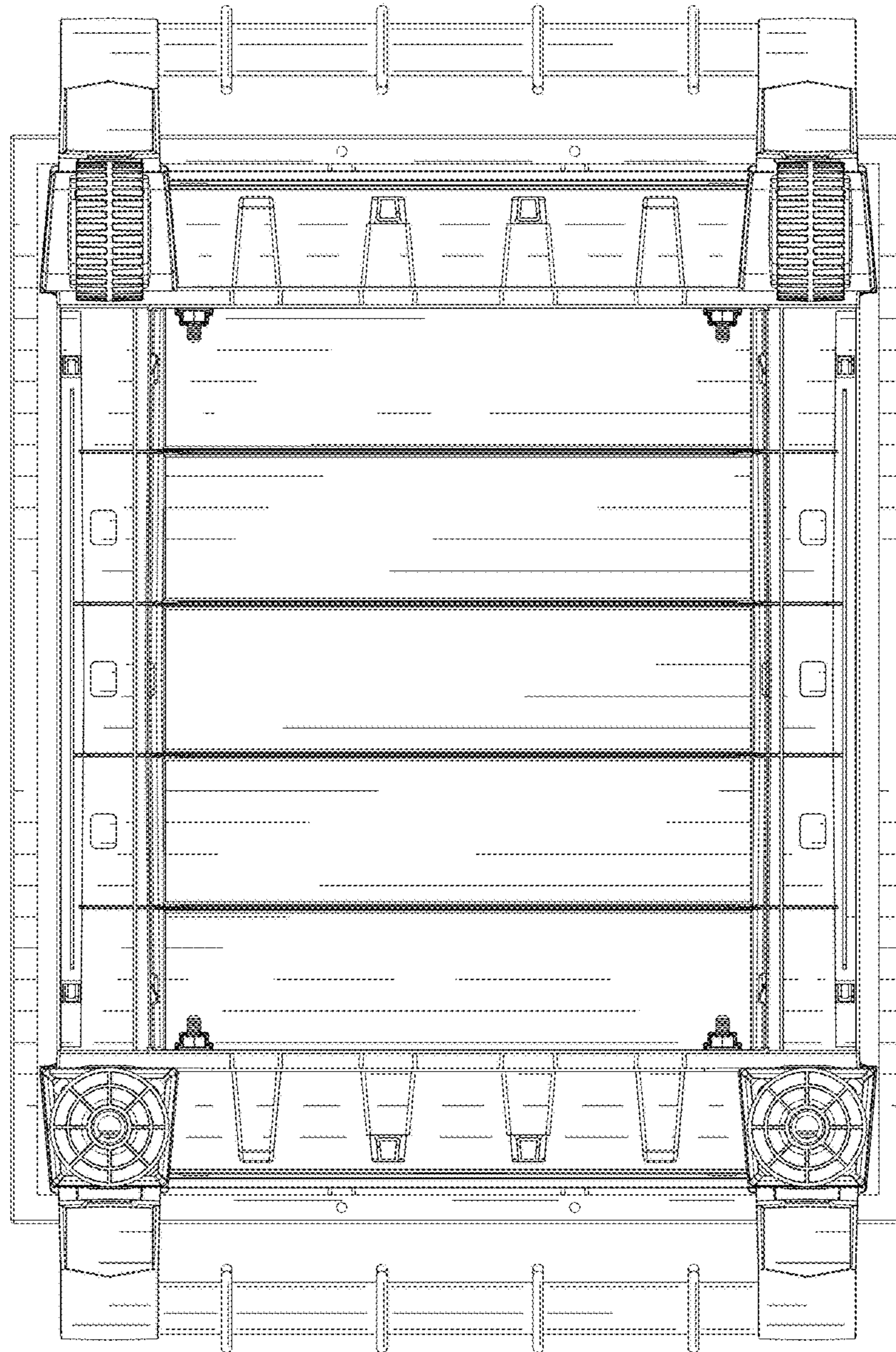


FIG. 7