



US00D773213S

(12) **United States Design Patent**
Looser

(10) **Patent No.:** **US D773,213 S**
(45) **Date of Patent:** **** Dec. 6, 2016**

- (54) **OFFICE TABLE**
- (71) Applicant: **moll Funktionsmobil GmbH**,
Gruibingen (DE)
- (72) Inventor: **Hans Looser**, Owen (DE)
- (73) Assignee: **MOLL FUNKTIONSMOBEL**
GMBH, Gruibingen (DE)
- (**) Term: **15 Years**
- (21) Appl. No.: **29/530,332**
- (22) Filed: **Jun. 16, 2015**
- (30) **Foreign Application Priority Data**
Dec. 19, 2014 (WO) 861445901
- (51) **LOC (10) Cl.** **06-03**
- (52) **U.S. Cl.**
USPC **D6/656.16**
- (58) **Field of Classification Search**
USPC D6/641, 651-653, 653.14, 653.17,
656,D6/656.12, 656.16, 656.17
CPC A47B 7/00; A47B 9/00; A47B 9/02;
A47B 9/04; A47B 9/20; A47B
13/00; A47B 13/20; A47B 13/003; A47B
13/08; A47B 13/088; A47B 21/00; A47B
21/03; A47B 21/06; A47B 17/00; A47B
17/065; A47B 27/00; A47B 3/00; A47B
3/0803; A47B 41/06
See application file for complete search history.

- (56) **References Cited**
U.S. PATENT DOCUMENTS
5,289,782 A * 3/1994 Rizzi A47B 9/02
108/146
5,337,657 A * 8/1994 Diffrient A47B 3/00
108/115

- 5,640,912 A * 6/1997 Diffrient A47B 21/06
108/23
- 5,931,103 A * 8/1999 Huang A47B 17/065
108/26
- 5,931,488 A * 8/1999 Graziano A47B 13/00
108/127
- 6,070,840 A * 6/2000 Kelley A47B 9/04
248/188.2
- 8,297,207 B2 * 10/2012 Liu A47B 3/0803
108/115
- 9,380,865 B2 * 7/2016 Tempas A47B 9/20
- 2009/0178596 A1 * 7/2009 Skiba A47B 13/00
108/102
- 2014/0123882 A1 * 5/2014 Kassanoff A47B 41/00
108/26
- 2016/0082309 A1 * 3/2016 Wu A47B 17/00
482/54

* cited by examiner

Primary Examiner — Mary Ann Calabrese
(74) *Attorney, Agent, or Firm* — Hoffman & Baron, LLP

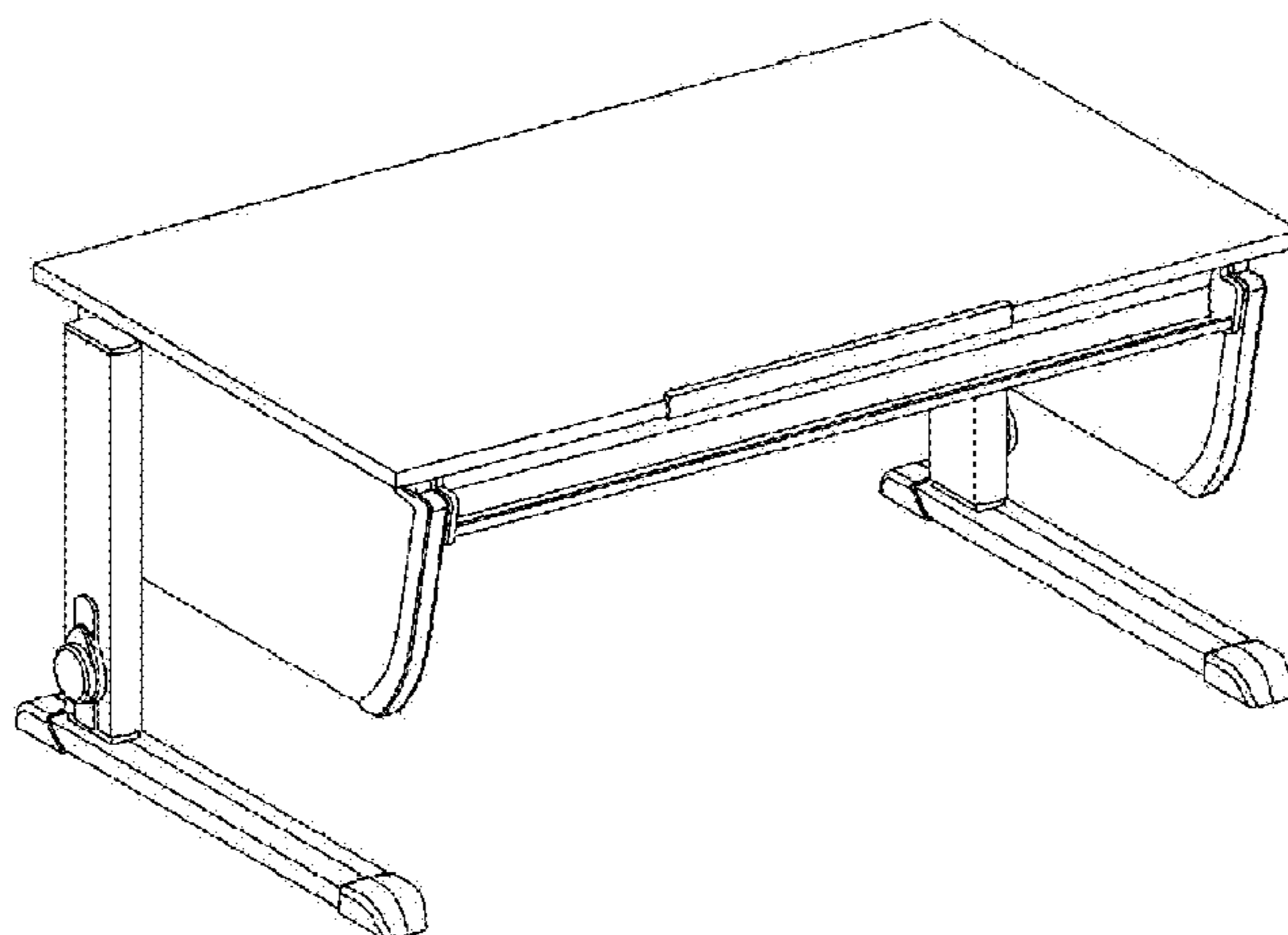
(57) **CLAIM**

The ornamental design for an office table, as shown and described.

DESCRIPTION

FIG. 1 is a top front perspective view of an office table showing my new design;
FIG. 2 is a front elevational view thereof;
FIG. 3 is a back elevational view thereof;
FIG. 4 is a right side elevational view thereof;
FIG. 5 is a left side elevational view thereof;
FIG. 6 is a top plan view thereof; and,
FIG. 7 is a bottom plan view thereof.

1 Claim, 7 Drawing Sheets



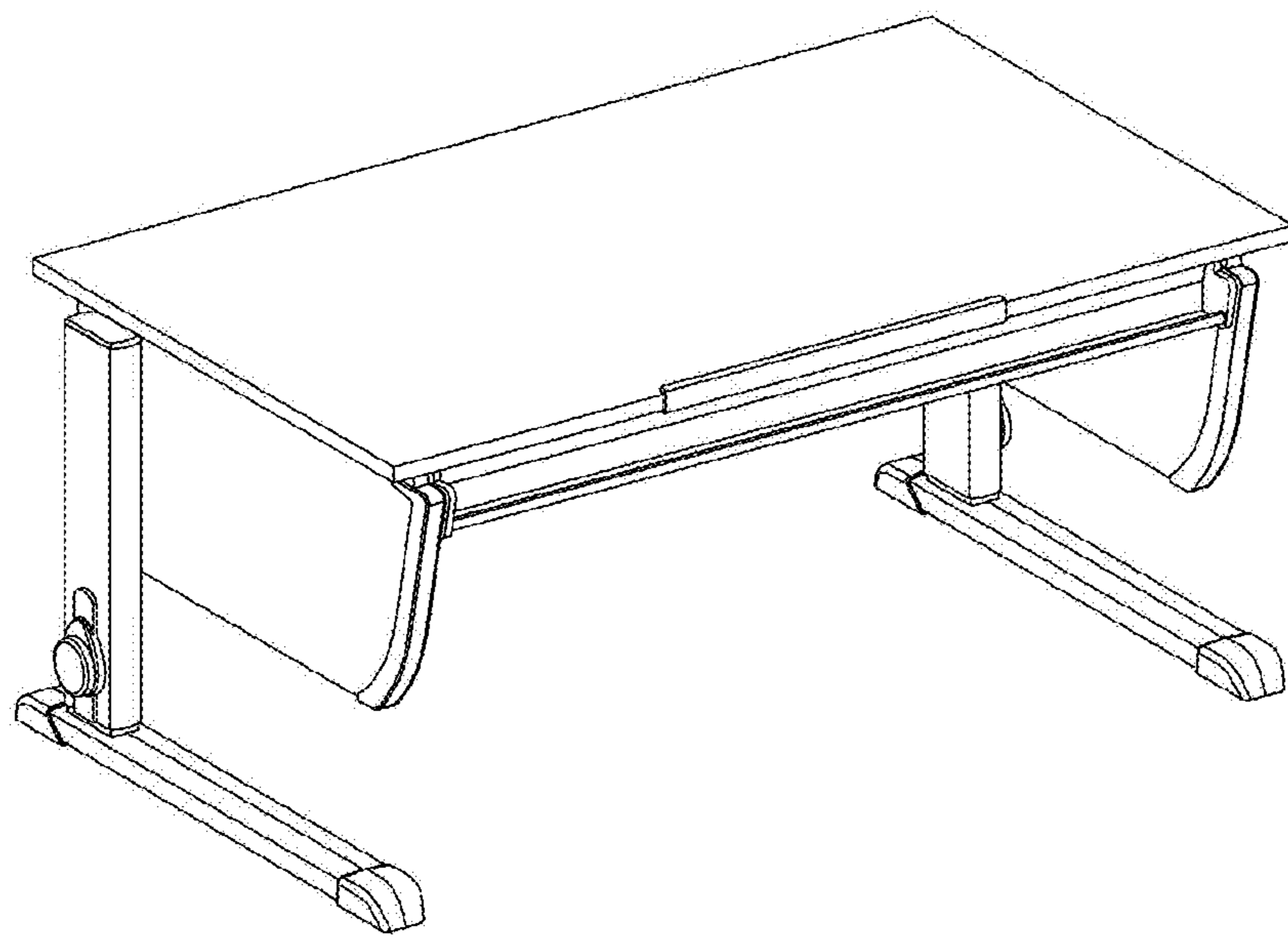


FIG. 1

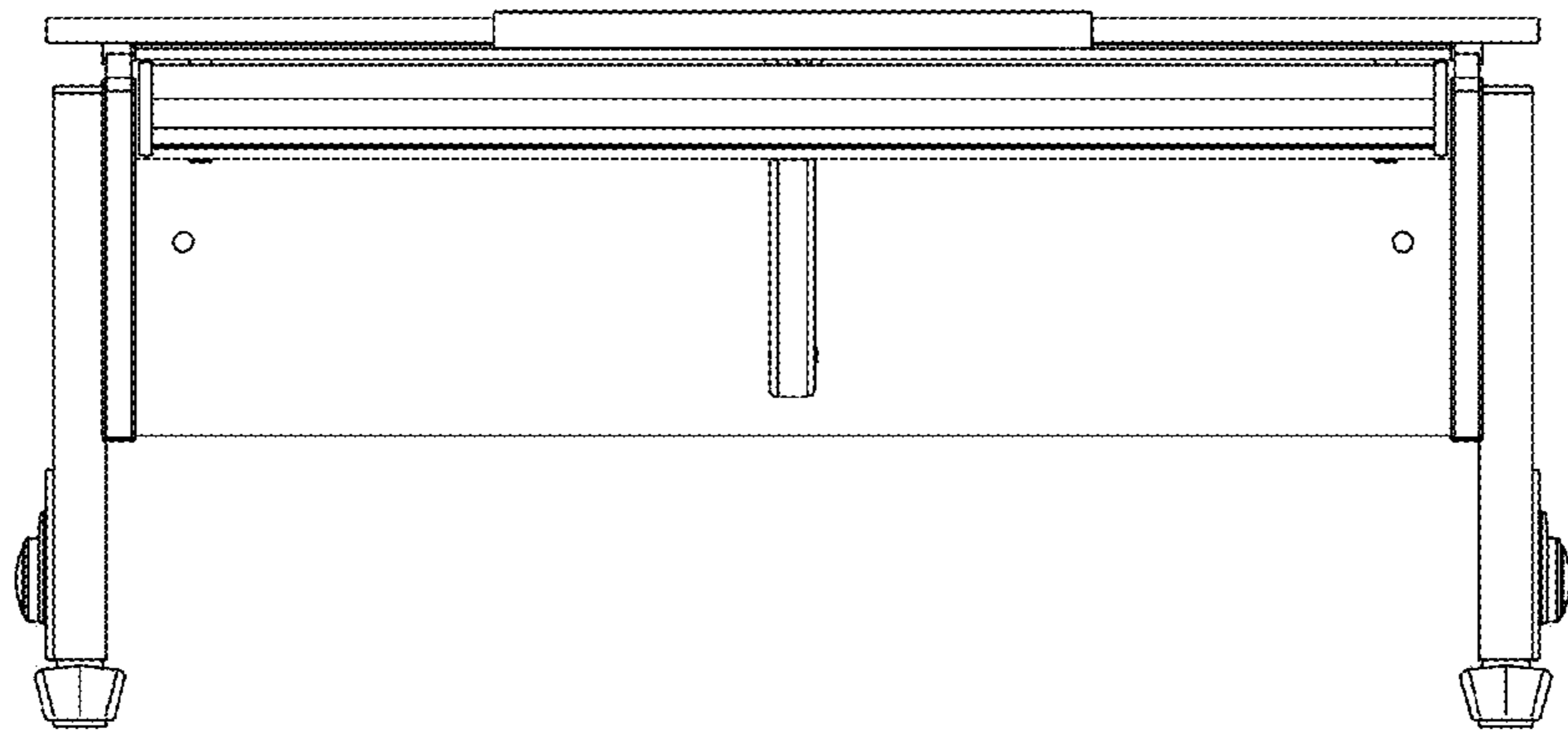


FIG. 2

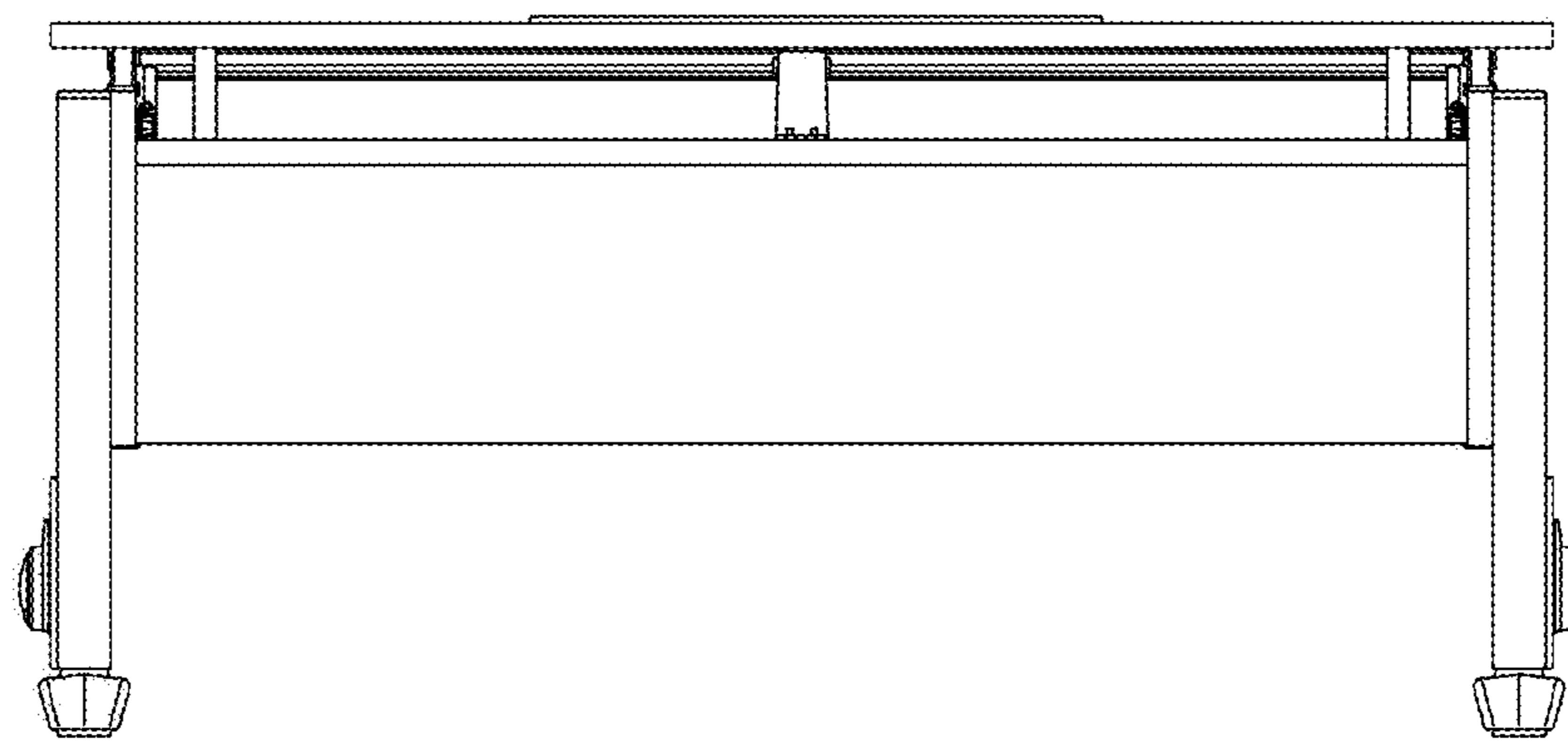


FIG. 3

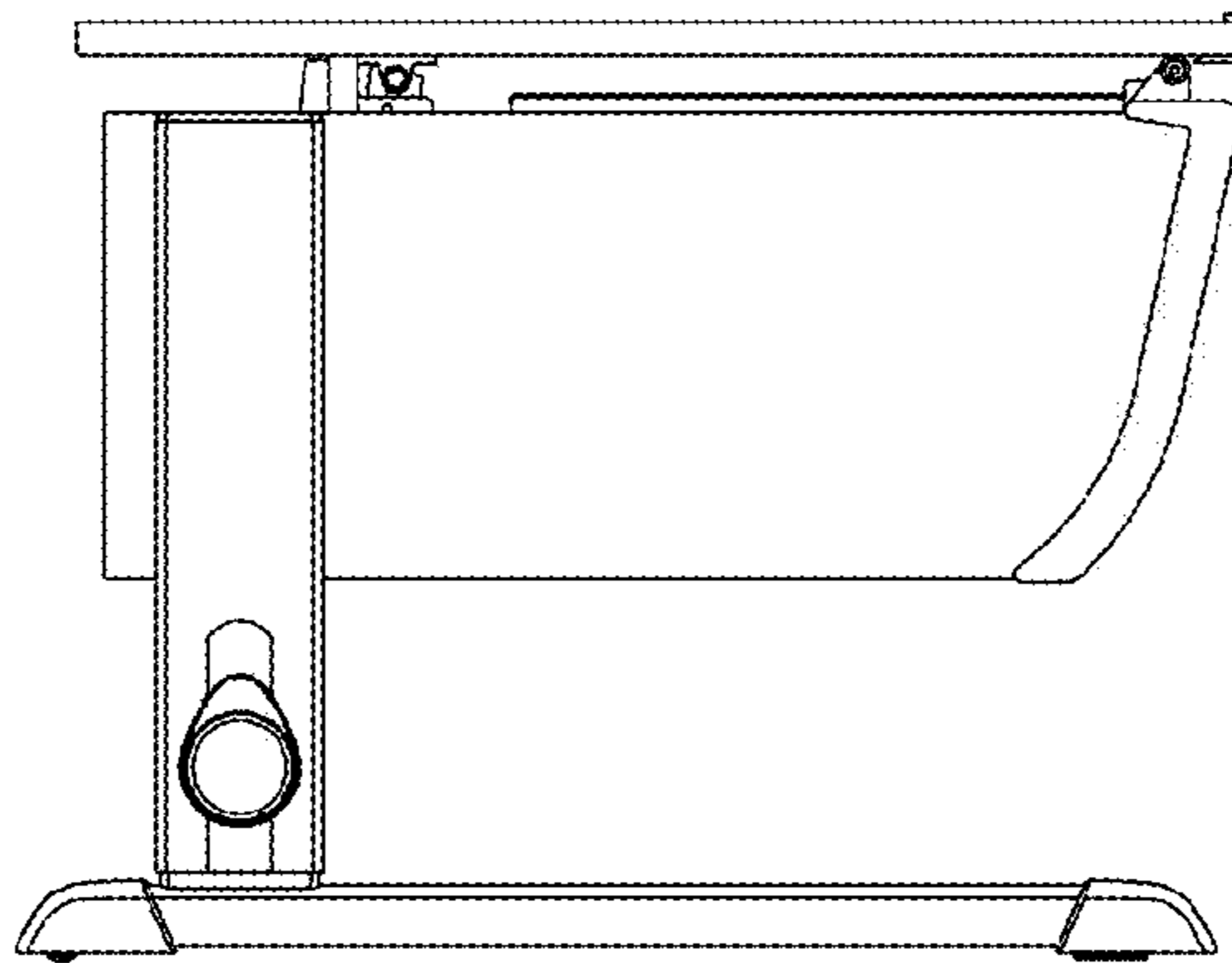


FIG. 4

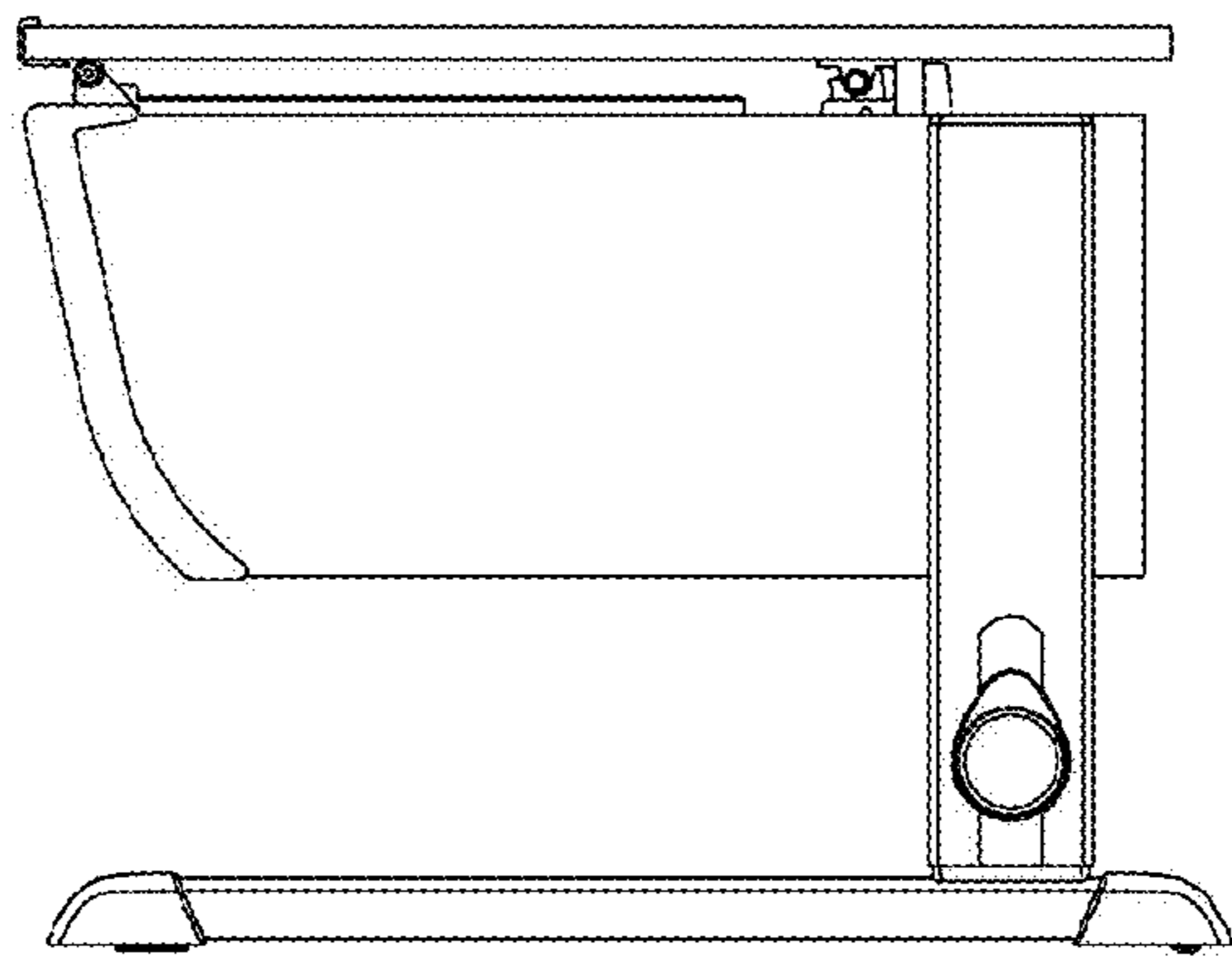


FIG. 5

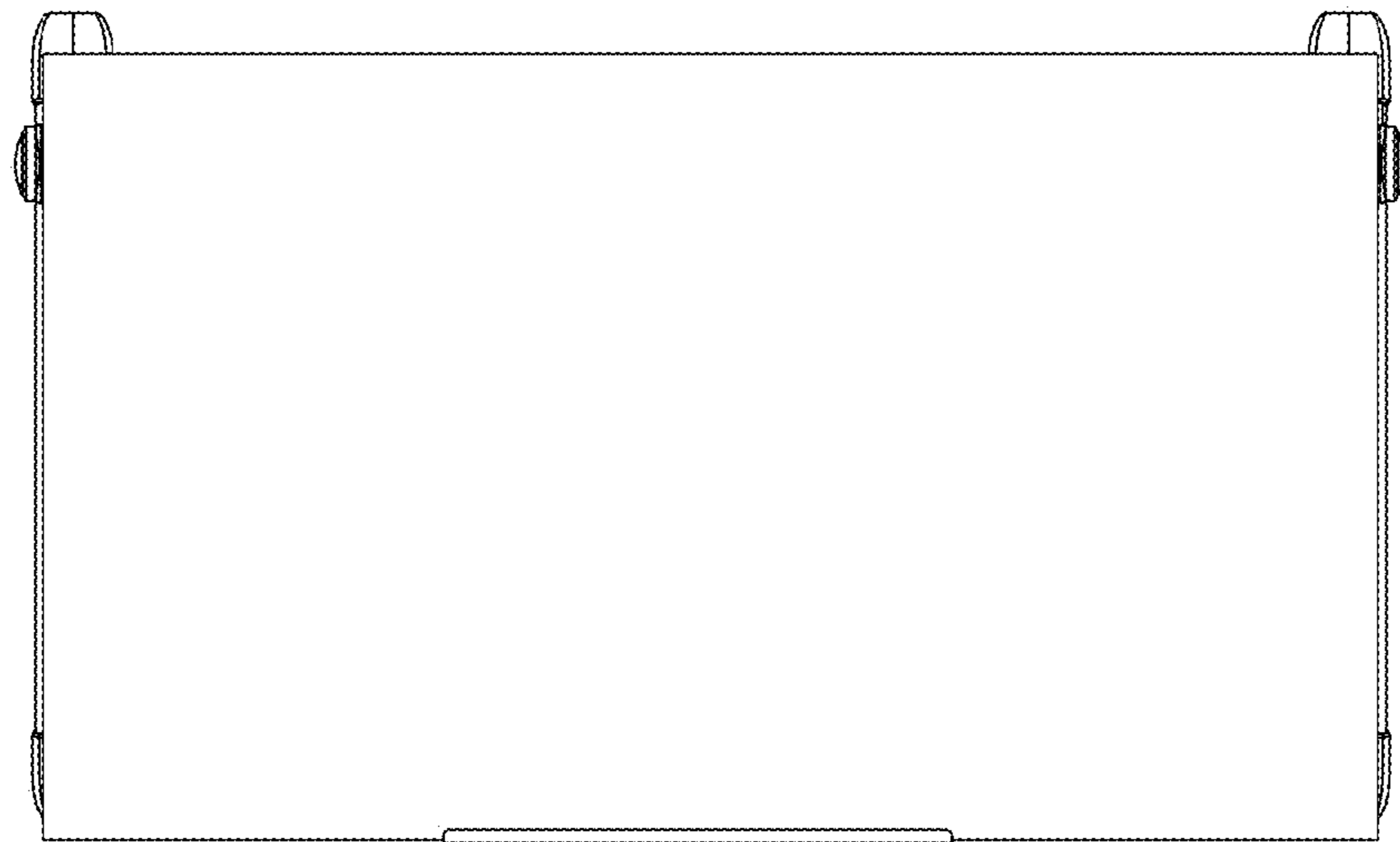


FIG. 6

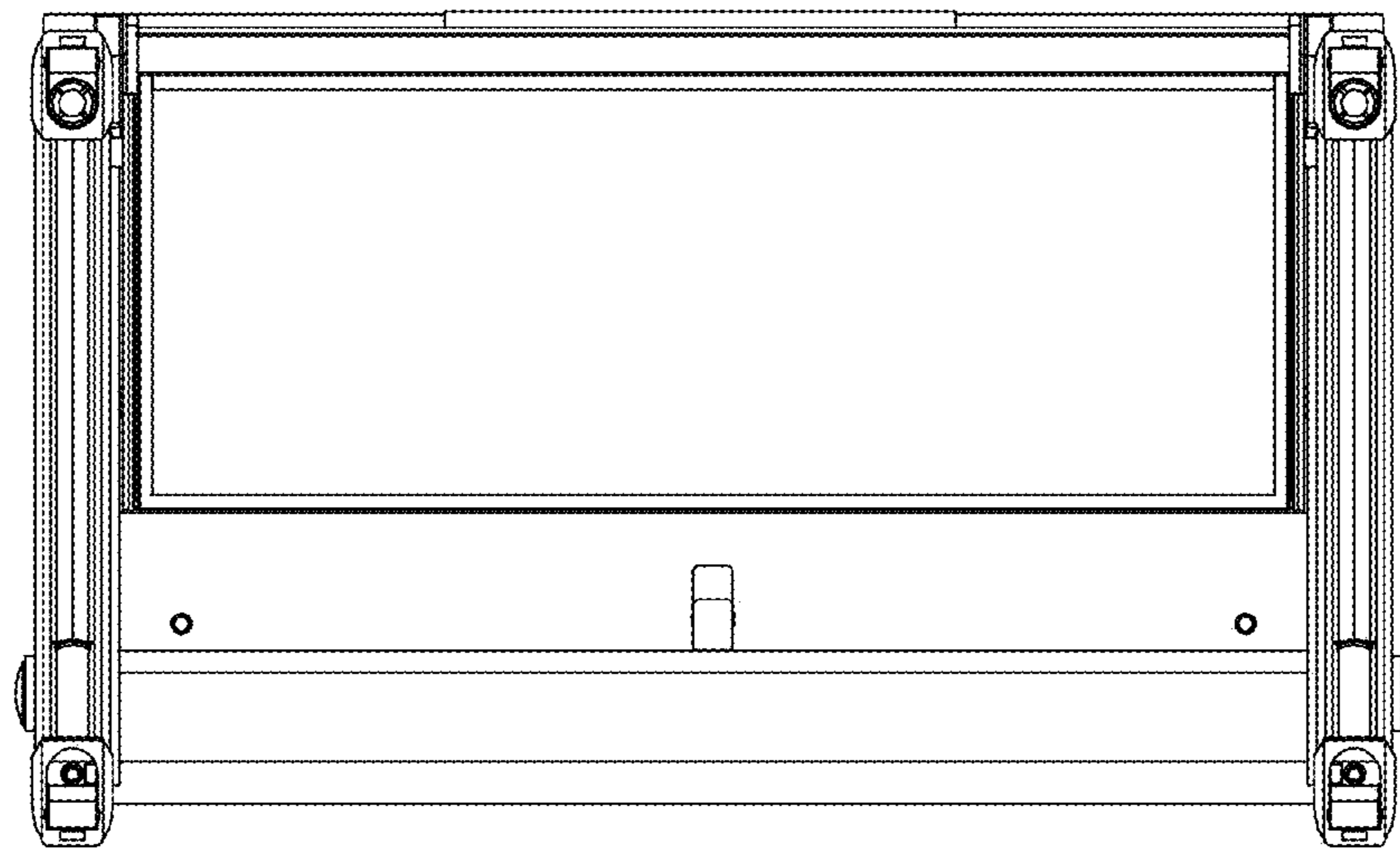


FIG. 7