



US00D773211S

(12) **United States Design Patent** (10) **Patent No.:** **US D773,211 S**
Davis et al. (45) **Date of Patent:** **** Dec. 6, 2016**

(54) **INFANT TOWEL DRYING MAT**
(71) Applicants: **Karin Lea Davis**, Olympia, WA (US);
Regis U. Vu Quoc, Olympia, WA (US)
(72) Inventors: **Karin Lea Davis**, Olympia, WA (US);
Regis U. Vu Quoc, Olympia, WA (US)
(**) Term: **14 Years**

(21) Appl. No.: **29/524,103**

(22) Filed: **Apr. 16, 2015**

(51) **LOC (10) Cl.** **06-09**

(52) **U.S. Cl.**
USPC **D6/601; D6/608**

(58) **Field of Classification Search**
USPC D6/349, 355, 375, 388, 512, 563, 564,
D6/595, 596, 601, 604, 611, 707, 715, 716,
D6/716.1; D24/100-104, 183-185, 234;
D21/803, 804, 805, 809; D28/4, 9
CPC A47G 9/10; A47G 9/1009; A47G 9/1018;
A47G 9/1027; A47G 9/1036; A47G 9/1045;
A47G 9/1063; A47G 9/1072; A47G 9/1081;
A47G 9/109; A47B 11/00; A47B 13/08;
A47B 13/10; A47C 7/021; A47C 27/00;
A47C 7/18

See application file for complete search history.

(56) **References Cited**

U.S. PATENT DOCUMENTS

D182,647 S *	4/1958	Cox	297/452.13
3,323,151 A *	6/1967	Lerman	A47C 4/52
			297/183.5
3,659,297 A *	5/1972	Schutz	A47D 15/008
			108/90
D258,187 S *	2/1981	Robbins	D6/596
D306,543 S *	3/1990	Pestuglicci	5/653
4,937,897 A *	7/1990	Barnabie	A47K 3/002
			297/187
D312,741 S *	12/1990	Treadwell	D6/601
5,288,132 A *	2/1994	Vaughn	A47C 7/021
			297/452.22
5,375,869 A *	12/1994	Hsiao	A47D 1/02
			280/31

5,386,603 A *	2/1995	Drust	A47G 9/062
			5/417
6,230,352 B1 *	5/2001	Kasem	A47D 15/001
			5/497
D533,667 S *	12/2006	Roleder	D24/183
D674,642 S *	1/2013	Richardson	D6/601
D683,031 S *	5/2013	Du	D24/183
8,480,114 B1 *	7/2013	Grantz	A47D 5/006
			280/642
8,578,526 B1 *	11/2013	Rosso	A47C 1/146
			5/417
2013/0326805 A1 *	12/2013	Skrzyniarz	A47K 3/002
			4/572.1
2015/0313377 A1 *	11/2015	Davis	A01K 13/00
			5/655

* cited by examiner

Primary Examiner — Mary Ann Calabrese

Assistant Examiner — Jennifer L Rempfer

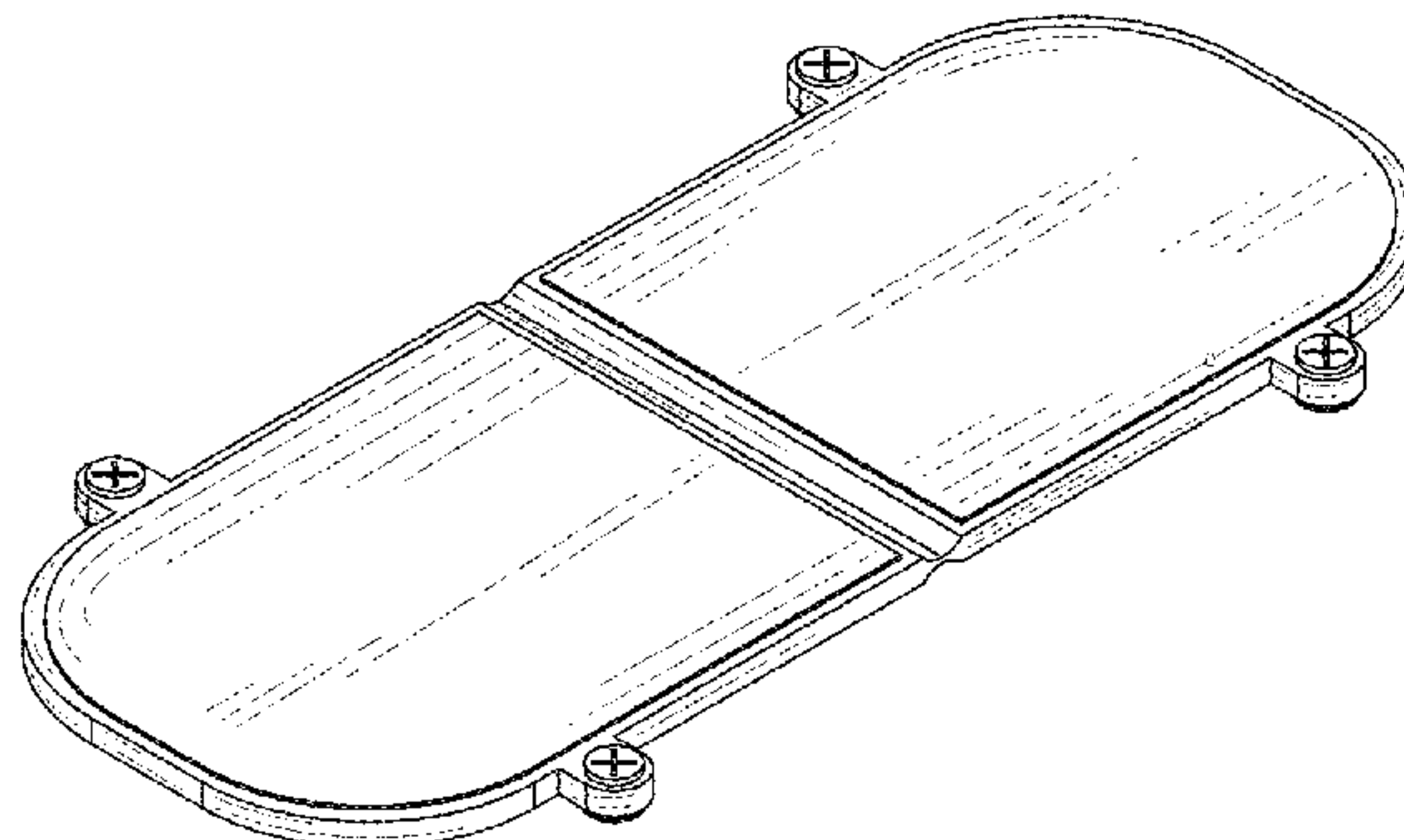
(57) **CLAIM**

The ornamental design for an infant towel drying mat, as shown and described.

DESCRIPTION

FIG. 1 is a perspective view of an infant towel drying rack in an unfolded position;
 FIG. 2 is a front elevational view thereof, the rear being a mirror image;
 FIG. 3 is a right side elevational view thereof, the left side being a mirror image;
 FIG. 4 is a top plan view thereof; and
 FIG. 5 is a bottom plan view thereof.
 FIG. 6 is a perspective view of an infant towel drying rack in a partially folded position;
 FIG. 7 is a front elevational view thereof;
 FIG. 8 is a rear elevational view thereof;
 FIG. 9 is a right side elevational view thereof, the left side being a mirror image;
 FIG. 10 is a top plan view thereof; and
 FIG. 11 is a bottom plan view thereof.
 FIG. 12 is a perspective view of an infant towel drying rack in a fully folded position;
 FIG. 13 is a front elevational view thereof;
 FIG. 14 is a rear elevational view thereof;
 FIG. 15 is a right side elevational view thereof, the left side being a mirror image; and,
 FIG. 16 is a top plan view thereof, the bottom being a mirror image.

1 Claim, 16 Drawing Sheets



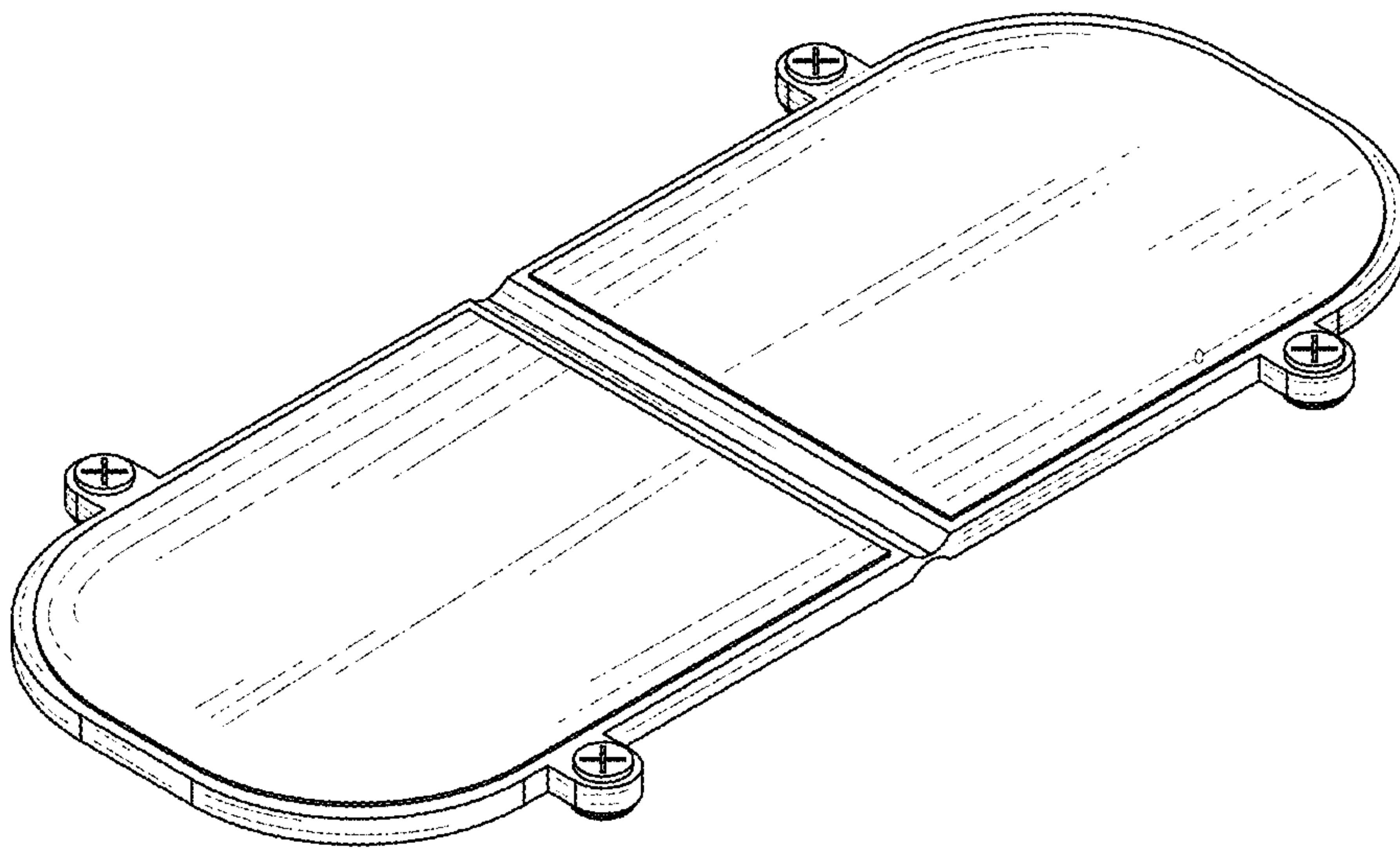


FIG. 1

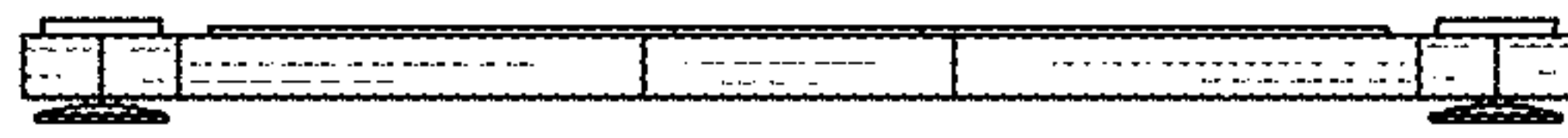


FIG. 2



FIG. 3

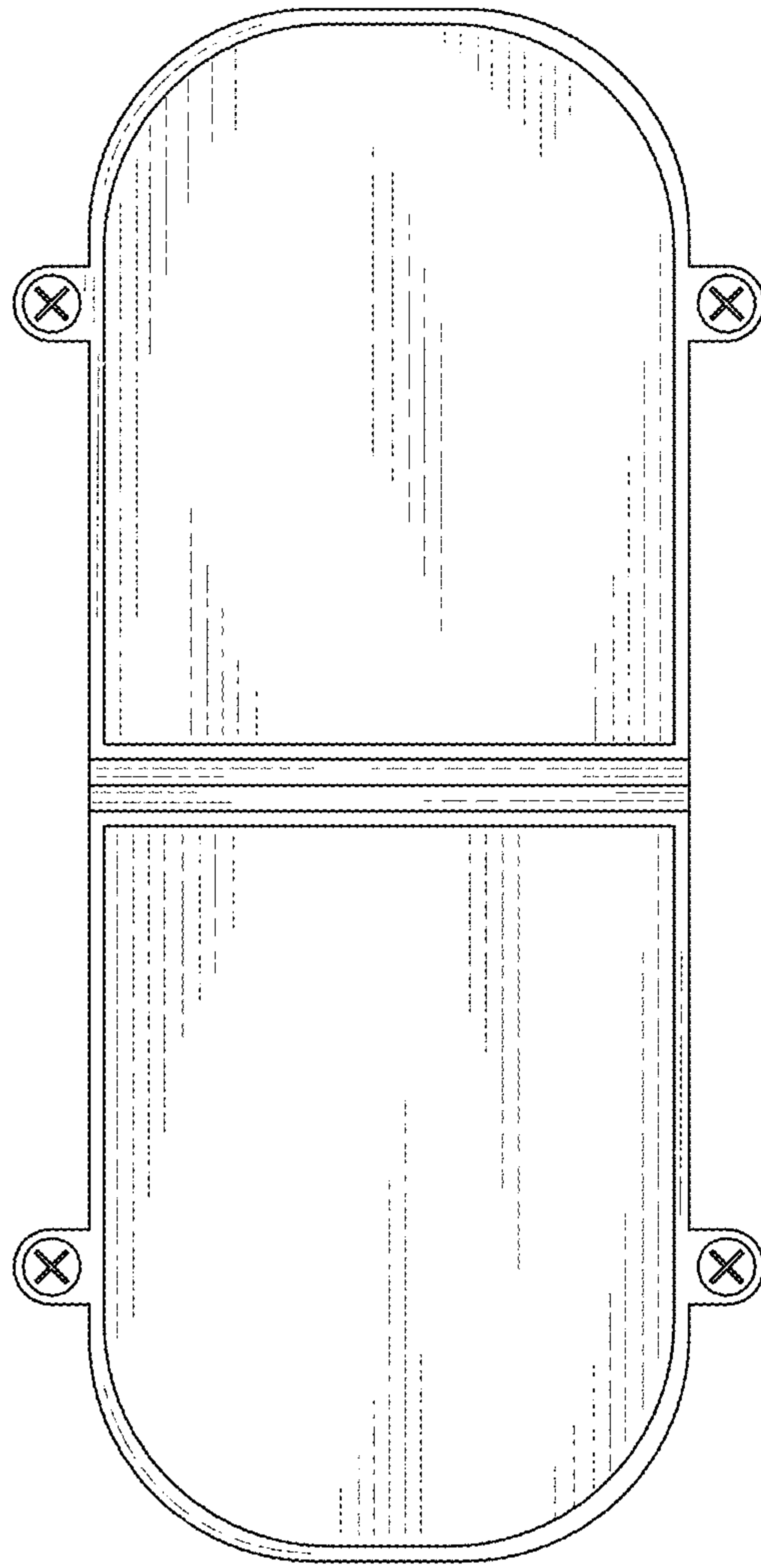


FIG. 4

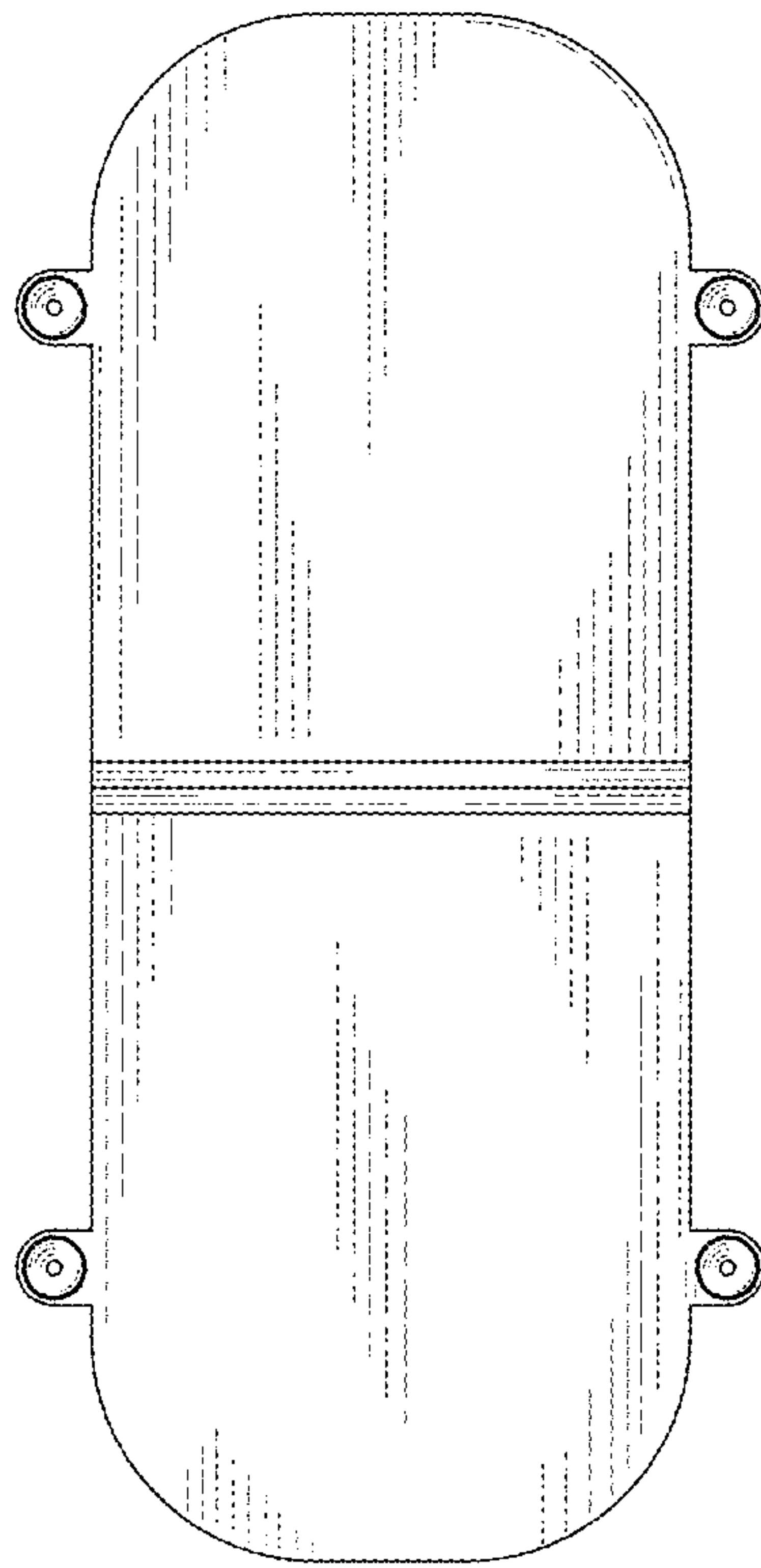


FIG. 5

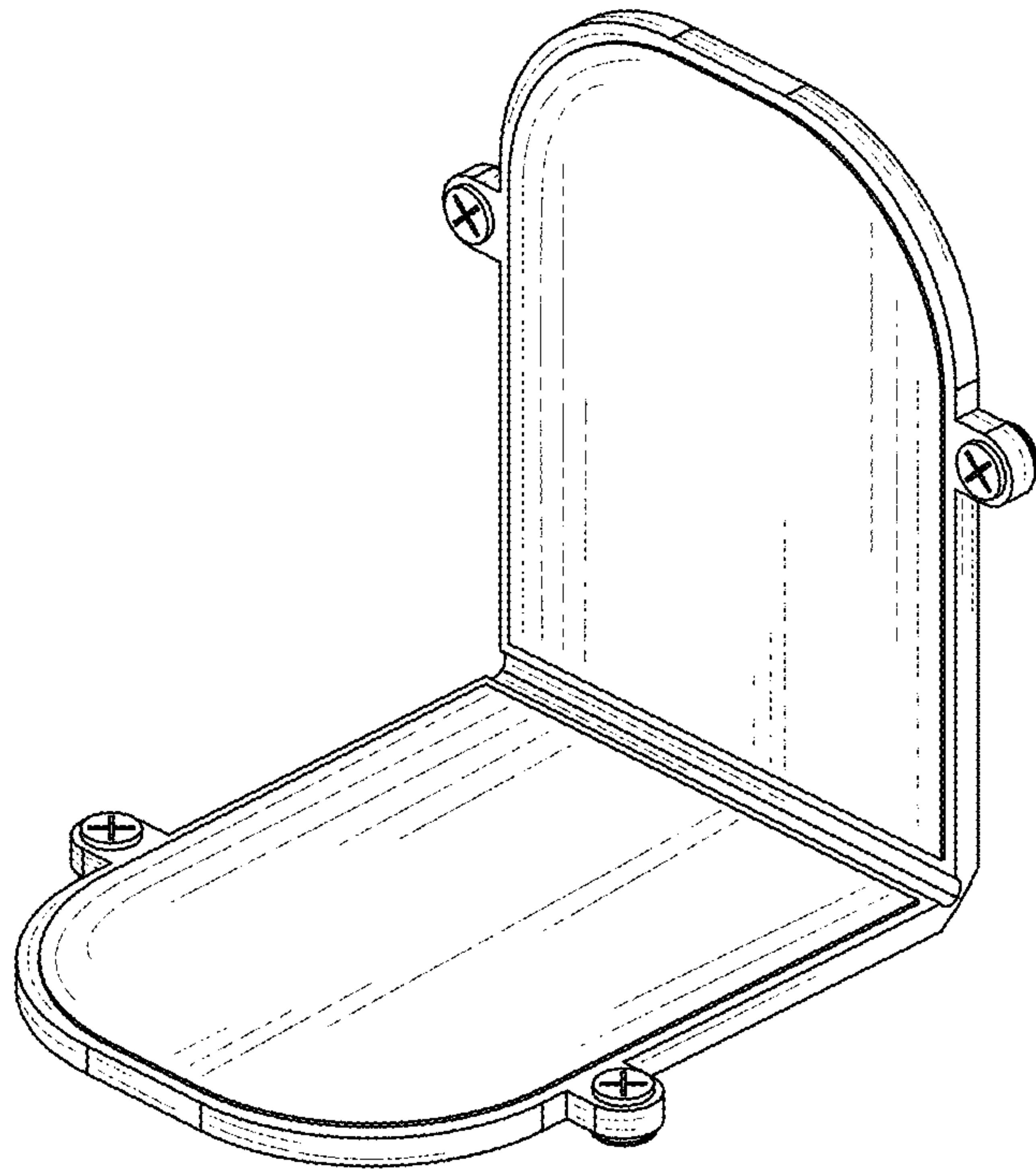


FIG. 6

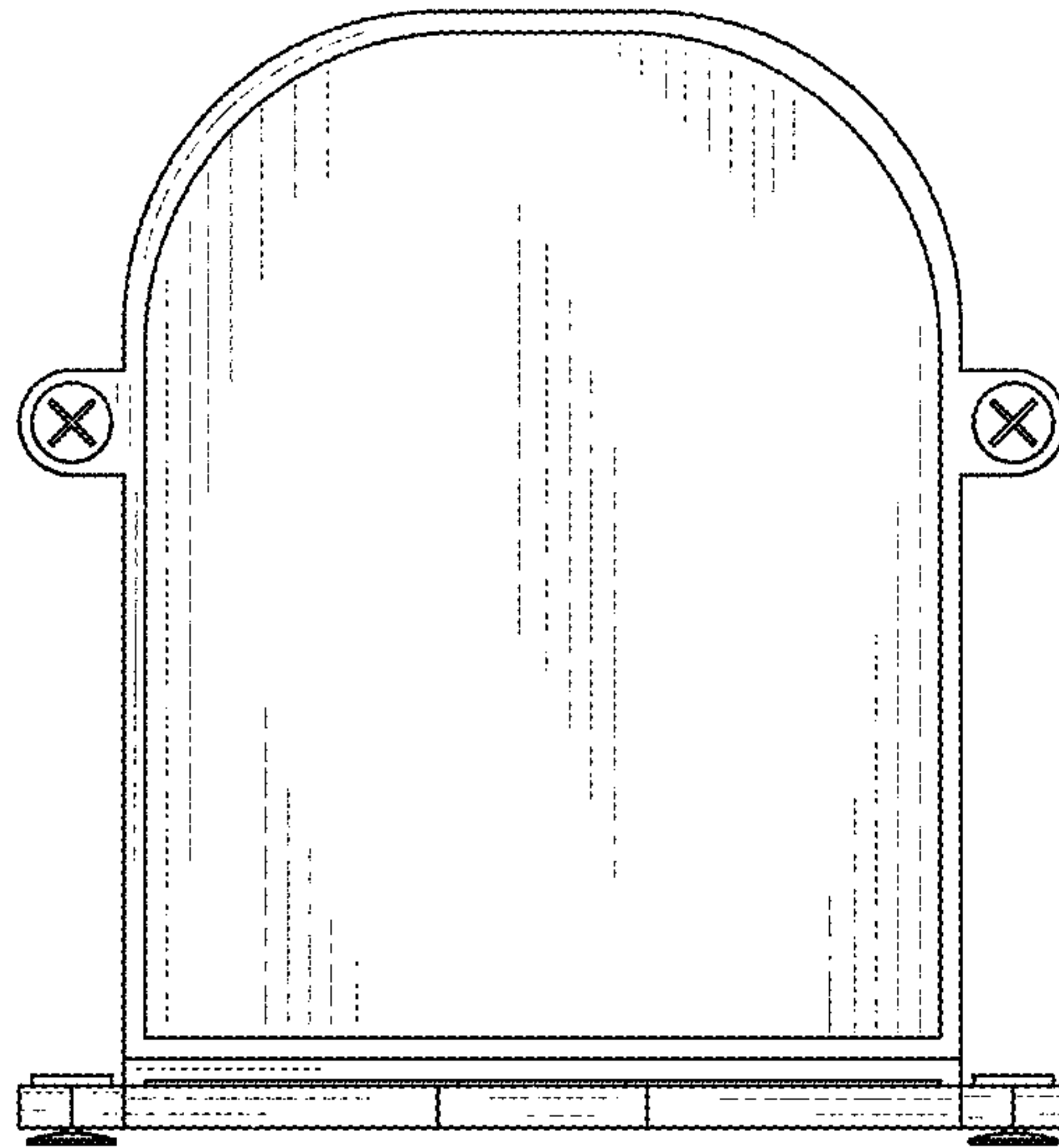


FIG. 7

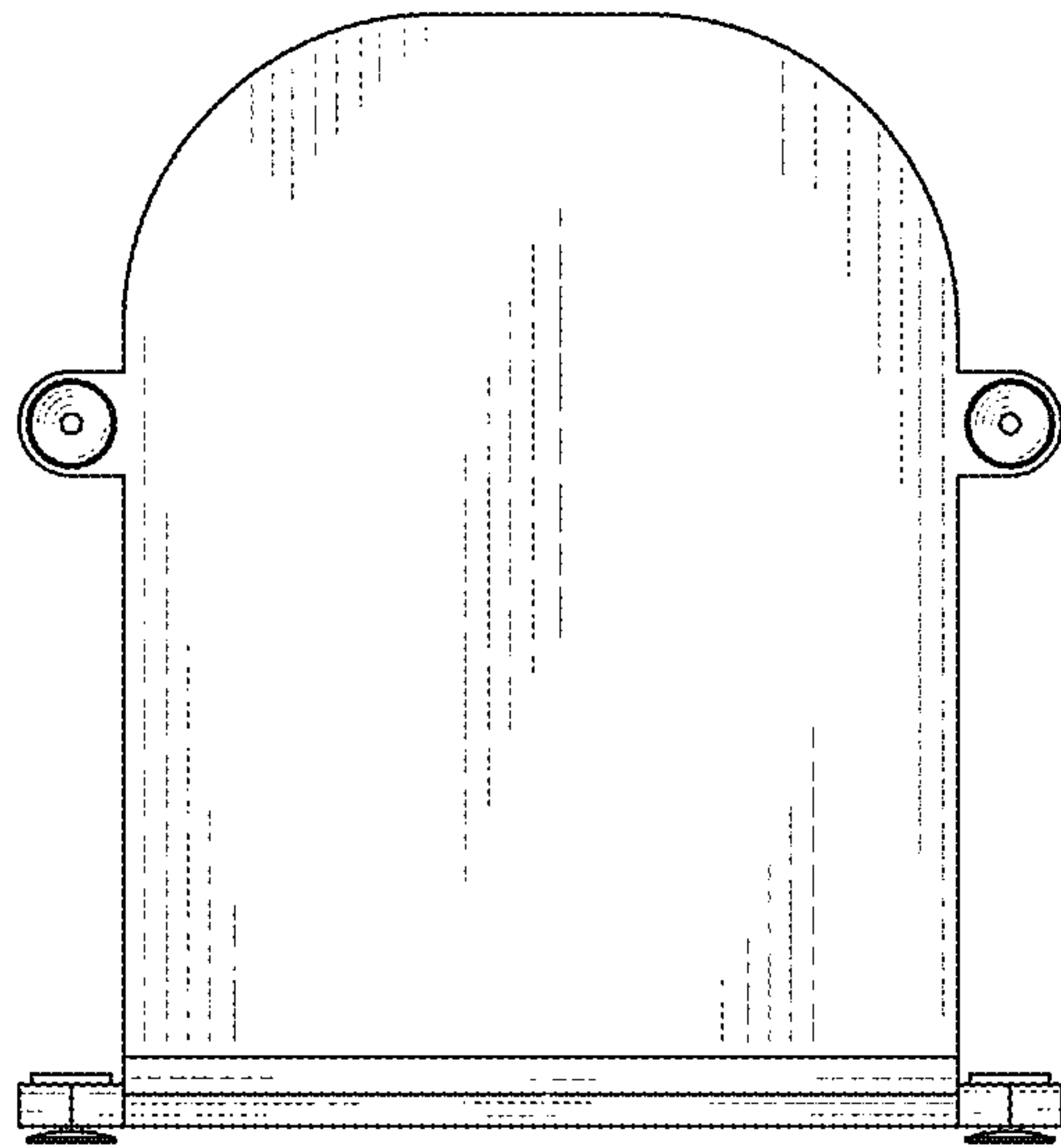


FIG. 8

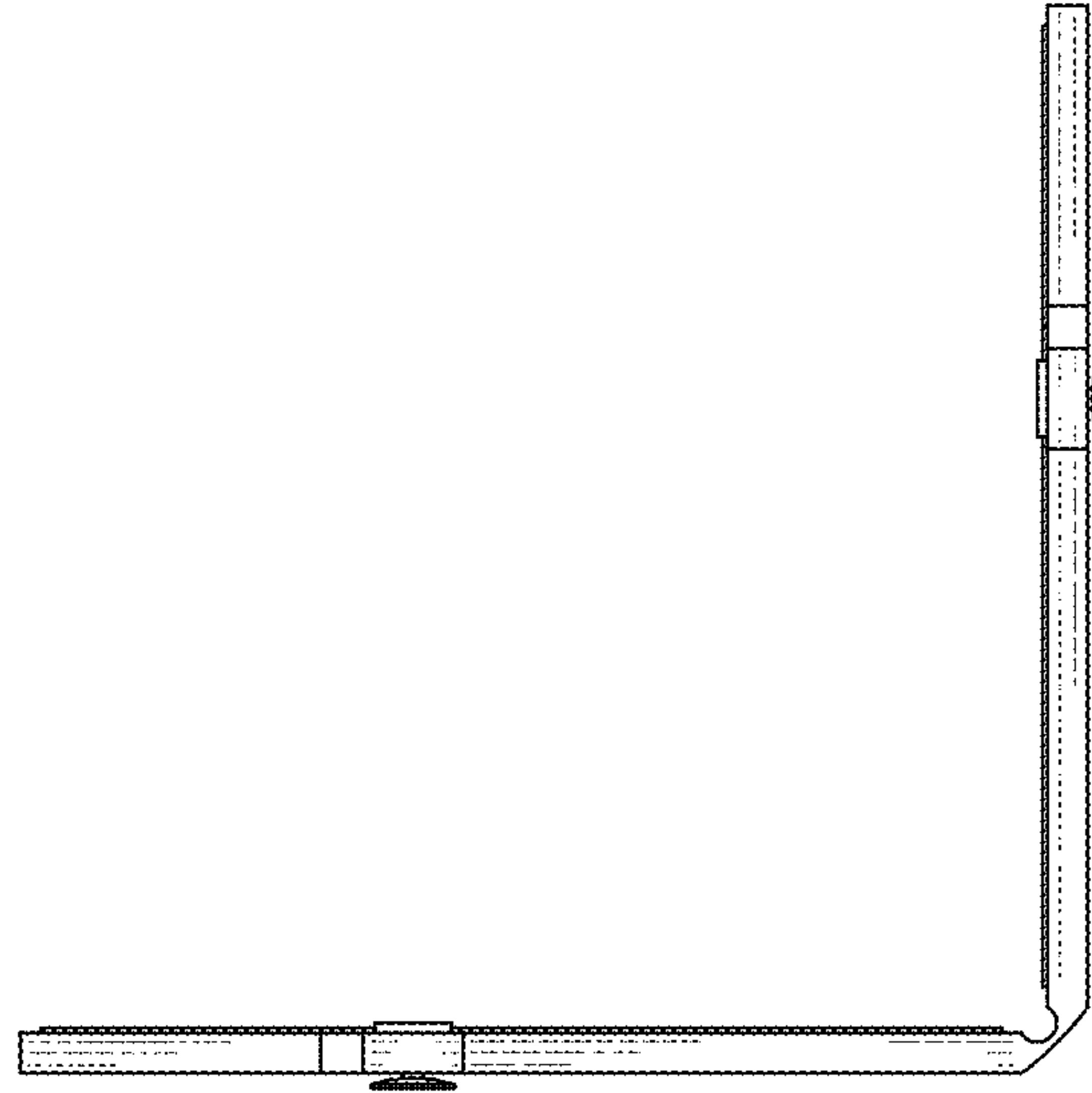


FIG. 9

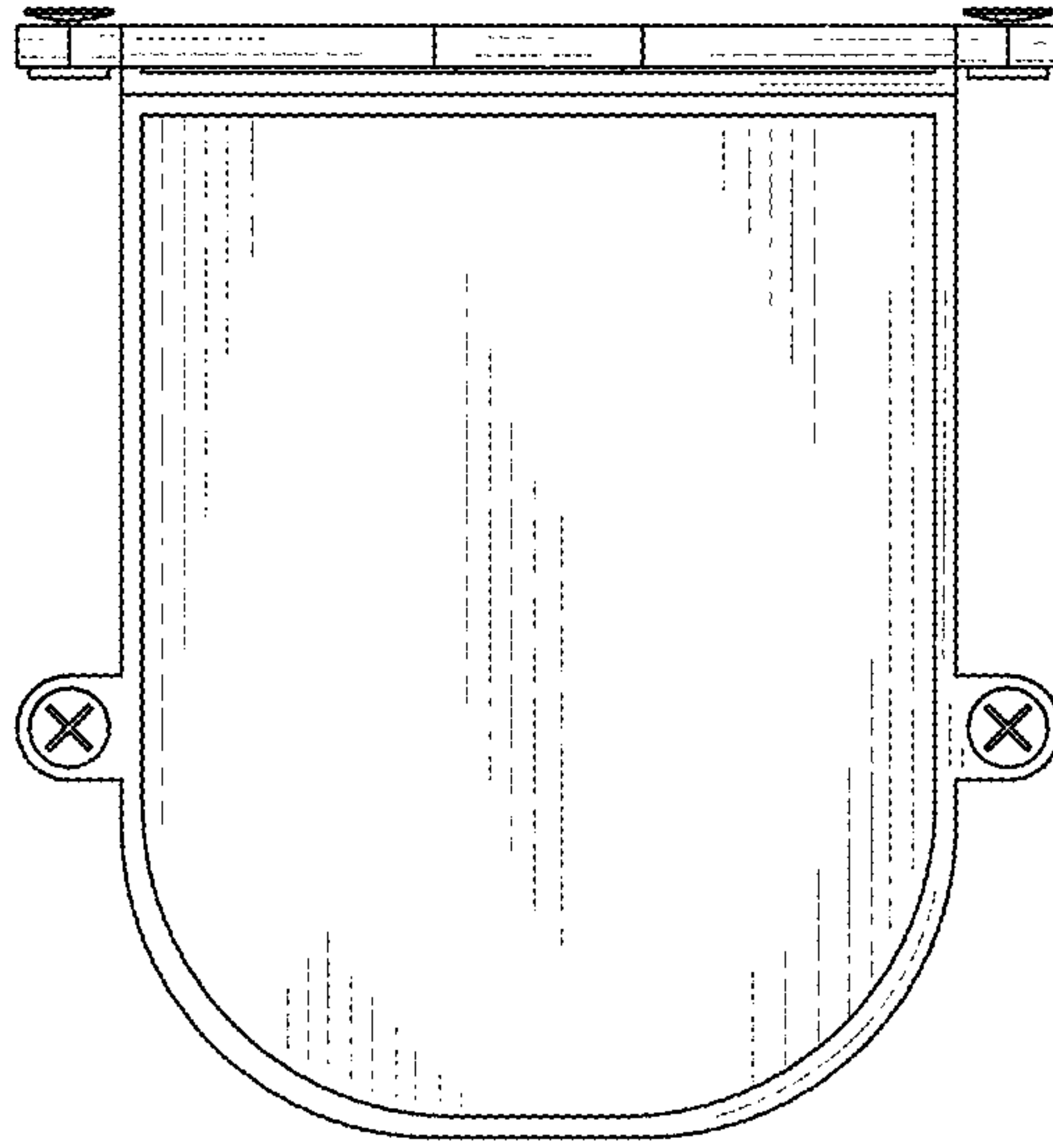


FIG. 10

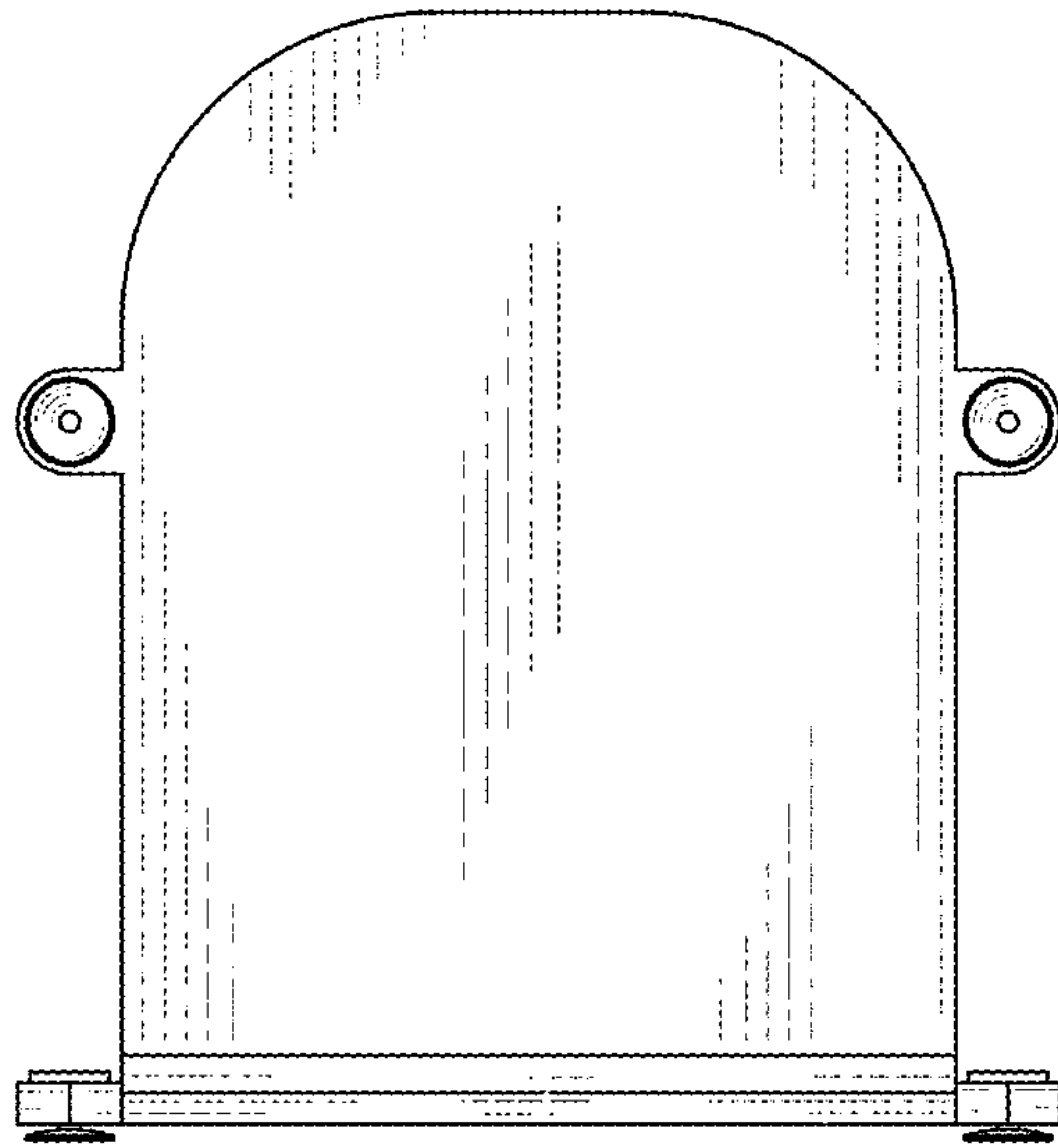


FIG. 11

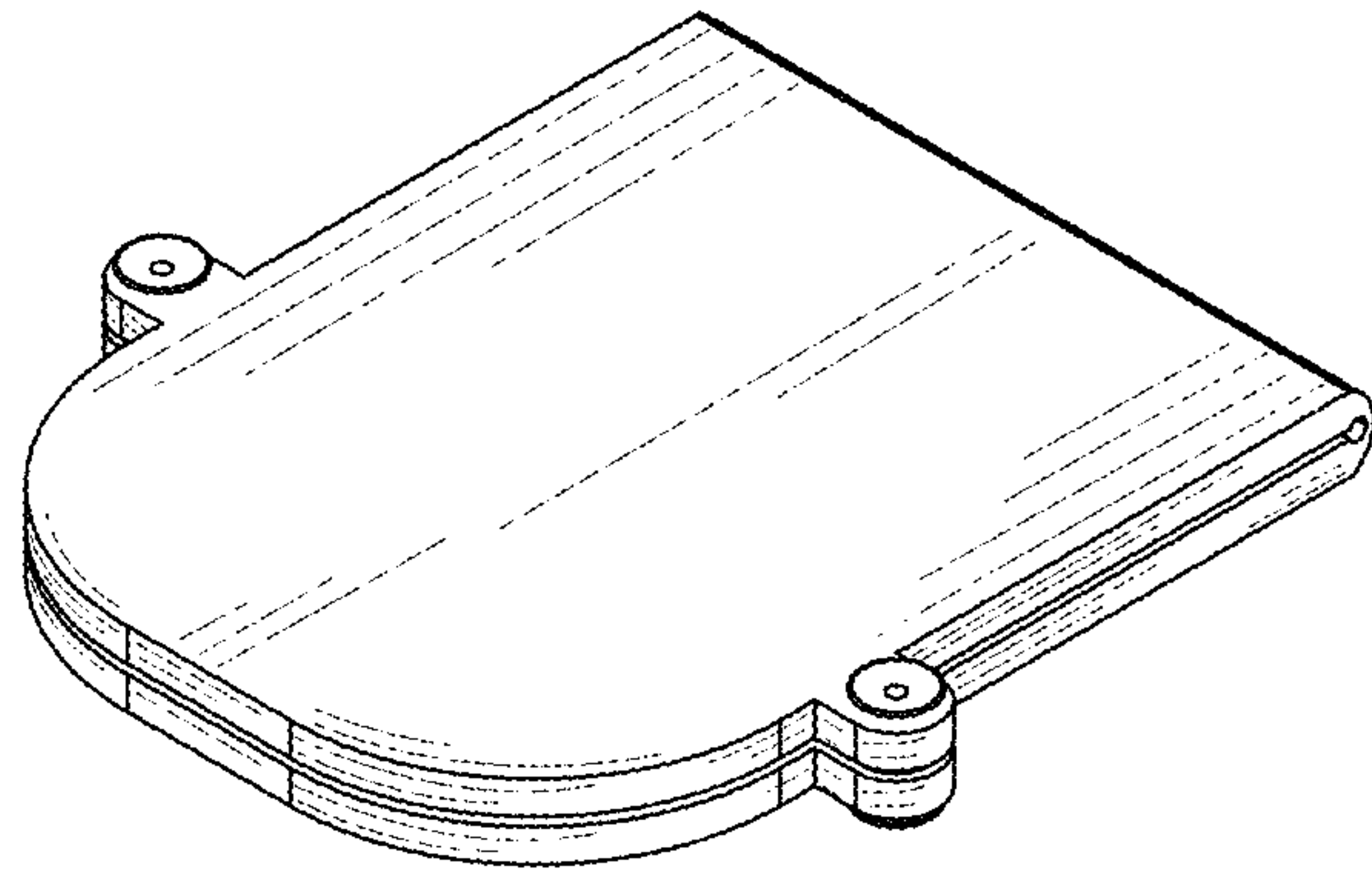


FIG. 12

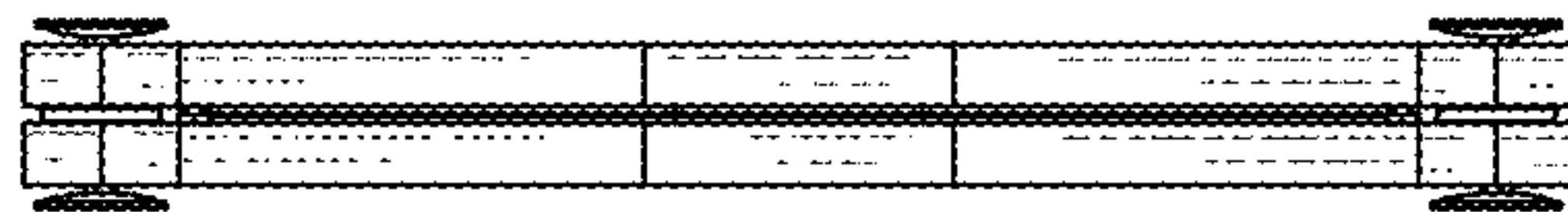


FIG. 13



FIG. 14

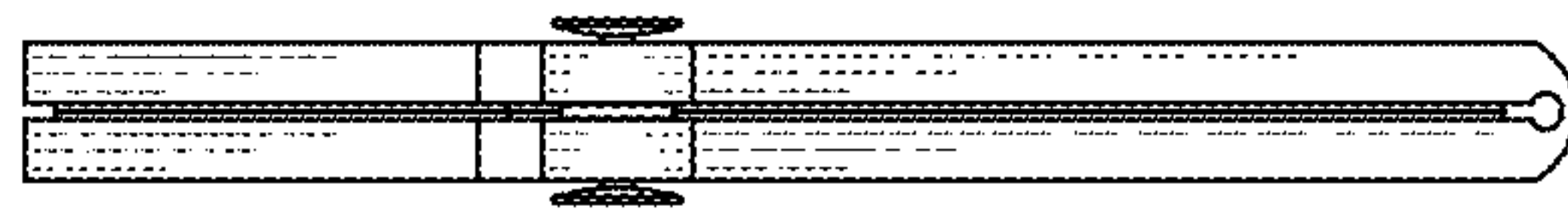


FIG. 15

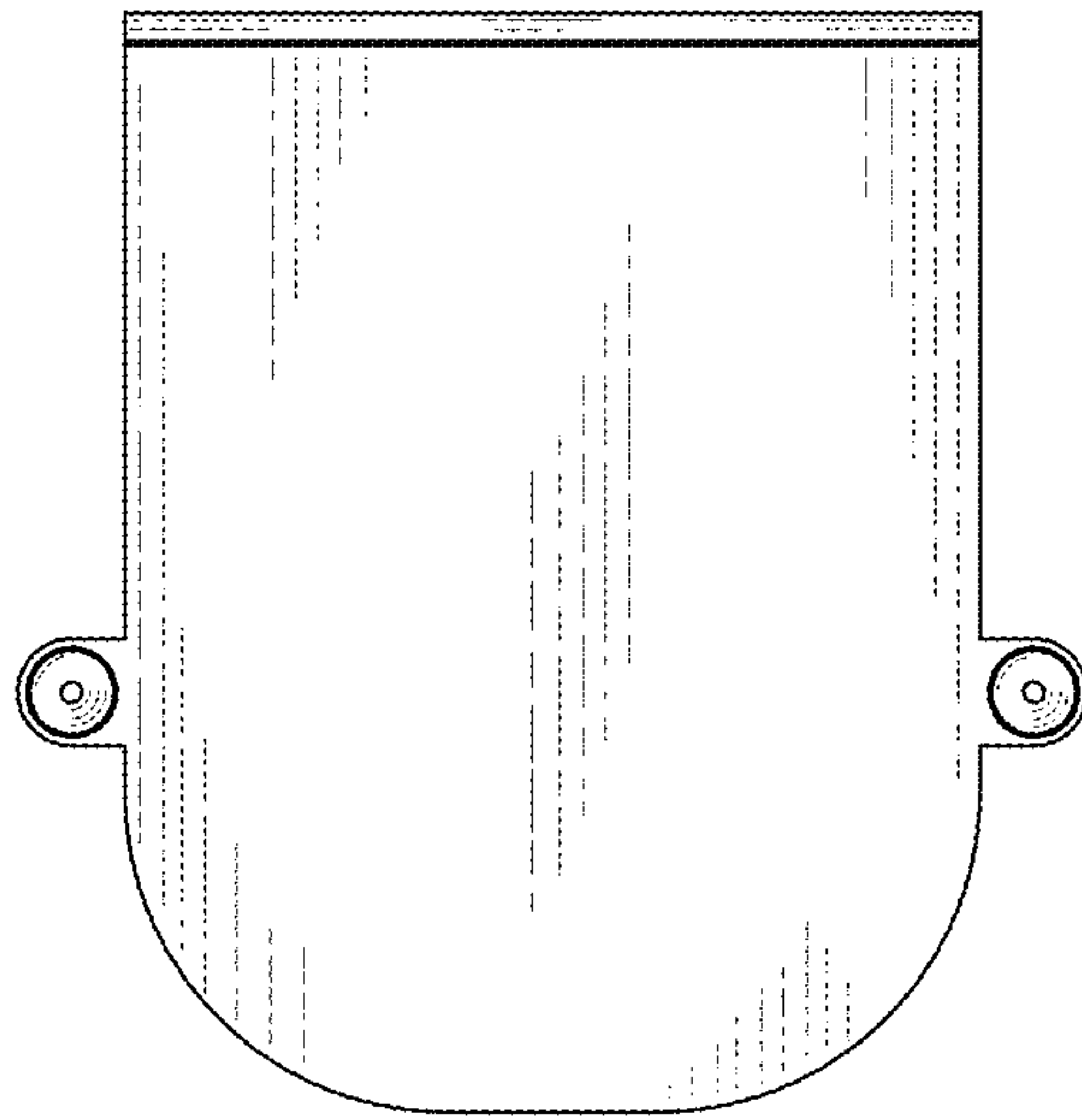


FIG. 16