



US00D773209S

(12) **United States Design Patent**
Jaigobin

(10) **Patent No.:** **US D773,209 S**
(45) **Date of Patent:** **** Dec. 6, 2016**

- (54) **INTERLOCKING BEDDING**
- (71) Applicant: **Jagdeo Jaigobin**, Toronto (CA)
- (72) Inventor: **Jagdeo Jaigobin**, Toronto (CA)
- (**) Term: **15 Years**
- (21) Appl. No.: **29/545,288**
- (22) Filed: **Nov. 11, 2015**
- (51) **LOC (10) Cl.** **06-09**
- (52) **U.S. Cl.**
USPC **D6/596; D6/602**
- (58) **Field of Classification Search**
USPC D6/582–583, 587–592, 595–609,
D6/617–622; D21/803–809; D24/183
CPC A47G 9/00; A47G 2009/001; A47G
2009/002; A47G 2009/003; A47G 9/10;
A47G 9/1009; A47G 2009/1018; A47G
9/1045; A47G 9/1081; A47G 9/109; A47G
2009/005; A47G 2009/006; A47G 9/02;
A47G 9/0207; A47G 9/0215; A47G 9/0223;
A47G 9/023; A47G 9/0238; A47G 9/0246;
A47G 9/0253; A47G 9/0261; A47G
2009/0269; A47G 11/002; A47G 21/165
See application file for complete search history.

- 6,101,653 A * 8/2000 England A47C 27/001
5/727
- 6,367,083 B1 * 4/2002 November A47G 9/064
2/69.5
- 6,715,173 B2 * 4/2004 Barman A47C 21/026
5/411
- 7,552,489 B2 6/2009 Bell et al.
- 7,962,978 B2 * 6/2011 Chuang A47G 9/0261
5/482
- 8,032,959 B2 * 10/2011 Rowson A47G 9/02
5/488
- 8,214,947 B1 * 7/2012 Helton A47G 9/023
5/482
- 8,276,224 B1 10/2012 von Yurt et al.
- 9,265,368 B2 * 2/2016 Blethen A47G 9/0238
- 9,357,863 B1 * 6/2016 Goenka A47C 31/105
- 2009/0044333 A1 2/2009 Colleran et al.
- 2012/0324647 A1 12/2012 McKee
- 2015/0143635 A1 * 5/2015 Clark A47G 9/08
5/636

* cited by examiner

Primary Examiner — Mary Ann Calabrese
Assistant Examiner — Jennifer L Rempfer
(74) *Attorney, Agent, or Firm* — Robert C. Montgomery;
Montgomery Patent & Design, LP.

(57) **CLAIM**
The ornamental design for interlocking bedding, as shown
and described.

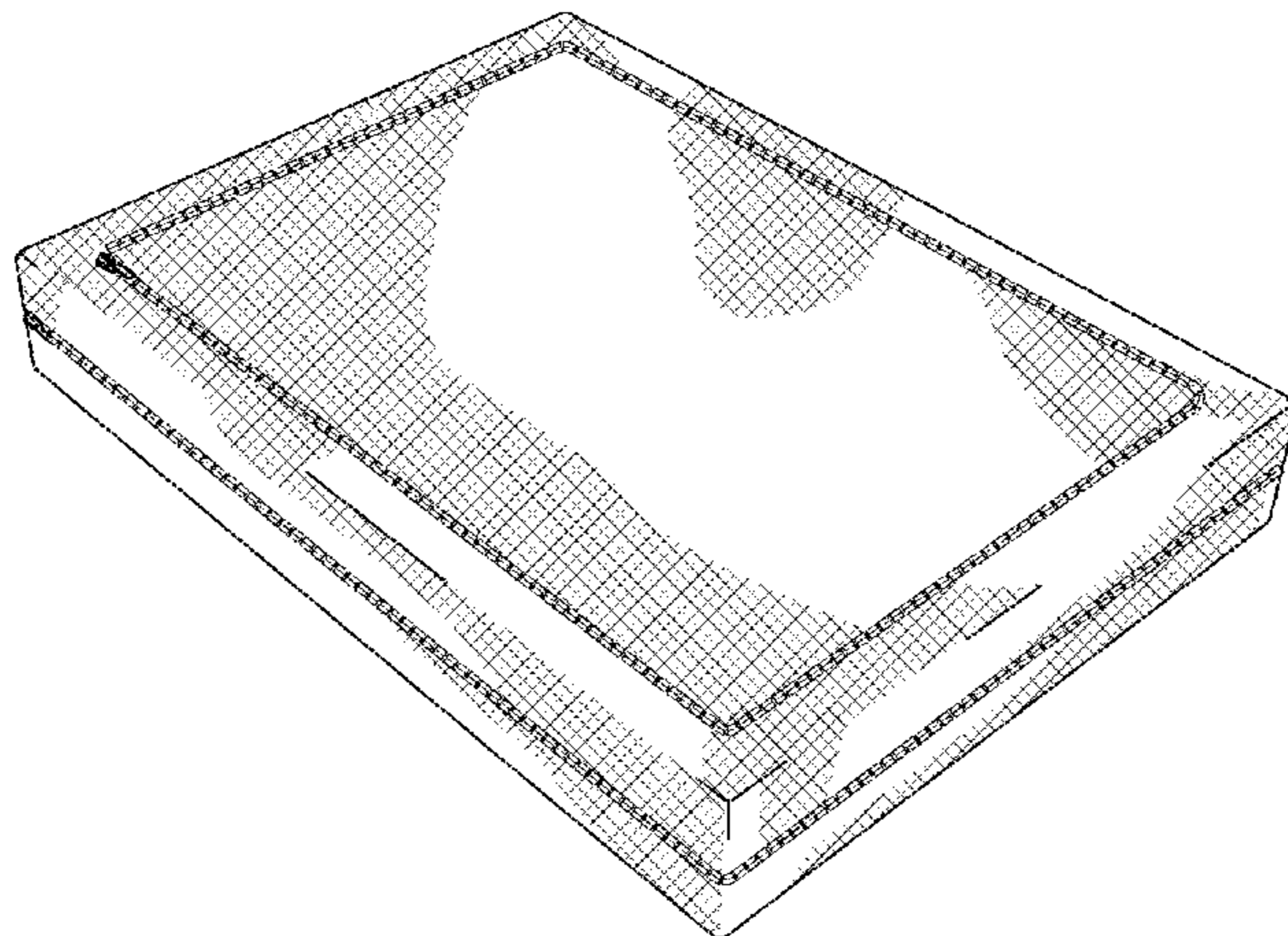
(56) **References Cited**
U.S. PATENT DOCUMENTS

- 2,799,870 A * 7/1957 Sullivan A47G 9/0238
5/495
- 4,161,044 A * 7/1979 Bogle A47G 9/02
5/494
- 4,164,797 A 8/1979 Golembeck
- 4,546,508 A * 10/1985 Ison A47G 9/02
5/482
- 4,802,251 A * 2/1989 O'Dell A47G 9/02
5/486
- 4,862,541 A 9/1989 Hutton et al.
- D319,366 S * 8/1991 Popovich 5/501
- D348,348 S * 7/1994 Lawson D2/719
- 5,566,411 A * 10/1996 Eiler A47G 9/02
5/484

DESCRIPTION

FIG. 1 is a perspective top side view of the interlocking
bedding, showing my new design;
FIG. 2 is a perspective bottom side view of the interlocking
bedding, showing my new design;
FIG. 3 is a front side view thereof;
FIG. 4 is a rear side view thereof;
FIG. 5 is a left side view thereof;
FIG. 6 is a right side view thereof;
FIG. 7 is a top side view thereof; and,
FIG. 8 is a bottom side view thereof.

1 Claim, 8 Drawing Sheets



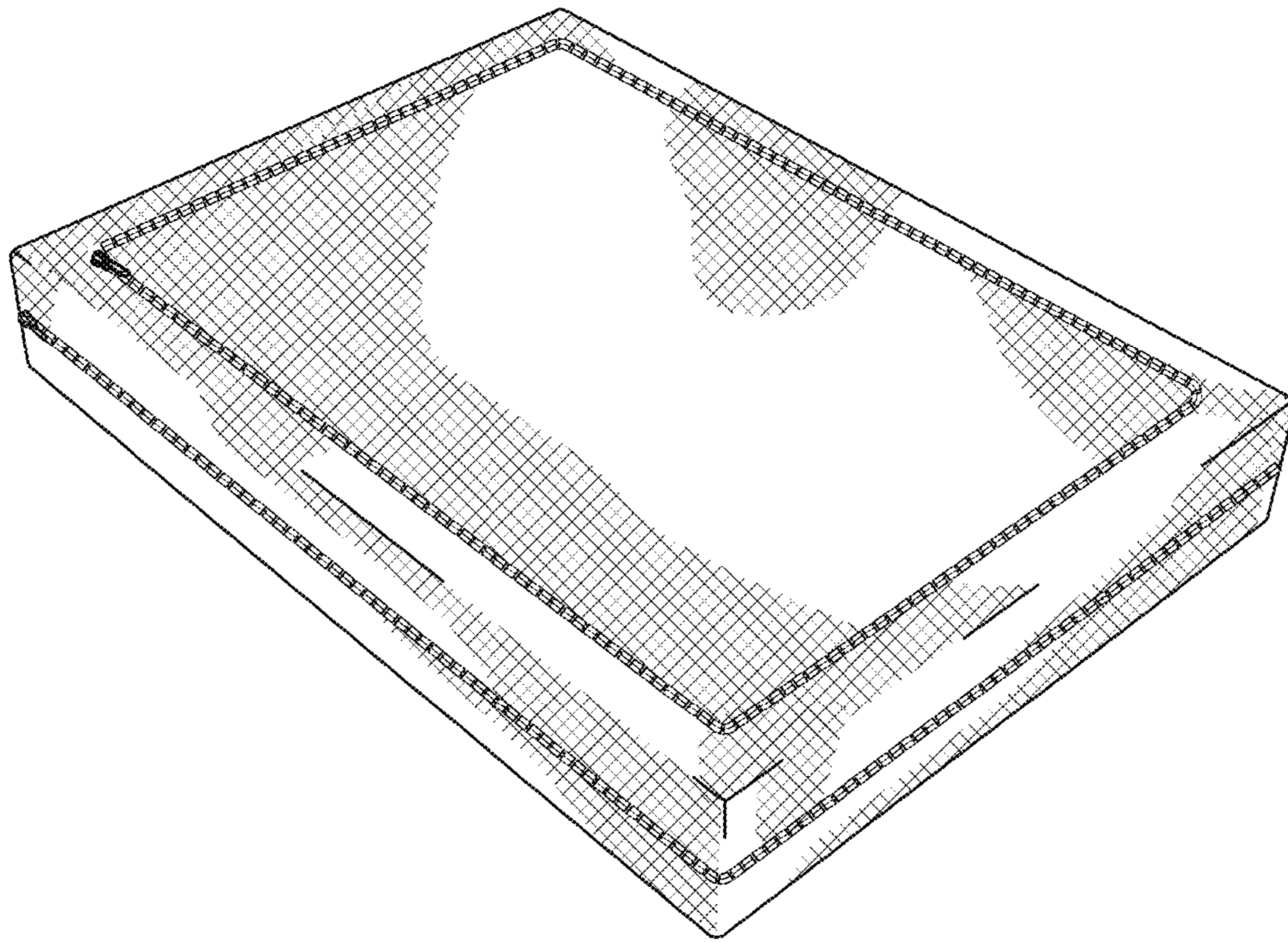


FIG. 1

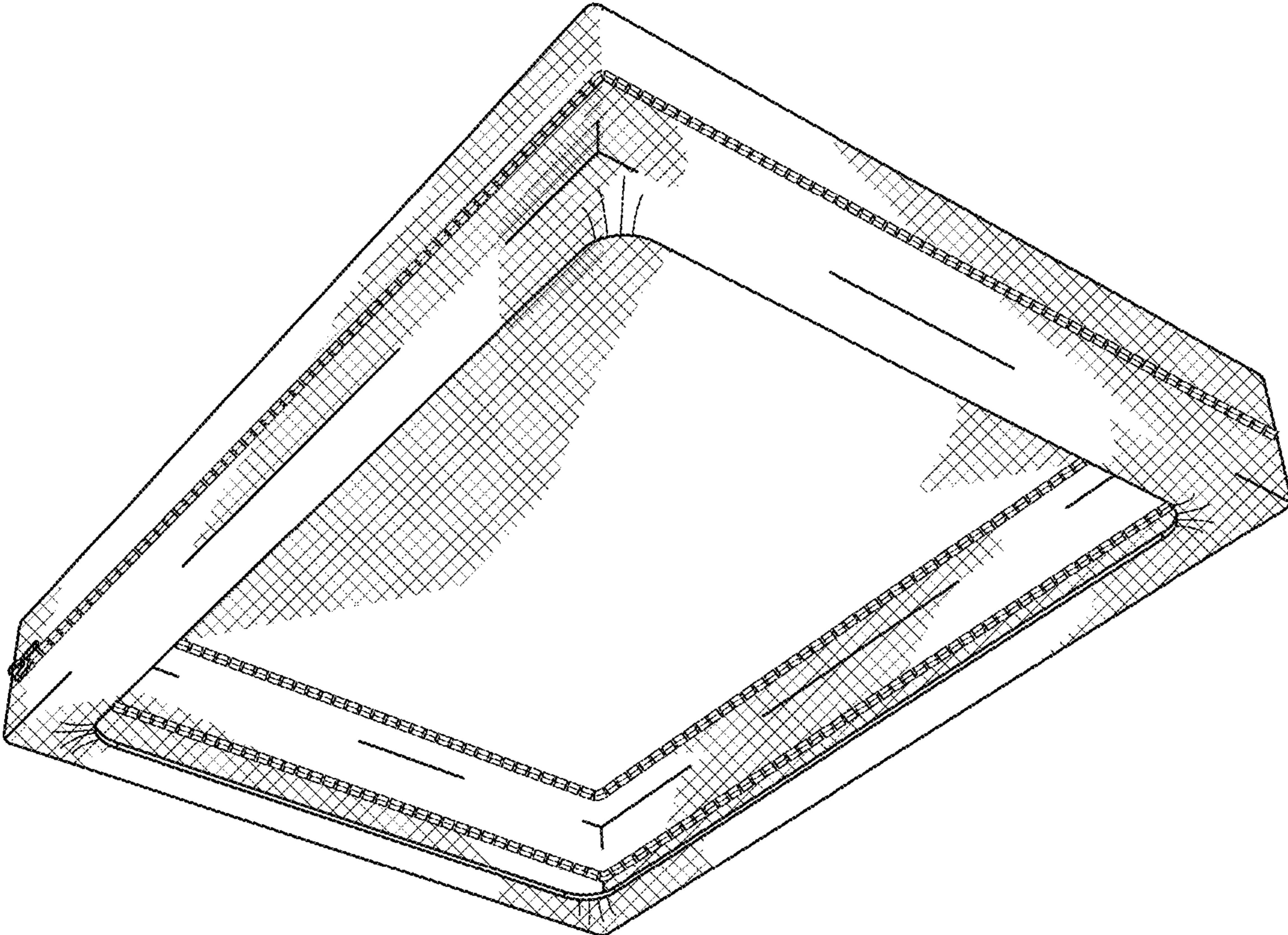


FIG. 2

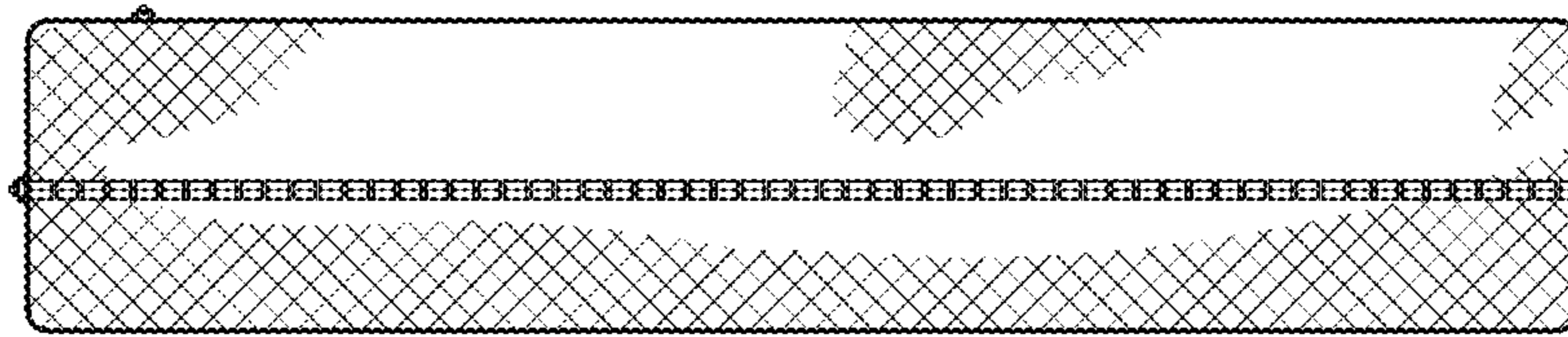


FIG. 3

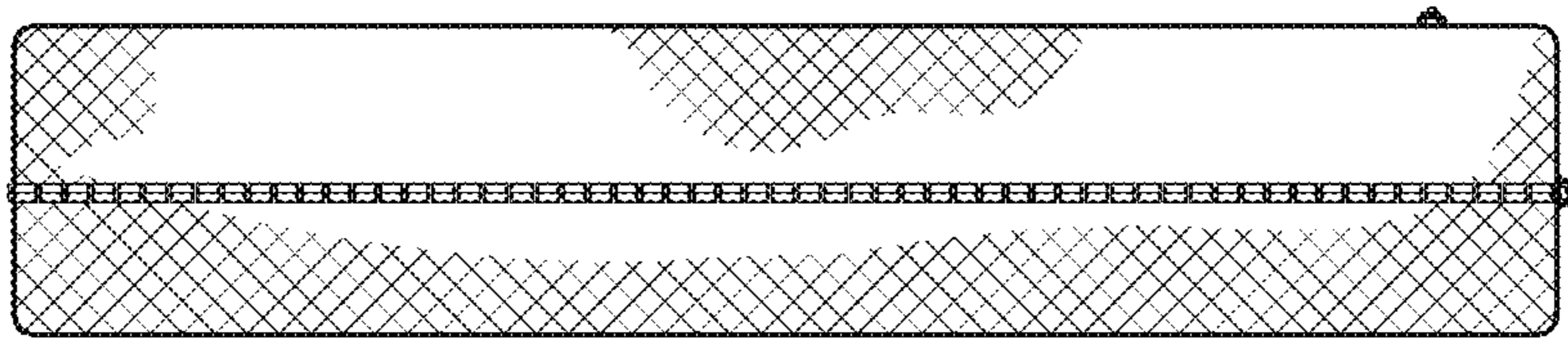


FIG. 4

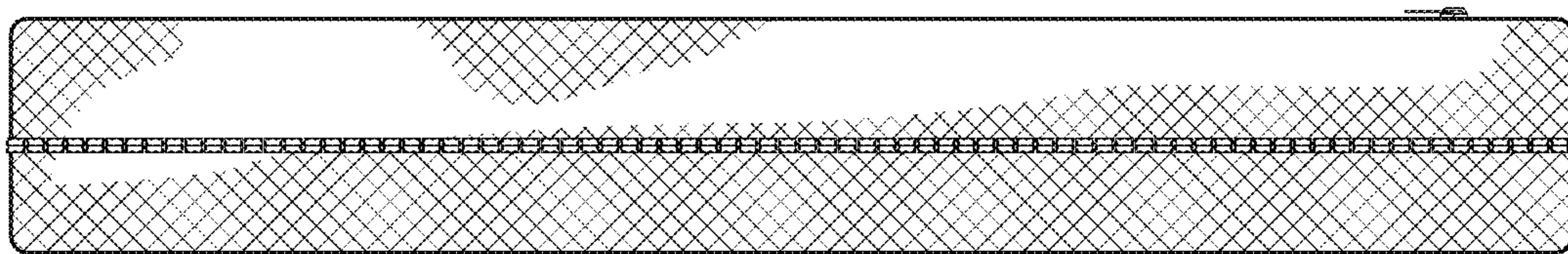


FIG. 5

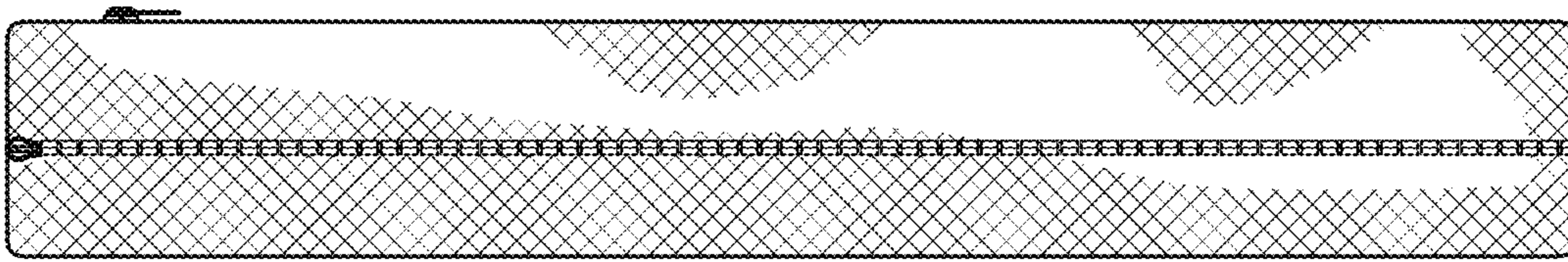


FIG. 6

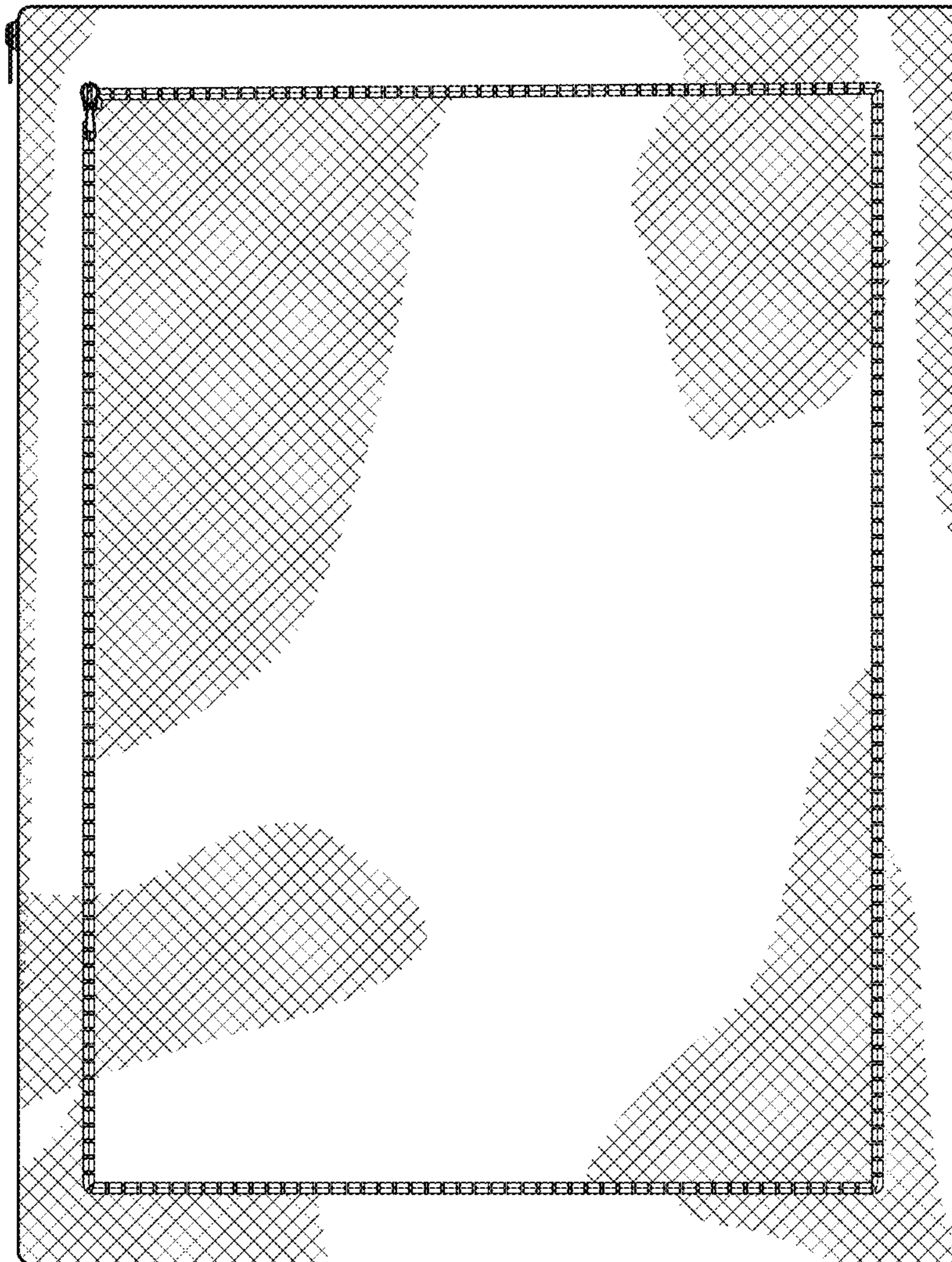


FIG. 7

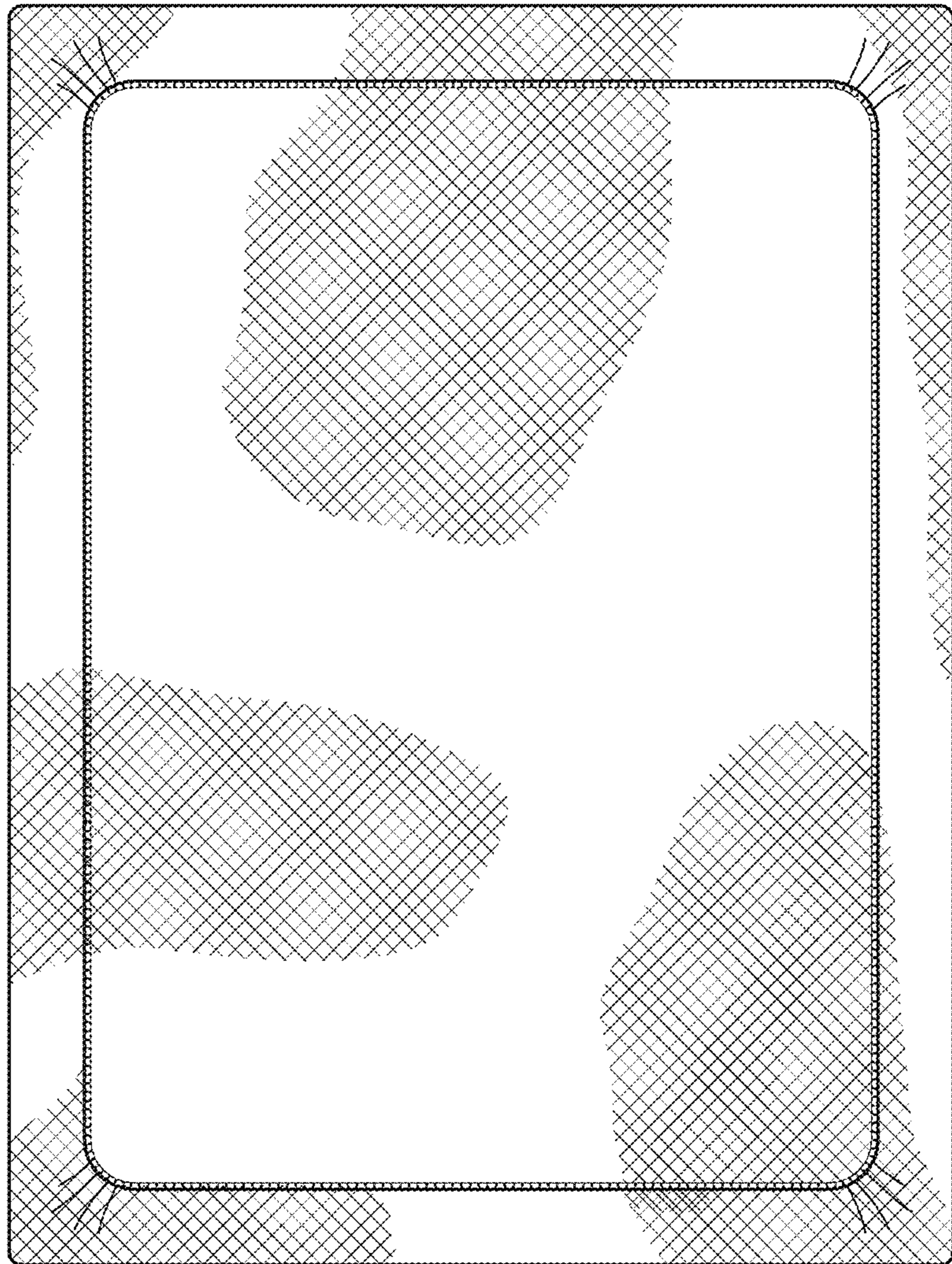


FIG. 8