



US00D773206S

(12) **United States Design Patent** (10) **Patent No.:** **US D773,206 S**
Chang et al. (45) **Date of Patent:** **** Dec. 6, 2016**

(54) **HOLDER**
(71) Applicant: **3M INNOVATIVE PROPERTIES COMPANY**, St. Paul, MN (US)
(72) Inventors: **Pei-Chun Chang**, Taoyuan (TW); **Hui-Lin Wang**, Taipei (TW); **Hsi Cheng Cheng**, Taipei (TW)
(73) Assignee: **3M INNOVATIVE PROPERTIES COMPANY**, St. Paul, MN (US)
(**) Term: **14 Years**
(21) Appl. No.: **29/506,502**
(22) Filed: **Oct. 16, 2014**
(51) **LOC (10) Cl.** **06-04**
(52) **U.S. Cl.**
USPC **D6/566**
(58) **Field of Classification Search**
USPC D6/553-574, 512-523; D9/730, 702, D9/432, 431, 414, 499; D19/78, 84, 90, D19/65, 75, 81, 85, 86, 91, 100; 211/13.1, 211/10-12, 16, 44, 60.1, 69.1, 70.6, 70.7, 211/72, 85.13, 86.01, 87.01, 90.01, 211/119.009, 134; 242/570, 590, 595; D8/381, 380, 371, 370, 366, 354; 47/40; 248/313, 274.1, 27.8, 231.41, 248/228.3, 220.41, 220.31, 208, 311.2, 248/217.1, 302, 153, 95, 97, 99; D12/317; D30/121, 119; D34/1, 2, 3, 4, 5, 6, 7, D34/9, 10; 220/908, 909; 206/69, 363, 361, 206/349, 703, 233, 581, 570, 514, 77.1, 96, 206/730, 735; D3/203.1, 23.5, 201, 226, D3/227, 269, 304, 315
CPC C09K 3/1427; C03C 10/00; C04B 2235/3225; C04B 2235/3227
See application file for complete search history.

(56) **References Cited**
U.S. PATENT DOCUMENTS
3,022,897 A * 2/1962 Archer A47F 7/08
211/134
D282,994 S * 3/1986 Prader D34/6
D322,378 S * 12/1991 Colman D3/306
D337,127 S * 7/1993 Aaldenberg D19/86
D341,236 S * 11/1993 Gasca-Salas D34/6
5,449,076 A * 9/1995 Van Noord A47F 5/01
211/106
D371,659 S * 7/1996 Goldman D34/6
6,042,063 A * 3/2000 Kerr B65B 67/1227
248/100

(Continued)
FOREIGN PATENT DOCUMENTS

CN	301542974	5/2011
CN	302723713	1/2014
TW	343844	8/1986
TW	M330071	11/1996
TW	491539	6/2002
TW	M280774	11/2005
TW	M372172	1/2010
TW	M390760	10/2010
TW	D154159	6/2013

OTHER PUBLICATIONS

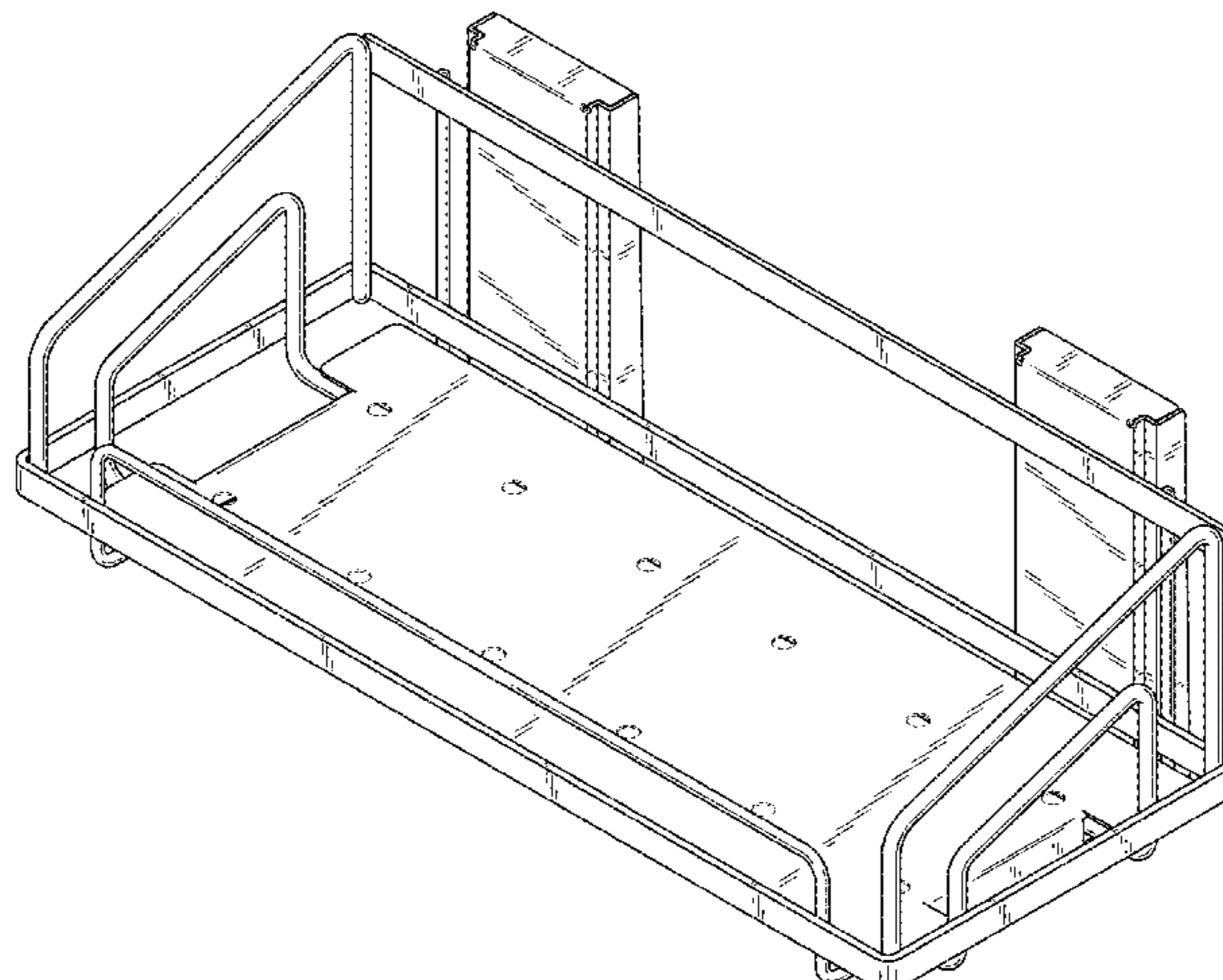
Furniture Fittings, The Complete Hafele, Mar. 19, 2014, FF8. P10, 805.81.290, (JPO Reference No. HC25023326).
Primary Examiner — David Muller
Assistant Examiner — Nathan Johnston
(74) *Attorney, Agent, or Firm* — Irina Hass

(57) **CLAIM**
The ornamental design for a holder, as shown and described.

DESCRIPTION

FIG. 1 is a perspective view showing our new design for a holder;
FIG. 2 is a front elevation view thereof;
FIG. 3 is a rear elevation view thereof;
FIG. 4 is a top plan view thereof;
FIG. 5 is a bottom plan view thereof; and,
FIG. 6 is a right side elevation view thereof.
The portions of the holder in FIGS. 1, 4, and 5 shown in broken lines are included to show features that form no part of the claimed design.

1 Claim, 6 Drawing Sheets



US D773,206 S

Page 2

(56)

References Cited

U.S. PATENT DOCUMENTS

D423,841 S * 5/2000 Kerr D34/5
D468,773 S * 1/2003 Bodum D19/86

D498,632 S * 11/2004 Anderson D6/566
D520,239 S * 5/2006 Rand D3/304
D588,907 S * 3/2009 Cesario, Jr. D9/418

* cited by examiner

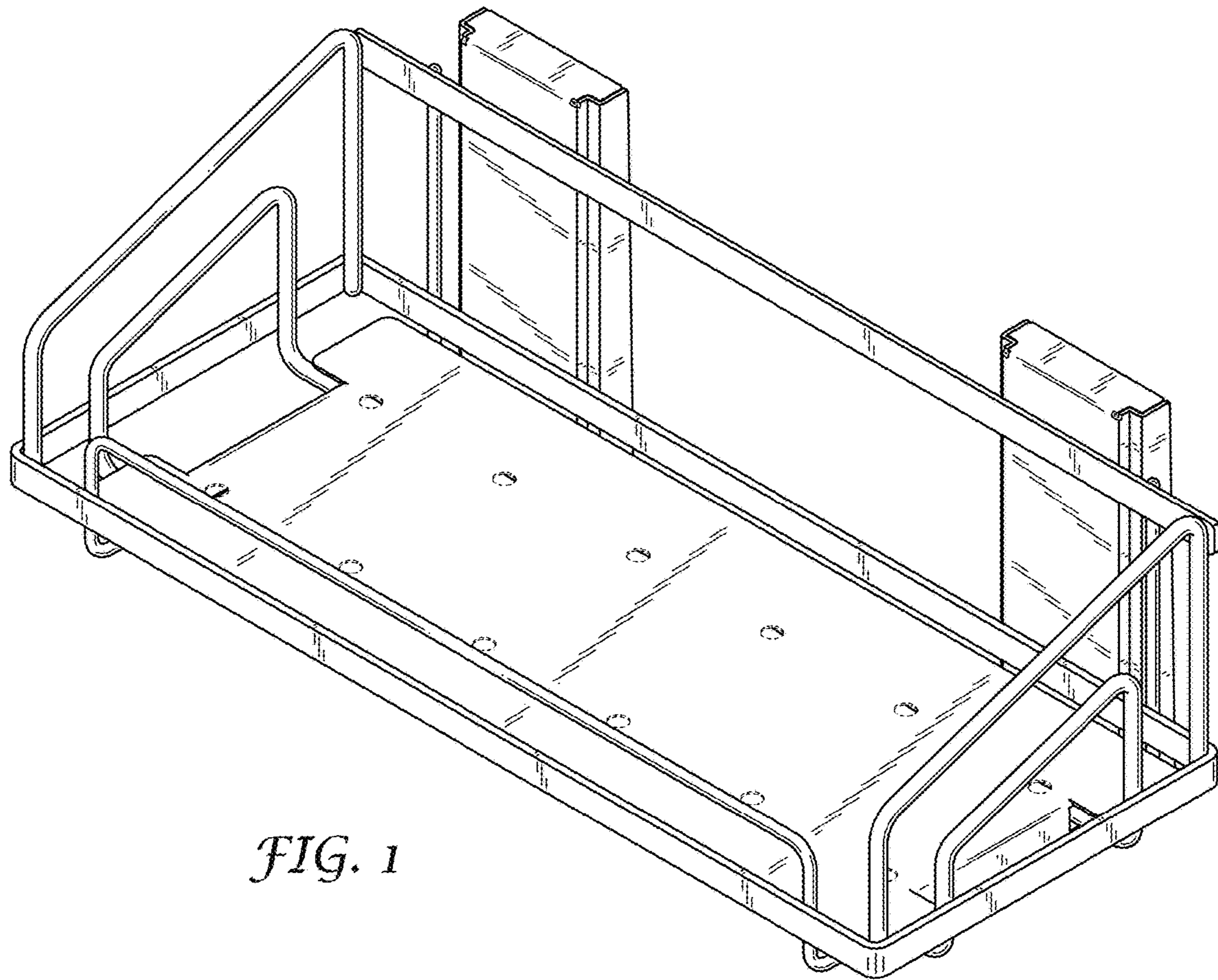


FIG. 1

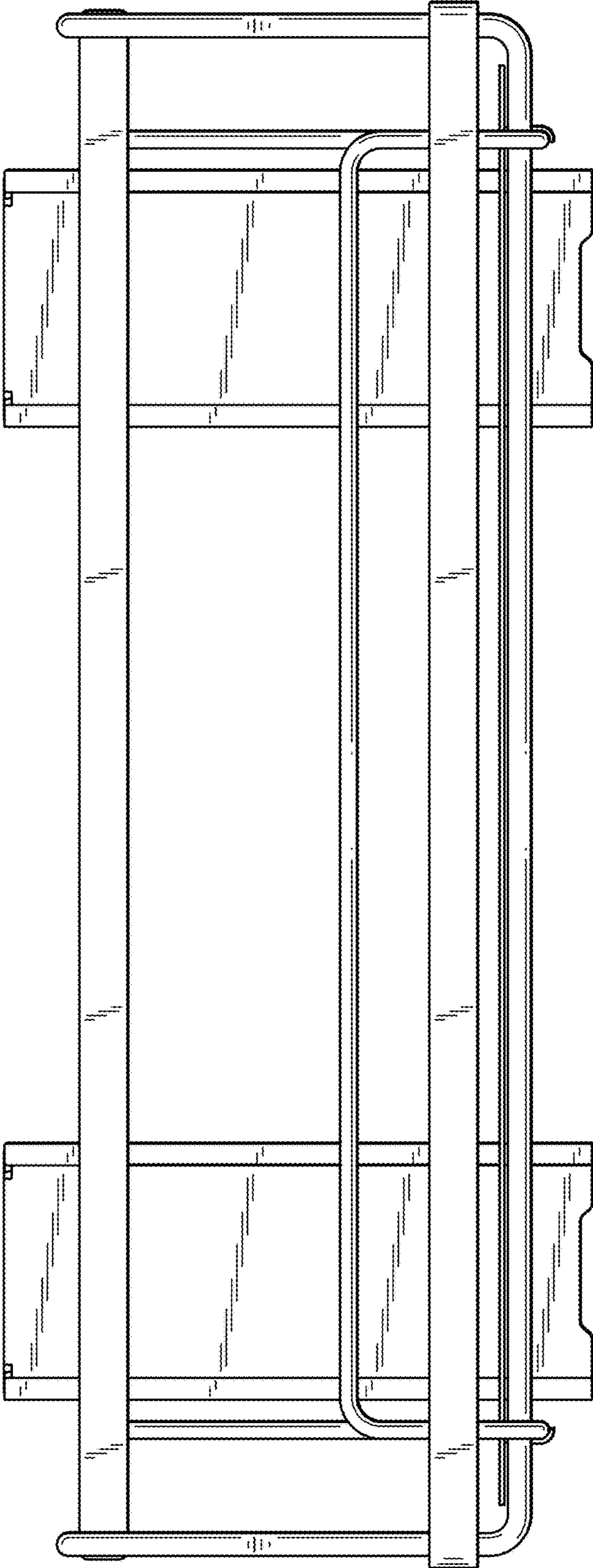


FIG. 2

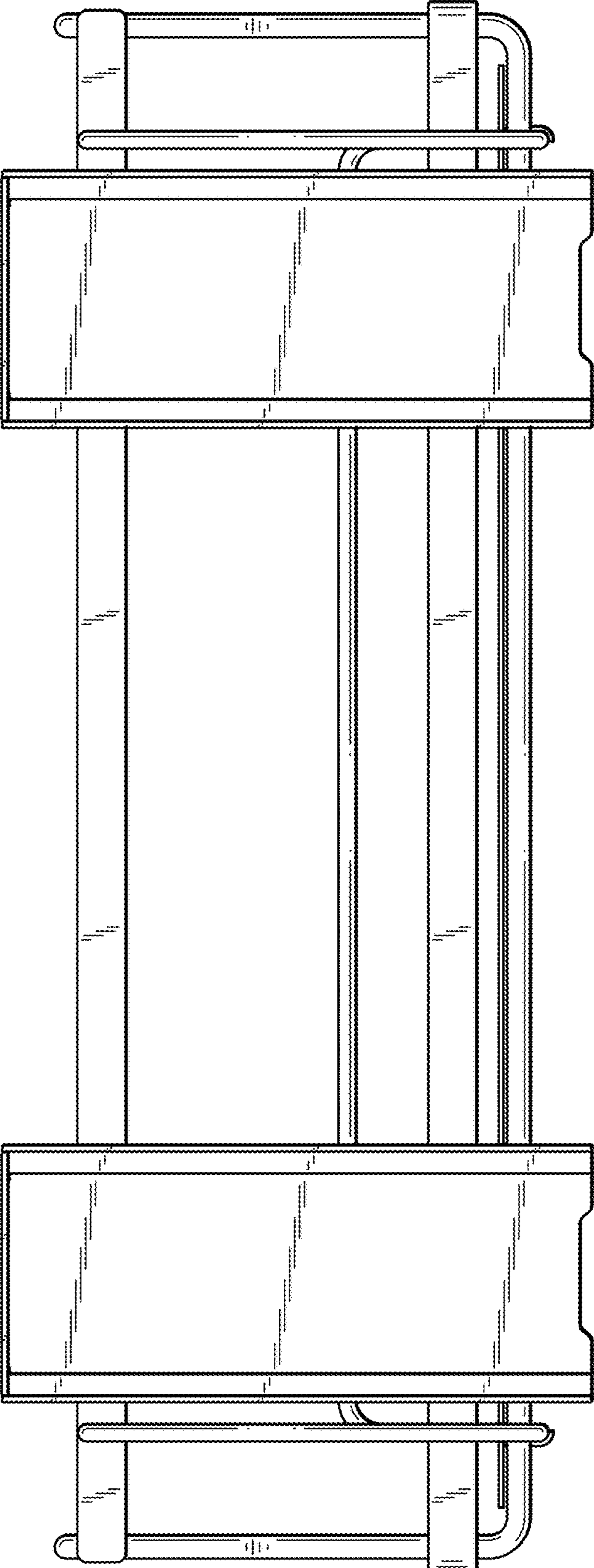


FIG. 3

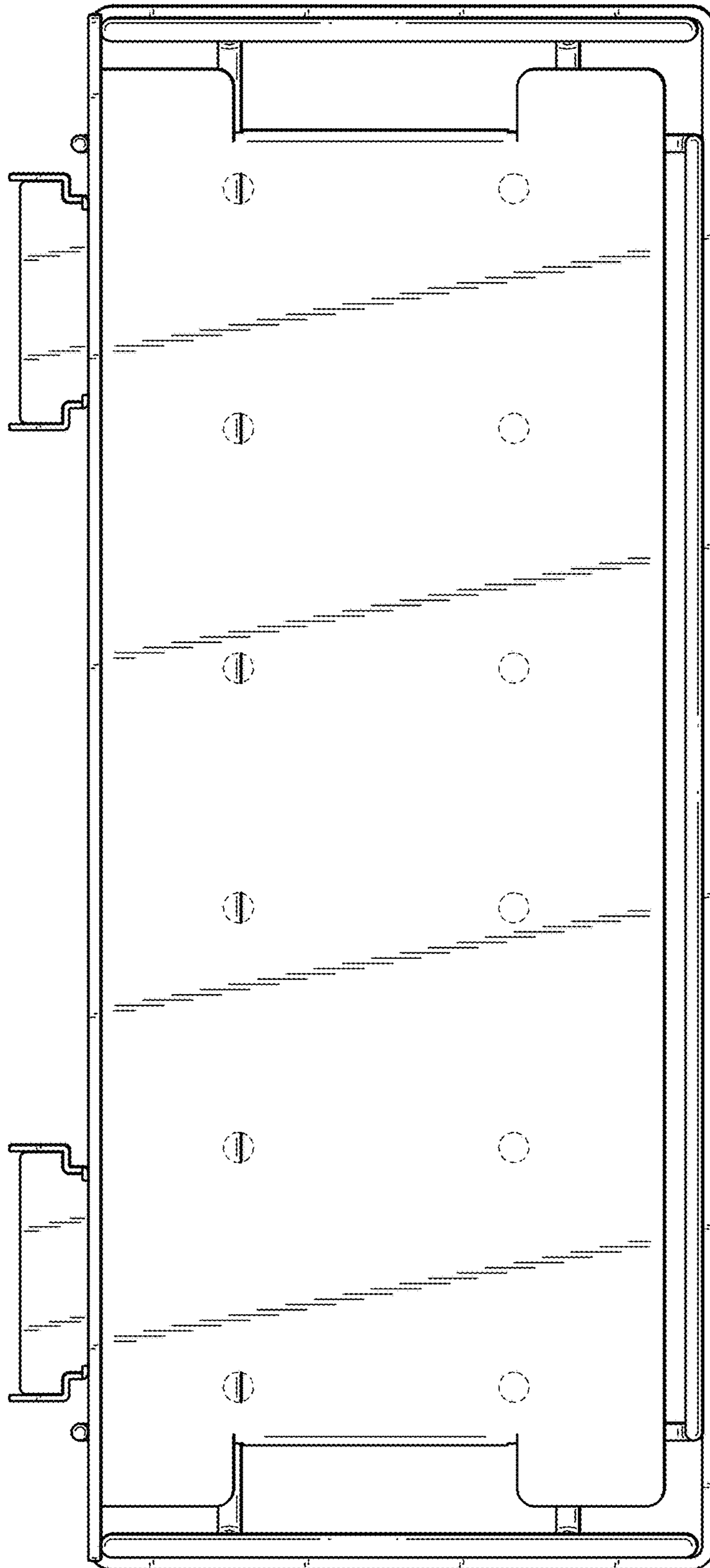


FIG. 4

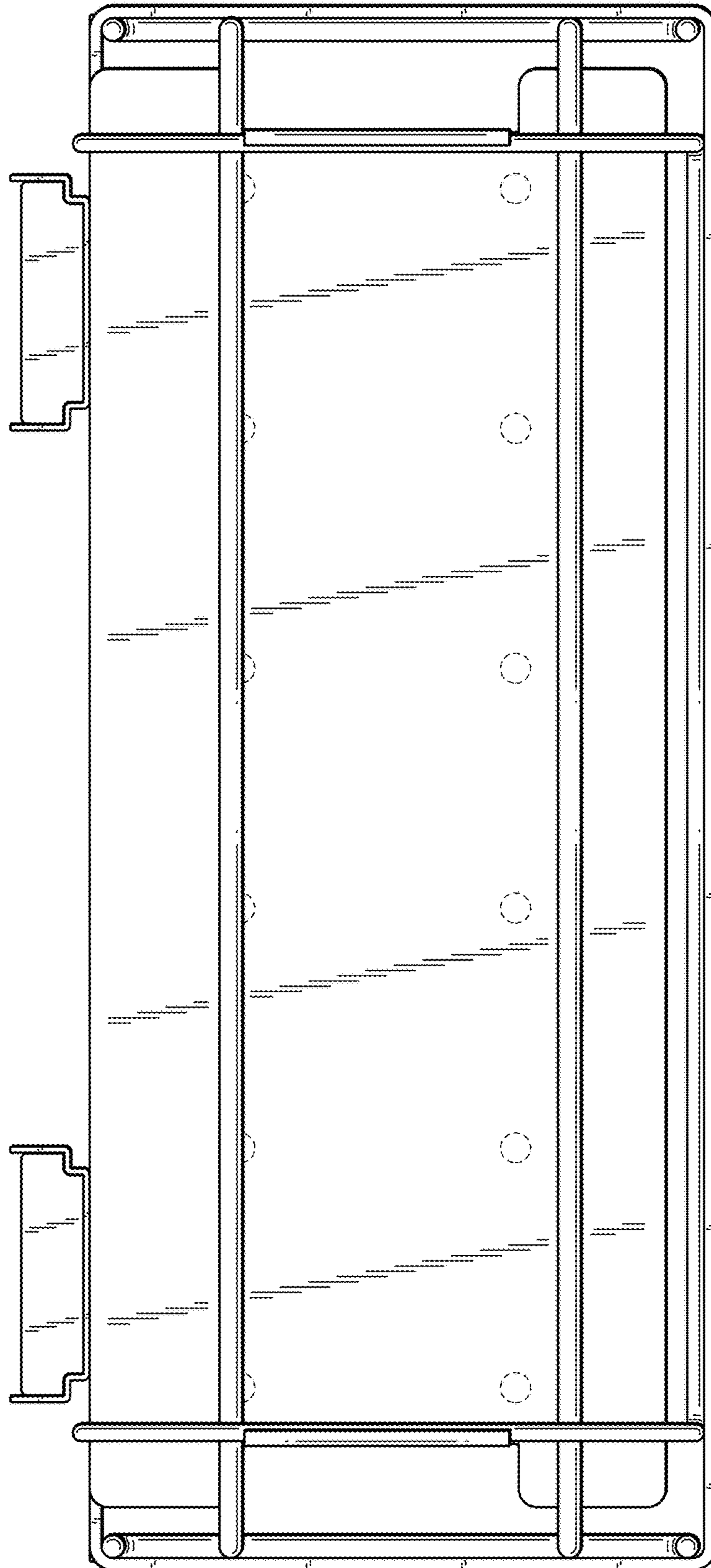


FIG. 5

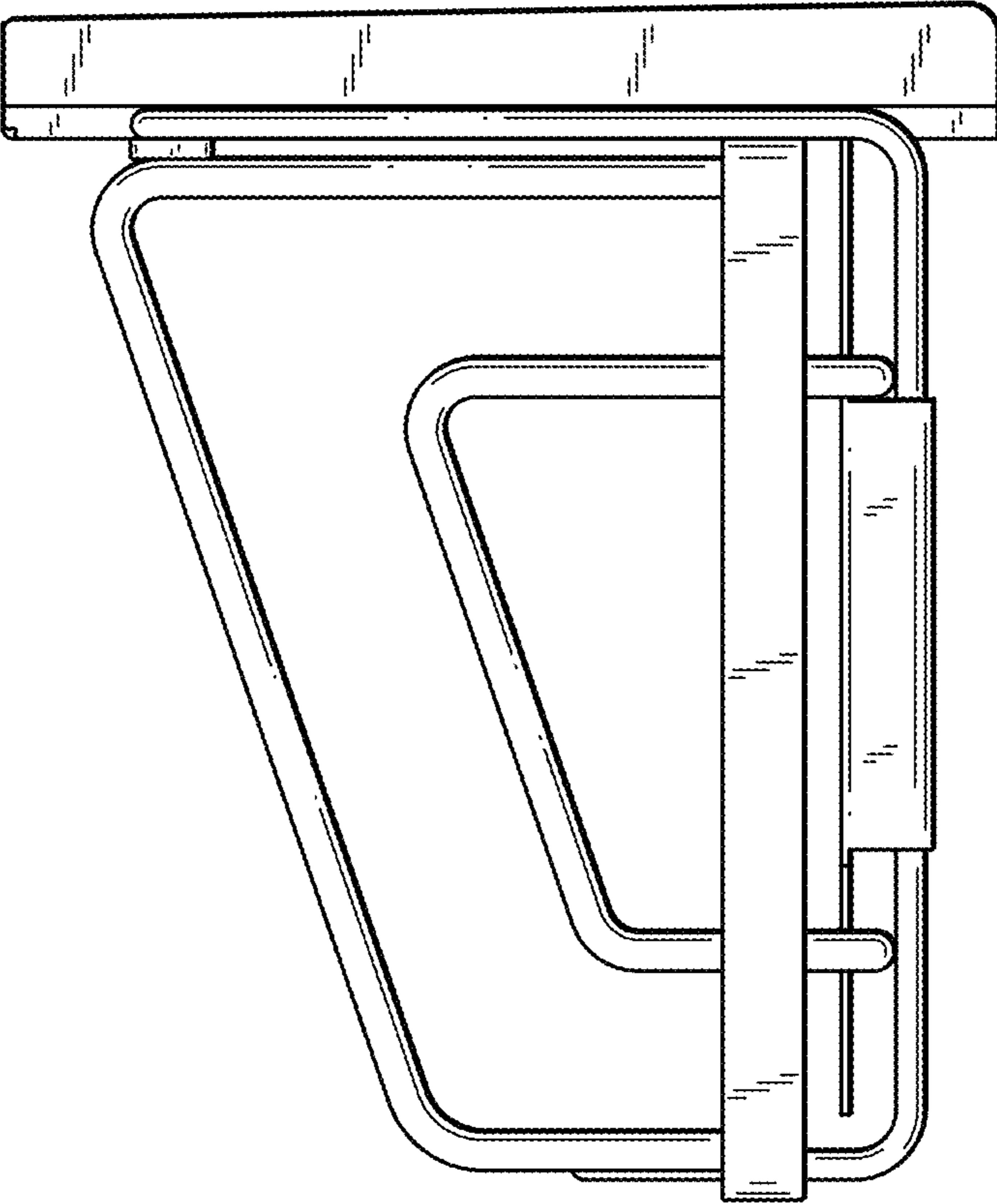


FIG. 6