



US00D773205S

(12) **United States Design Patent**
Garland

(10) **Patent No.:** **US D773,205 S**

(45) **Date of Patent:** **** Dec. 6, 2016**

(54) **TOWEL RING**

D465,369 S * 11/2002 Moore D6/546
D497,754 S * 11/2004 Graves D6/546
D540,593 S * 4/2007 Hoernig D6/523

(71) Applicant: **Delta Faucet Company**, Indianapolis,
IN (US)

* cited by examiner

(72) Inventor: **Celine Kwok Garland**, Zionsville, IN
(US)

Primary Examiner — Wan Laymon

Assistant Examiner — Mark Booker

(73) Assignee: **DELTA FAUCET COMPANY**,
Indianapolis, IN (US)

(74) *Attorney, Agent, or Firm* — Edgar A. Zarins; Nirav
D. Parikh

(**) Term: **15 Years**

(21) Appl. No.: **29/531,353**

(57) **CLAIM**

(22) Filed: **Jun. 25, 2015**

The ornamental design for a towel ring, as shown and
described.

(51) **LOC (10) Cl.** **06-04**

(52) **U.S. Cl.**
USPC **D6/546**

(58) **Field of Classification Search**
USPC D6/518–524, 546–550, 574; D8/300,
D8/315, 370; 108/28–29; 211/13.1, 16,
211/85.5, 86.01, 87.01, 88.04, 100, 105.1,
211/105.2, 106, 106.1, 113, 123, 181.1,
211/182–183; 242/570, 590, 595–598;
248/175, 176.1, 200, 201, 205.1, 251,
248/202, 309.1, 315
CPC A47K 10/10; A47K 10/04; A47K 2201/02;
A47K 2201/00; Y10S 16/40; Y10S 16/41;
Y10S 16/458; Y10S 16/462; Y10S 16/513
See application file for complete search history.

DESCRIPTION

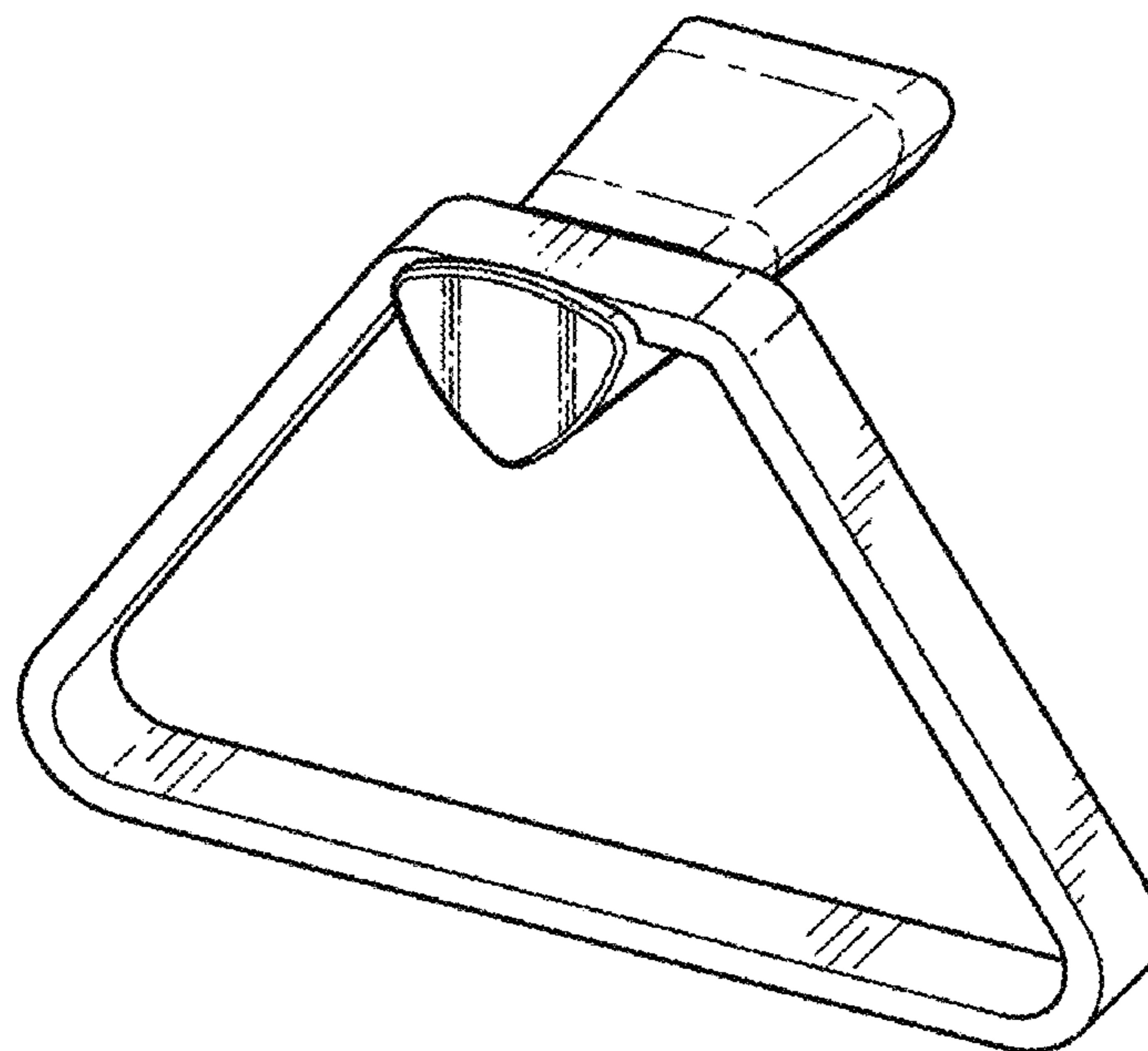
FIG. 1 is a perspective view of a towel ring showing my new
design;
FIG. 2 is a top plan view thereof;
FIG. 3 is a bottom view thereof;
FIG. 4 is a right side view thereof, the opposite side being
a mirror image of the side shown;
FIG. 5 is a front elevational view thereof; and,
FIG. 6 is a rear view thereof.
The broken line showing in the figures is included for the
purpose of illustrating portions of the towel ring and form no
part of the claimed design.

(56) **References Cited**

U.S. PATENT DOCUMENTS

D293,184 S * 12/1987 Chap D6/546
D423,852 S * 5/2000 Duggan D6/546
D446,979 S * 8/2001 Schultz D6/522

1 Claim, 2 Drawing Sheets



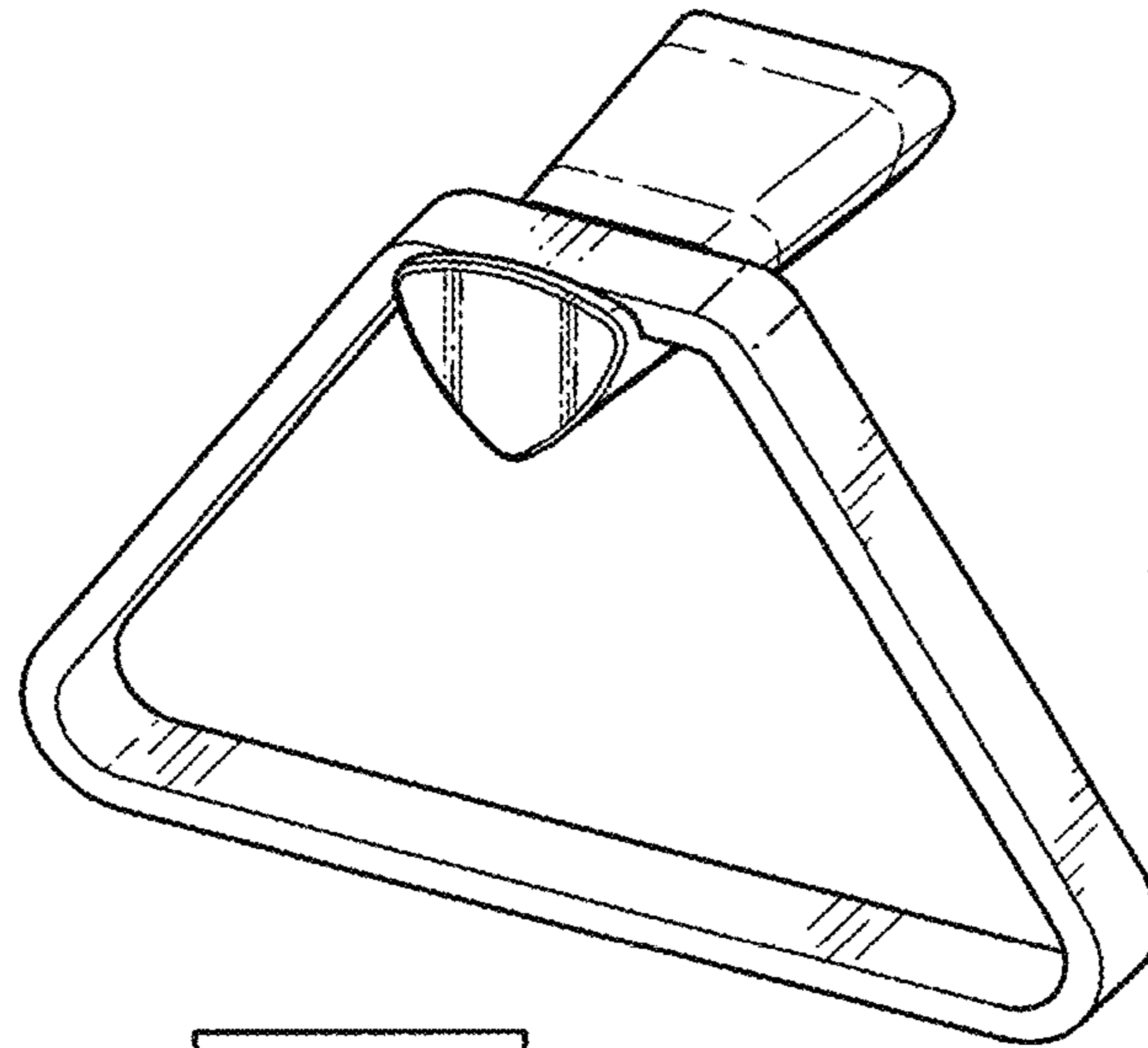


Fig-1

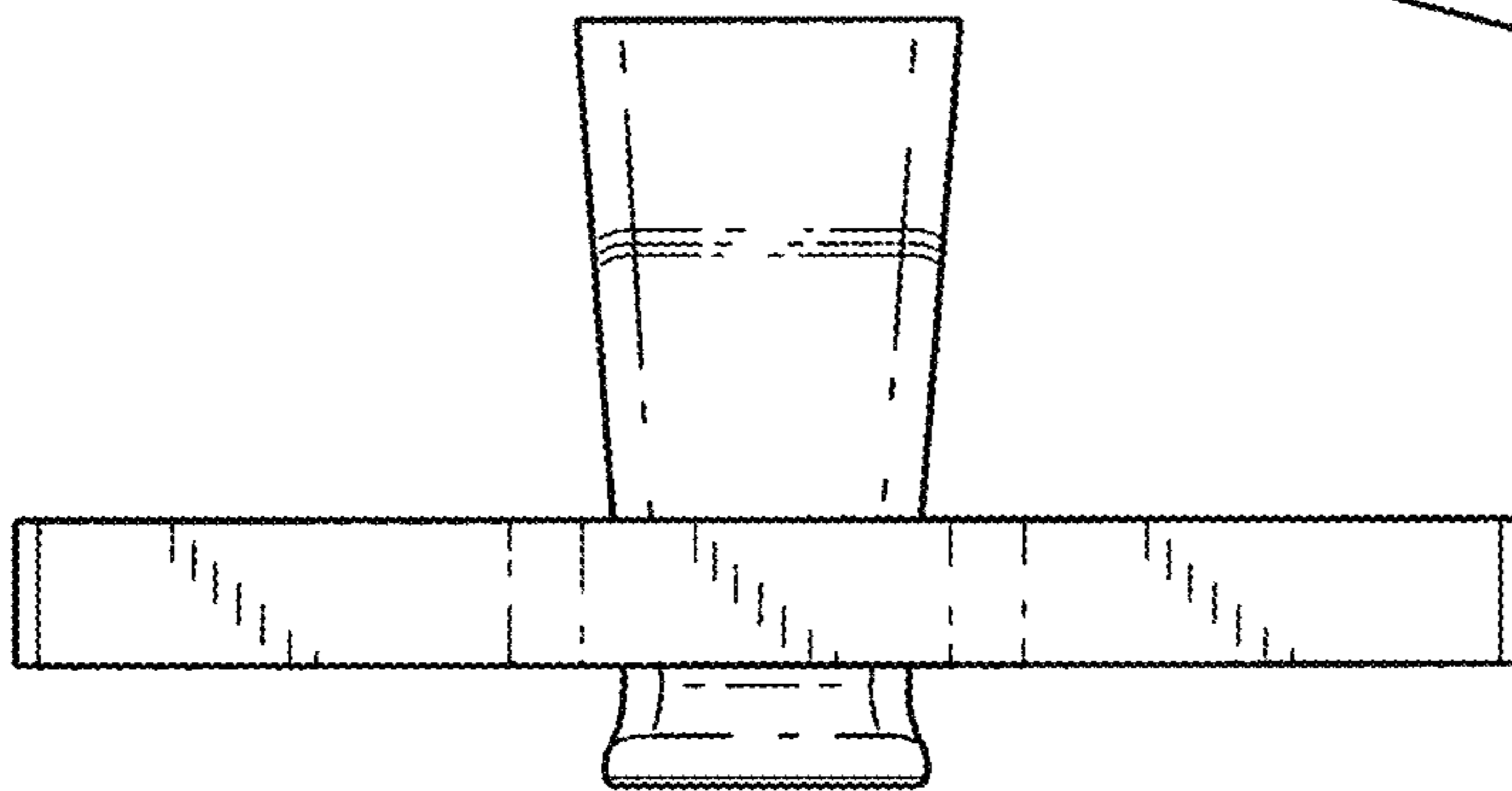


Fig-2

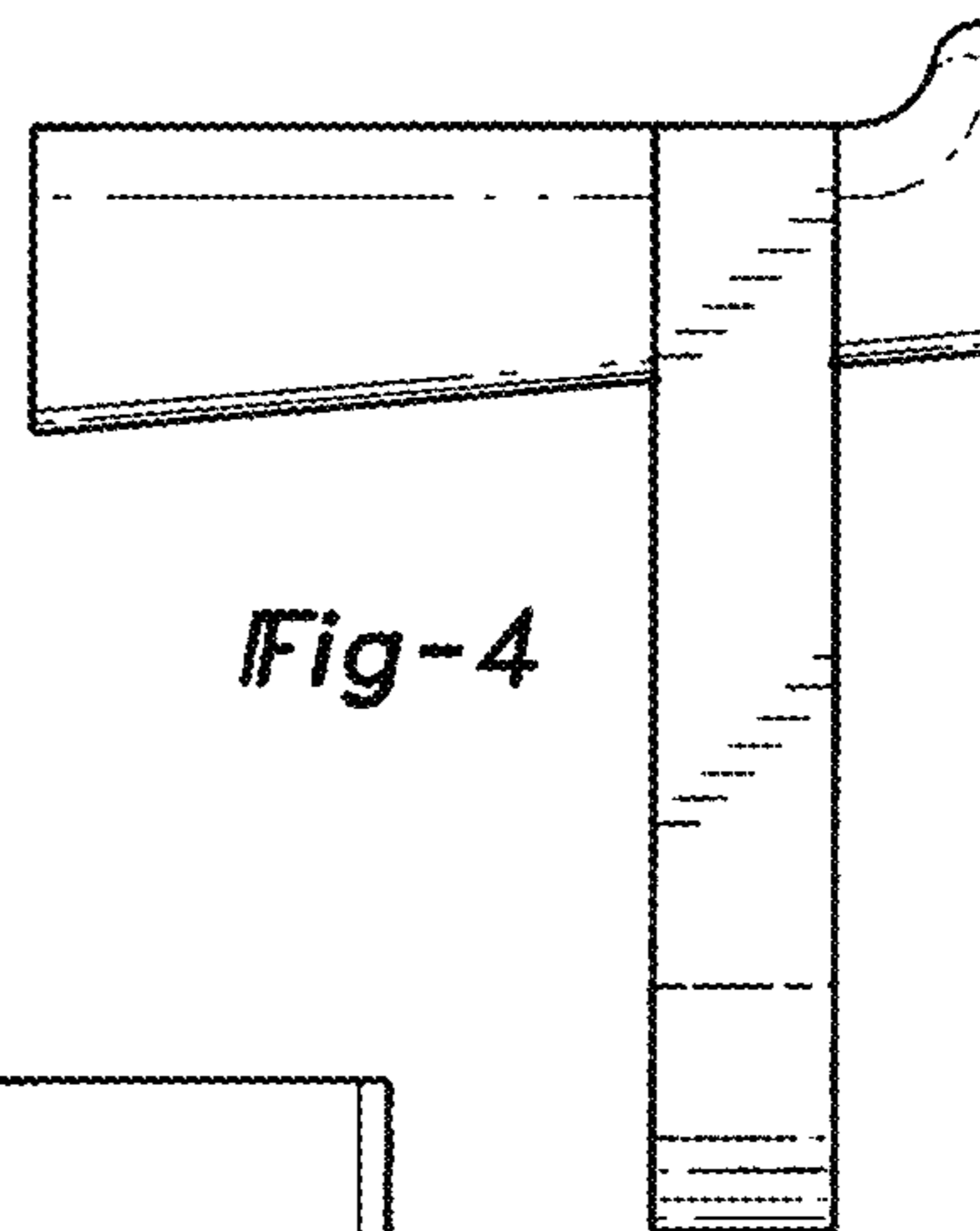


Fig-4

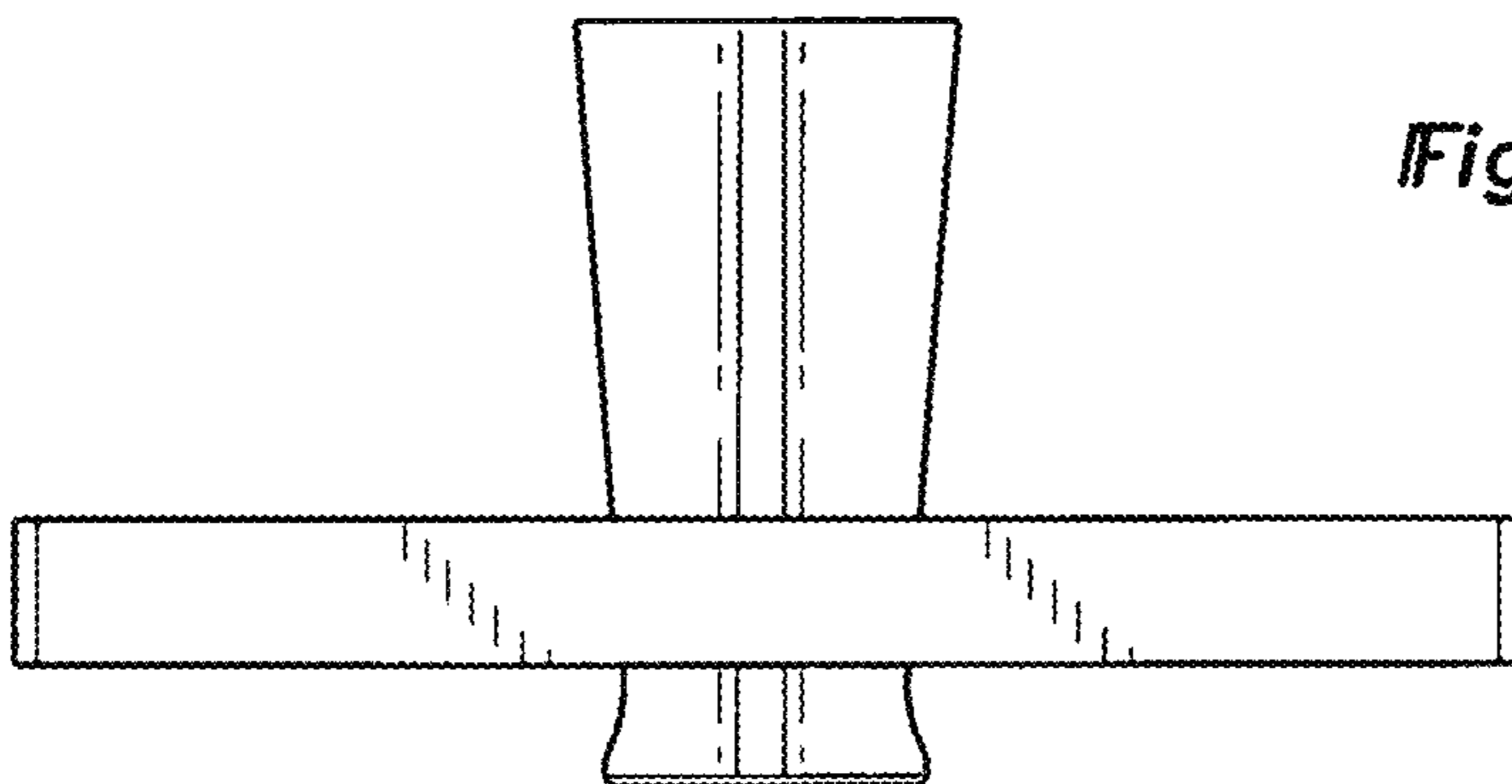


Fig-3

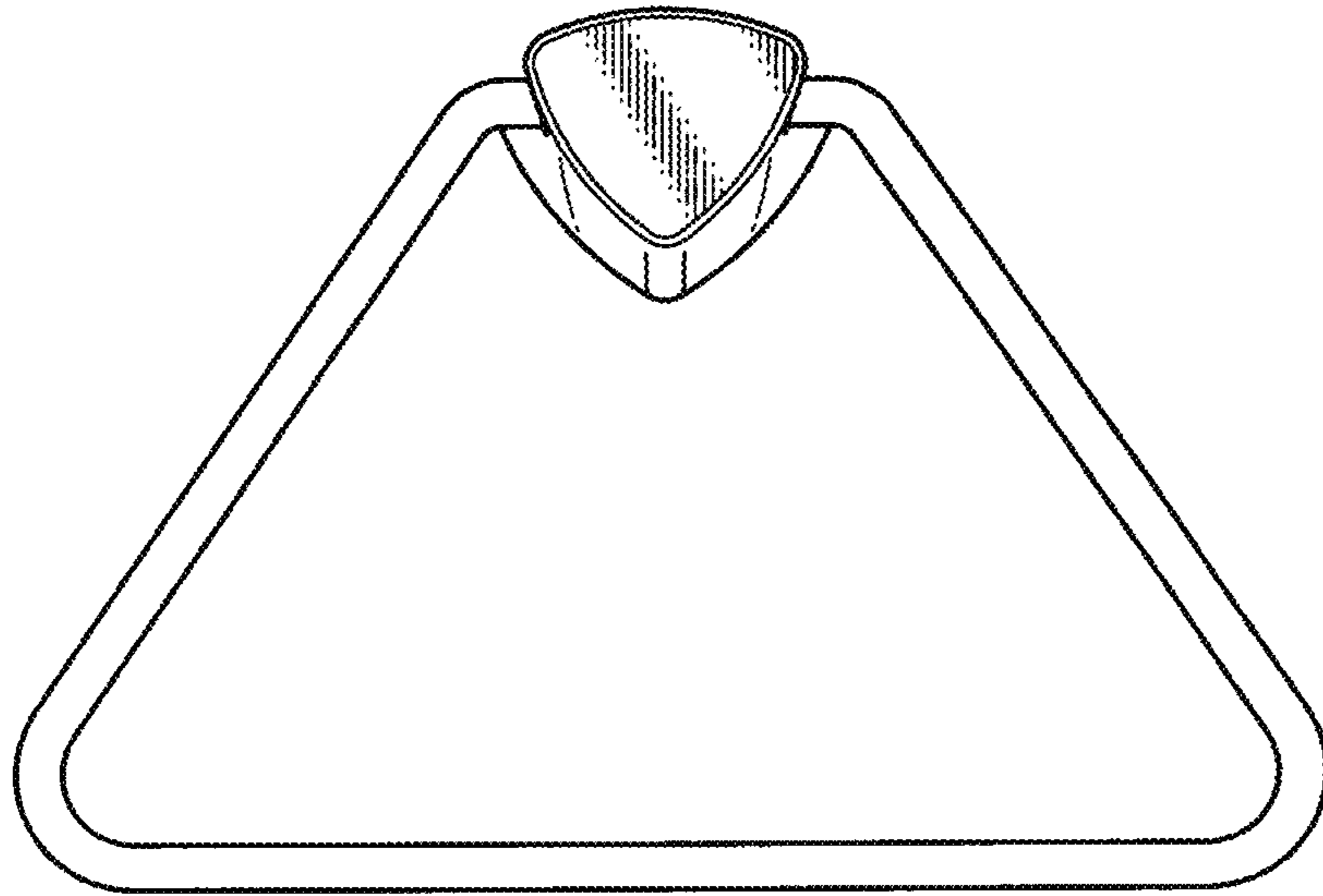


Fig-5

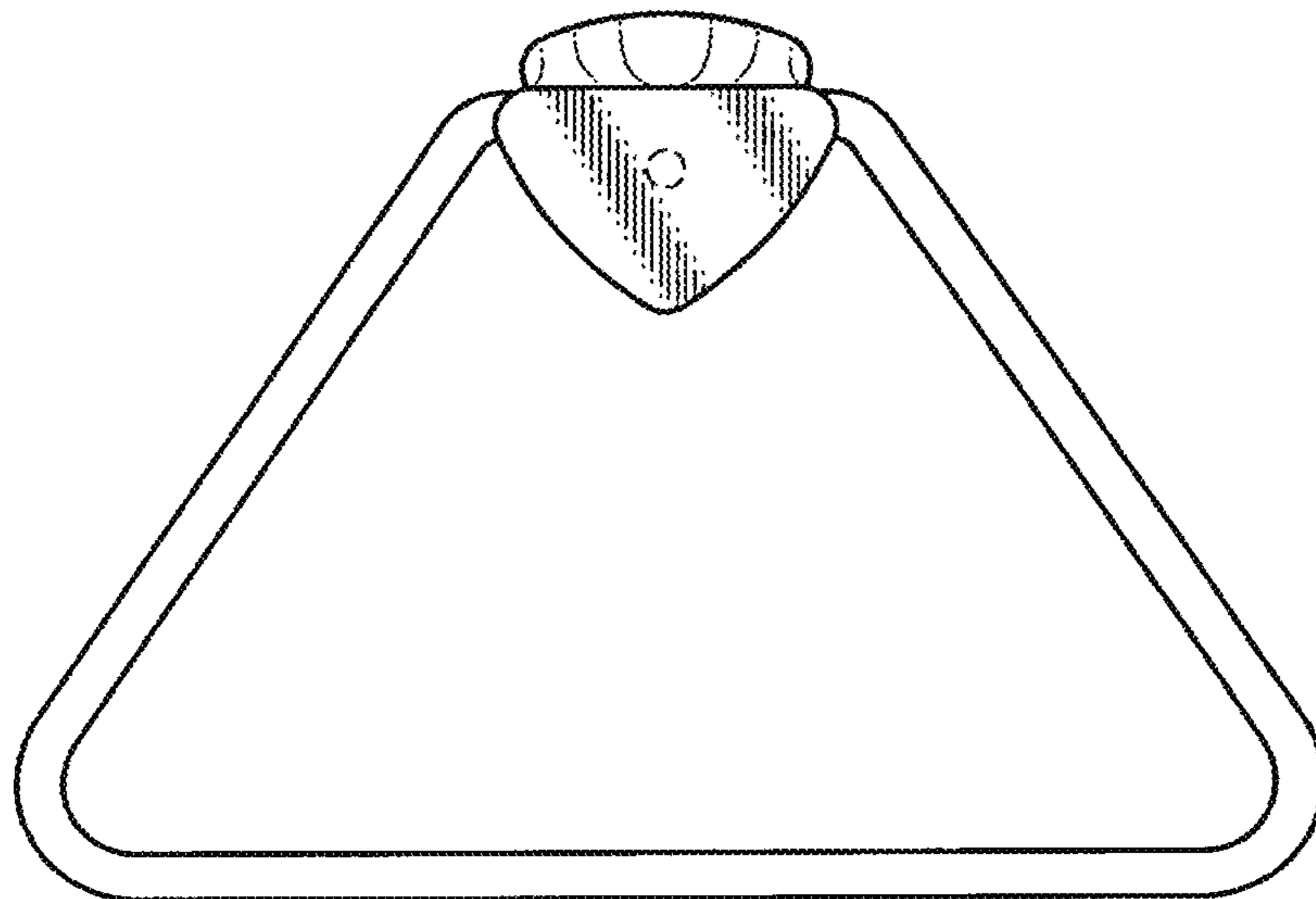


Fig-6