



US00D773204S

(12) **United States Design Patent** (10) **Patent No.:** **US D773,204 S**
Sedwick (45) **Date of Patent:** **** Dec. 6, 2016**

- (54) **ACCESSORY POST**
- (71) Applicant: **Moen Incorporated**, North Olmsted, OH (US)
- (72) Inventor: **Jennifer P. Sedwick**, Lakewood, OH (US)
- (73) Assignee: **Moen Incorporated**, North Olmsted, OH (US)
- (**) Term: **14 Years**
- (21) Appl. No.: **29/510,604**
- (22) Filed: **Dec. 1, 2014**
- (51) **LOC (10) Cl.** **23-02**
- (52) **U.S. Cl.**
USPC **D6/524; D8/363**
- (58) **Field of Classification Search**
USPC D6/524, 528-531, 534, 550, 518-523, D6/546-549; D8/300, 370, 315; 108/28-29; 211/13.1, 16, 85.5, 86.01, 87.01, 88.04, 211/100, 105.1, 105.2, 106, 113, 123, 181.1, 211/182-183; 248/49, 175, 176.1, 200, 201, 248/205.1, 251, 302, 309.1, 315; 242/570, 590, 242/595-598
CPC A47K 5/02; A47K 10/10
See application file for complete search history.

- D451,737 S 12/2001 Chen
- D463,937 S 10/2002 Lee Wang
- D465,116 S 11/2002 Chen
- D466,734 S 12/2002 Moore
- D489,559 S 5/2004 Fraser et al.
- D492,151 S 6/2004 Chen
- D516,675 S 3/2006 Kakihana
- D526,388 S 8/2006 Haug et al.
- D531,702 S 11/2006 Haug et al.
- D540,597 S 4/2007 Hoernig
- D548,563 S 8/2007 Hoernig
- D554,743 S 11/2007 Sieger
- D581,023 S 11/2008 Citterio
- D588,233 S 3/2009 Zetsche et al.
- D598,981 S 8/2009 Zetsche et al.
- D605,256 S 12/2009 Flowers et al.

(Continued)

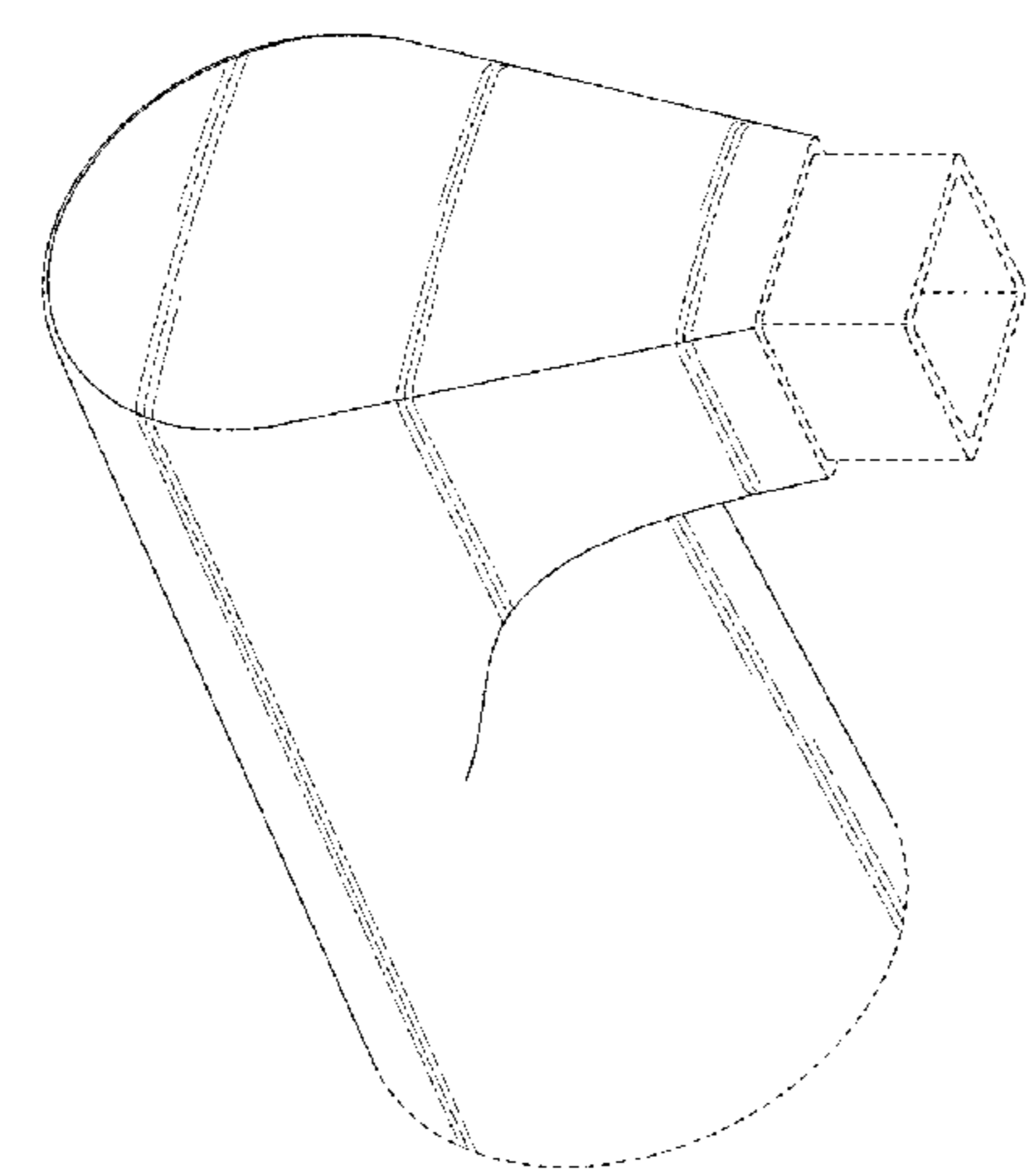
Primary Examiner — Wan Laymon
Assistant Examiner — Mark Booker
(74) *Attorney, Agent, or Firm* — Calfee, Halter & Griswold LLP

- (56) **References Cited**
U.S. PATENT DOCUMENTS
D150,771 S 8/1948 Iskyan
2,542,941 A 2/1951 Post
D163,444 S 5/1951 Crook
D191,781 S 11/1961 Latham
5,186,427 A 2/1993 Semchuk
D357,841 S 5/1995 Lehn et al.
D425,348 S 5/2000 Chen
D431,139 S 9/2000 Chen
D433,618 S 11/2000 Bredemeier
D450,212 S 11/2001 Gottwald

(57) **CLAIM**
The ornamental design for an accessory post, as shown and described.

DESCRIPTION
FIG. 1 is a perspective view of an accessory post of the new design;
FIG. 2 is a front elevational view of the accessory post of FIG. 1;
FIG. 3 is a rear elevational view of the accessory post of FIG. 1;
FIG. 4 is a left side elevational view of the accessory post of FIG. 1;
FIG. 5 is a right side elevational view of the accessory post of FIG. 1; and,
FIG. 6 is a top plan view of the accessory post of FIG. 1, the bottom plan view being a mirror image thereof.
The portions of the Figures shown in broken lines are not part of the claimed design and are for illustration only.

1 Claim, 4 Drawing Sheets



(56)

References Cited

U.S. PATENT DOCUMENTS

D608,124 S	*	1/2010	Sedwick	D6/524
D617,879 S		6/2010	Lammel et al.	
D626,629 S	*	11/2010	Sedwick	D23/238
D633,736 S		3/2011	Sedwick	
D634,815 S		3/2011	Barry	
D635,381 S		4/2011	Kim	
D645,942 S		9/2011	Flowers et al.	
D661,532 S		6/2012	Chen	
D664,387 S		7/2012	Kennedy	
D666,040 S		8/2012	Sedwick	
D689,170 S		9/2013	Sieger	
D704,805 S		5/2014	Hahn et al.	
D723,833 S	*	3/2015	Cahill	D6/524
D735,562 S	*	8/2015	Cahill	D8/363
D736,069 S	*	8/2015	Gilbert	D8/363

* cited by examiner

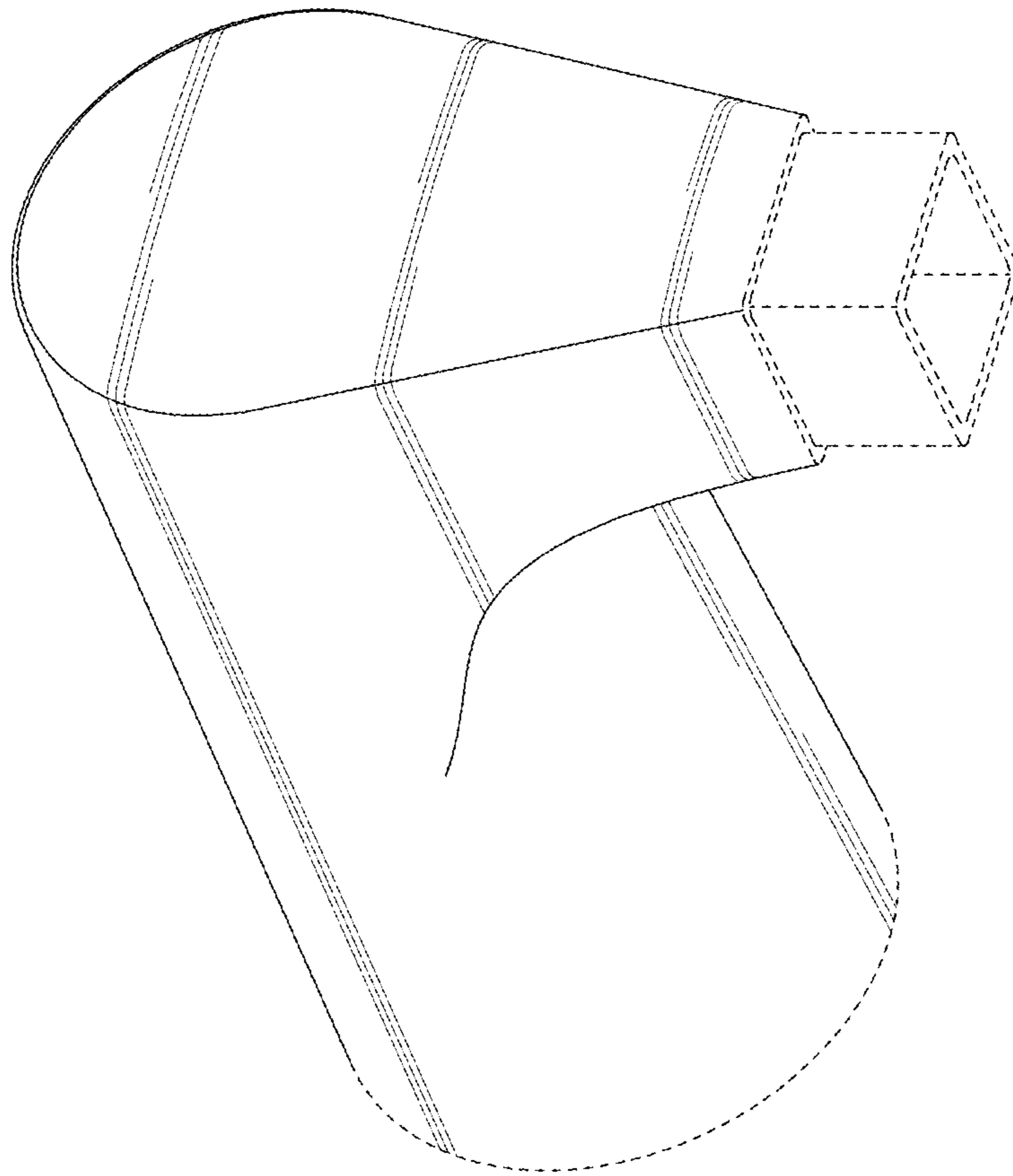


FIG. 1

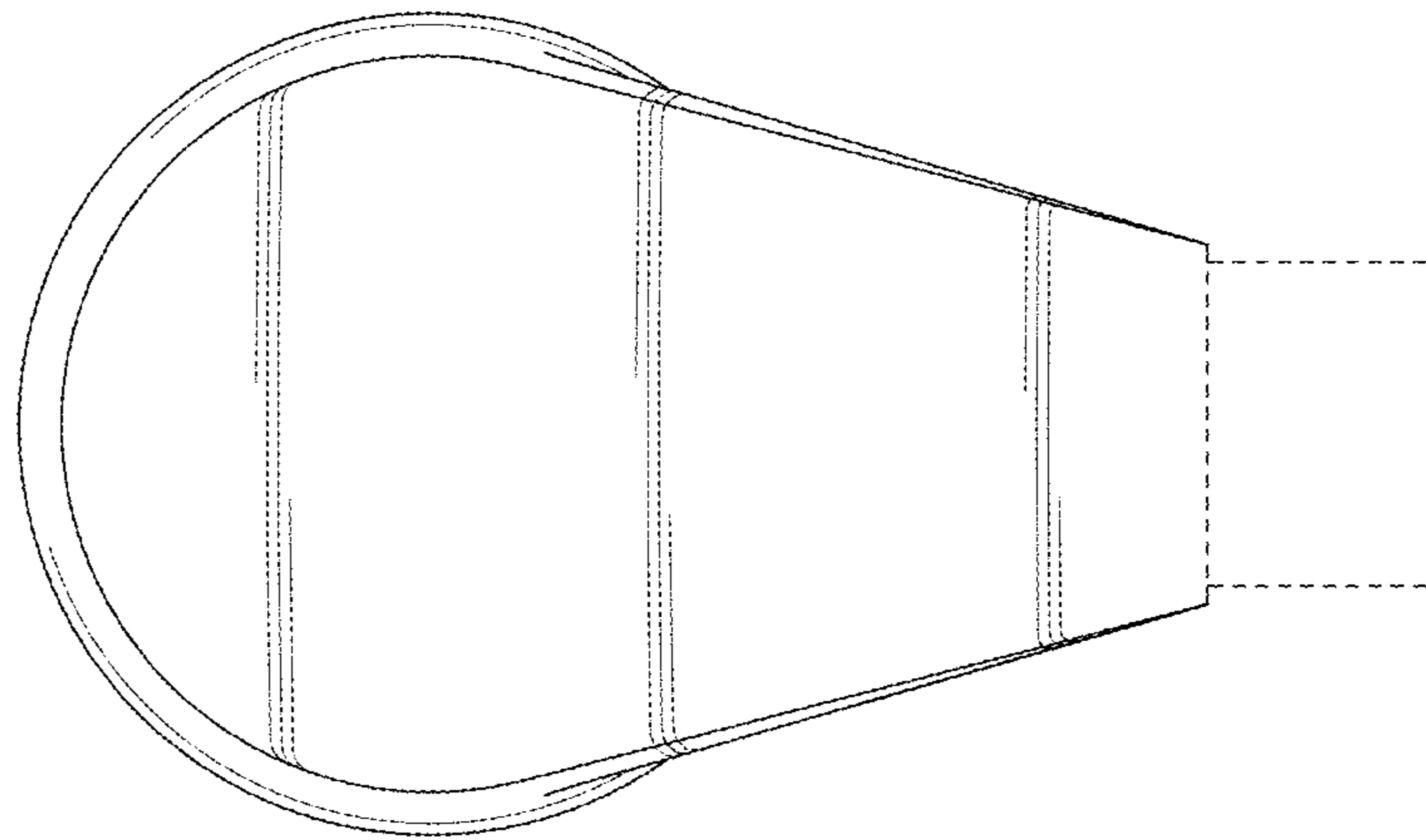


FIG. 2

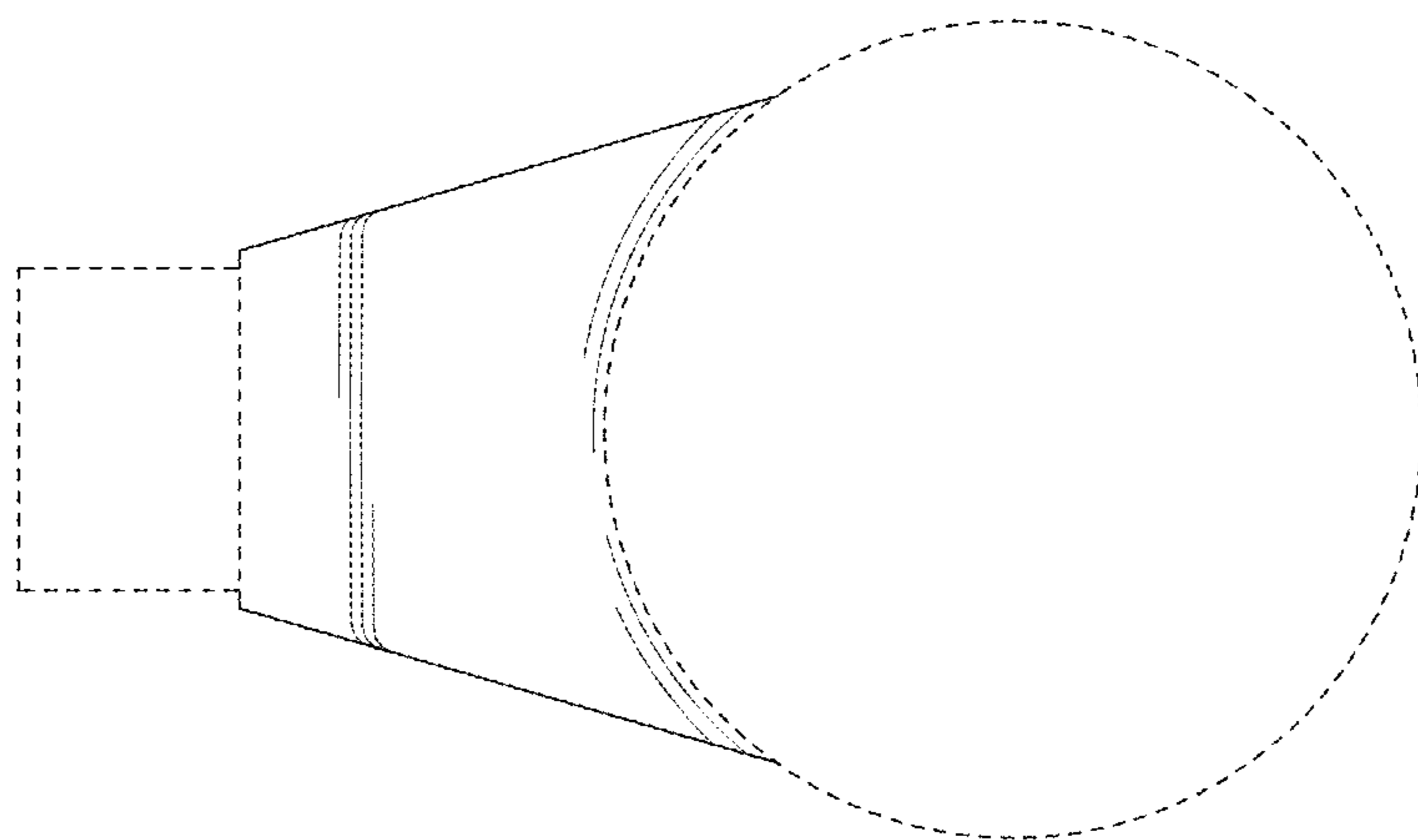


FIG. 3

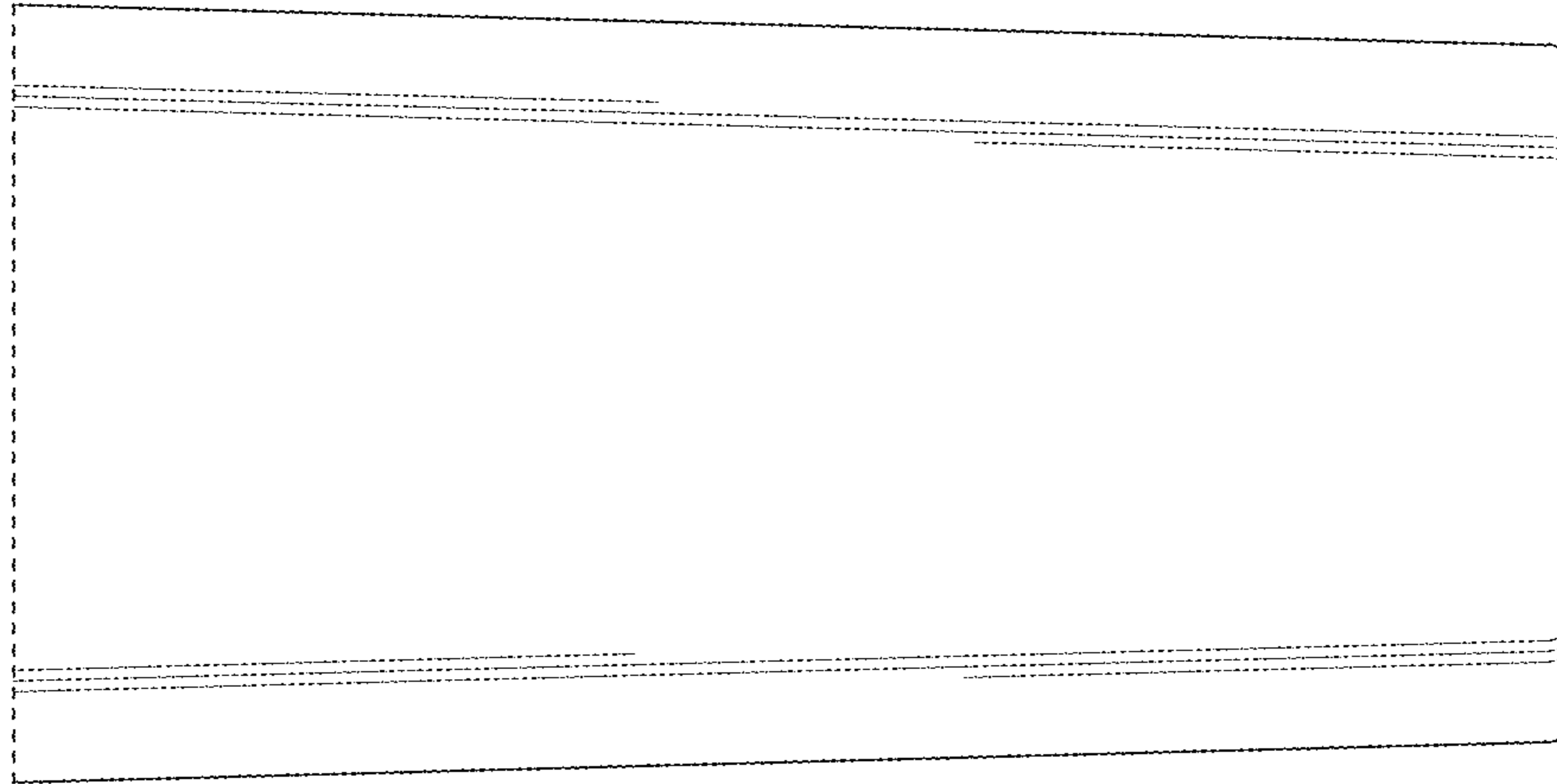


FIG. 4

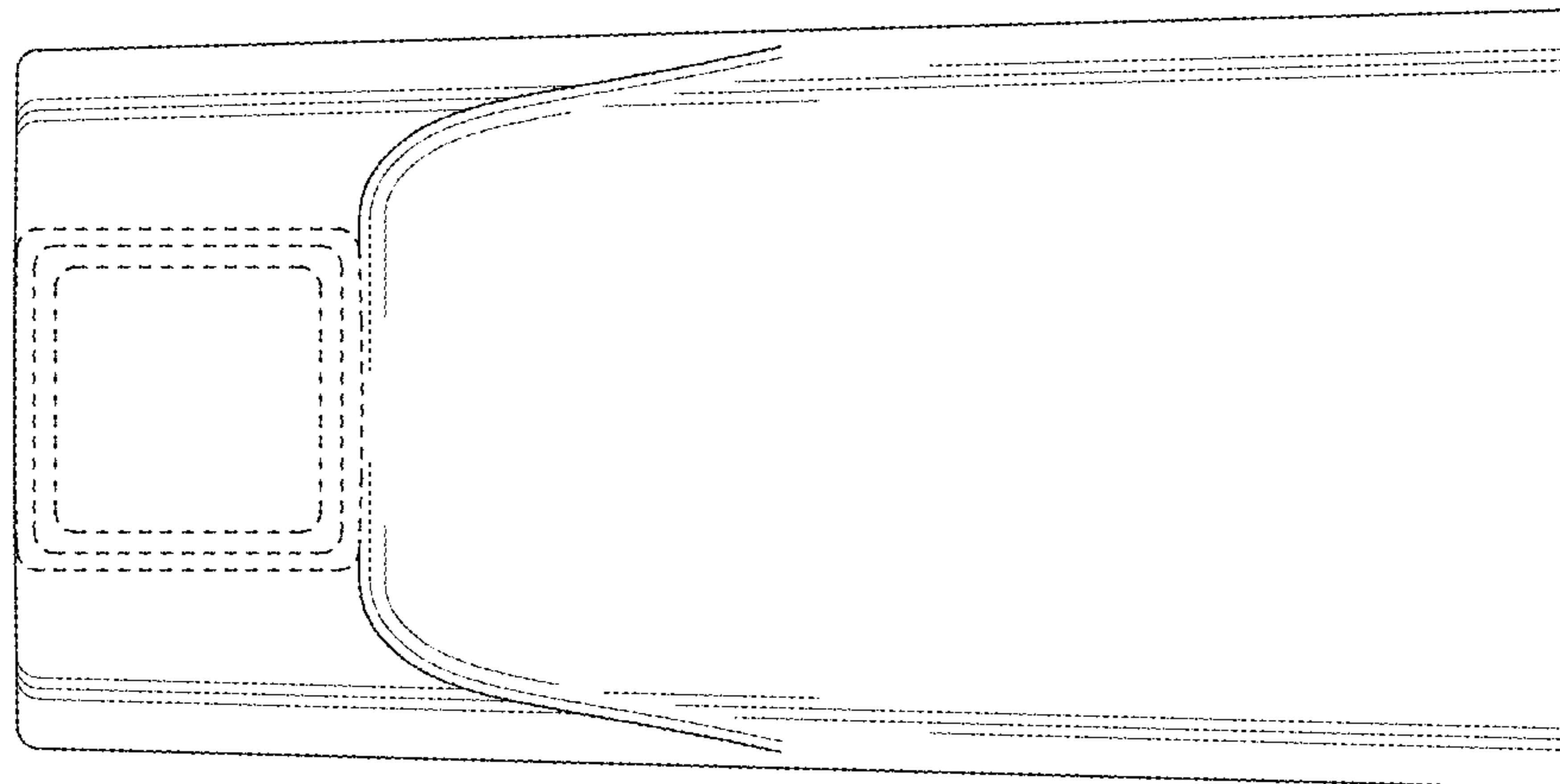


FIG. 5

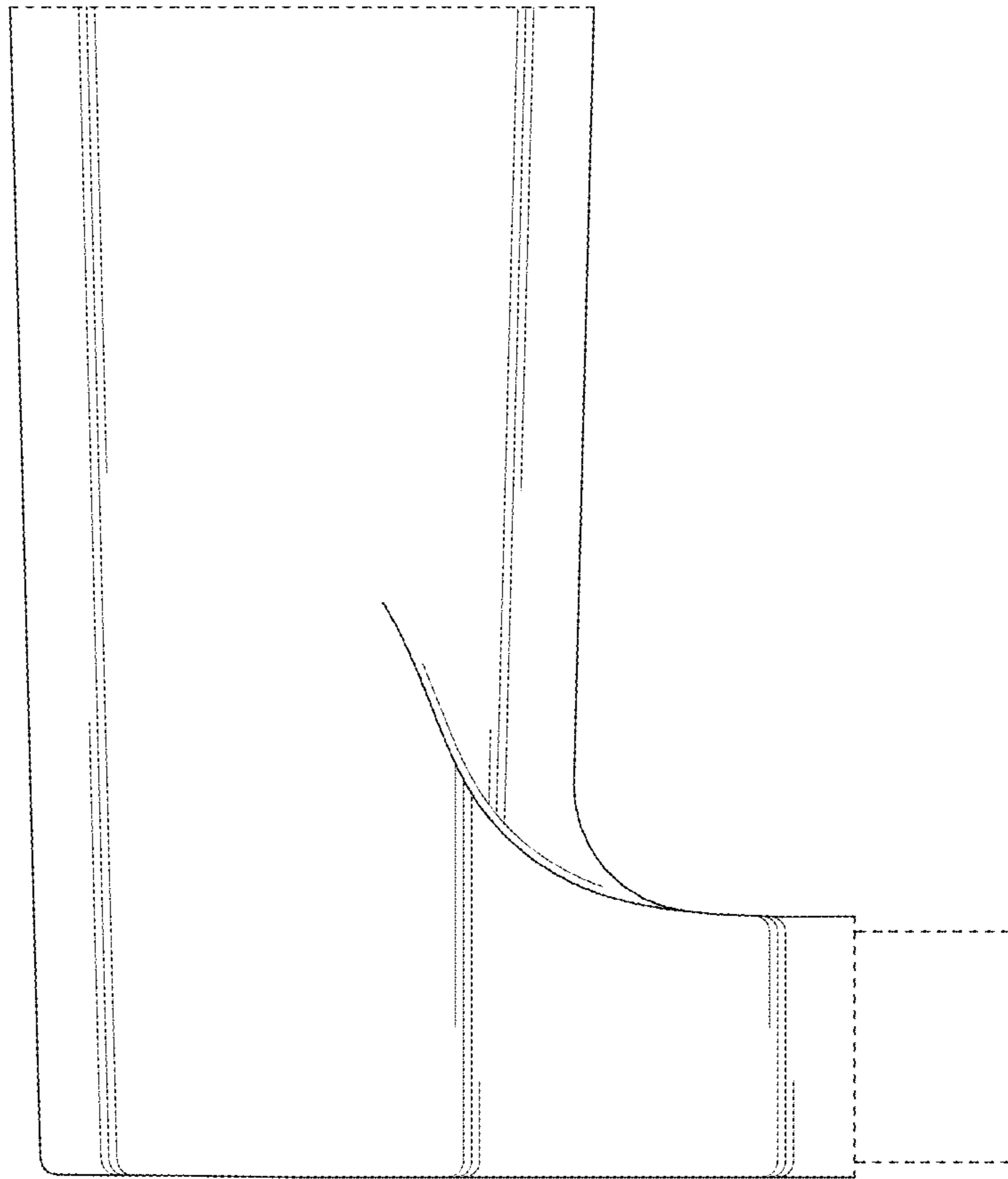


FIG. 6