



US00D773203S

(12) **United States Design Patent** (10) **Patent No.:** **US D773,203 S**  
**Gilbert** (45) **Date of Patent:** **\*\* Dec. 6, 2016**

(54) **ACCESSORY POST**  
(71) Applicant: **Moen Incorporated**, North Olmsted, OH (US)  
(72) Inventor: **Christopher Jon Gilbert**, Moreland Hills, OH (US)  
(73) Assignee: **Moen Incorporated**, North Olmsted, OH (US)

D463,937 S 10/2002 Lee Wang  
D464,403 S 10/2002 Haug et al.  
D465,116 S 11/2002 Chen  
D466,734 S 12/2002 Moore  
D473,412 S 4/2003 Chou  
D478,375 S 8/2003 Hundley  
D478,754 S 8/2003 Moore  
D492,151 S 6/2004 Chen  
D509,421 S \* 9/2005 Gehry ..... D8/300  
D516,675 S 3/2006 Kakihana  
(Continued)

(\*\*) Term: **14 Years**

**FOREIGN PATENT DOCUMENTS**

(21) Appl. No.: **29/510,603**

CA 14426 12/1945  
CA 58546 4/1987

(22) Filed: **Dec. 1, 2014**

(Continued)

(51) **LOC (10) Cl.** ..... **23-02**

*Primary Examiner* — Wan Laymon

(52) **U.S. Cl.**

*Assistant Examiner* — Mark Booker

USPC ..... **D6/524; D6/550**

(74) *Attorney, Agent, or Firm* — Calfee, Halter &

(58) **Field of Classification Search**

Griswold LLP

USPC ..... D6/524, 528-531, 534, 550,  
518-523, D6/546-549; D8/300, 370, 315;  
108/28-29; 211/13.1, 16, 85.5, 86.01,  
87.01, 88.04, 211/100, 105.1, 105.2, 106,  
113, 123, 181.1, 211/182-183; 248/49,  
175, 176.1, 200, 201, 248/205.1, 251,  
302, 309.1, 315; 242/570, 590,  
242/595-598

(57) **CLAIM**

CPC ..... A47K 5/02; A47K 10/10  
See application file for complete search history.

The ornamental design for an accessory post, as shown and described.

**DESCRIPTION**

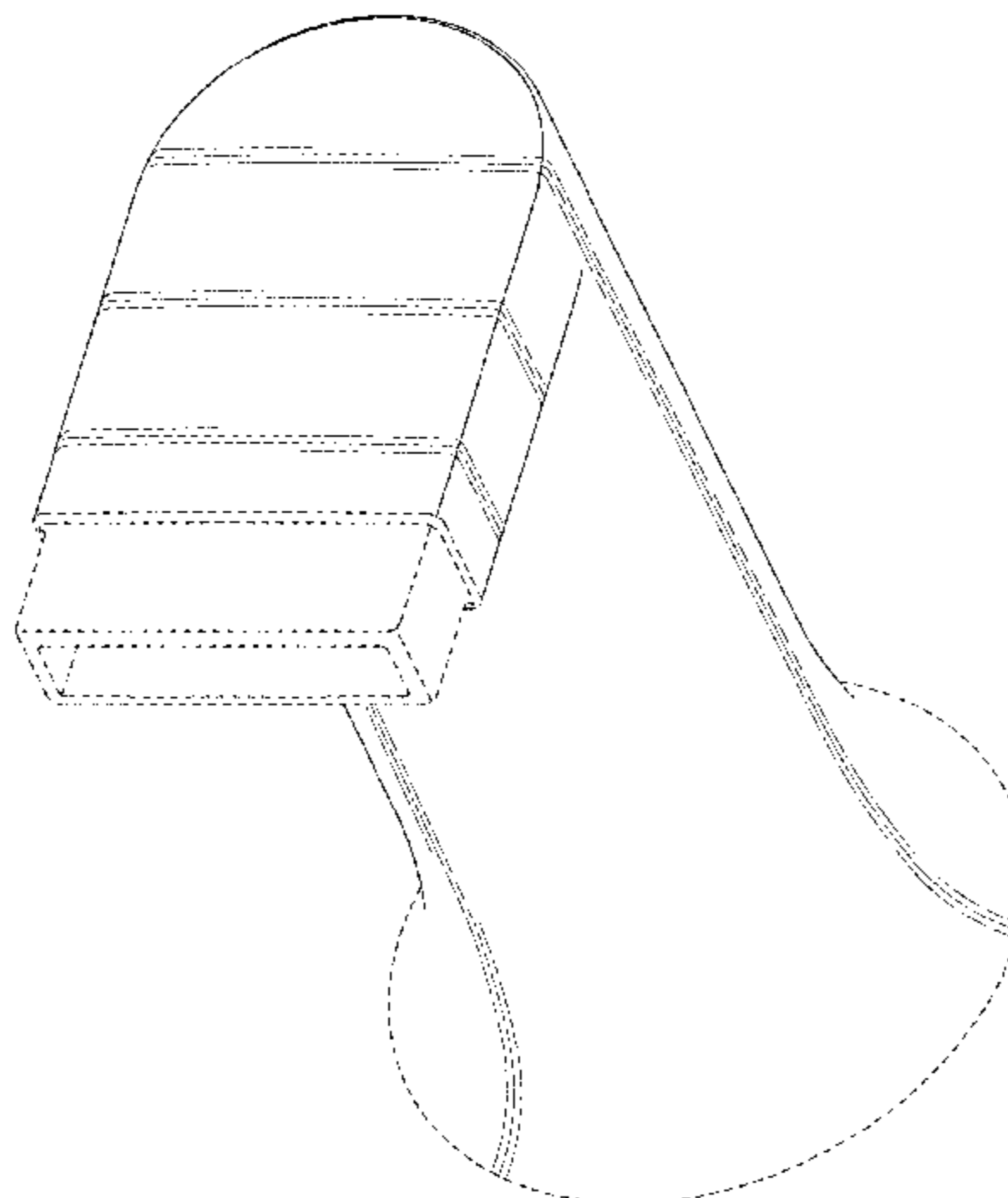
(56) **References Cited**

**U.S. PATENT DOCUMENTS**

D144,011 S 2/1946 Van Doren  
D150,751 S 8/1948 Bozoti  
D150,771 S 8/1948 Iskyan  
2,542,941 A 2/1951 Post  
D163,444 S 5/1951 Crook  
5,186,427 A 2/1993 Semchuck  
D357,841 S 5/1995 Lehn et al.  
D416,419 S 11/1999 Chen  
D425,348 S 5/2000 Chen  
D431,139 S 9/2000 Chen

FIG. 1 is a perspective view of an accessory post of the new design;  
FIG. 2 is a front elevational view of the accessory post of FIG. 1;  
FIG. 3 is a rear elevational view of the accessory post of FIG. 1;  
FIG. 4 is a left side elevational view of the accessory post of FIG. 1;  
FIG. 5 is a right side elevational view of the accessory post of FIG. 1; and,  
FIG. 6 is a top plan view of the accessory post of FIG. 1, the bottom plan view being a mirror image thereof.  
The portions of the Figures shown in broken lines are not part of the claimed design and are for illustration only.

**1 Claim, 4 Drawing Sheets**



(56)

References Cited

U.S. PATENT DOCUMENTS

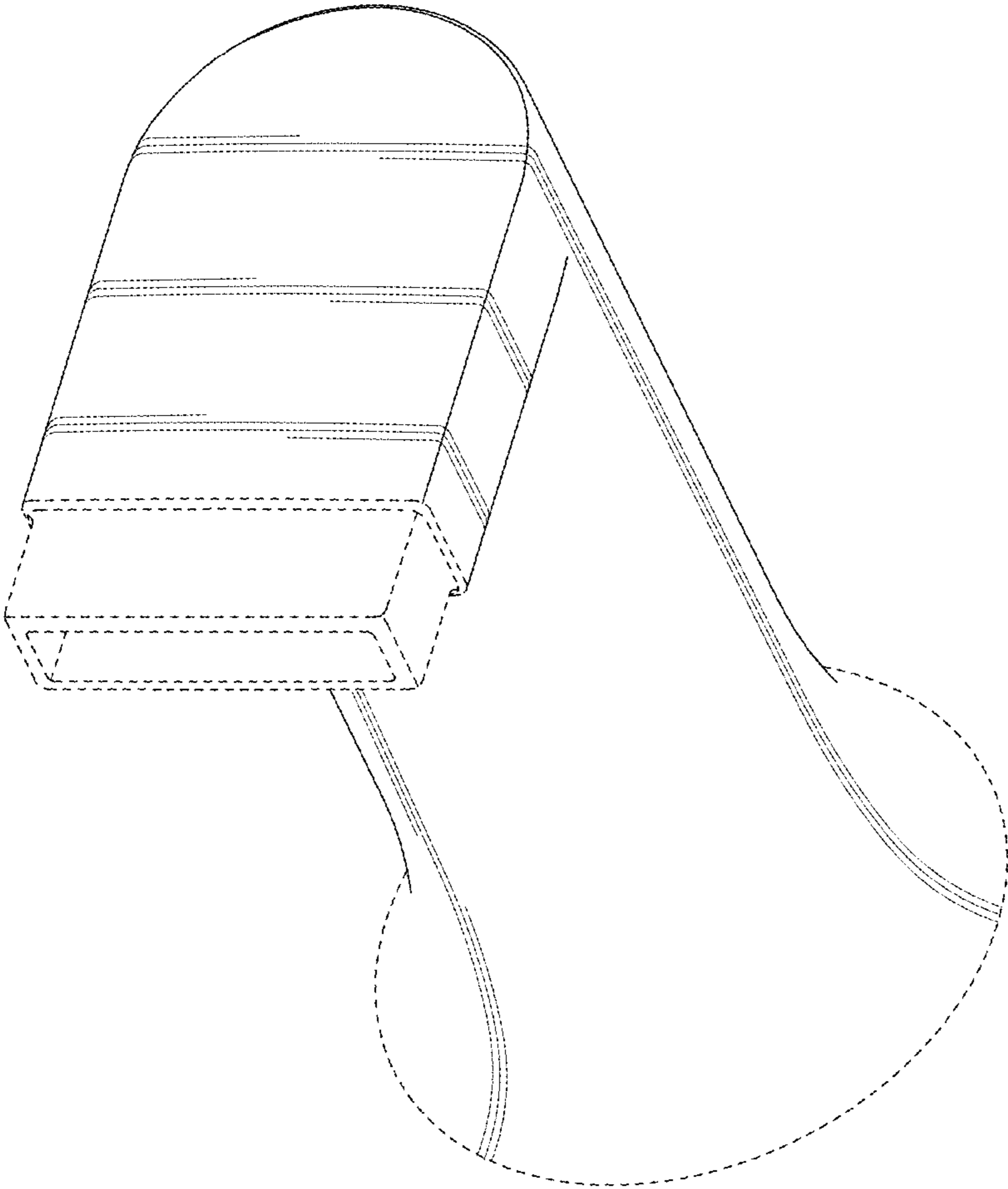
D523,525 S	6/2006	Hoernig	
D524,913 S	7/2006	Chu et al.	
D540,087 S	4/2007	Barry	
D544,263 S	6/2007	Kakahana	
D546,606 S	7/2007	Berberet	
D550,010 S	9/2007	Gilbert	
D557,049 S	12/2007	Sedwick et al.	
D581,023 S	* 11/2008	Citterio .....	D23/252
D603,938 S	11/2009	Schoenherr et al.	
D605,935 S	12/2009	Zeyfang	
D617,894 S	6/2010	Wright	
D624,160 S	9/2010	Wang	
D633,736 S	3/2011	Sedwick	
D634,815 S	3/2011	Barry	
D635,230 S	3/2011	Barry	
D635,381 S	4/2011	Kim	
D637,700 S	5/2011	Antoniello	
D645,942 S	* 9/2011	Flowers .....	D23/250
D655,547 S	3/2012	Domanski	
D661,532 S	6/2012	Chen	
D664,387 S	7/2012	Kennedy	
D666,040 S	8/2012	Sedwick	
D668,490 S	10/2012	Yoo	
D701,707 S	4/2014	Georgeson	
D704,805 S	5/2014	Hahn et al.	
D706,056 S	6/2014	Georgeson	
D735,562 S	* 8/2015	Cahill .....	D8/363
D736,069 S	* 8/2015	Gilbert .....	D8/363

FOREIGN PATENT DOCUMENTS

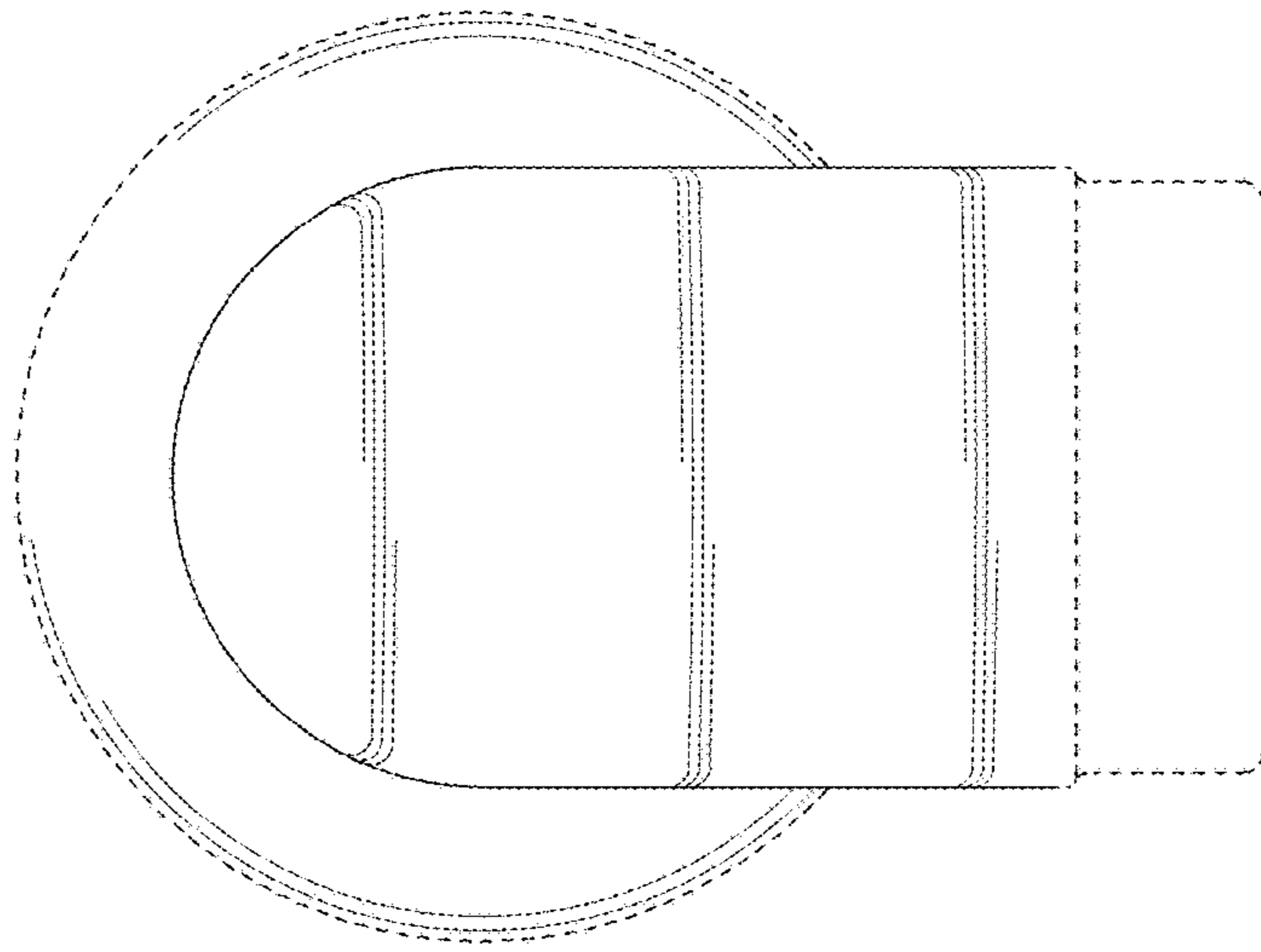
CA	68341	4/1991
CA	68767	6/1991
CA	68769	6/1991
CA	68772	6/1991
CA	96312	7/2002
CA	99755	7/2003
CA	99572	8/2003
CA	109892	6/2006
CA	109893	6/2006
CA	109895	6/2006
CA	113459	9/2006
CA	109035	2/2007
CA	109036	2/2007
CA	116533	2/2007
CA	116534	2/2007
CA	116535	2/2007
CA	116536	2/2007
CA	116545	2/2007
CA	115827	6/2007
CA	111582	8/2007
CA	114541	8/2007

CA	114542	8/2007
CA	116795	8/2007
CA	120526	9/2007
CA	117947	10/2007
CA	115375	1/2008
CA	117221	2/2008
CA	128123	11/2009
CA	131608	11/2009
CA	130732	4/2010
CA	114695	8/2010
CA	137988	6/2011
CA	137989	6/2011
CA	137990	6/2011
CA	139605	9/2011
CA	144147	9/2012
CA	144148	9/2012
CA	144150	9/2012
CA	144151	9/2012
CA	142598	1/2013
CA	147708	5/2013
CA	147527	2/2014
CA	147528	2/2014
CA	147530	2/2014
CA	152137	4/2014
MX	753	1/1979
MX	12696	7/2001
MX	14629	12/2002
MX	15521	9/2003
MX	15528	9/2003
MX	15559	9/2003
MX	17006	10/2004
MX	17030	10/2004
MX	17059	11/2004
MX	17060	11/2004
MX	17875	5/2005
MX	18614	8/2005
MX	18745	9/2005
MX	19796	11/2005
MX	20590	3/2006
MX	20617	4/2006
MX	22433	3/2007
MX	23194	6/2007
MX	23879	9/2007
MX	23896	9/2007
MX	24215	10/2007
MX	24217	10/2007
MX	26523	3/2008
MX	26459	6/2008
MX	27337	12/2008
MX	31678 B	9/2010
MX	31693 B	9/2010
MX	38867 B	5/2013
MX	39237 B	7/2013
MX	39668 B	9/2013
MX	39880 B	9/2013

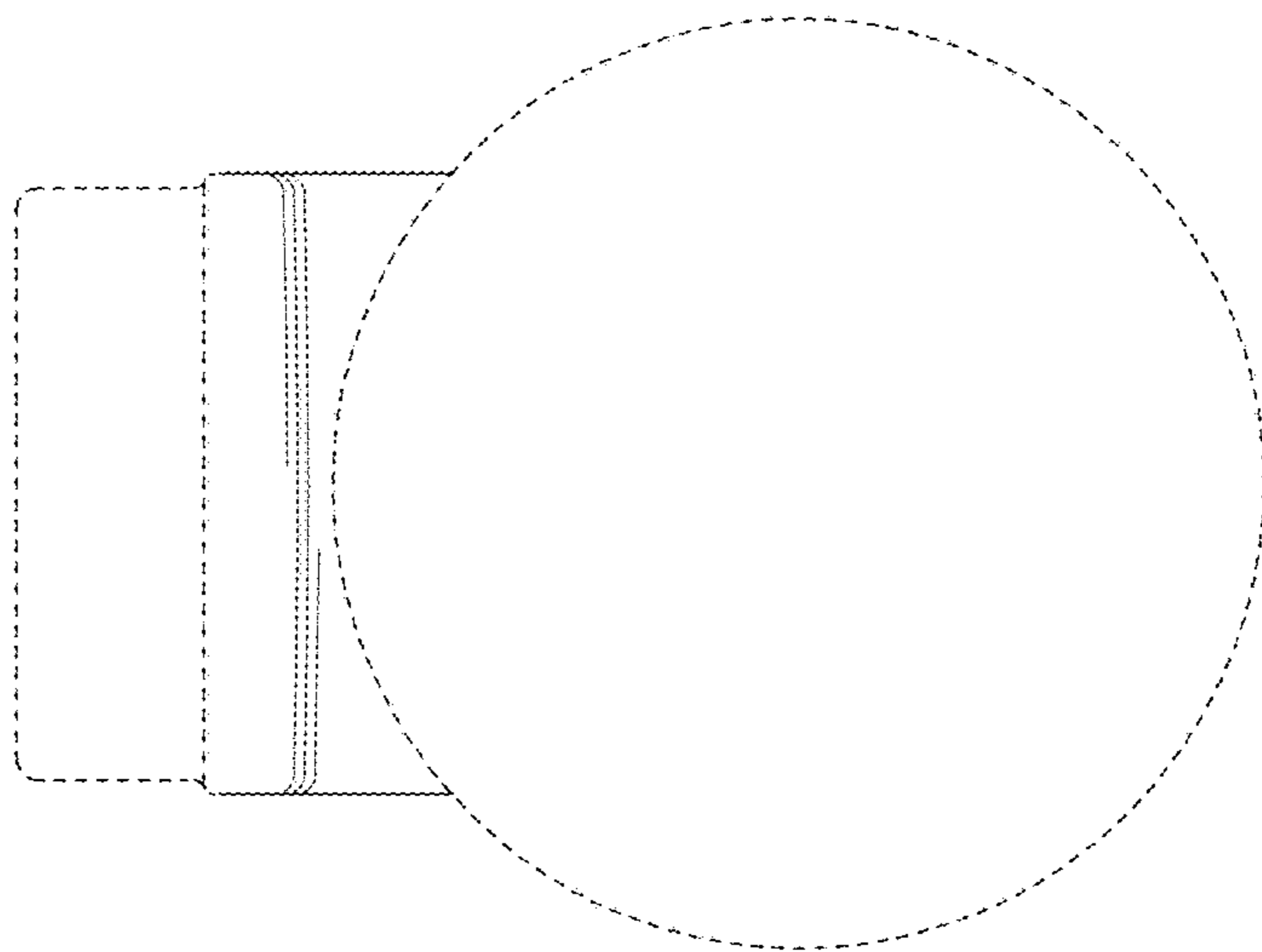
\* cited by examiner



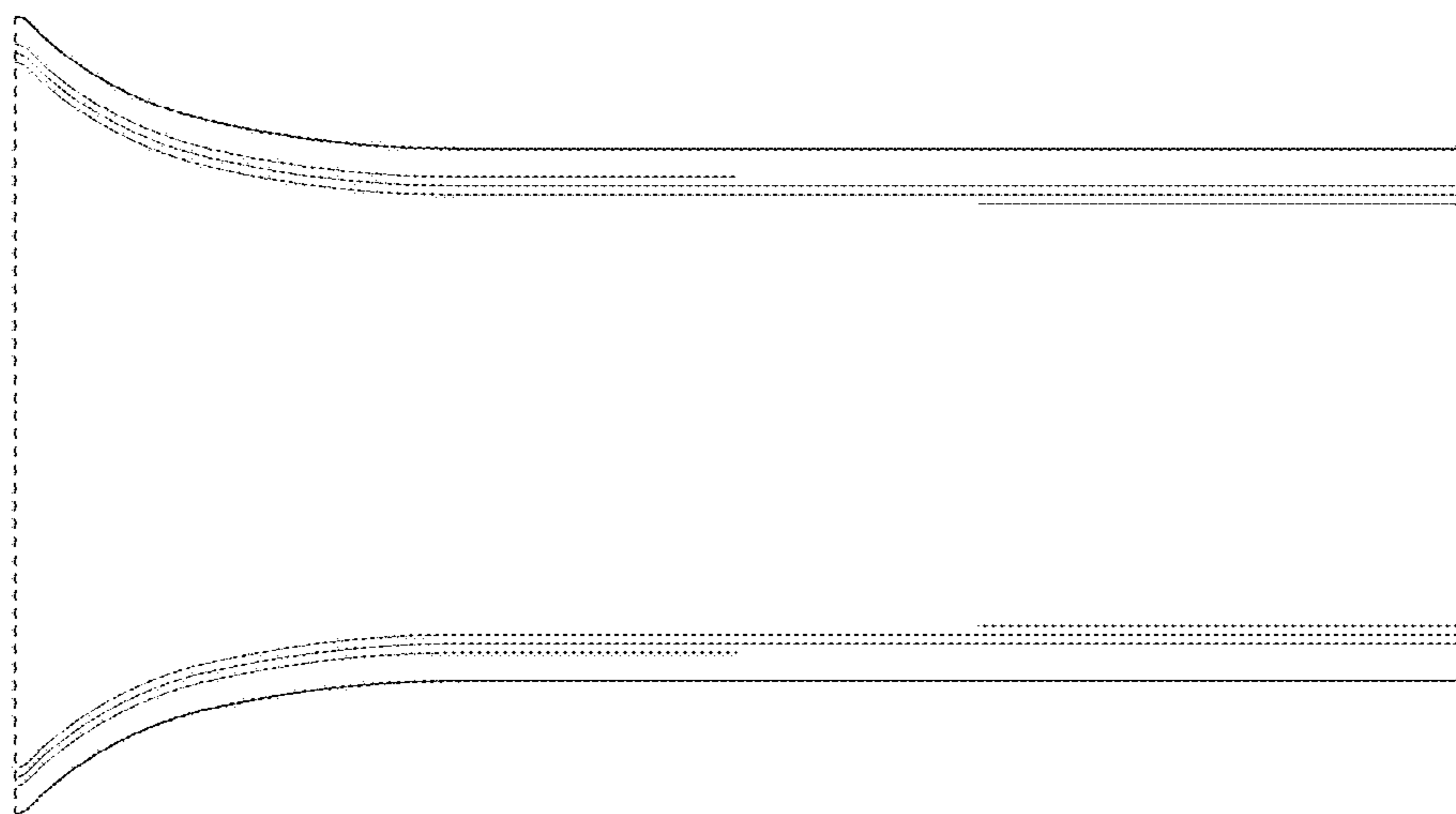
**FIG. 1**



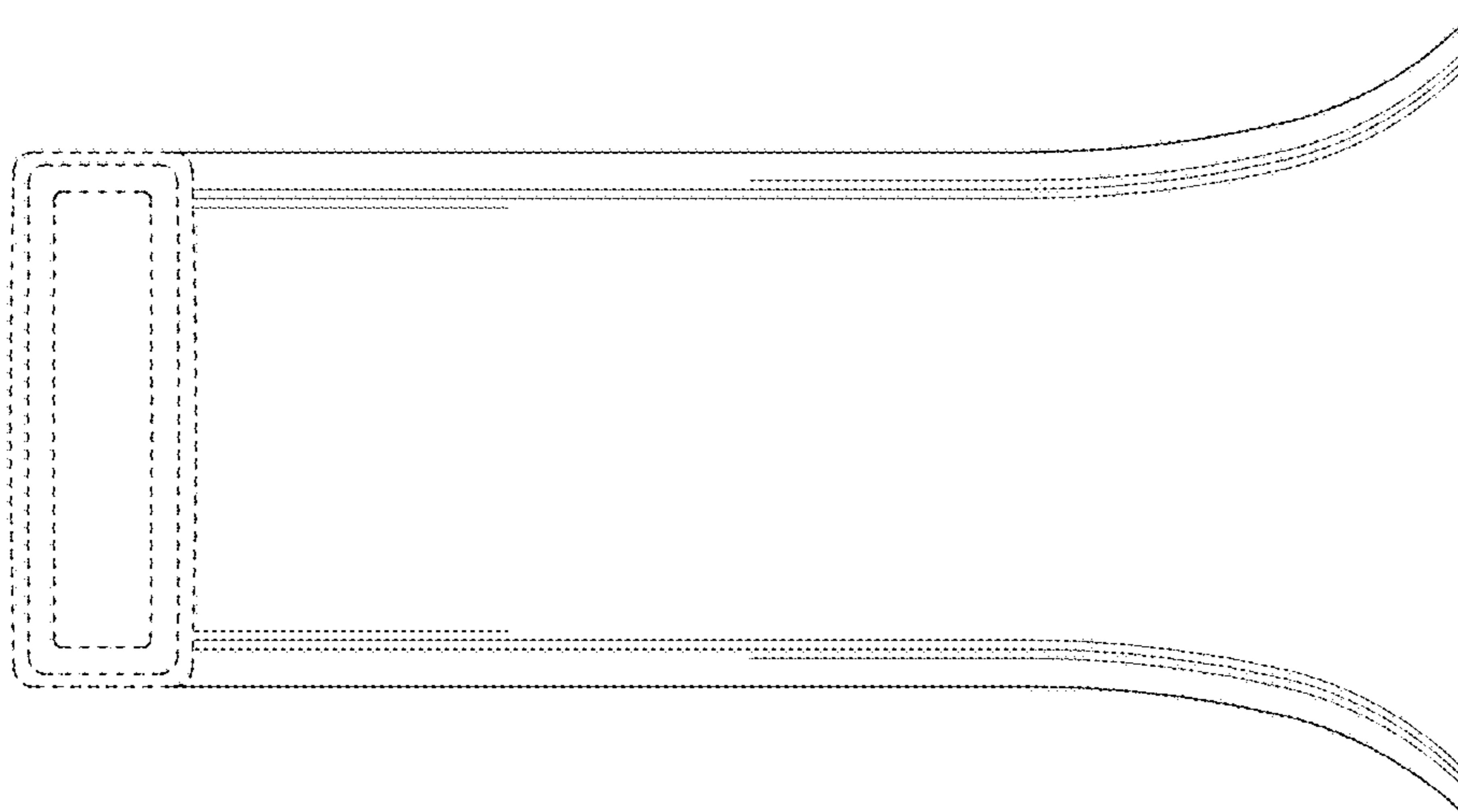
**FIG. 2**



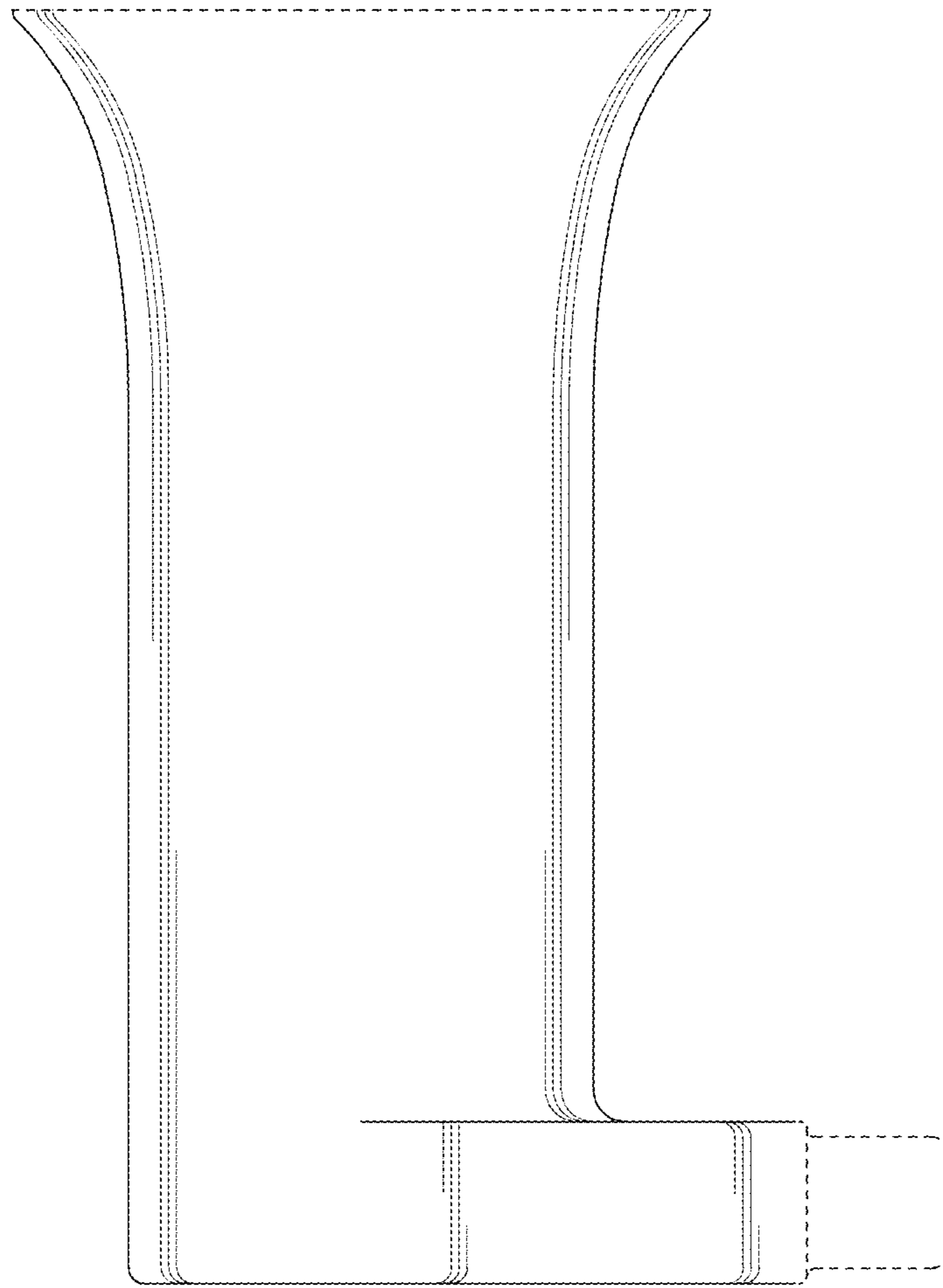
**FIG. 3**



**FIG. 4**



**FIG. 5**



**FIG. 6**