



US00D773202S

(12) **United States Design Patent** (10) **Patent No.:** **US D773,202 S**  
**Madsen et al.** (45) **Date of Patent:** **\*\* Dec. 6, 2016**

- (54) **DISPENSER**
- (71) Applicant: **Georgia-Pacific Consumer Products LP**, Atlanta, GA (US)
- (72) Inventors: **Nickolas Everett Madsen**, Atlanta, GA (US); **Joel Eric Tetreault**, Roswell, GA (US)
- (73) Assignee: **Georgia-Pacific Consumer Products LP**, Atlanta, GA (US)
- (\*\*) Term: **15 Years**
- (21) Appl. No.: **29/539,547**
- (22) Filed: **Sep. 15, 2015**
- (51) **LOC (10) Cl.** ..... **06-04**
- (52) **U.S. Cl.**  
USPC ..... **D6/518**
- (58) **Field of Classification Search**  
USPC ..... D6/515–518, 553, 542–545, 567, 574; 206/225, 233, 389, 391, 77.1; 211/13.1, 211/173, 180, 45, 86.01, 87.02, 87.01; 221/26, 221/33, 282, 283, 14, 92, 105; 222/173, 180, 222/281–282; 242/570, 590; 248/309.1, 309.2, 248/905  
CPC ... A47K 10/40; A47K 10/38; A47K 2010/324  
See application file for complete search history.

- D447,657 S 9/2001 Fisscher  
D447,898 S 9/2001 Fisscher  
D448,223 S 9/2001 Fisscher  
D450,963 S \* 11/2001 Phelps ..... D6/522  
6,412,679 B2 7/2002 Formon et al.  
6,446,901 B1 \* 9/2002 Haen ..... A47K 10/36  
225/12  
6,695,246 B1 2/2004 Elliott et al.  
6,903,654 B2 \* 6/2005 Hansen ..... A47K 10/36  
242/563  
6,977,588 B2 \* 12/2005 Schotz ..... A47K 10/36  
242/570  
D522,781 S 6/2006 Wieser et al.  
D525,063 S 7/2006 Woods et al.  
(Continued)

- (56) **References Cited**
- U.S. PATENT DOCUMENTS
- D156,646 S 12/1949 Mell  
D312,179 S 11/1990 De Luca et al.  
D312,369 S 11/1990 De Luca et al.  
D363,628 S 10/1995 McCanless  
D387,597 S \* 12/1997 Kearnes ..... D6/545  
6,105,898 A 8/2000 Byrd et al.  
D441,228 S 5/2001 Andersson  
D441,578 S 5/2001 Andersson  
D446,065 S 8/2001 Andersson  
D447,372 S 9/2001 Fisscher  
D447,373 S \* 9/2001 Fisscher ..... D6/518

OTHER PUBLICATIONS

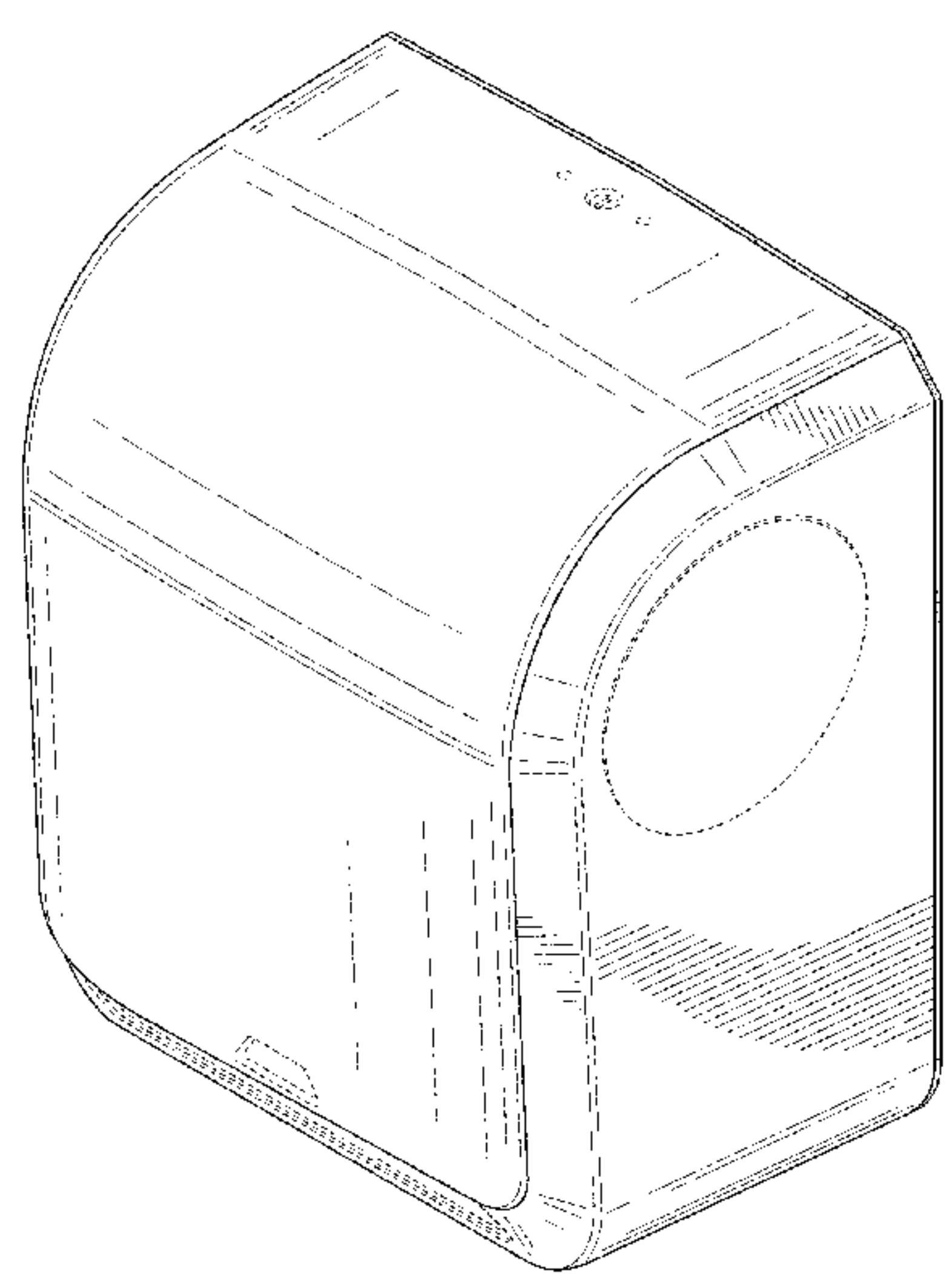
Office Action for corresponding U.S. Appl. No. 29/539,546 dated Apr. 26, 2016.  
(Continued)  
*Primary Examiner* — David Muller  
*Assistant Examiner* — Nathan Johnston  
(74) *Attorney, Agent, or Firm* — Alston & Bird LLP

(57) **CLAIM**  
We claim the ornamental design for a dispenser, as shown and described.

DESCRIPTION

FIG. 1 is a perspective view of a dispenser showing our new design;  
FIG. 2 is a front elevation view thereof;  
FIG. 3 is a rear elevation view thereof;  
FIG. 4 is a right side elevation view thereof;  
FIG. 5 is a left side elevation view thereof;  
FIG. 6 is a top plan view thereof; and,  
FIG. 7 is a bottom plan view thereof.  
The broken lines are directed to unclaimed features and form no part of the claimed design.

1 Claim, 6 Drawing Sheets



(56)

References Cited

U.S. PATENT DOCUMENTS

D525,465	S	7/2006	Omdoll et al.	
D530,125	S	10/2006	Vignot	
D568,655	S	5/2008	Friesen et al.	
D570,142	S	6/2008	Lin	
D579,250	S	10/2008	Cittadino et al.	
D583,174	S	12/2008	Kuehneman et al.	
D619,835	S	7/2010	Goeking et al.	
D619,836	S	7/2010	Kim	
D619,838	S	7/2010	Kim	
D620,733	S	8/2010	Denis et al.	
D623,452	S	9/2010	McNelly et al.	
D634,953	S	3/2011	Meyerhoffer	
D641,578	S	7/2011	Meyerhoffer	
D641,740	S	7/2011	Jeon et al.	
D644,468	S *	9/2011	Hansen .....	D6/522
D654,741	S *	2/2012	Hansen .....	D6/522
D664,795	S	8/2012	Cattacin et al.	
D664,796	S	8/2012	Cattacin et al.	
D666,035	S *	8/2012	Velazquez .....	D6/518
D674,223	S	1/2013	Green et al.	
D675,047	S *	1/2013	Green .....	D6/518
D681,987	S *	5/2013	Cittadino .....	D6/518
D687,651	S	8/2013	Niada	
D695,542	S	12/2013	Niada	
D699,048	S *	2/2014	Paal .....	D6/545
D711,663	S	8/2014	Walters	
D719,373	S	12/2014	Hawry et al.	
D727,652	S	4/2015	Sun Ting Kung et al.	
2012/0085780	A1	4/2012	Landauer	
2014/0253334	A1	9/2014	Hanlin et al.	
2015/0157177	A1 *	6/2015	Carper .....	A47K 10/3687 242/570

OTHER PUBLICATIONS

*Amazon.com: Georgia Pacific Enmotion 59488 Impulse 10 Automated Touchless Paper Towel Dispenser, Translucent Smoke: Industrial & Scientific* [online][retrieved Dec. 14, 2015]. Retrieved from the Internet: <URL: [http://www.amazon.com/59488-automated-touchless-dispenser-translucent/dp/b0032lrhza/ref=pd\\_sim\\_328\\_4?ie=UTF8&dpID=41DC-4wkQtL&dpSrc=si](http://www.amazon.com/59488-automated-touchless-dispenser-translucent/dp/b0032lrhza/ref=pd_sim_328_4?ie=UTF8&dpID=41DC-4wkQtL&dpSrc=si)> 6 pages.

*Cormatic® Roll Towels & Dispensers*[online][retrieved Dec. 14, 2015]. Retrieved from the Internet: <URL: <http://catalog.gppro.com/catalog/6172>> 1 page.

*enMotion® Automated paper Towel Dispensers* [online][retrieved Dec. 14, 2015]. Retrieved from the Internet: <URL: <http://catalog.gppro.com/catalog/6191>> 1 page.

*enMotion® Classic Wall Mount Towel Dispensers*[online][retrieved Dec. 14, 2015]. Retrieved from the Internet: <URL: <http://catalog.gppro.com/catalog/6387?filter=FULL>> 2 pages.

*enMotion® paper towel loading and roll transfer—YouTube*[online][retrieved Dec. 14, 2015]. Retrieved from the Internet: <URL: <http://www.youtube.com/watch?v=YbDESkv45BA>> (Dec. 14, 2015) 1 page.

*enMotion-Brands-Georgia-Pacific Professional* [online][retrieved Dec. 14, 2015]. Retrieved from the Internet: <URL: [http://www.gppro.com/brand\\_enmotion.aspx](http://www.gppro.com/brand_enmotion.aspx)> 2 pages.

*Georgia-Pacific 58470 SofPull® Automatic Touchless Paper Towel Dispenser: Amazon.com: Electronics*[online][retrieved Dec. 14, 2015]. Retrieved from the Internet: <URL: <http://www.amazon.com/Georgia-Pacific-SofPull%C2%AE-Automatic-Touchless-Dispenser/dp/B004MDM3NS>> 8 pages.

*Georgia-Pacific® GEP58470 SofPull® Automatic Touchless paper Towel Dispenser, Staples®* [online][retrieved Dec. 14, 2015]. Retrieved from the Internet: <URL: [http://www.staples.com/Georgia-Pacific-GEP58470-SofPull-Automatic-Touchless-Paper-Towel-Dispenser/product\\_832178](http://www.staples.com/Georgia-Pacific-GEP58470-SofPull-Automatic-Touchless-Paper-Towel-Dispenser/product_832178)> 7 pages.

*SofPull® Automated Towel Dispenser for Dental Practices—YouTube*[online][retrieved Dec. 14, 2015]. Retrieved from the Internet: <URL: <http://www.youtube.com/watch?v=ER3jegDg9og>> (Aug. 4, 2015) 1 page.

*Georgia-Pacific GP 56650/01 Translucent Smoke Combination C-Fold or Multifold Paper Towel Dispenser, 11 "Widthx15.4" Heightx5.25" Depth* [online][retrieved Mar. 8, 2016]. Retrieved from the Internet: <URL: [http://www.amazon.com/Georgia-Pacific-56650-01-Translucent-Combination/dp/B01BF6D8W4/ref=sr\\_1\\_1?ie=UTF8&qid=1457468164&sr=8-1&keywords=Georgia-Pacific+GP+56650%2F01+Translucent+Smoke+Combination+C-Fold](http://www.amazon.com/Georgia-Pacific-56650-01-Translucent-Combination/dp/B01BF6D8W4/ref=sr_1_1?ie=UTF8&qid=1457468164&sr=8-1&keywords=Georgia-Pacific+GP+56650%2F01+Translucent+Smoke+Combination+C-Fold)> 8 pages.

*Georgia pacific paper towel dispenser—Google Search* [online][retrieved Mar. 9, 2016]. Retrieved from the Internet: <URL: [https://www.google.com/search?q=georgia+pacific+paper+towel+dispenser&source=Inms&tbm=isch&sa=X&ved=0ahUKEwiD4\\_HiGLTLAhWJWSYKHStmDxsQ\\_AUICSgD](https://www.google.com/search?q=georgia+pacific+paper+towel+dispenser&source=Inms&tbm=isch&sa=X&ved=0ahUKEwiD4_HiGLTLAhWJWSYKHStmDxsQ_AUICSgD)> 4 pages.

\* cited by examiner



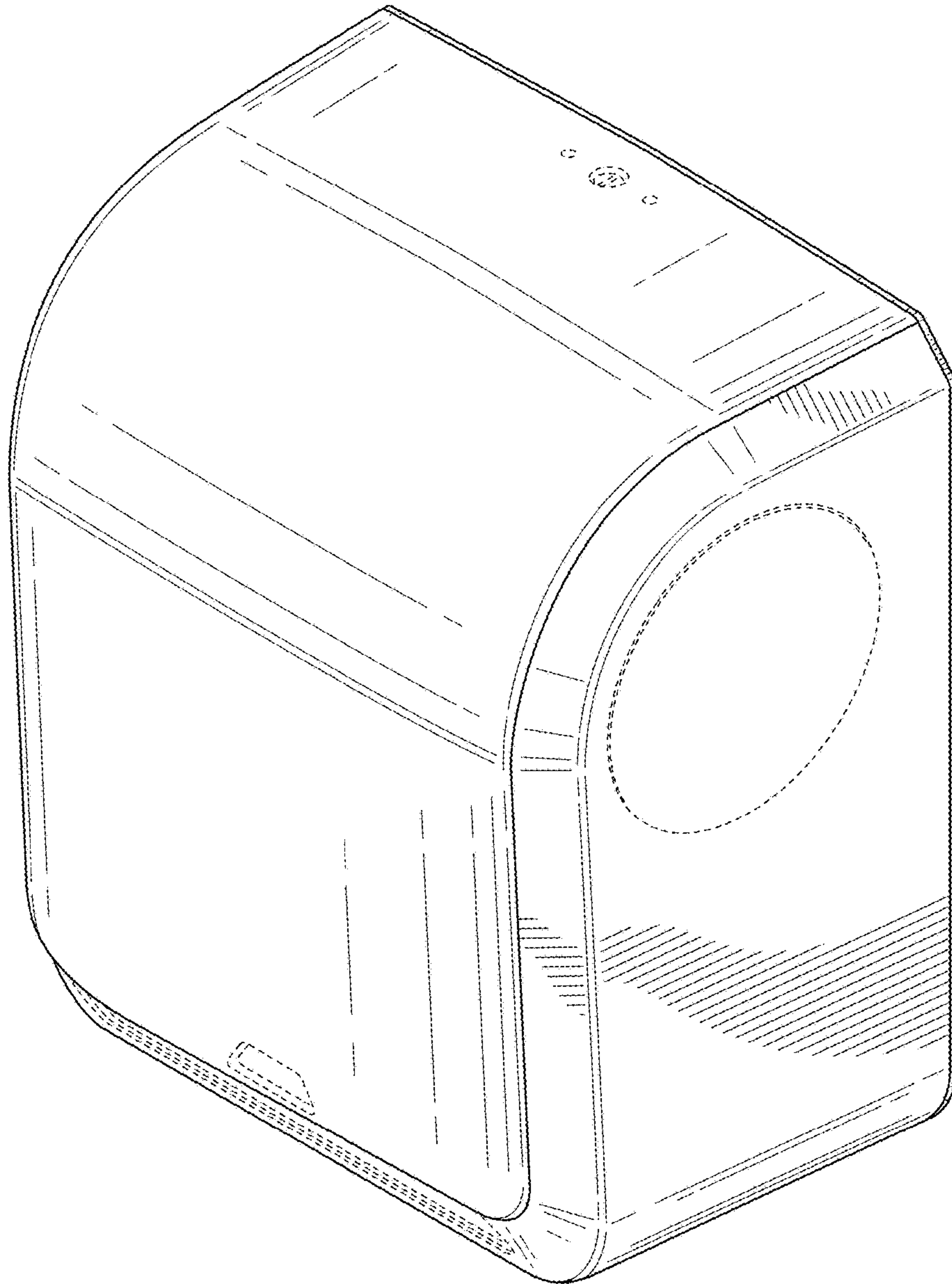


FIG. 1

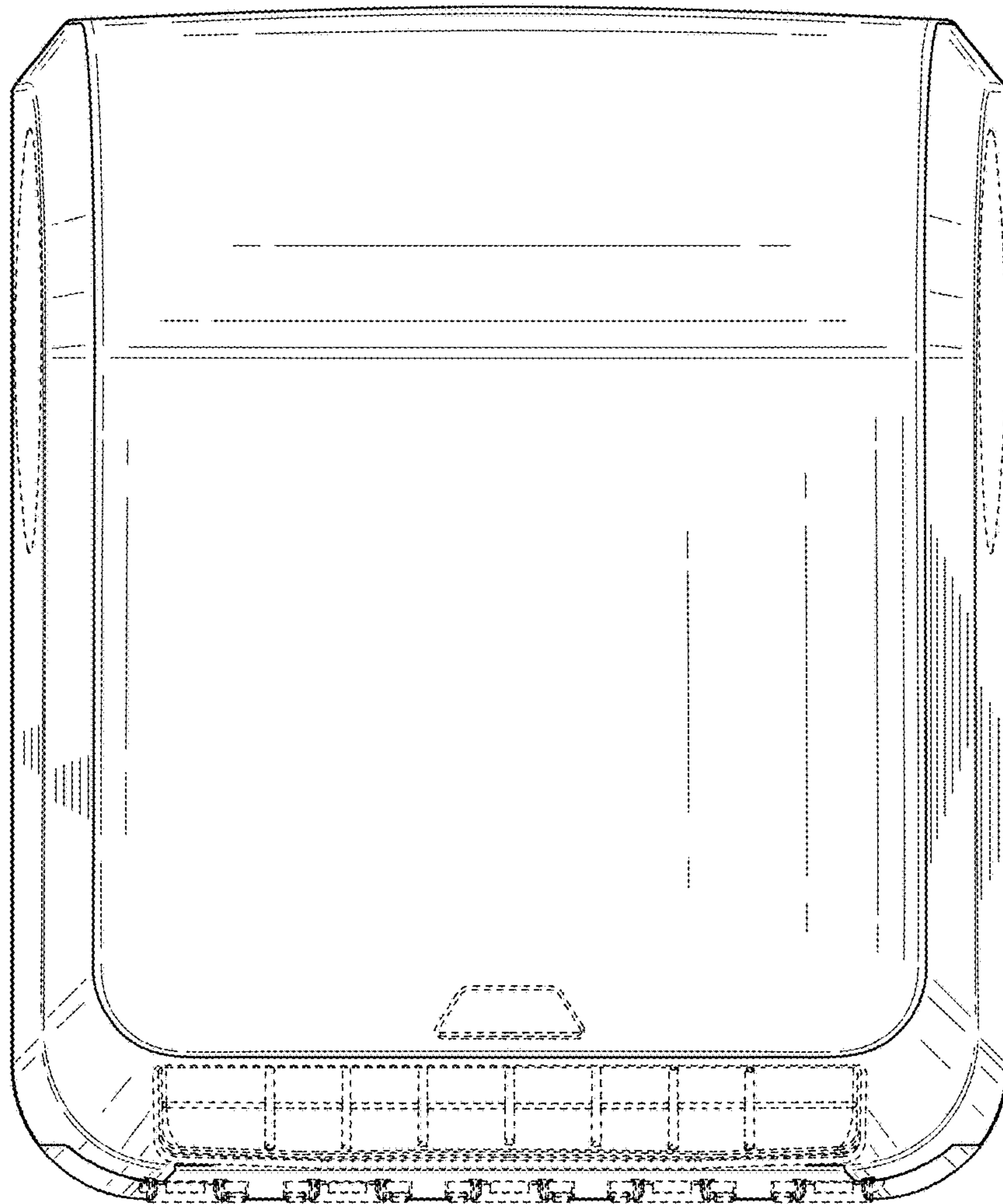


FIG. 2

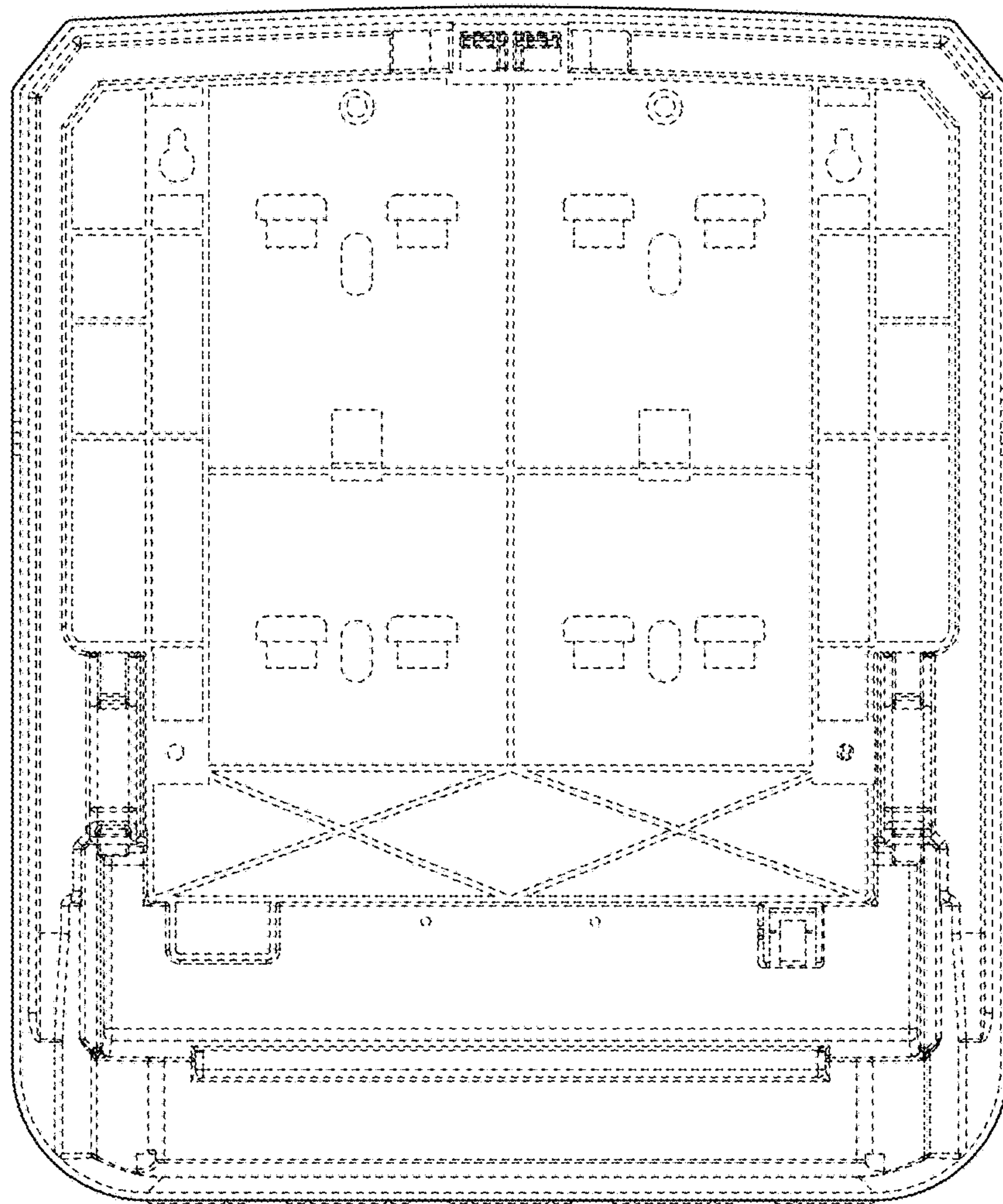


FIG. 3

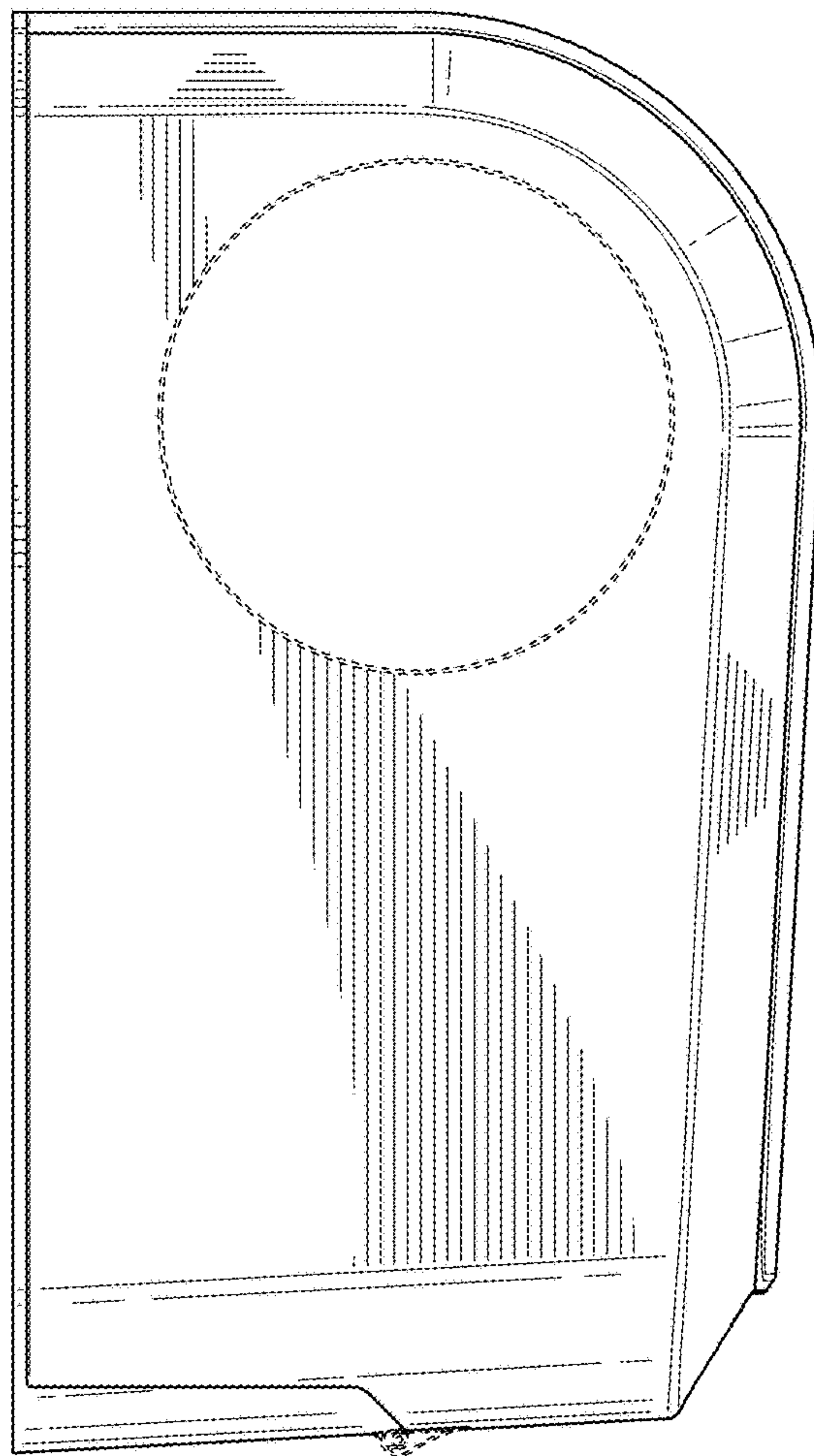
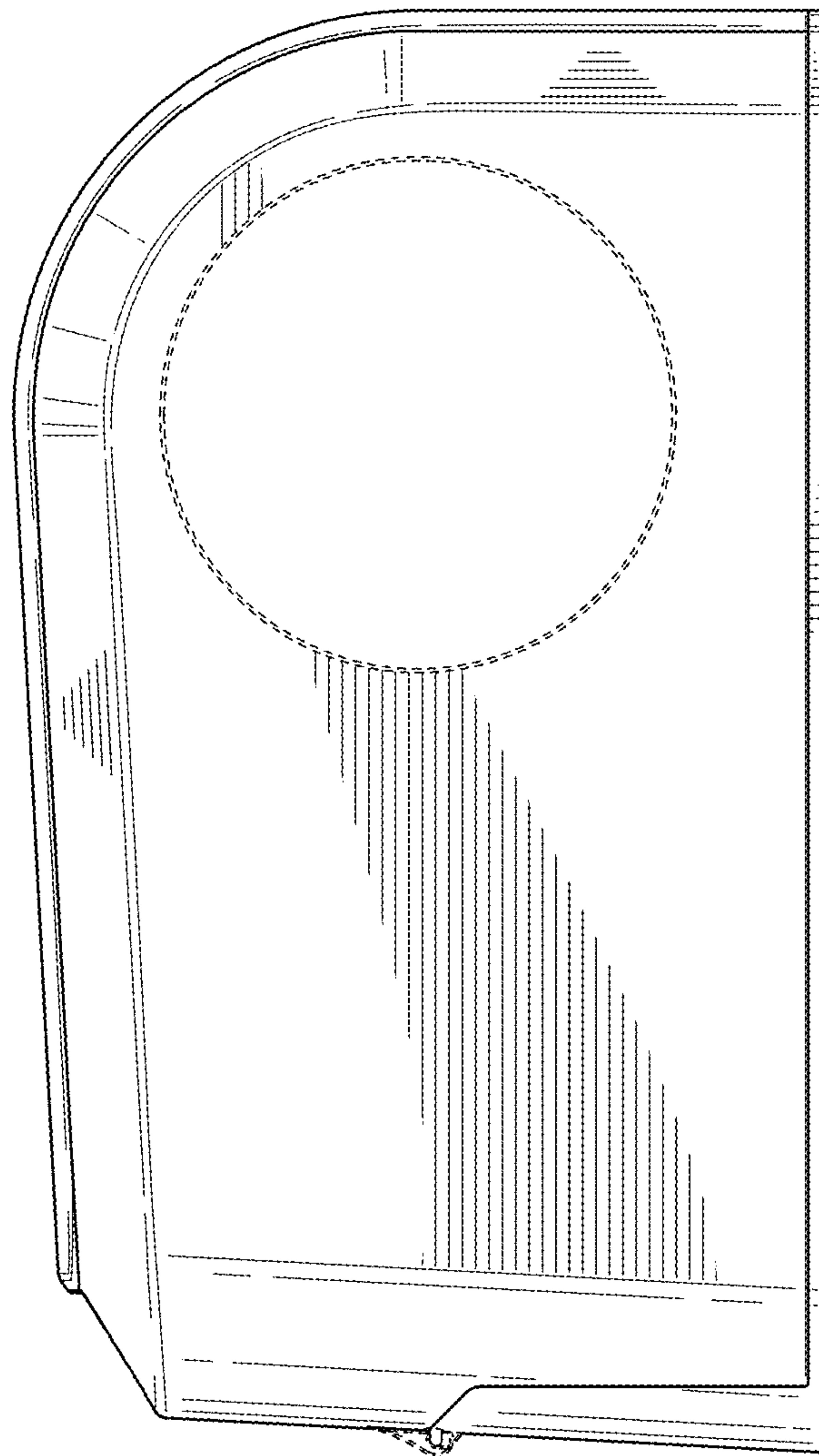


FIG. 4



**FIG. 5**



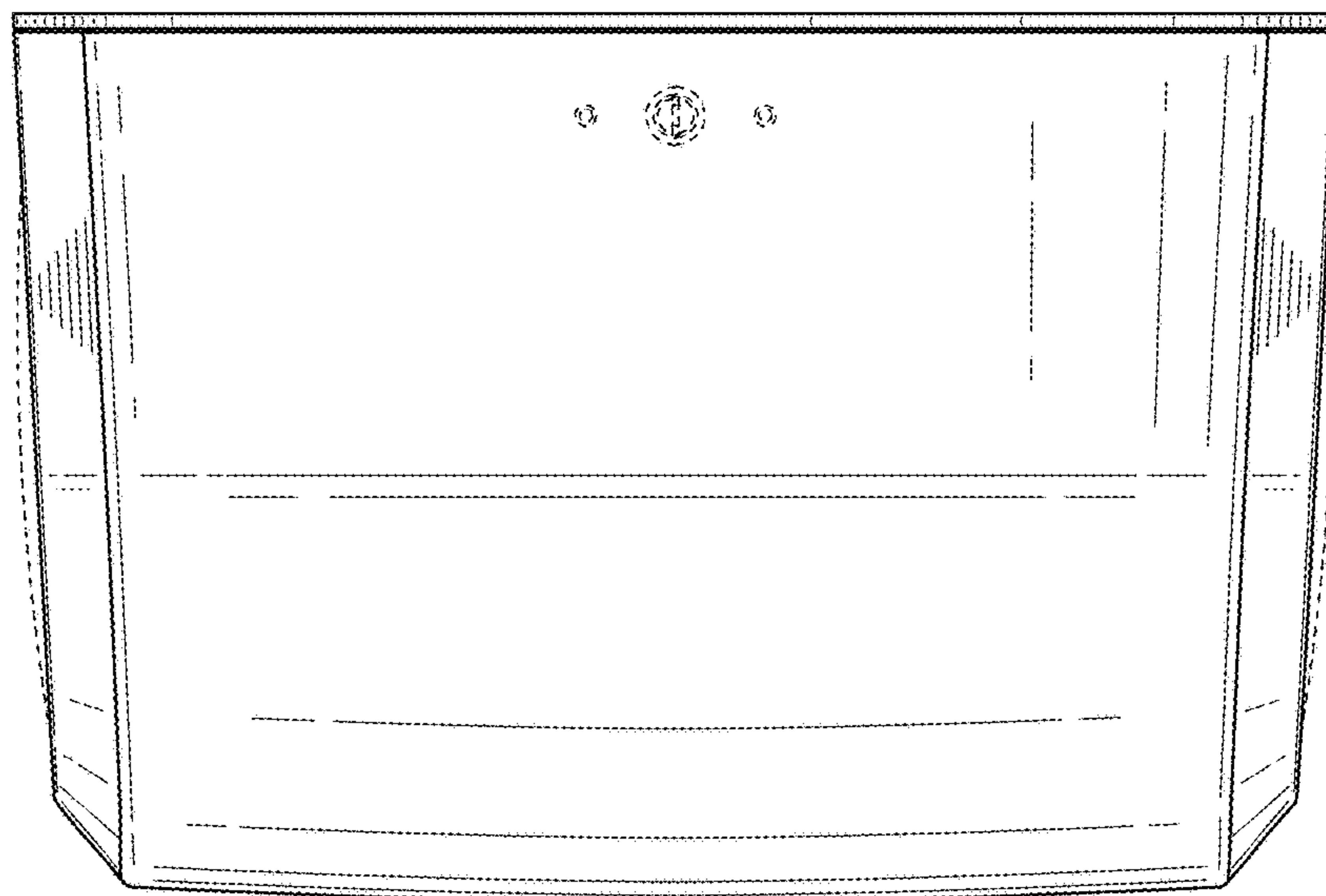


FIG. 6

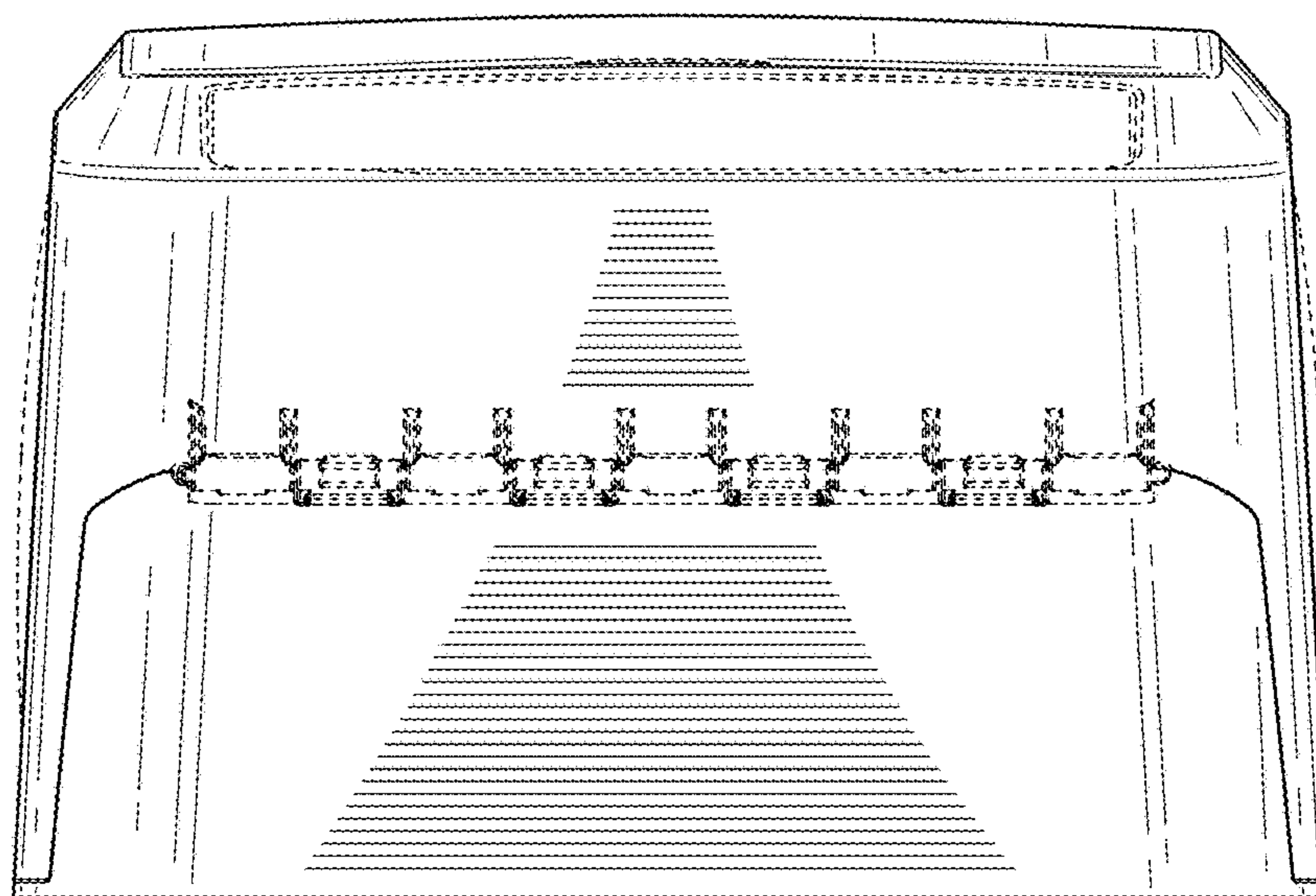


FIG. 7