

US00D773201S

(12) **United States Design Patent**
Cardell

(10) **Patent No.:** **US D773,201 S**

(45) **Date of Patent:** **** Dec. 6, 2016**

(54) **BED STAND**

(71) Applicant: **FLEXIMUG LLC**, Berkeley, CA (US)

(72) Inventor: **David Cardell**, Berkeley, CA (US)

(73) Assignee: **Fleximug LLC**, Berkeley, CA (US)

(**) Term: **15 Years**

(21) Appl. No.: **29/528,848**

(22) Filed: **Jun. 1, 2015**

(51) **LOC (10) Cl.** **06-06**

(52) **U.S. Cl.**

USPC **D6/406.1**

(58) **Field of Classification Search**

USPC D6/406.1, 406.2, 406.3, 406.4, 406.5,
D6/406.6; D14/439, 447

CPC A47G 23/06; A47B 23/00; A47B 23/04;
A47B 2023/048

See application file for complete search history.

(56) **References Cited**

U.S. PATENT DOCUMENTS

D116,438 S *	8/1939	Wright	D25/55
D290,072 S *	6/1987	Winzeler, III	D6/691.4
D409,992 S *	5/1999	Mockett	D14/451
D557,652 S *	12/2007	Gassew	D12/317
D559,850 S *	1/2008	Lye	D14/447
D645,865 S *	9/2011	Diehl	D14/299
8,100,061 B2 *	1/2012	Hookway	A47B 23/046 108/26
D730,914 S *	6/2015	Park	D14/447
D737,606 S *	9/2015	King	D6/682

D755,796 S *	5/2016	Gibson	D14/447
D756,367 S *	5/2016	Kim	D14/447
D760,723 S *	7/2016	Won	D14/447
D764,206 S *	8/2016	Lin	D6/406.1
2009/0307843 A1 *	12/2009	Hookway	A47B 23/046 5/425

OTHER PUBLICATIONS

Website ref: "Bed Butler 2.0: Bedside Caddy for Laptops, Remotes & Tables" <http://www.amazon.com/Bed-Butler-2-0-Bedside-Laptops/dp/B0...> —6 pages, Jun. 10, 2015.

* cited by examiner

Primary Examiner — Kelley Donnelly

(74) *Attorney, Agent, or Firm* — Sideman & Bancroft LLP; Guy W. Chambers

(57) **CLAIM**

The ornamental design for a bed stand, as shown and described.

DESCRIPTION

FIG. 1 is a perspective view of an embodiment of a bed stand showing my new design;

FIG. 2 is a top plan view thereof;

FIG. 3 is a front elevation view thereof;

FIG. 4 is a right side elevation view thereof;

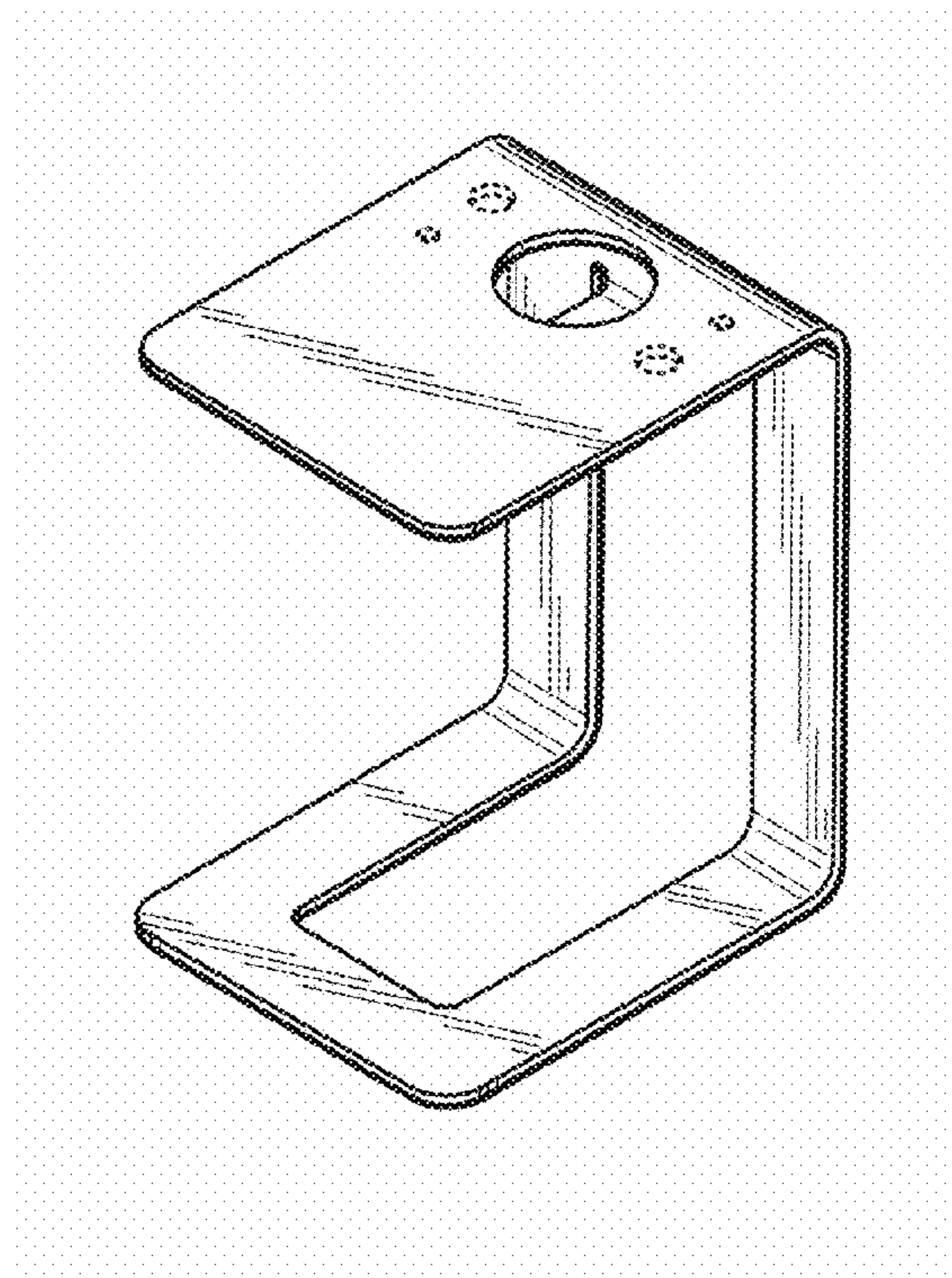
FIG. 5 is a left side elevation view thereof;

FIG. 6 is a rear elevation view thereof; and,

FIG. 7 is a bottom plan view thereof.

The broken lines are for environmental purposes only and form no part of the claimed design.

1 Claim, 2 Drawing Sheets



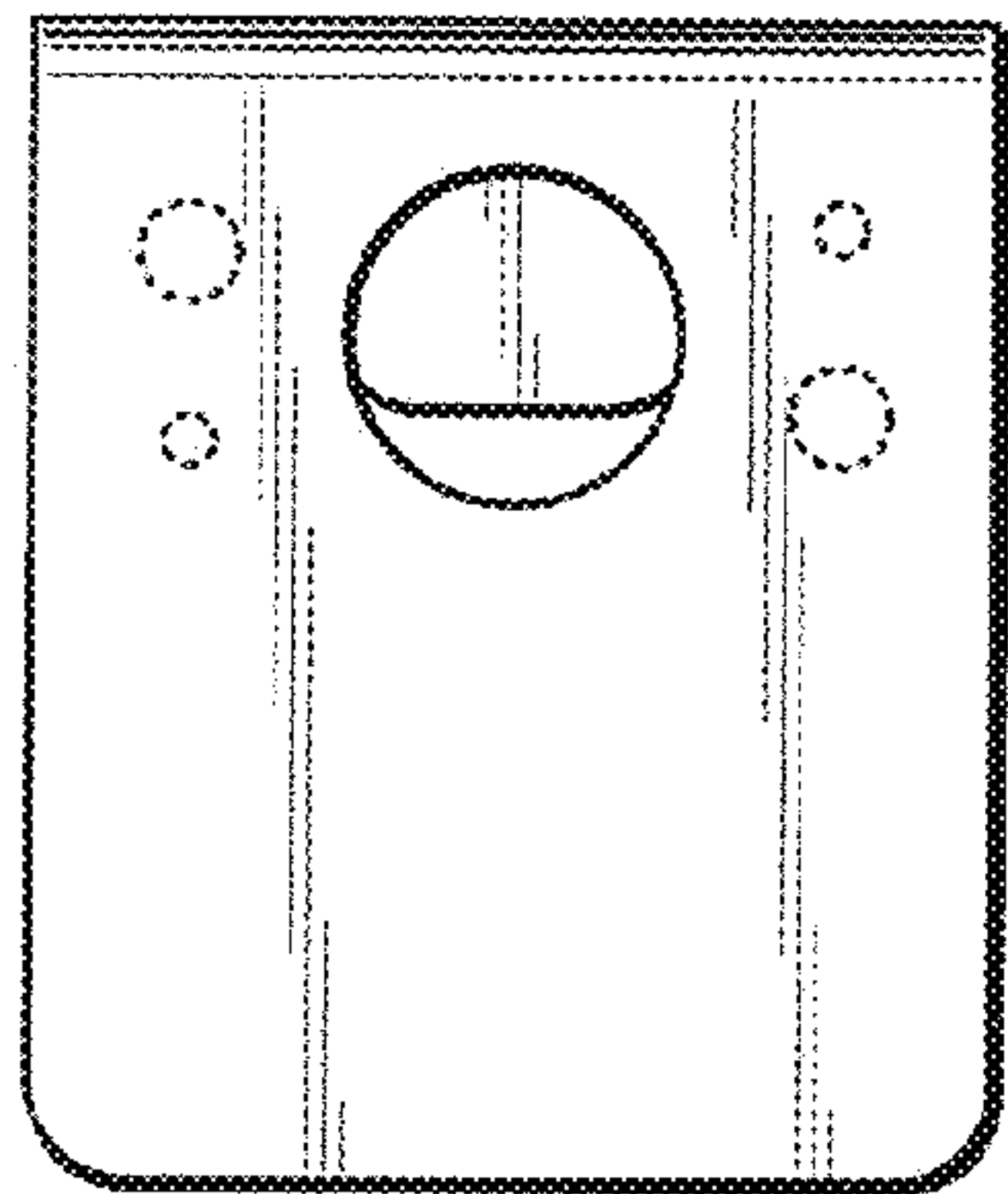


FIG. 2

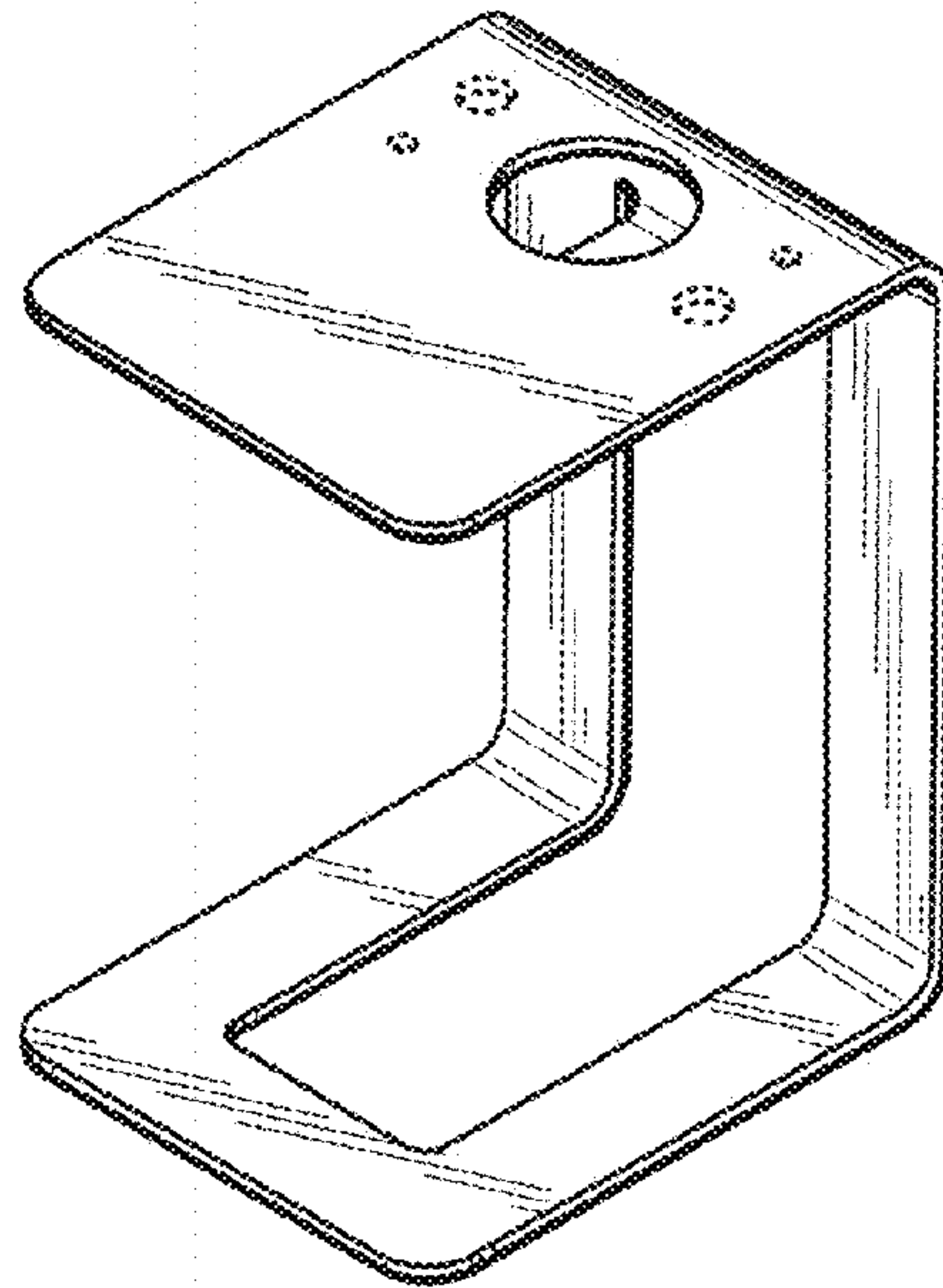


FIG. 1

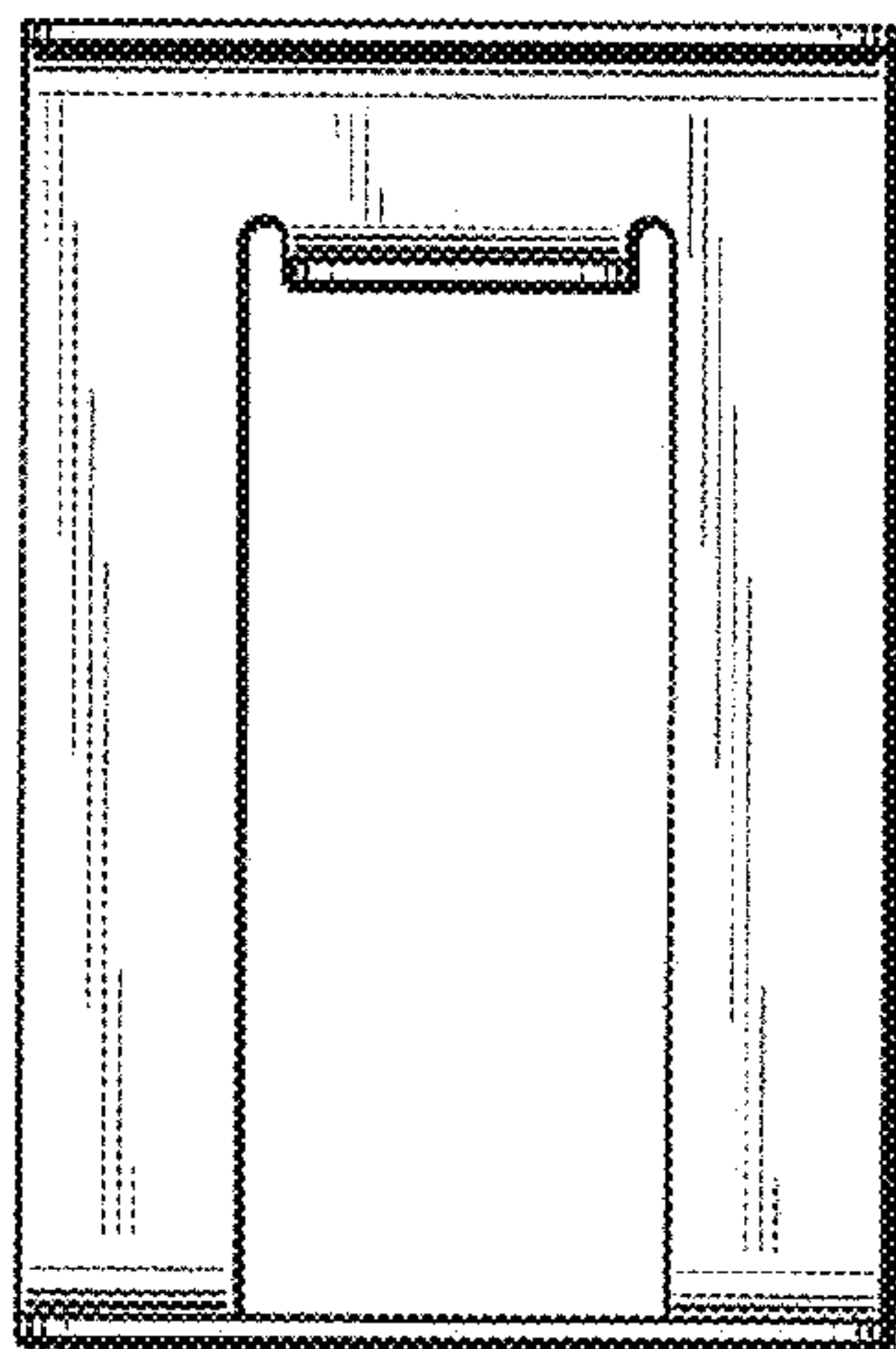


FIG. 3

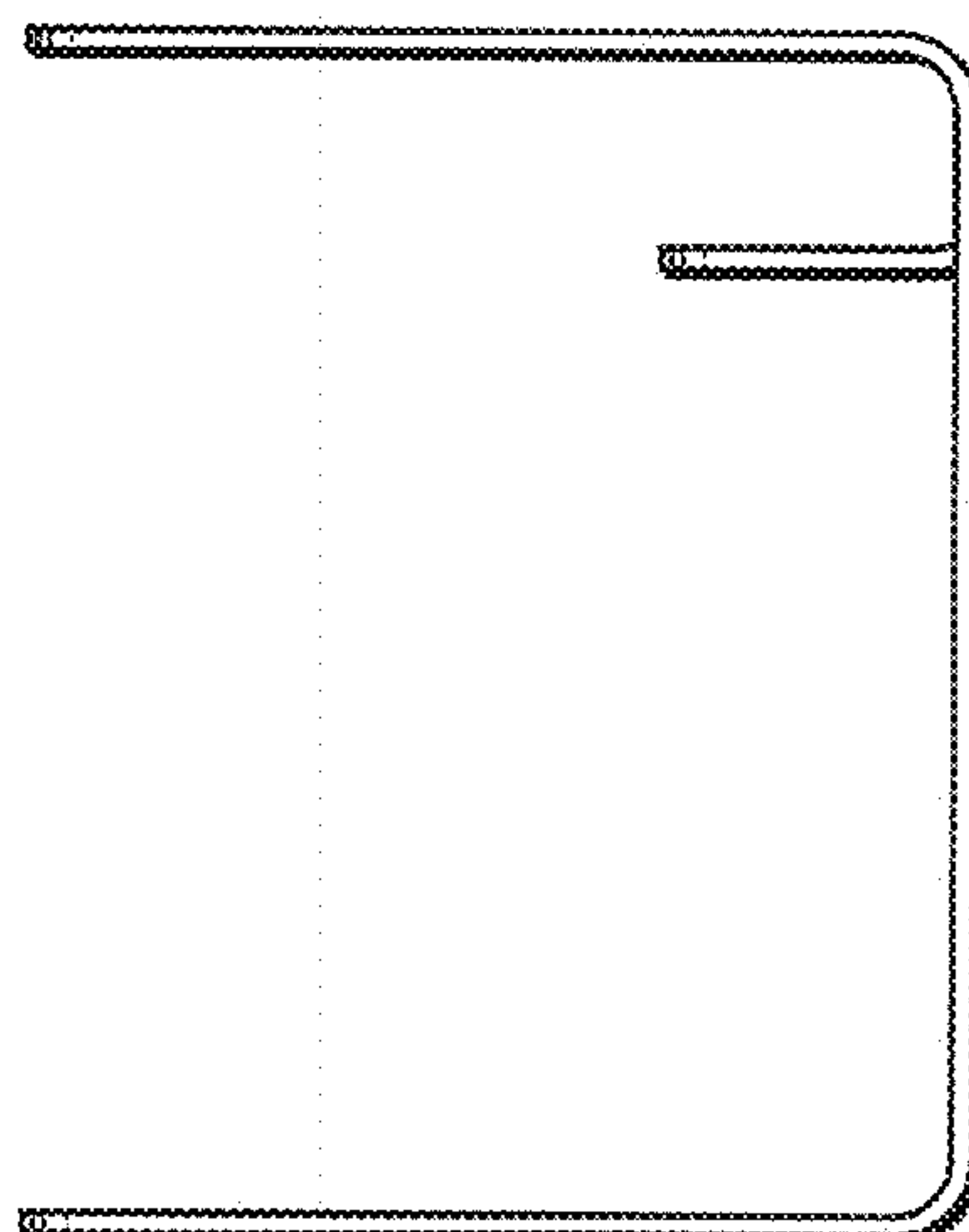


FIG. 4

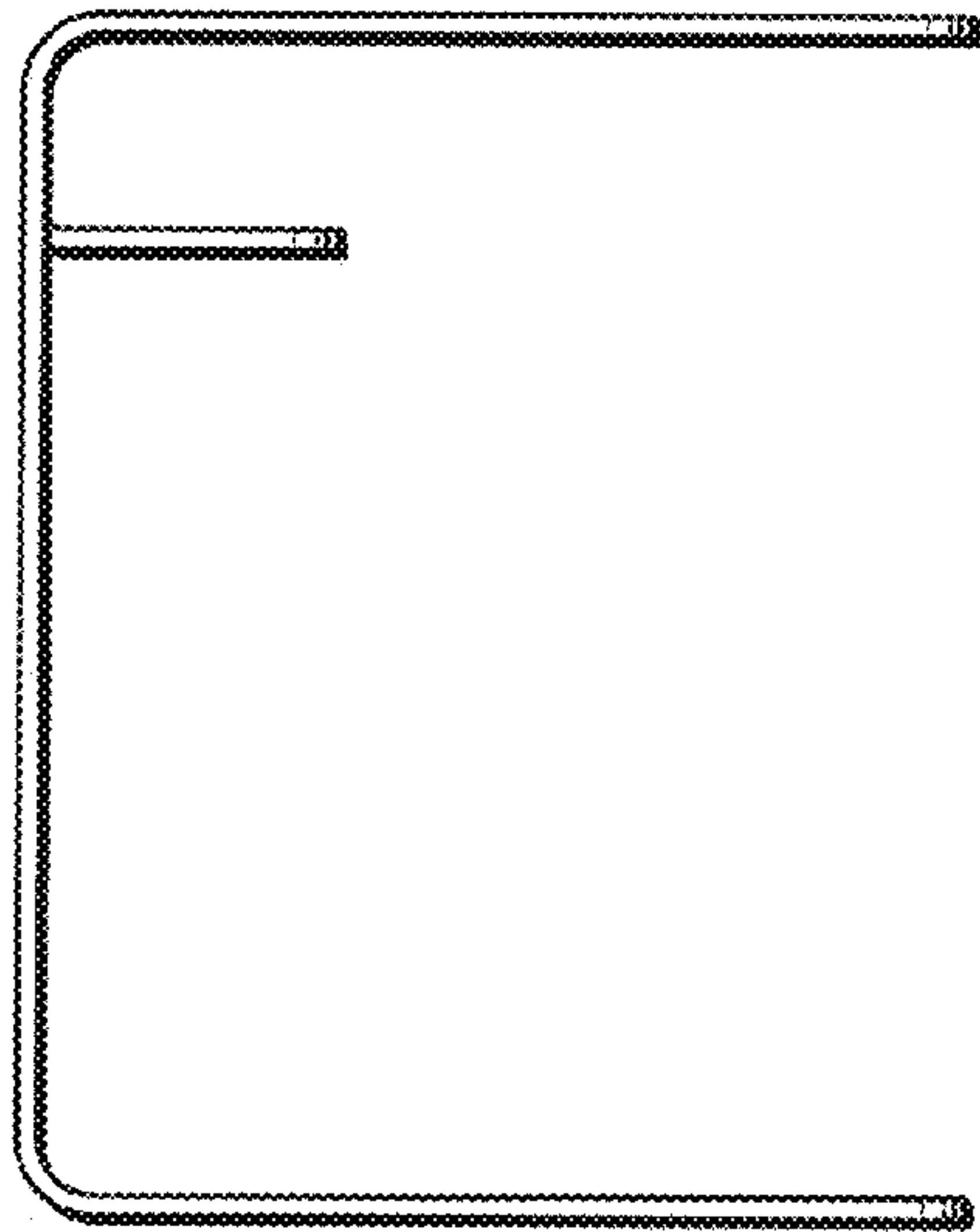


FIG. 5

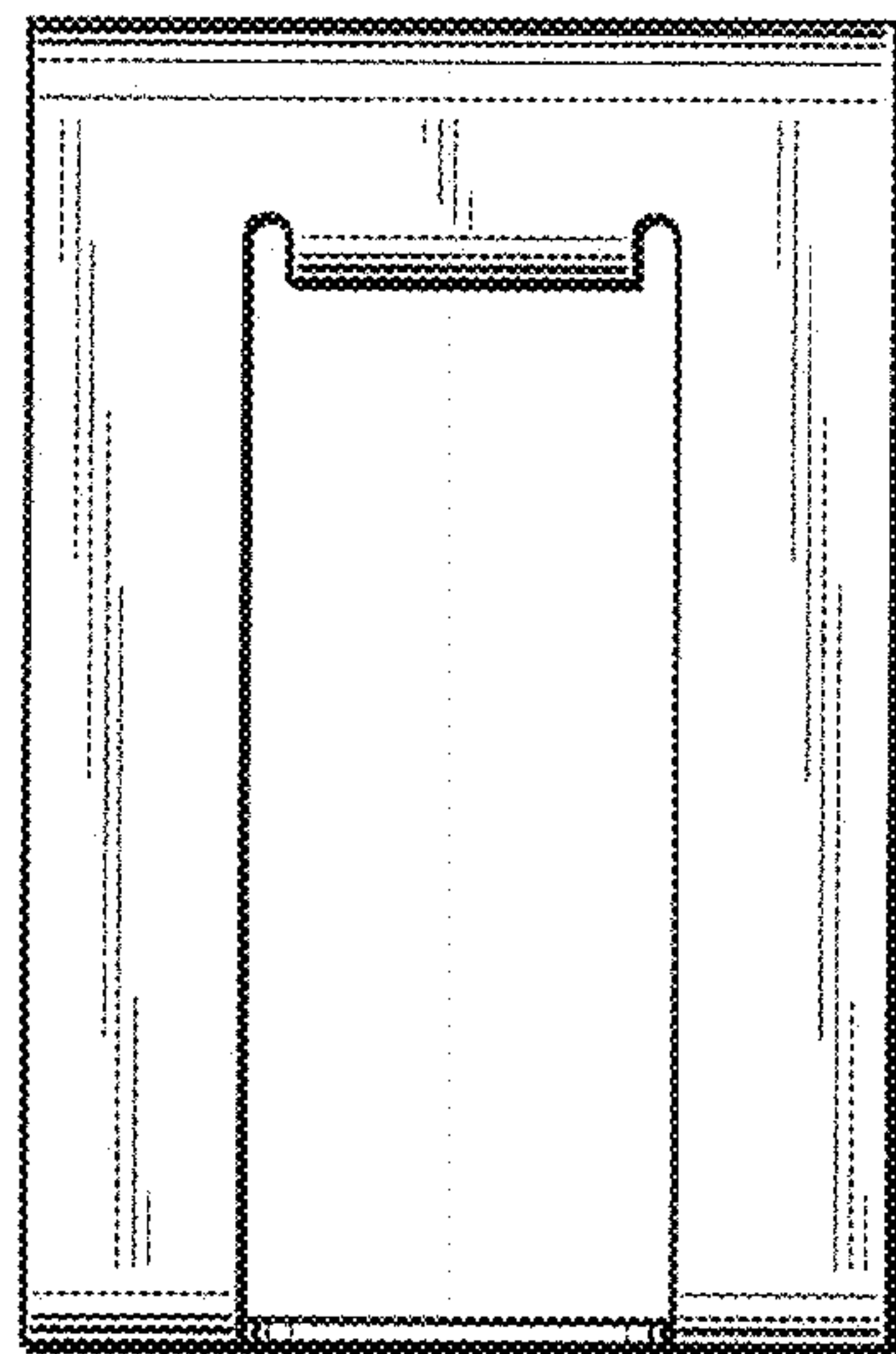


FIG. 6

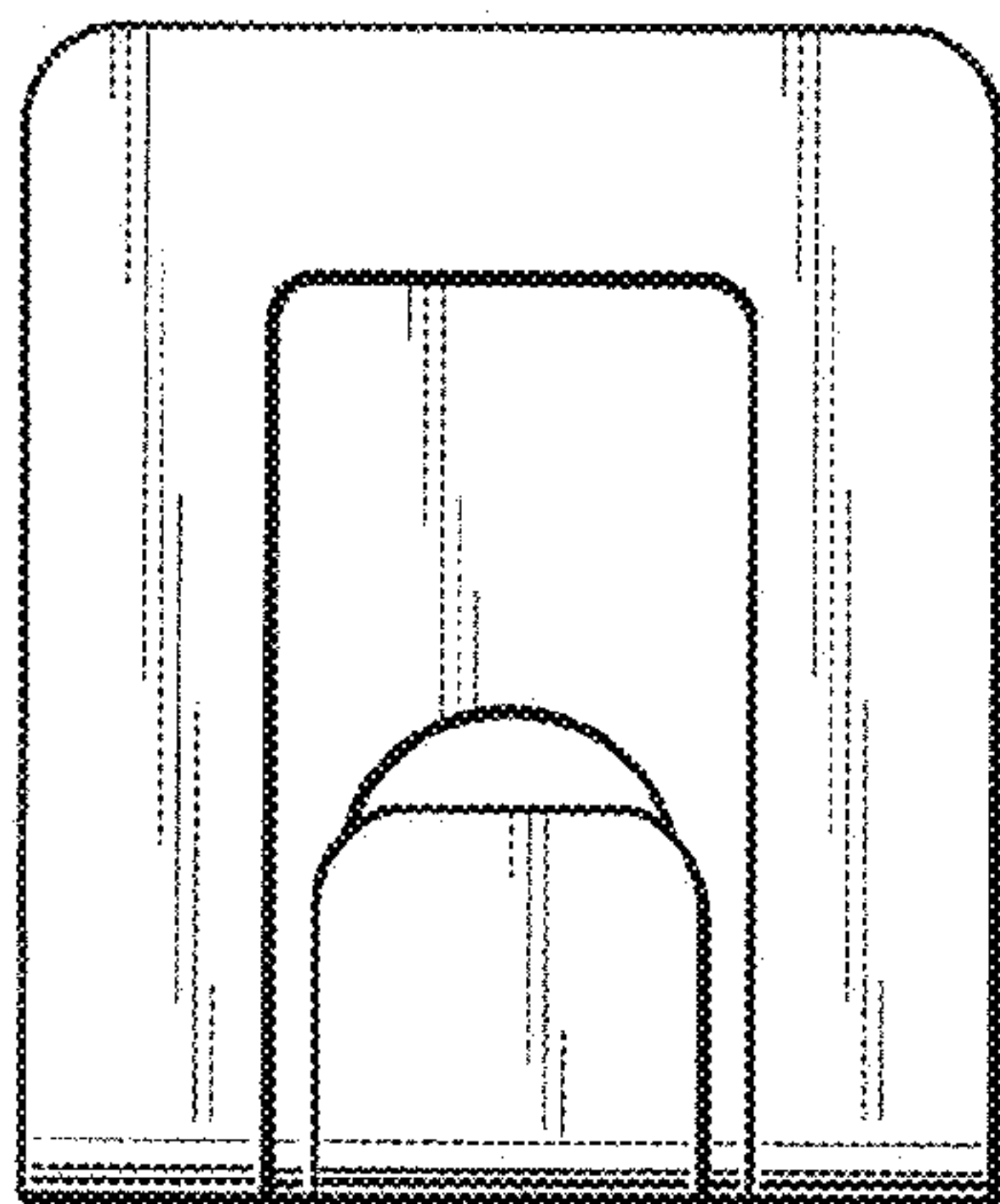


FIG. 7