



US00D773199S

(12) **United States Design Patent** (10) **Patent No.:** **US D773,199 S**  
**Neil** (45) **Date of Patent:** **\*\* Dec. 6, 2016**

(54) **CHAIR**  
(71) Applicant: **Gary Neil**, Mississauga (CA)  
(72) Inventor: **Gary Neil**, Mississauga (CA)  
(73) Assignee: **Allseating Corporation**, Mississauga (CA)  
(\*\*) Term: **15 Years**  
(21) Appl. No.: **29/529,730**  
(22) Filed: **Jun. 10, 2015**  
(51) **LOC (10) Cl.** ..... **06-01**  
(52) **U.S. Cl.**  
USPC ..... **D6/366**  
(58) **Field of Classification Search**  
USPC ..... D6/334-336, 364, 365, 366, 374, 375, D6/379, 380, 716, 716.1, 716.2, 716.4  
CPC ..... A47C 7/16; A47C 7/54; A47C 7/022; A47C 7/40; A47C 7/18; A47C 7/22; A47C 7/24  
See application file for complete search history.

D701,068 S \* 3/2014 Usumoto ..... D6/366  
D702,977 S \* 4/2014 Bonneywell ..... D6/366  
D714,069 S \* 9/2014 Cvek ..... D6/366  
D714,070 S \* 9/2014 Cvek ..... D6/366  
D728,291 S \* 5/2015 Ooki ..... D6/716.4  
D728,292 S \* 5/2015 Ooki ..... D6/366  
D737,064 S \* 8/2015 Ooki ..... D6/366

\* cited by examiner

*Primary Examiner* — Mimoso De  
(74) *Attorney, Agent, or Firm* — Lorelei G. Graham

(57) **CLAIM**

The ornamental design for the chair, as shown and described.

**DESCRIPTION**

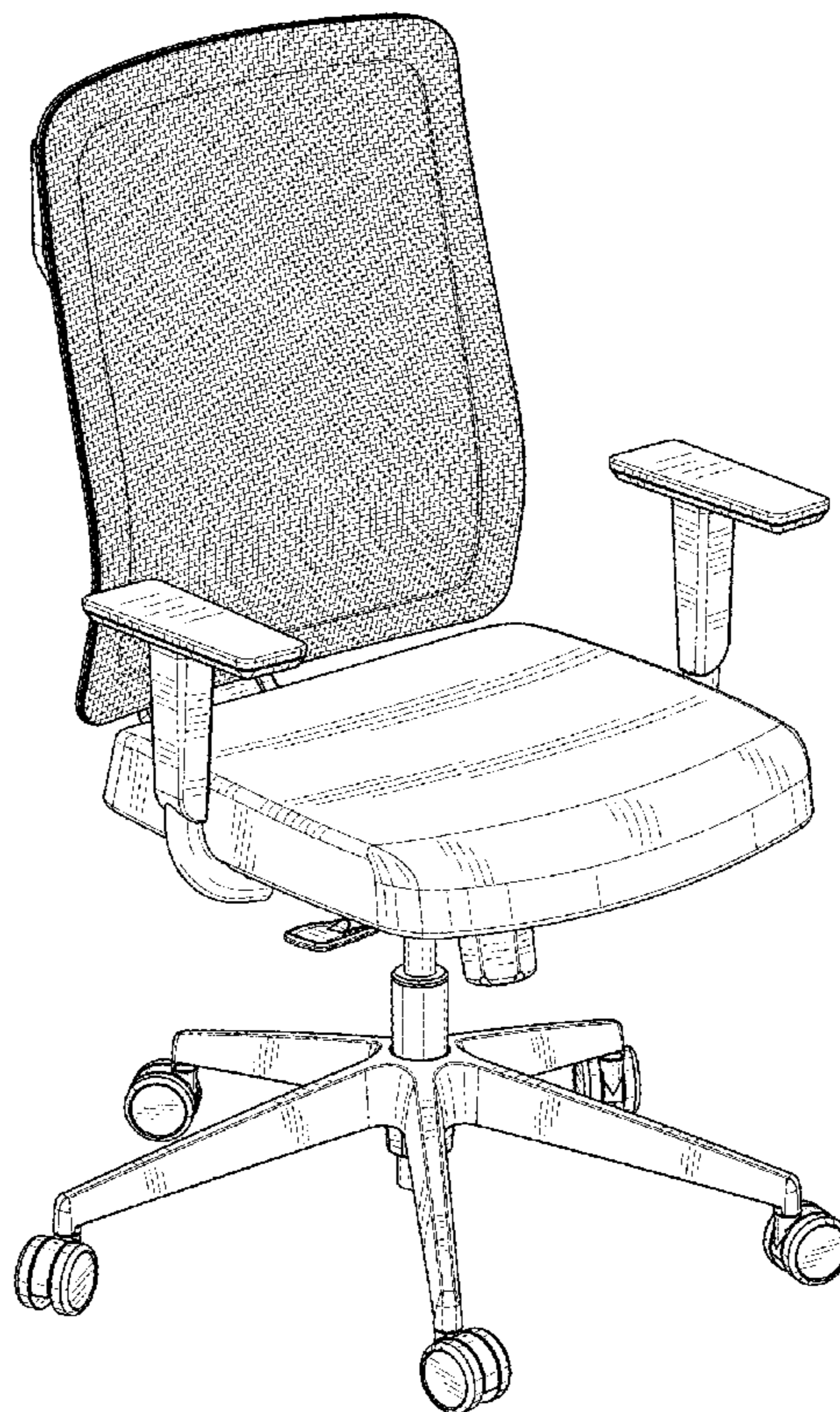
FIG. 1 is a front perspective view of the chair.  
FIG. 2 is a back perspective view of the chair.  
FIG. 3 is a right side elevational view of the chair.  
FIG. 4 is a front elevational view of the chair.  
FIG. 5 is a left side elevational view of the chair.  
FIG. 6 is a back elevational view of the chair.  
FIG. 7 is a top plan view of the chair; and,  
FIG. 8 is a bottom plan view of the chair.  
The broken line shown in the drawings are for the purpose of illustrating portions of the article that form no part of the claim design.

(56) **References Cited**

U.S. PATENT DOCUMENTS

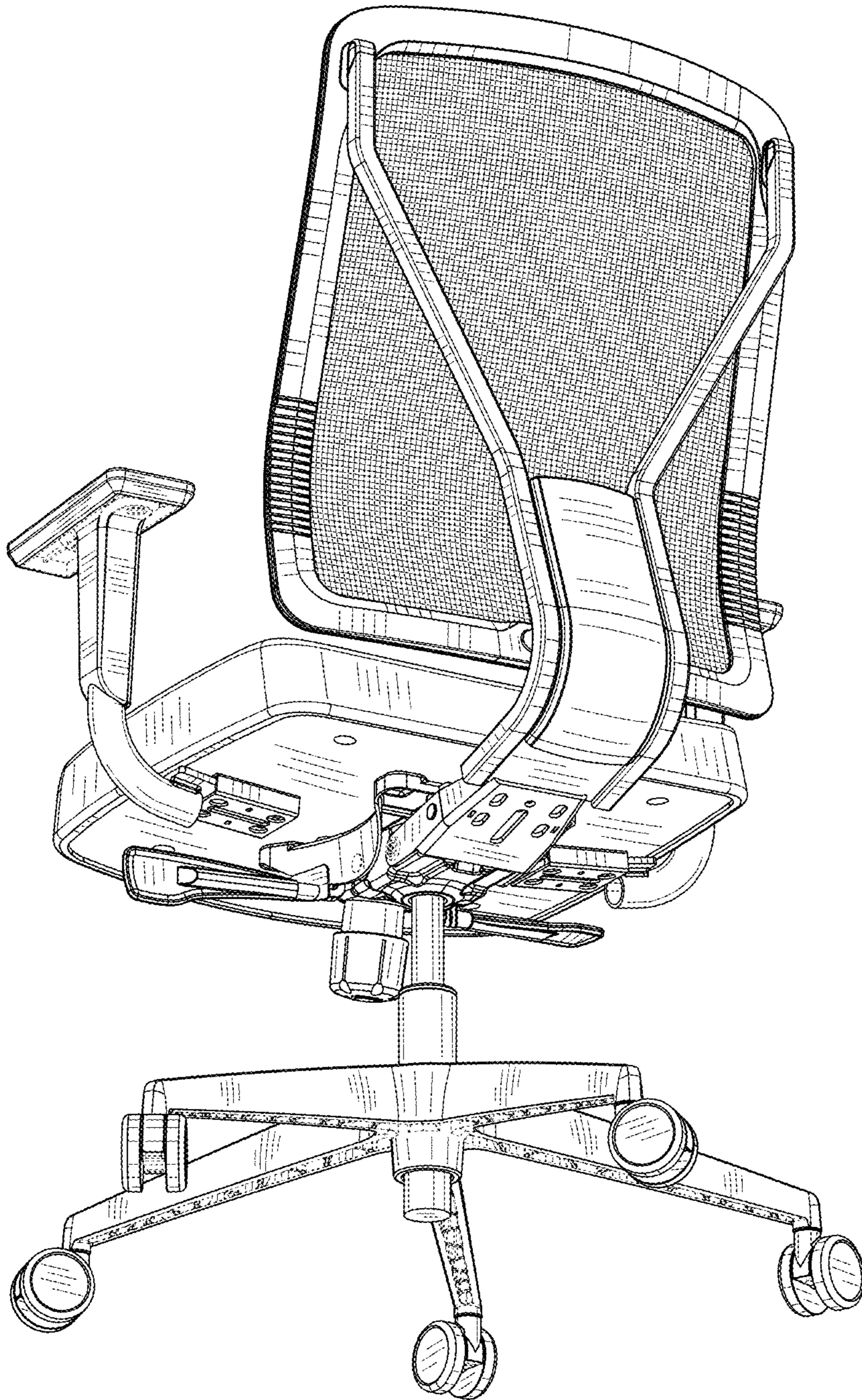
D636,614 S \* 4/2011 Sander ..... D6/366  
D689,314 S \* 9/2013 Smith ..... D6/716

**1 Claim, 7 Drawing Sheets**

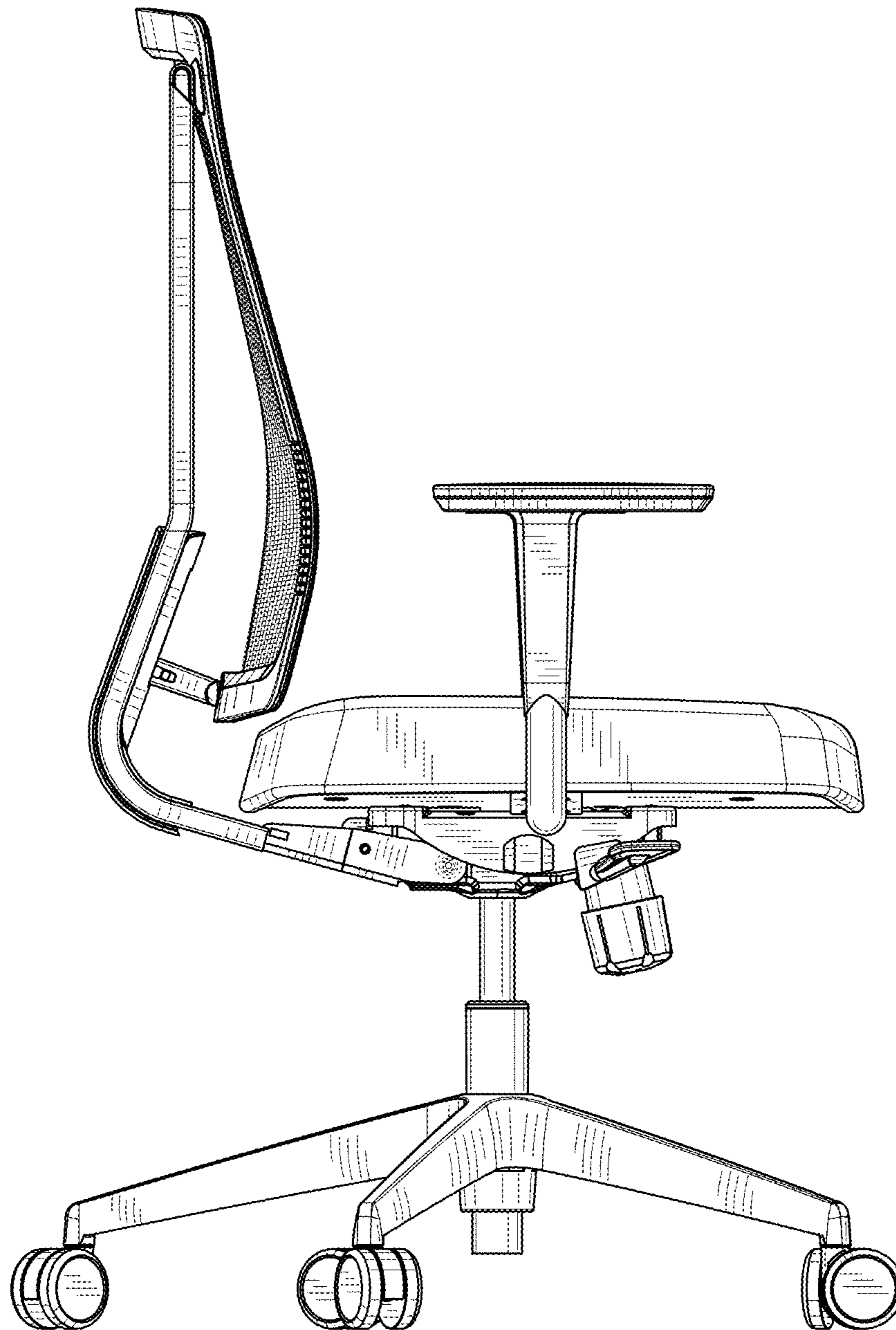




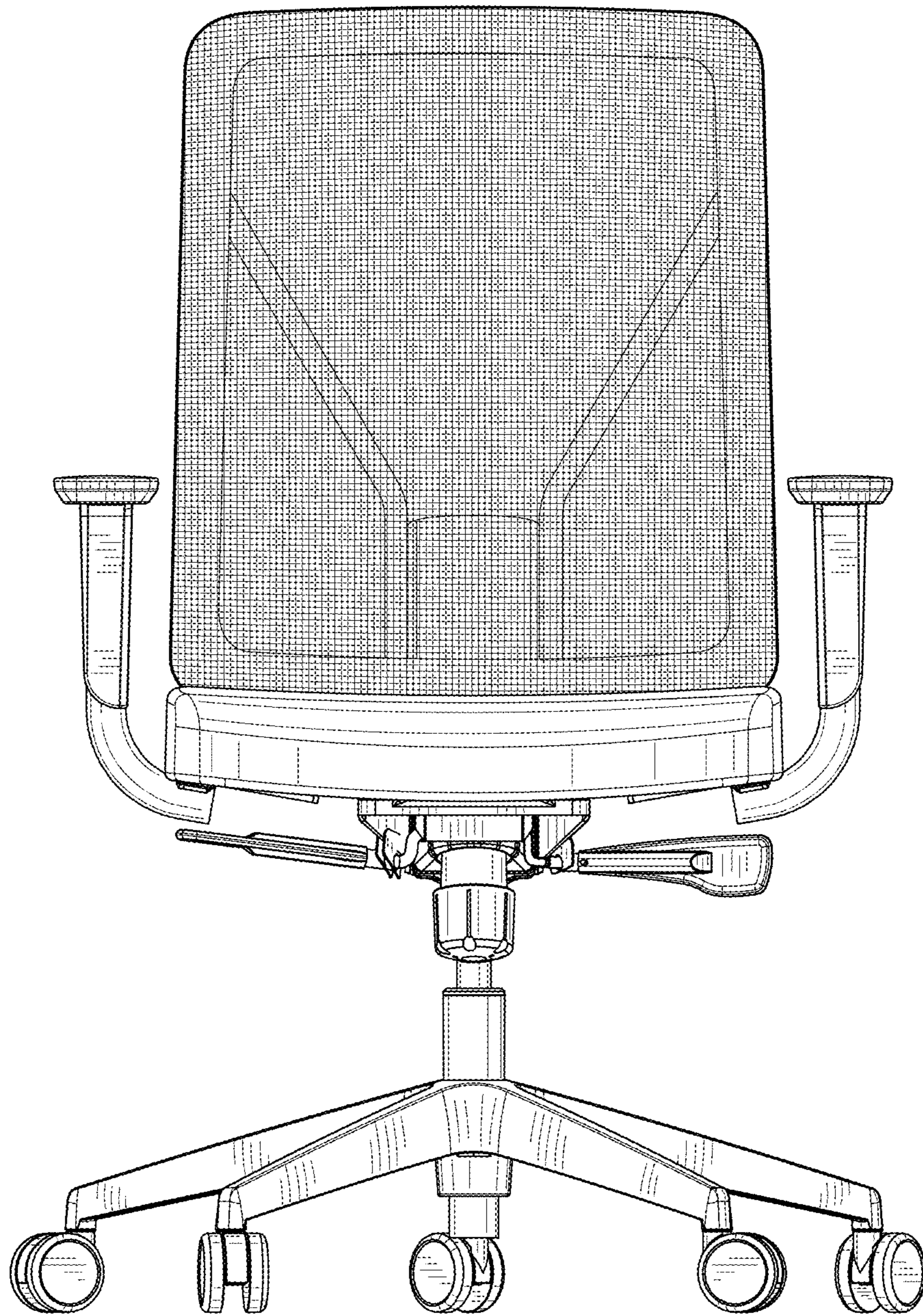
**FIG. 1**



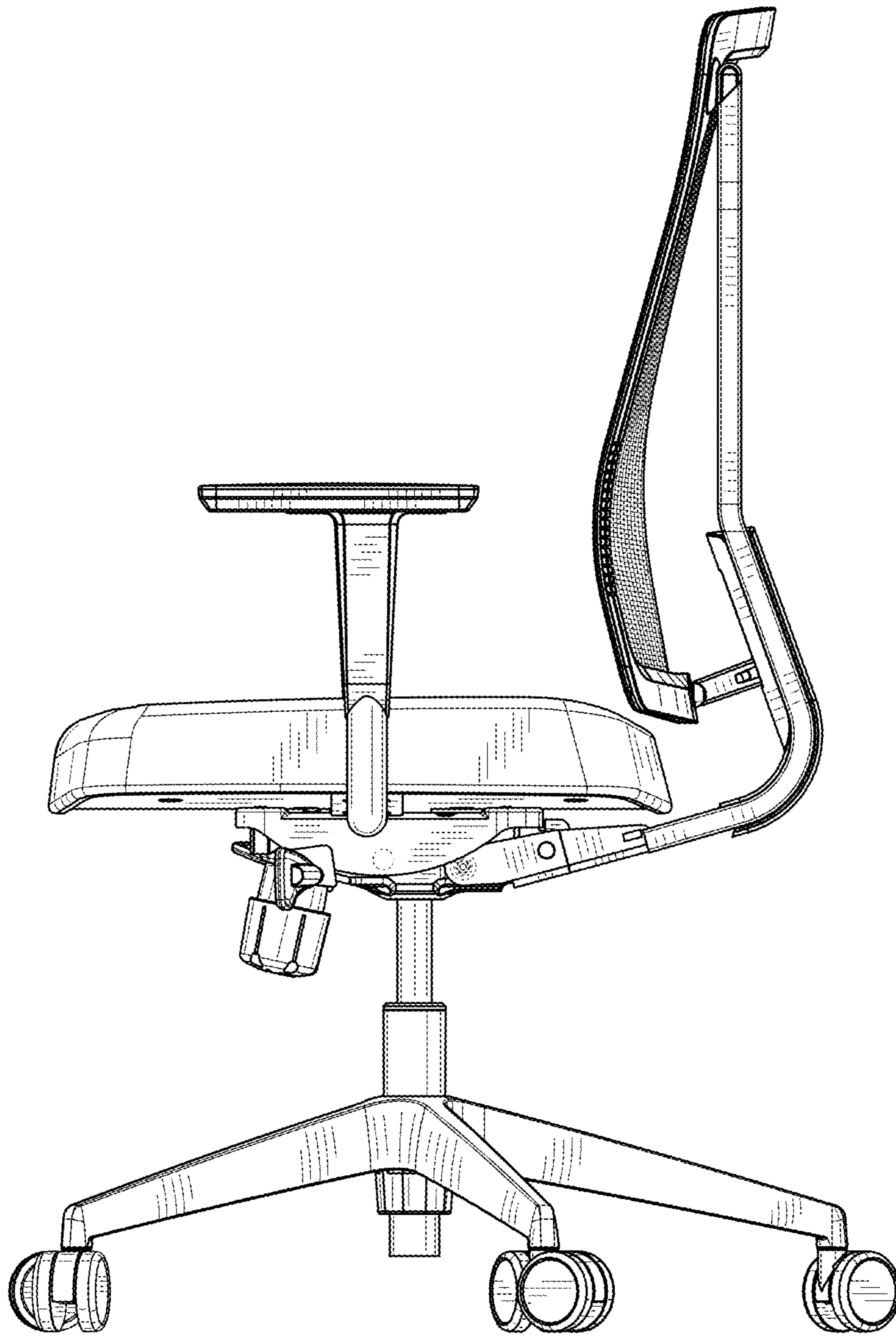
**FIG. 2**



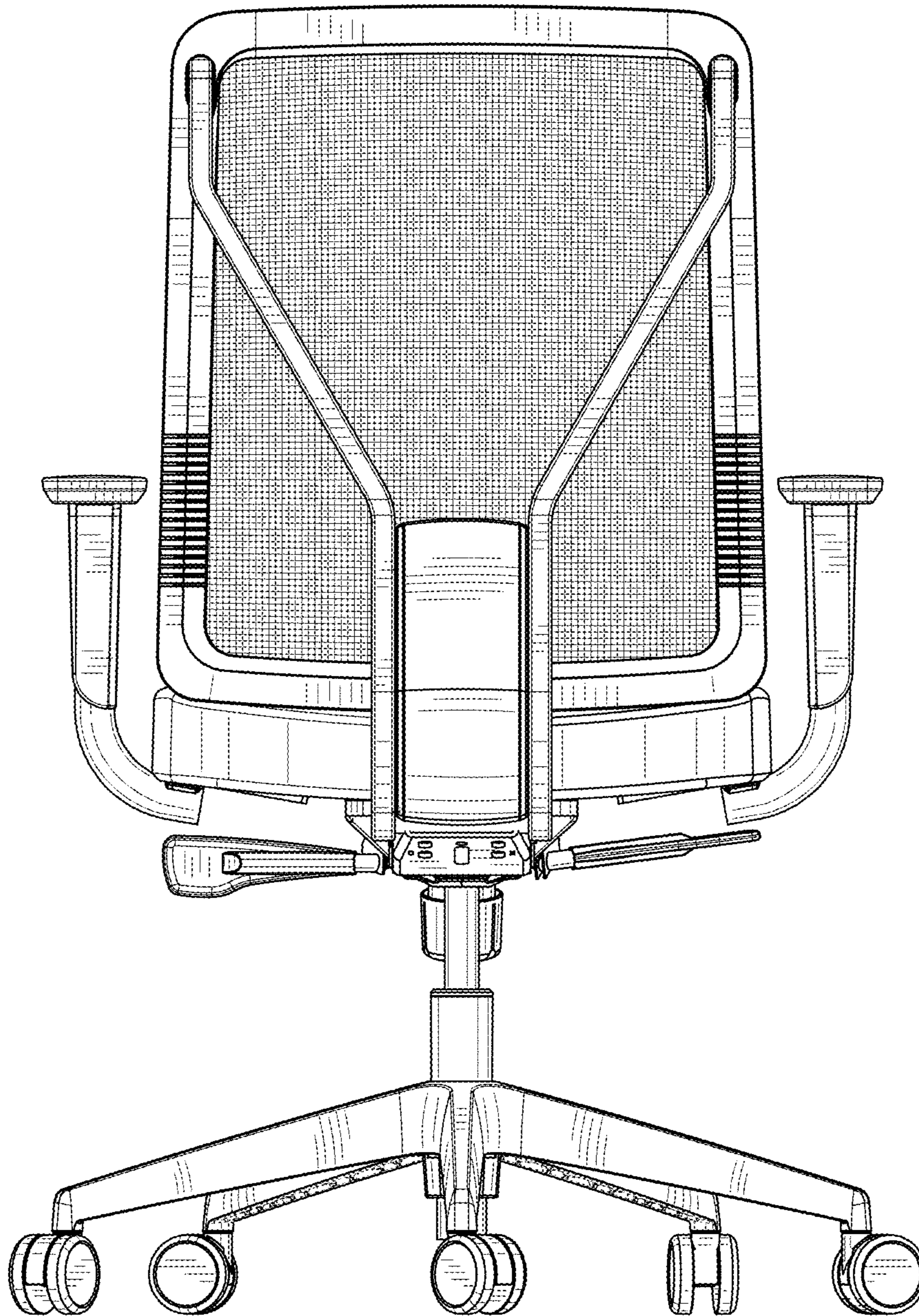
**FIG. 3**



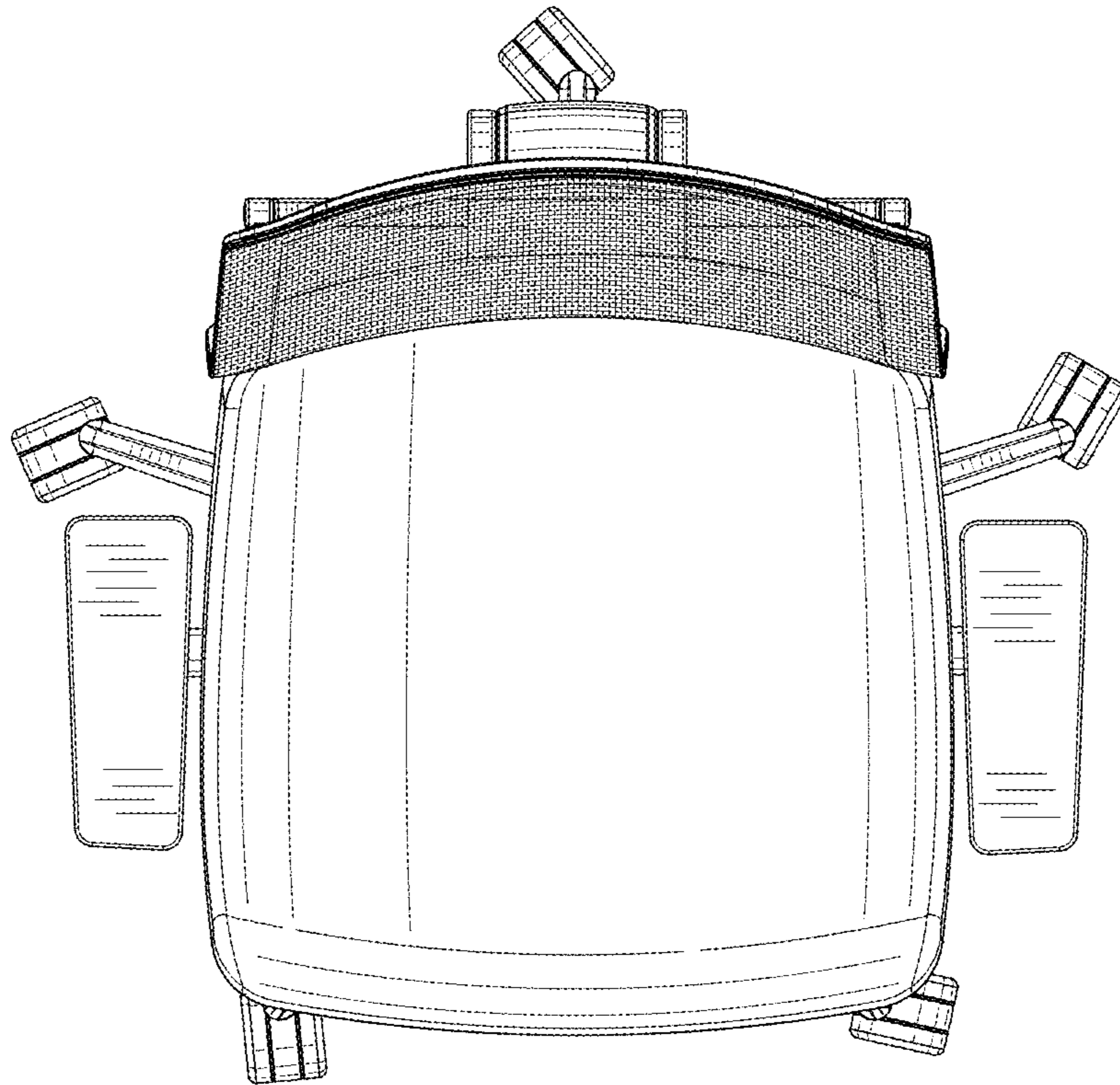
**FIG. 4**



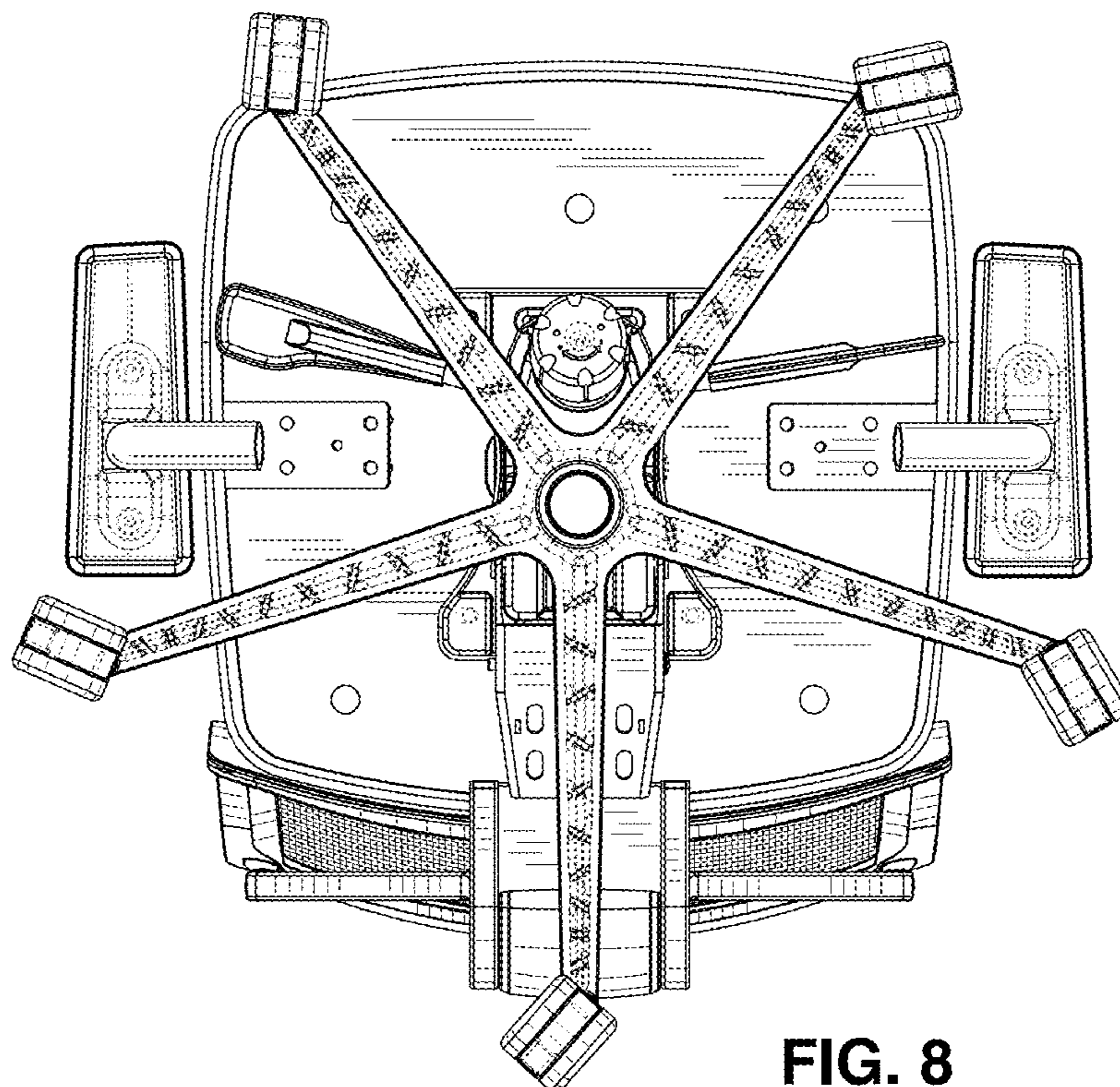
**FIG. 5**



**FIG. 6**



**FIG. 7**



**FIG. 8**