



US00D773198S

(12) **United States Design Patent**
Deen

(10) **Patent No.:** **US D773,198 S**

(45) **Date of Patent:** **** Dec. 6, 2016**

- (54) **CORNER SHAVING PEDESTAL**
- (71) Applicant: **Andrew C. Deen**, Springfield, IL (US)
- (72) Inventor: **Andrew C. Deen**, Springfield, IL (US)
- (**) Term: **15 Years**
- (21) Appl. No.: **29/543,000**
- (22) Filed: **Oct. 20, 2015**
- (51) **LOC (10) Cl.** **06-04**
- (52) **U.S. Cl.**
USPC **D6/364**
- (58) **Field of Classification Search**
USPC D6/364, 514, 515, 643, 657, 661, 662.1,
D6/663, 668.1, 668.2, 669, 671, 671.1,
D6/672, 675.1, 676, 678.1, 678.2;
312/118, 138.1; 108/92; D20/10, 17,
D20/19, 21, 39; D26/16; D25/16
CPC A47B 47/0075; A47B 47/00091;
A47B 45/00; A47B 65/00; A47B 65/10;
A47B 67/00; A47B 81/06; A47B 96/04
See application file for complete search history.

(56) **References Cited**

U.S. PATENT DOCUMENTS

D275,969 S *	10/1984	Bowers	D20/10
D293,985 S *	2/1988	White	D6/676
D324,790 S *	3/1992	Krautsack	D6/515
D330,469 S *	10/1992	Brodbeck	D6/643
D350,369 S *	9/1994	Shafley	D20/10
D357,944 S *	5/1995	Atwell	D20/10
D398,167 S *	9/1998	O'Reilly	D20/19
D406,704 S *	3/1999	Carter	D6/676
D409,761 S *	5/1999	O'Reilly	D25/16
D410,697 S *	6/1999	Smart	D20/10
D412,015 S *	7/1999	Greenfield	D20/17

D456,636 S *	5/2002	Papai	D6/676
D546,394 S *	7/2007	Tanaka	D20/39
D556,264 S *	11/2007	Tanaka	D20/39
D608,832 S *	1/2010	Pedroza	D20/21
D648,059 S *	11/2011	Fisher	D26/118

* cited by examiner

Primary Examiner — Manpreet Matharu

Assistant Examiner — Keith Wilson

(74) *Attorney, Agent, or Firm* — Dunlap Bennett & Ludwig PLLC

(57) **CLAIM**

The ornamental design for a corner shaving pedestal, as shown and described.

DESCRIPTION

FIG. 1: is a front perspective view of the corner shaving pedestal;
 FIG. 2: is a front elevation view of the corner shaving pedestal;
 FIG. 3: is a rear elevation view of the corner shaving pedestal;
 FIG. 4: is a left side elevation view of the corner shaving pedestal, the right side elevation view being a mirror image thereof;
 FIG. 5: is a top plan view of the corner shaving pedestal;
 FIG. 6: is a bottom plan view of the corner shaving pedestal;
 and,
 FIG. 7: is front perspective view of the corner shaving pedestal in use.
 The broken lines shown in the drawings illustrate portions of the corner shaving pedestal that form no part of the claimed design.

1 Claim, 3 Drawing Sheets

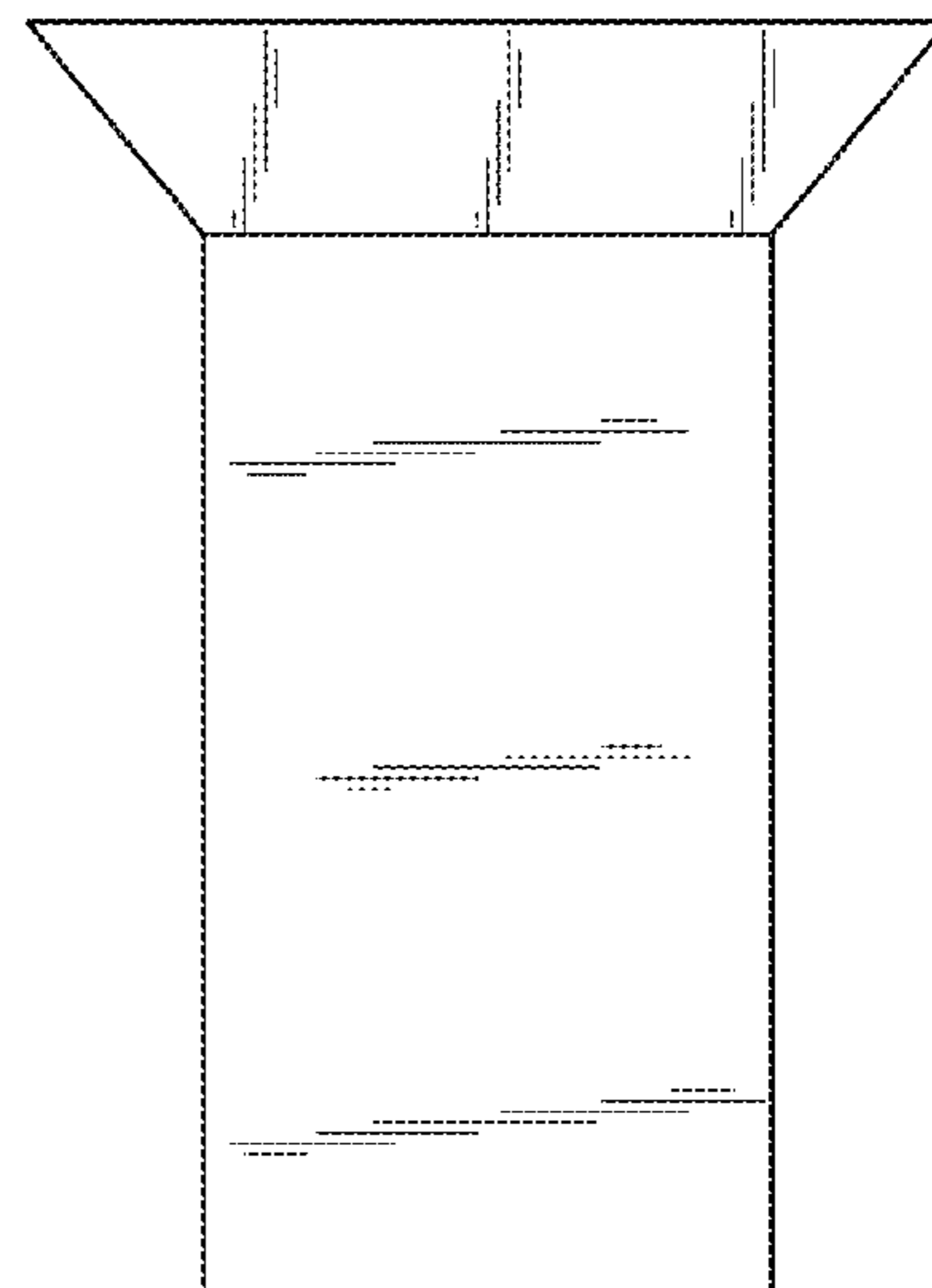
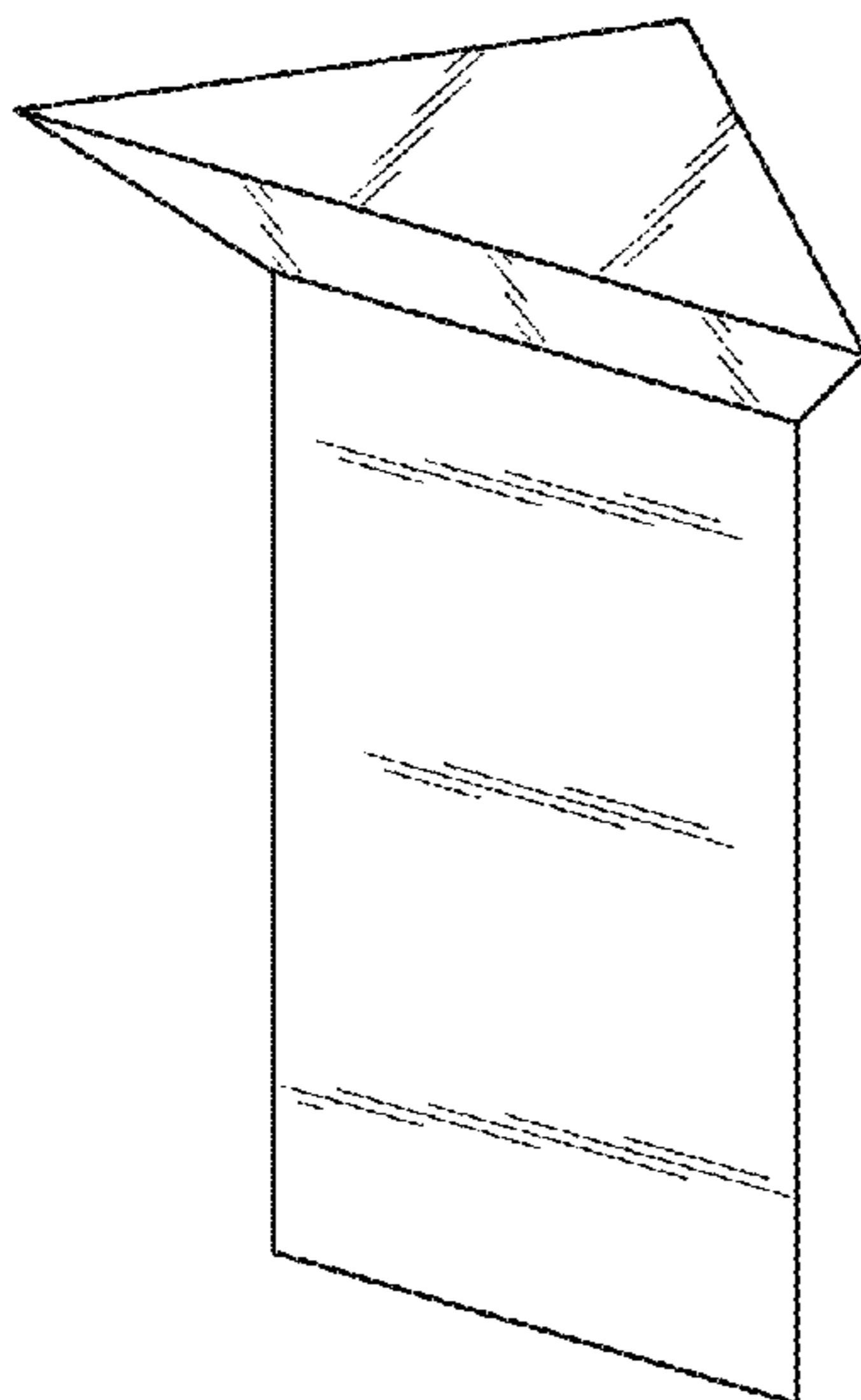


FIG. 1

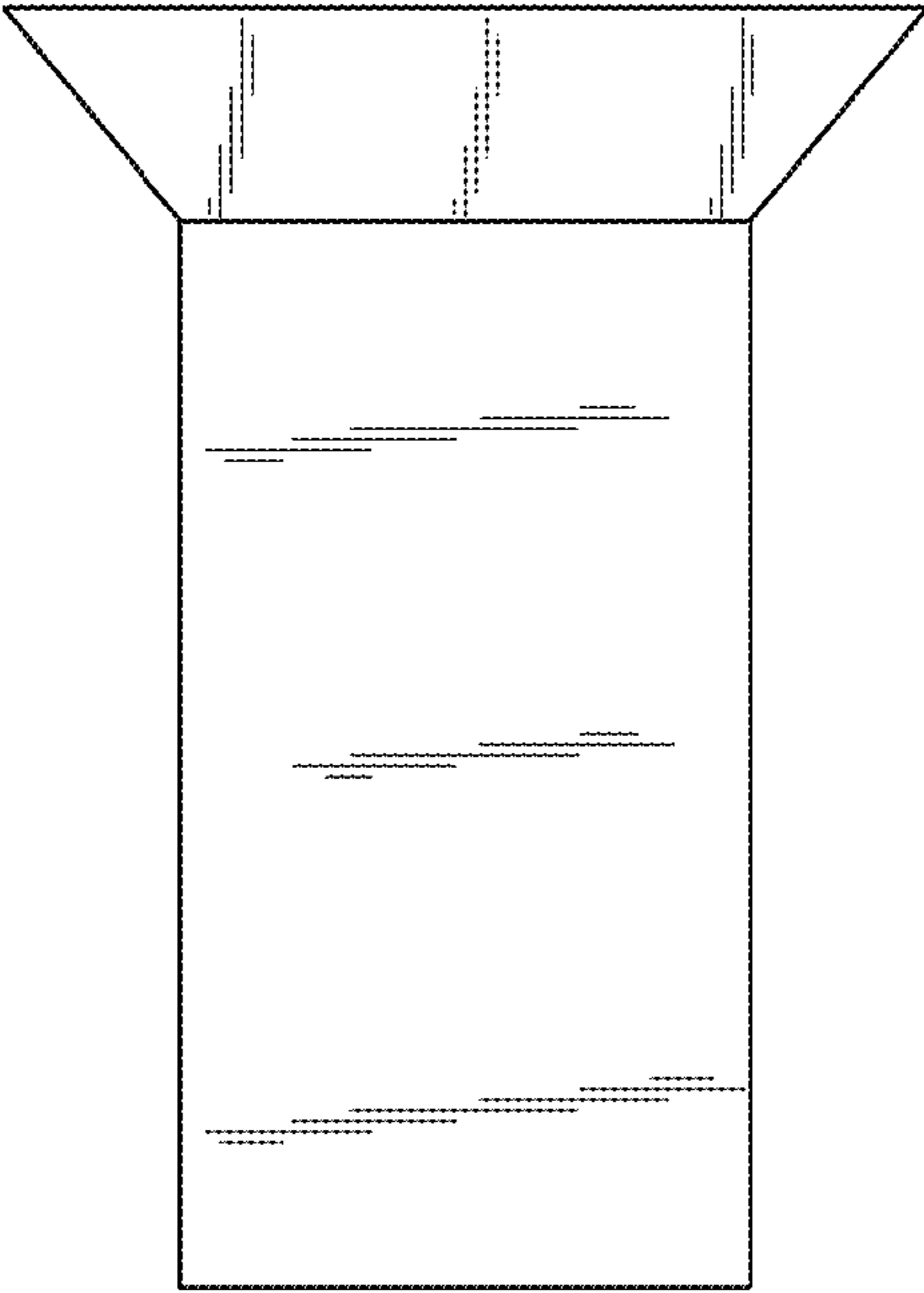
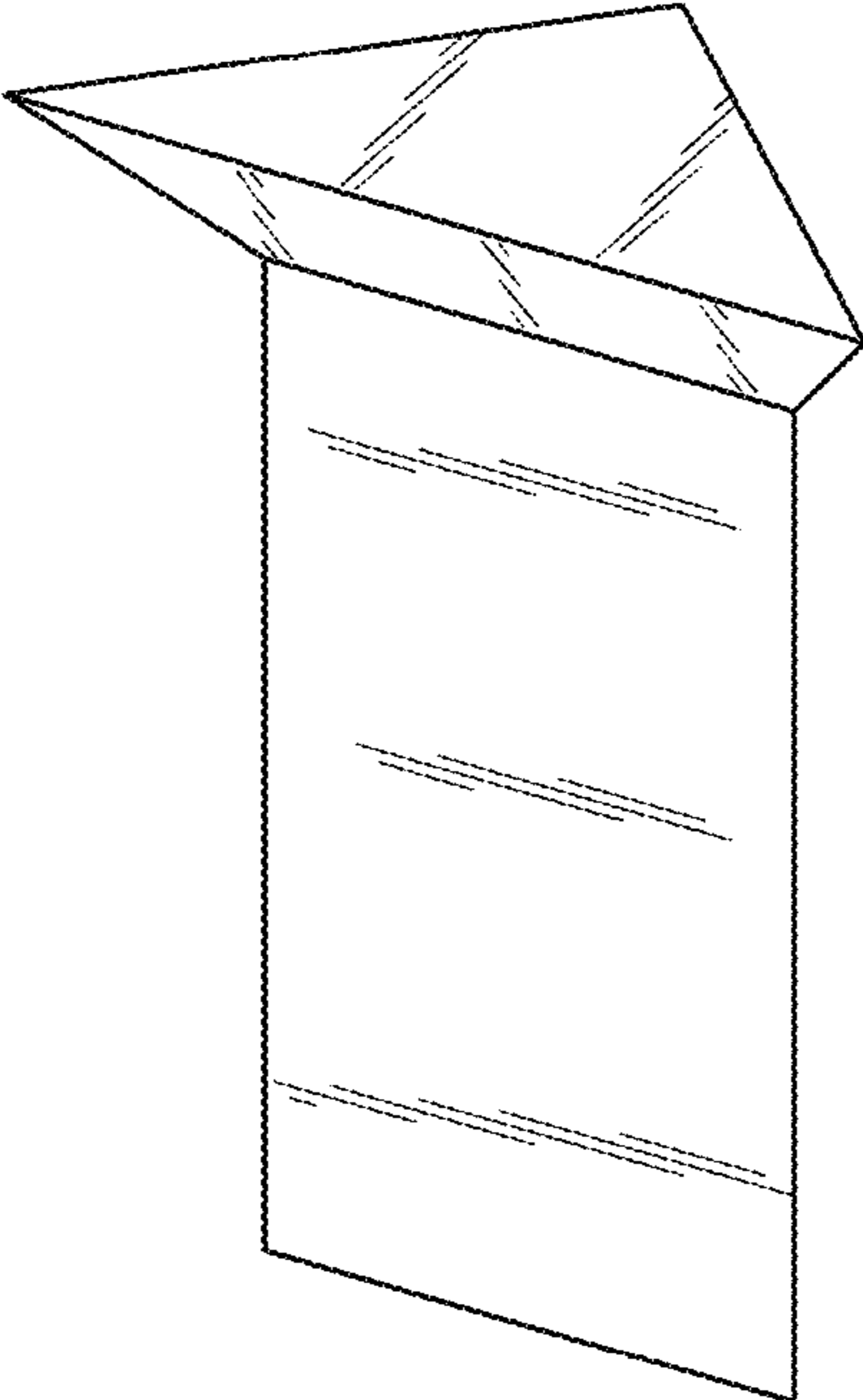


FIG. 2

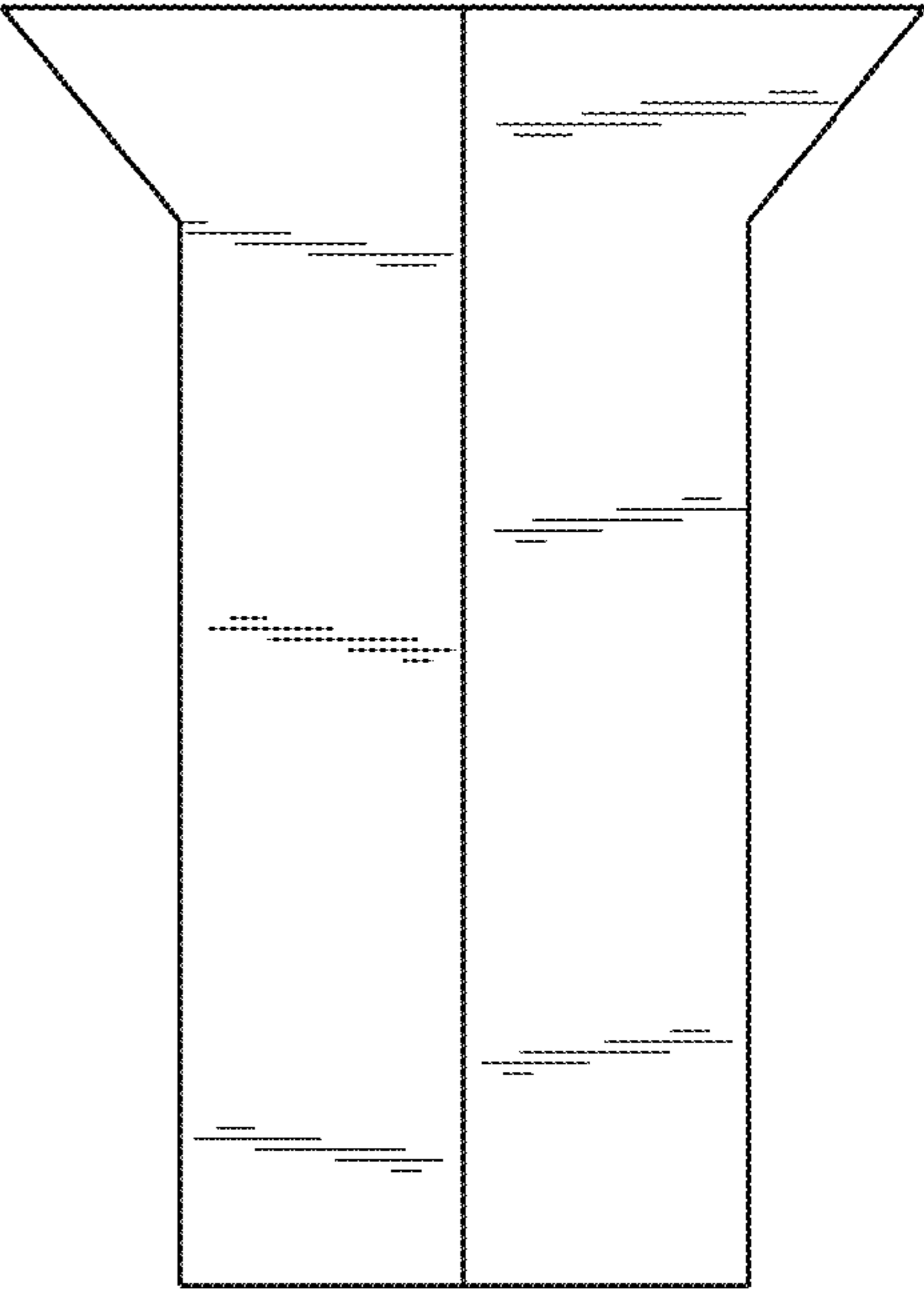


FIG. 3

FIG. 4

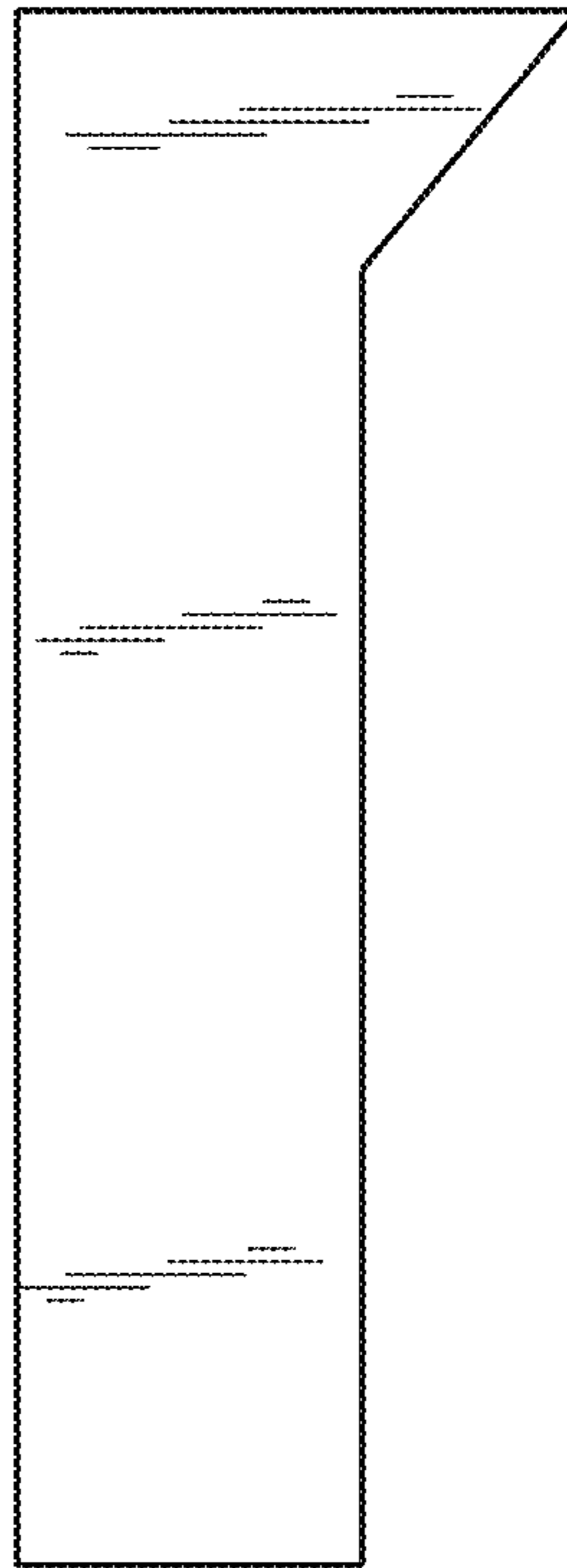


FIG. 5

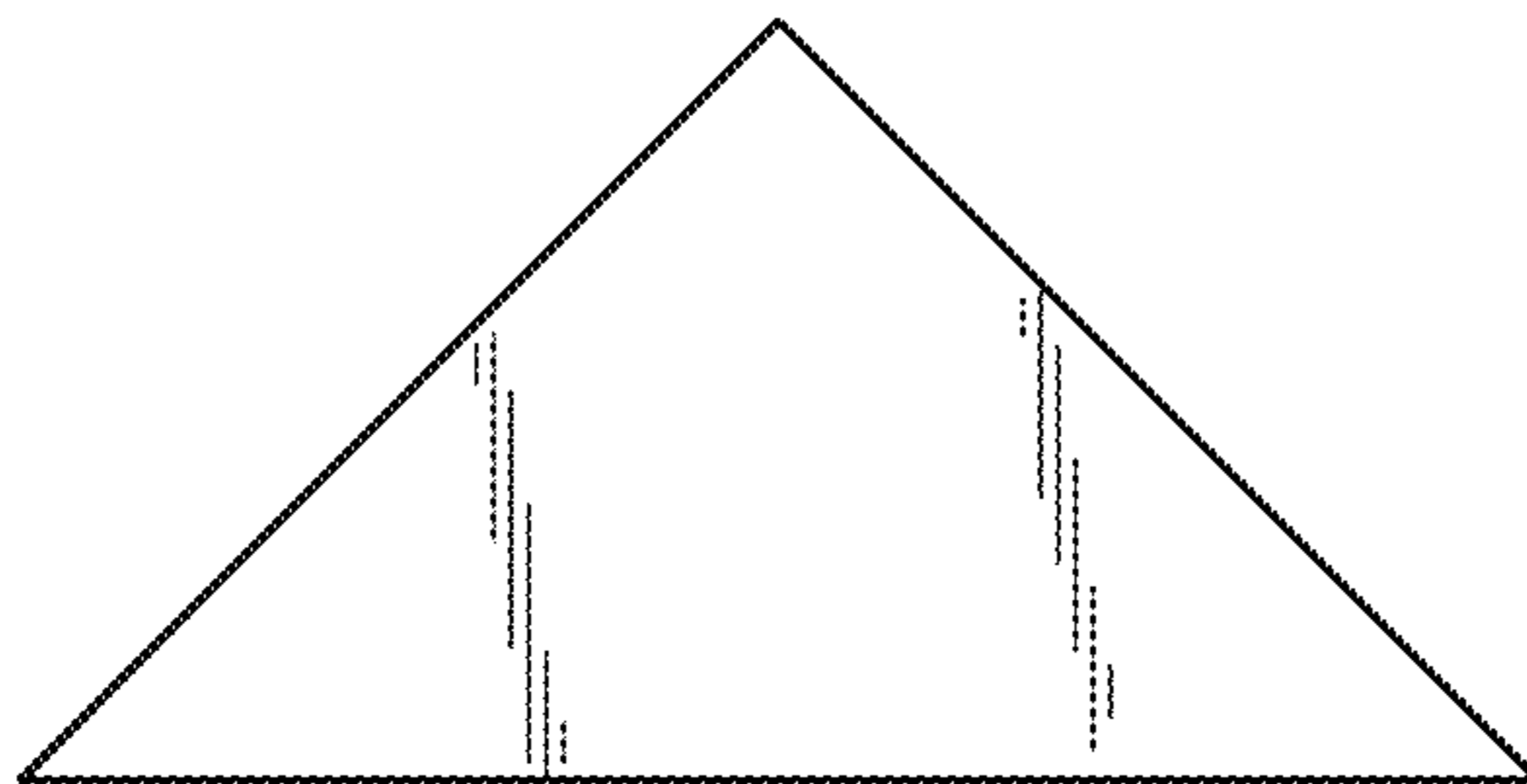
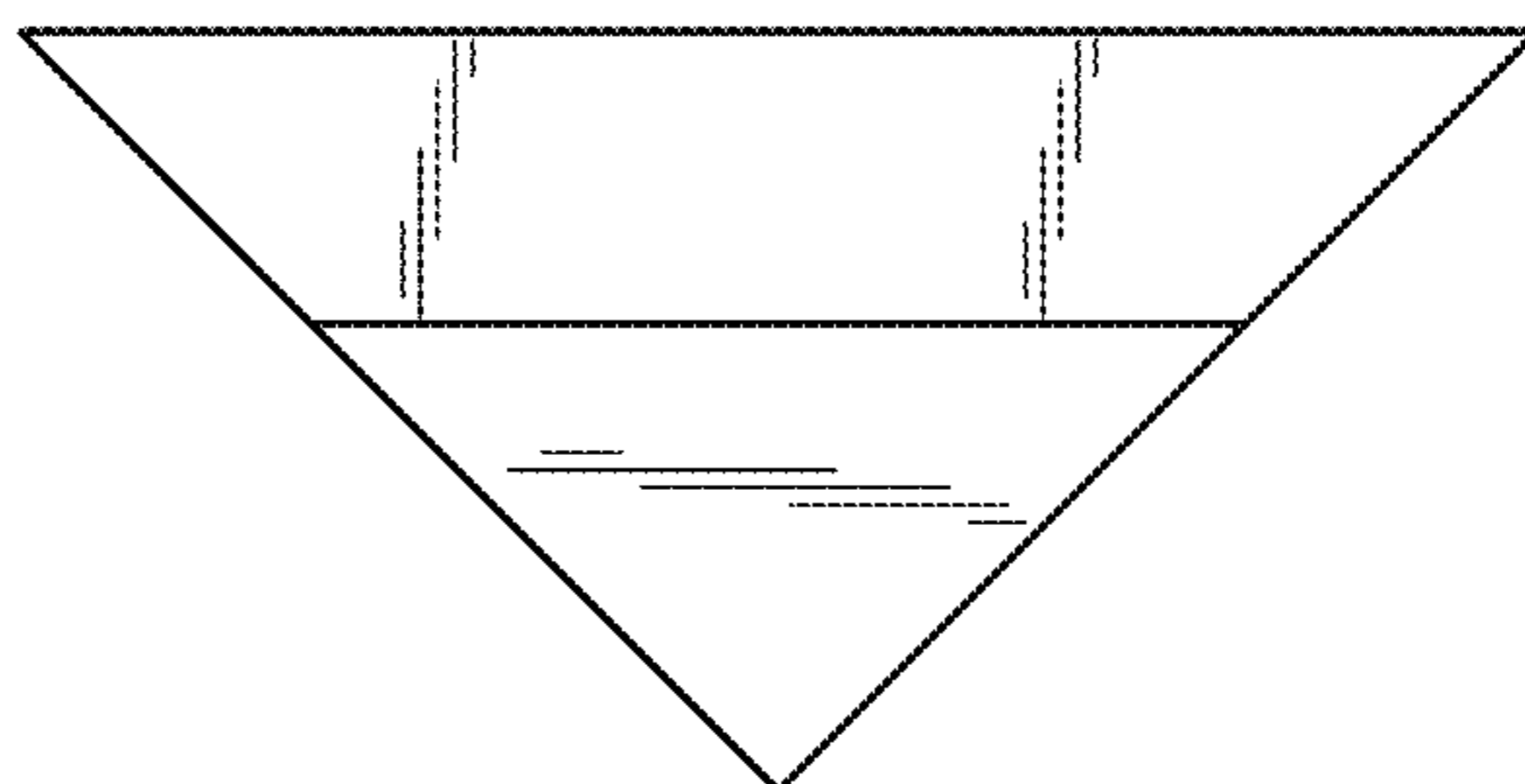


FIG. 6



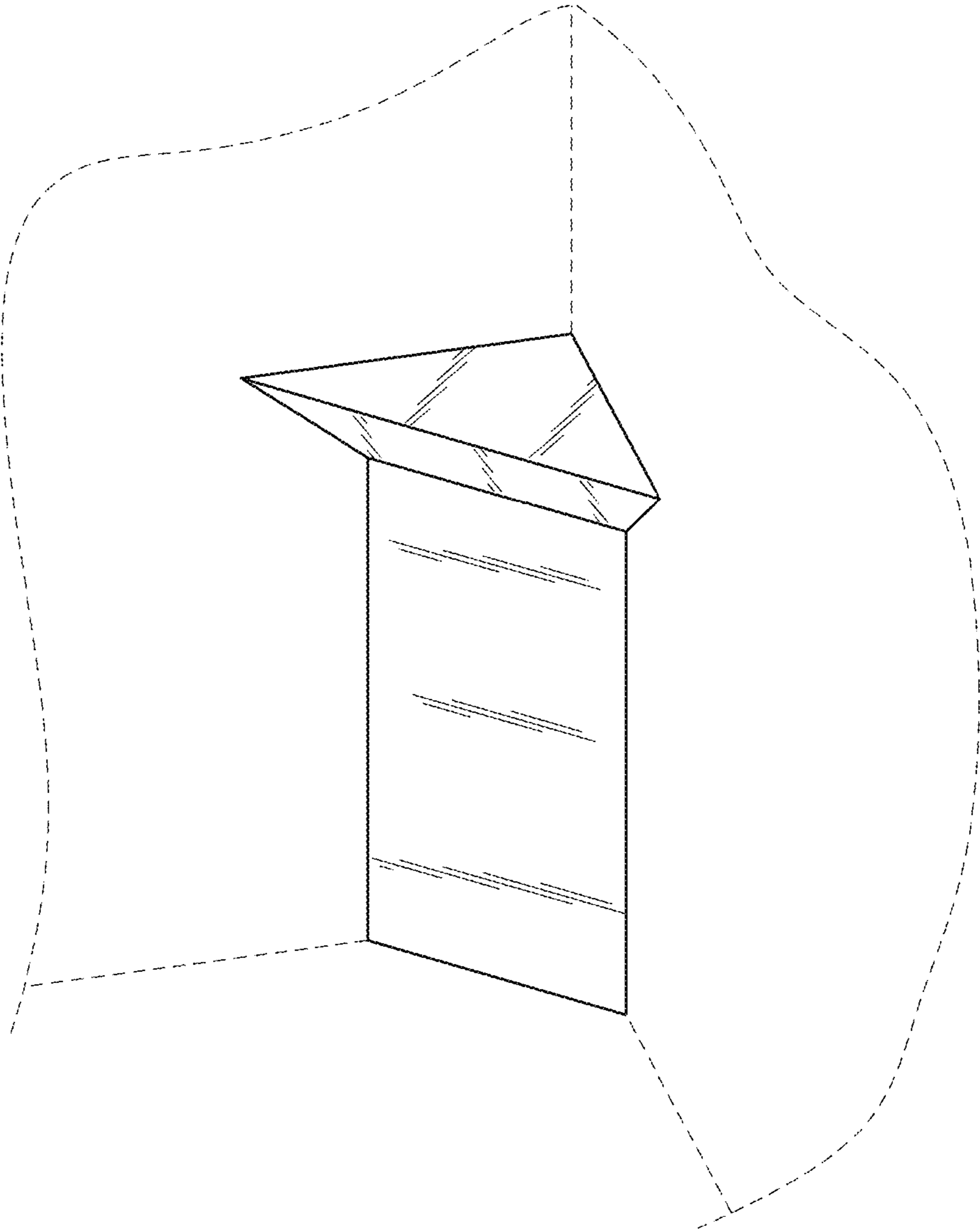


FIG. 7