



US00D773191S

(12) **United States Design Patent** (10) **Patent No.:** **US D773,191 S**
Yeung (45) **Date of Patent:** **** Dec. 6, 2016**

(54) **FLAP FOR A BAG**
 (71) Applicant: **United Team Development, Ltd.**, Kwai Chung (HK)
 (72) Inventor: **Tony Wang Yeung**, Koowloon (HK)
 (73) Assignee: **United Team Development, Ltd.**, Kwai Chung, NT (HK)

6,510,974	B2	1/2003	Willingham et al.
6,769,585	B2	8/2004	Santaniello et al.
7,374,071	B2	5/2008	Lavelle
7,886,786	B1	2/2011	Christie
7,946,322	B2	5/2011	Valvano et al.
8,220,510	B2	7/2012	Armstrong et al.
D677,897	S *	3/2013	Jones D3/318
D749,850	S *	2/2016	Kuster D3/318
2015/0068933	A1	3/2015	So et al.
2015/0090757	A1	4/2015	Lin

(**) Term: **15 Years**

(21) Appl. No.: **29/540,260**

(22) Filed: **Sep. 22, 2015**

(51) **LOC (10) Cl.** **03-01**

(52) **U.S. Cl.**
USPC **D3/318**

(58) **Field of Classification Search**
USPC D3/243, 318
CPC A45C 13/08; A45C 13/00
See application file for complete search history.

(56) **References Cited**

U.S. PATENT DOCUMENTS

1,674,153	A *	6/1928	Appel A45C 15/04
			132/301
D231,415	S *	4/1974	Weber D3/11
D325,126	S *	4/1992	Costello D3/203.8
5,255,834	A	10/1993	Bendersky
D343,061	S *	1/1994	Myers D3/237
D351,281	S *	10/1994	Petryk D3/226
D379,713	S *	6/1997	MacLean D3/232

FOREIGN PATENT DOCUMENTS

DE 20 2004 018 616 U1 4/2005

* cited by examiner

Primary Examiner — Holly Baynham

(74) *Attorney, Agent, or Firm* — Merchant & Gould P.C.

(57) **CLAIM**

The ornamental design for a flap for a bag, as shown and described.

DESCRIPTION

FIG. 1 is a front perspective view of the flap for a bag.

FIG. 2 is a front view thereof.

FIG. 3 is a first side view thereof.

FIG. 4 is a second side view thereof; and,

FIG. 5 is another front view thereof with the flap in an unlatched position.

The broken lines showing the bag are included for the purpose of illustrating environment and form no part of the claimed design.

1 Claim, 5 Drawing Sheets

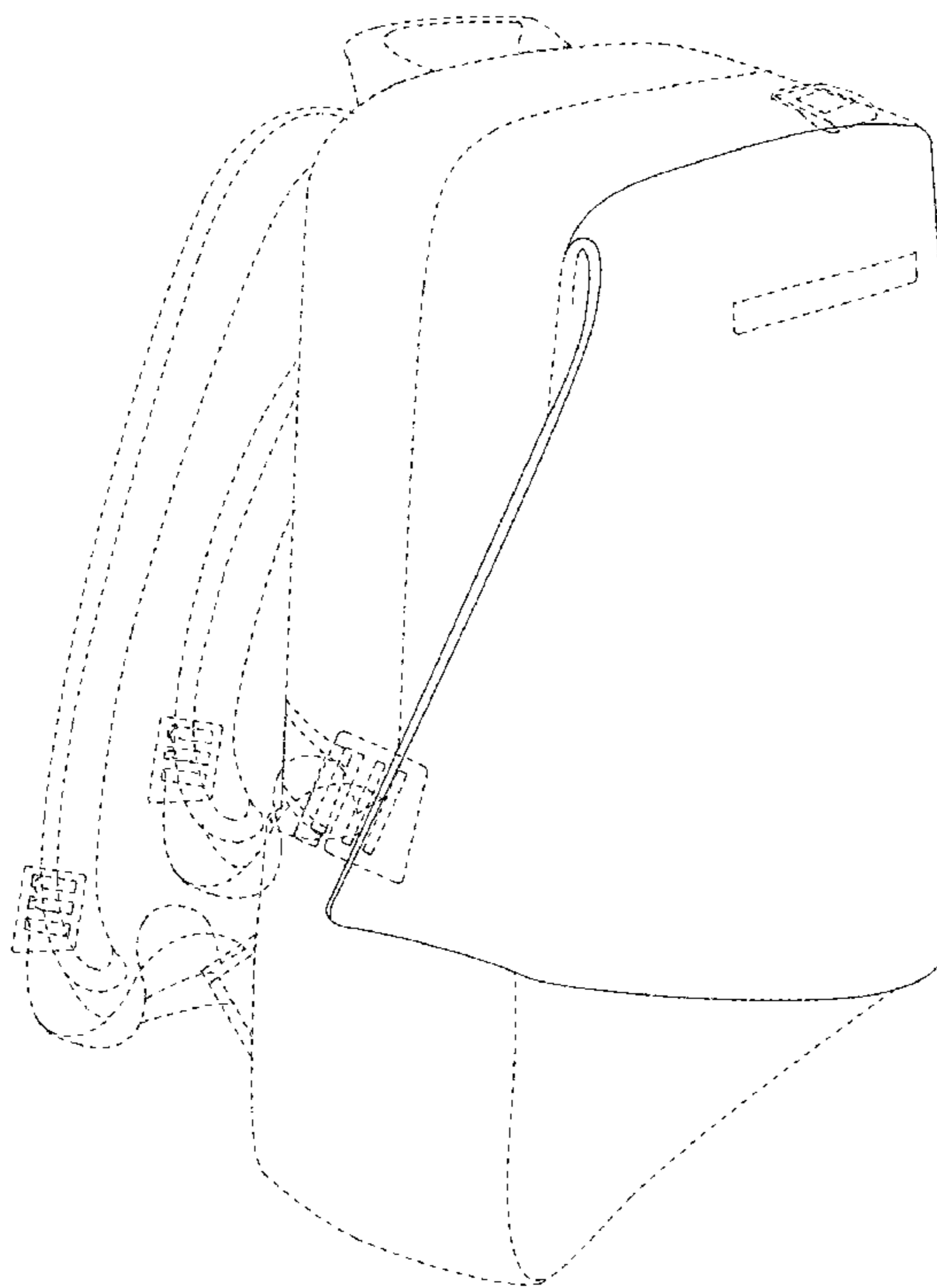


FIG. 1

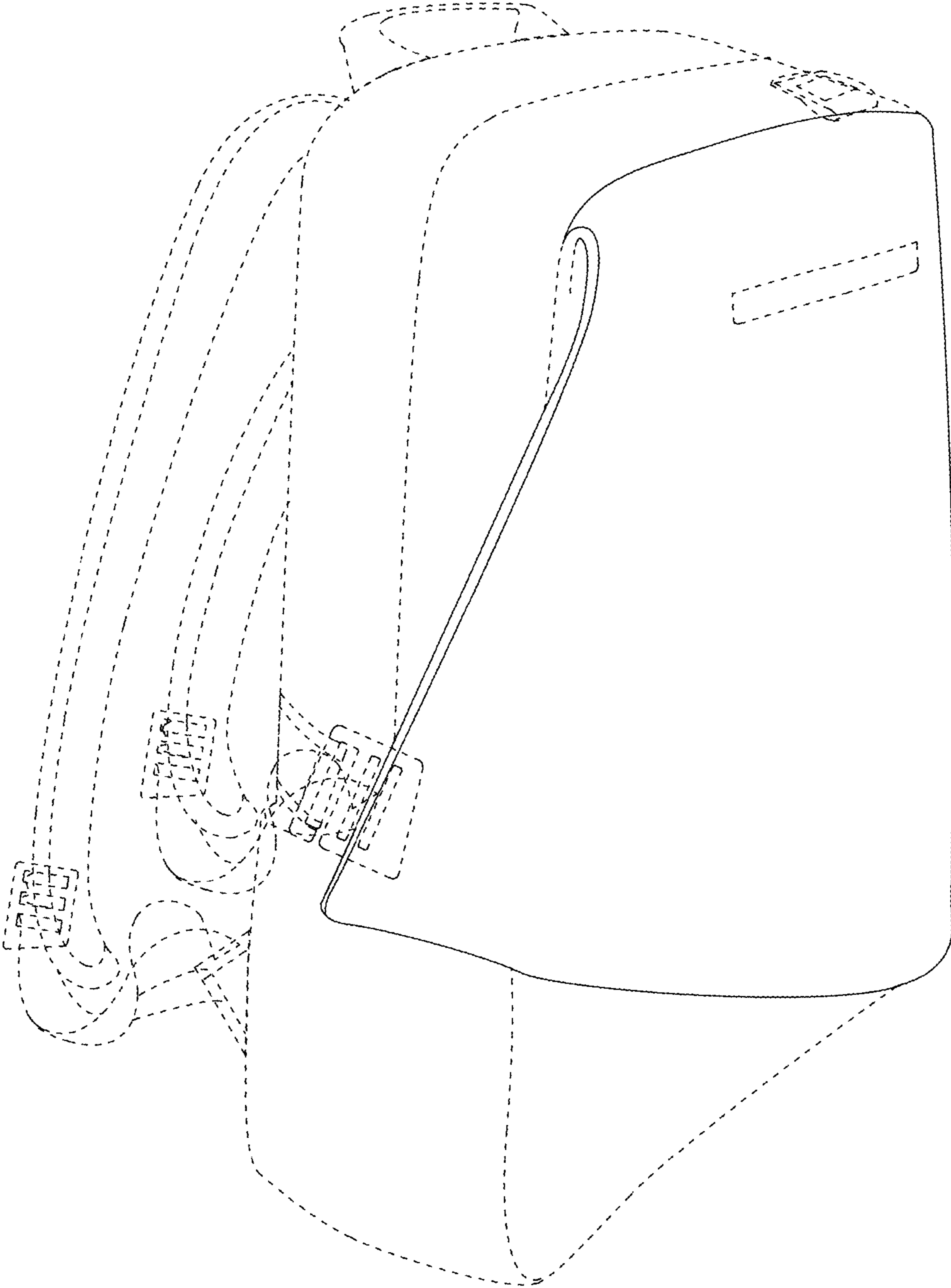


FIG. 2

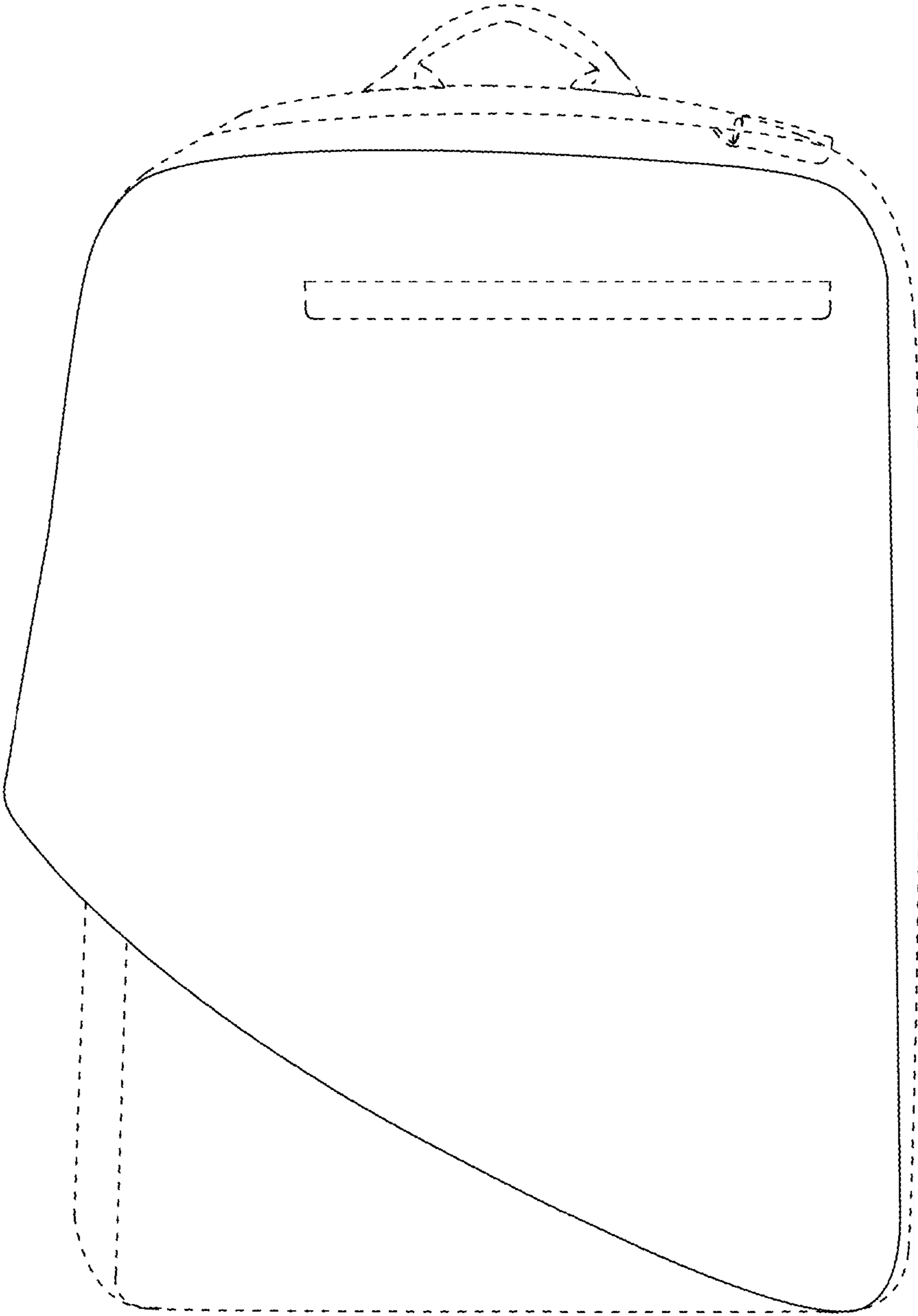


FIG. 3

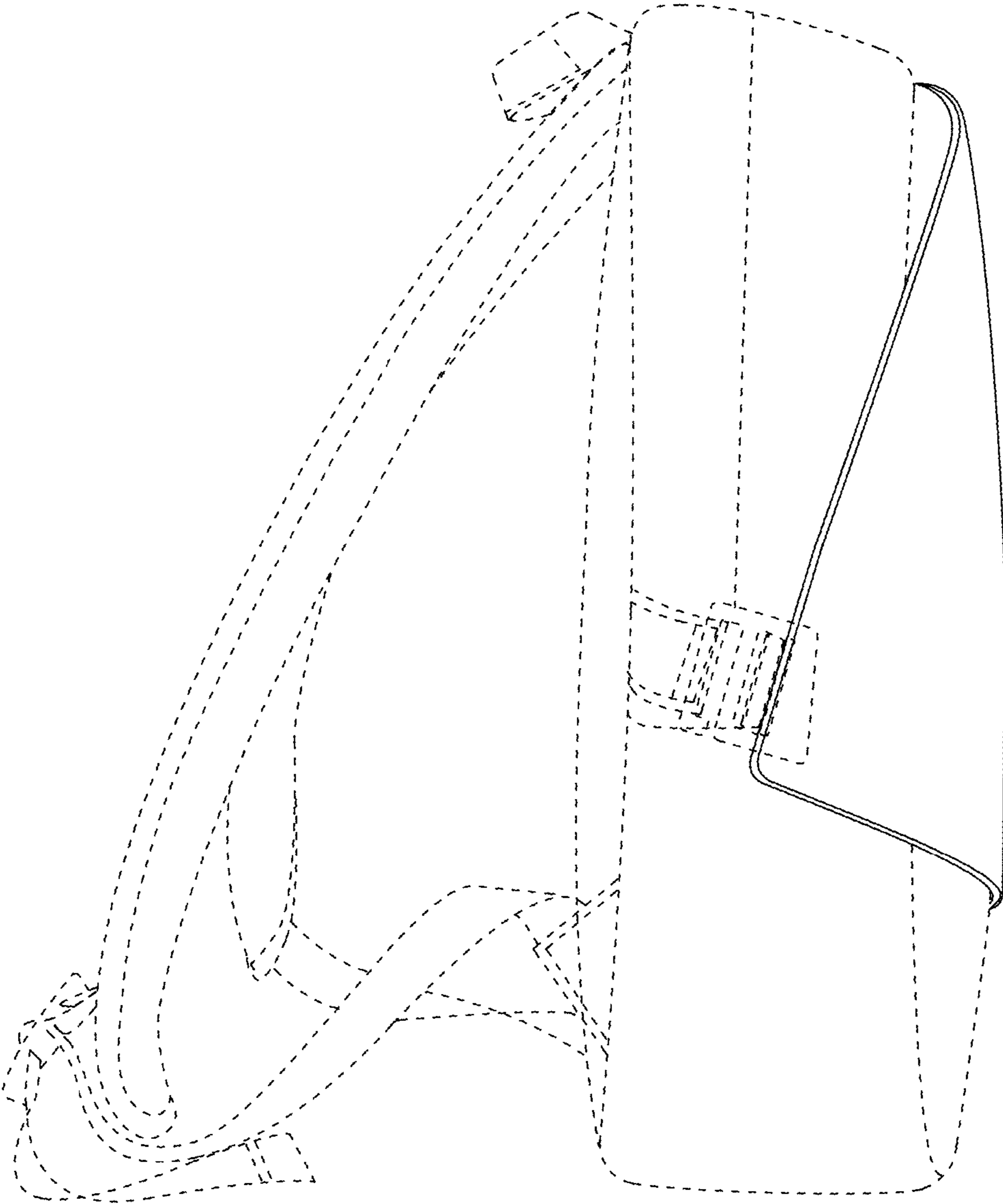


FIG. 4

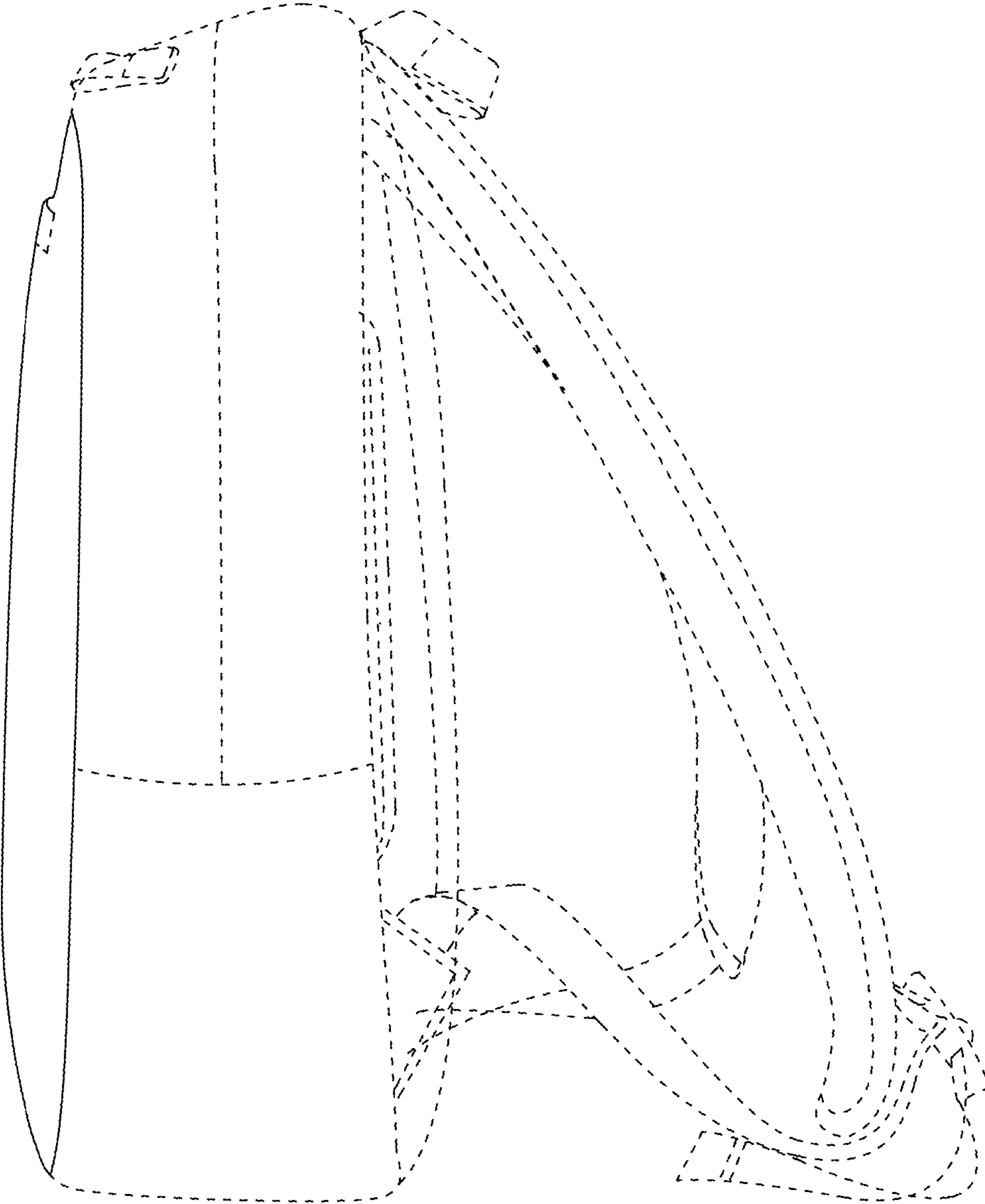


FIG. 5

