



US00D773190S

(12) **United States Design Patent**
Rowland

(10) **Patent No.:** **US D773,190 S**

(45) **Date of Patent:** **** Dec. 6, 2016**

(54) **CARRYING CASE WITH ATTACHMENT**

D695,007 S * 12/2013 Zhang D3/218
D718,930 S * 12/2014 Cabana D3/215
9,392,853 B2 * 7/2016 Lawler A45C 11/00

(71) Applicant: **Bill G. Rowland**, Paragould, AR (US)

* cited by examiner

(72) Inventor: **Bill G. Rowland**, Paragould, AR (US)

Primary Examiner — Holly Baynham

(**) Term: **15 Years**

(74) *Attorney, Agent, or Firm* — Schrantz Law Firm, PLLC; Stephen D. Schrantz

(21) Appl. No.: **29/528,964**

(57) **CLAIM**

(22) Filed: **Jun. 2, 2015**

The ornamental design for a carrying case with attachment, as shown and described.

(51) **LOC (10) Cl.** **03-01**

DESCRIPTION

(52) **U.S. Cl.**

USPC **D3/318**

(58) **Field of Classification Search**

USPC D3/215, 218, 318

CPC A45C 11/00

See application file for complete search history.

FIG. 1 is a front perspective view showing my new design;
FIG. 2 is a front view thereof;
FIG. 3 is a right side view thereof;
FIG. 4 is a rear view thereof;
FIG. 5 is a left side view thereof;
FIG. 6 is a top view thereof;
FIG. 7 is a bottom view thereof;
FIG. 8 is an environmental view thereof; and,
FIG. 9 is an environmental view thereof.

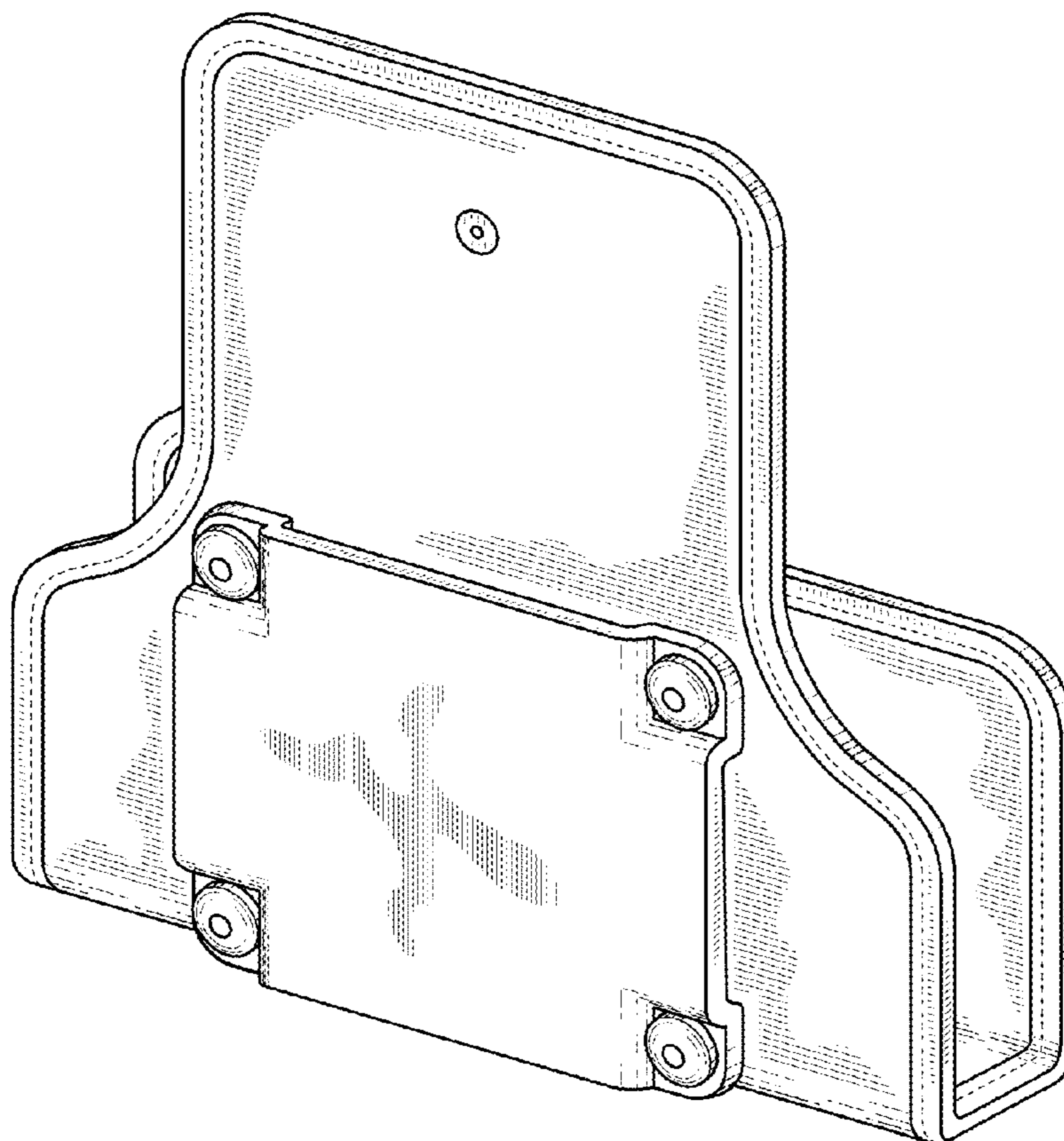
(56) **References Cited**

U.S. PATENT DOCUMENTS

D379,868 S * 6/1997 Robinson D3/215
D606,303 S * 12/2009 Fahrendorff D3/218
D611,702 S * 3/2010 Fahrendorff D3/218
D630,428 S * 1/2011 Hong D3/222
D635,354 S * 4/2011 Uchida D3/218
D685,991 S * 7/2013 Pearce D3/218

The evenly spaced broken lines showing stitching and the dot dash dot dashed broken lines showing a portion of a belt are for the purposes of illustrating environment and form no part of the claimed design.

1 Claim, 7 Drawing Sheets



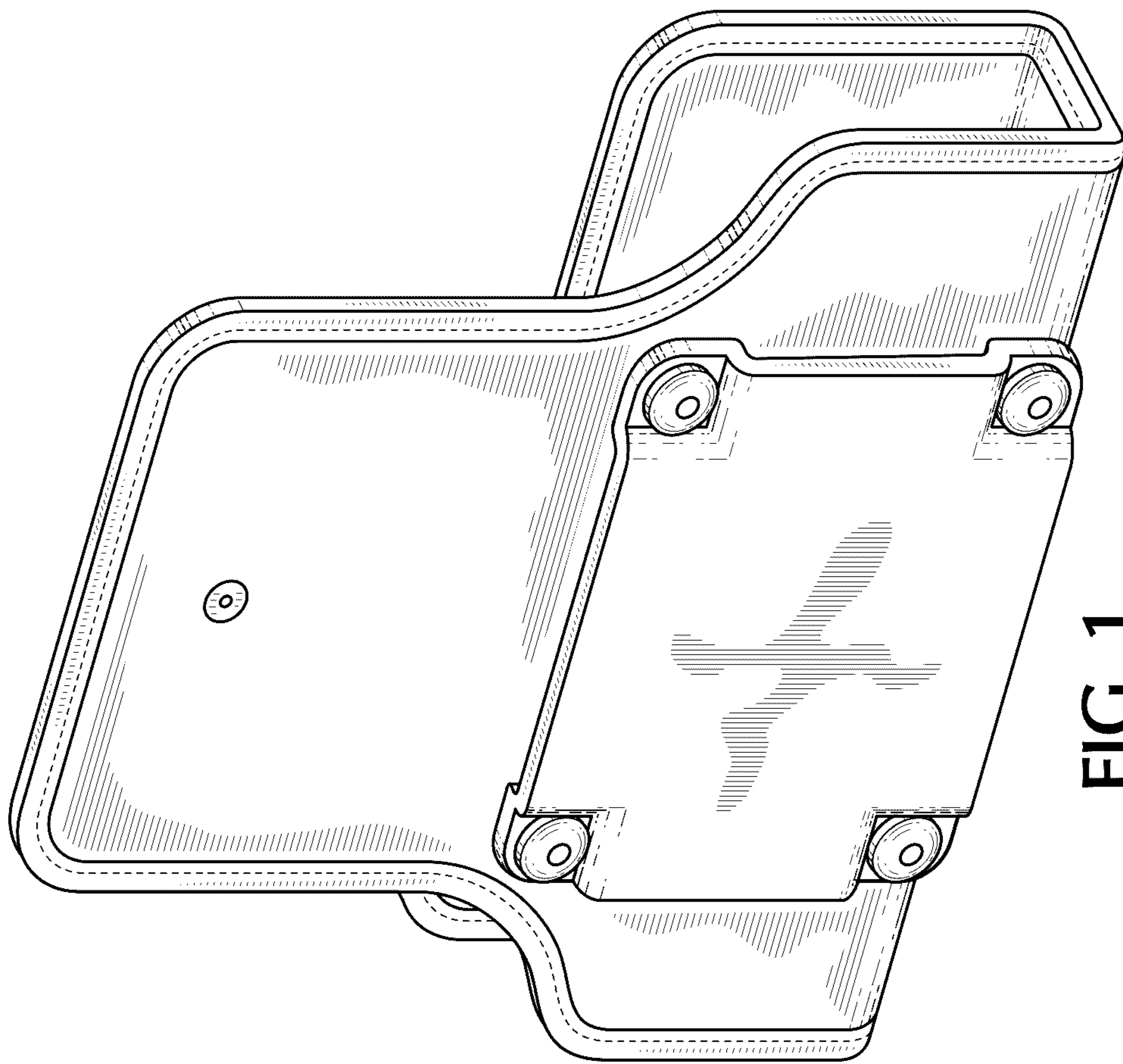


FIG. 1

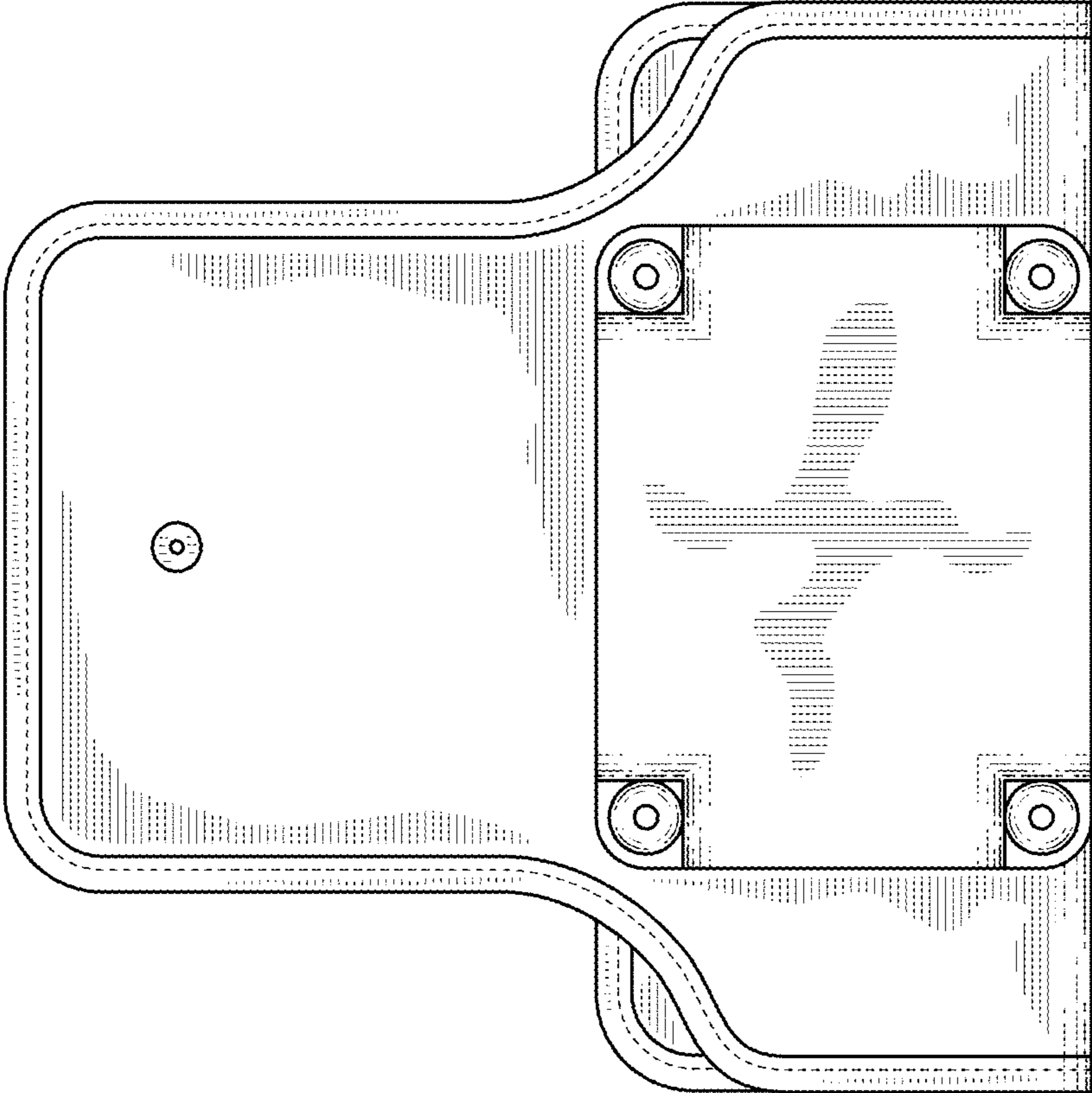


FIG. 2

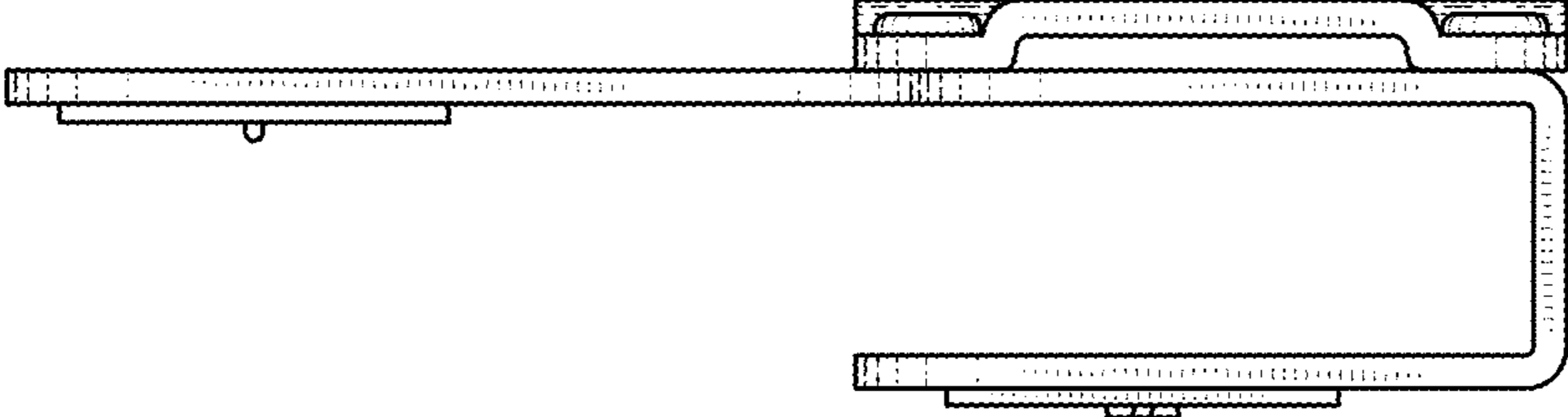


FIG. 5

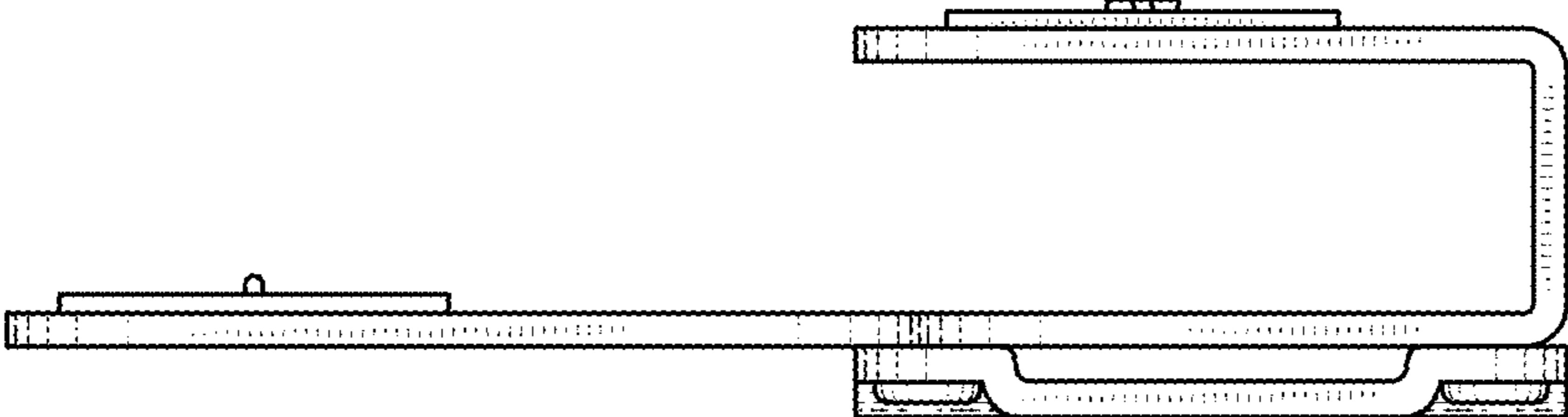


FIG. 3

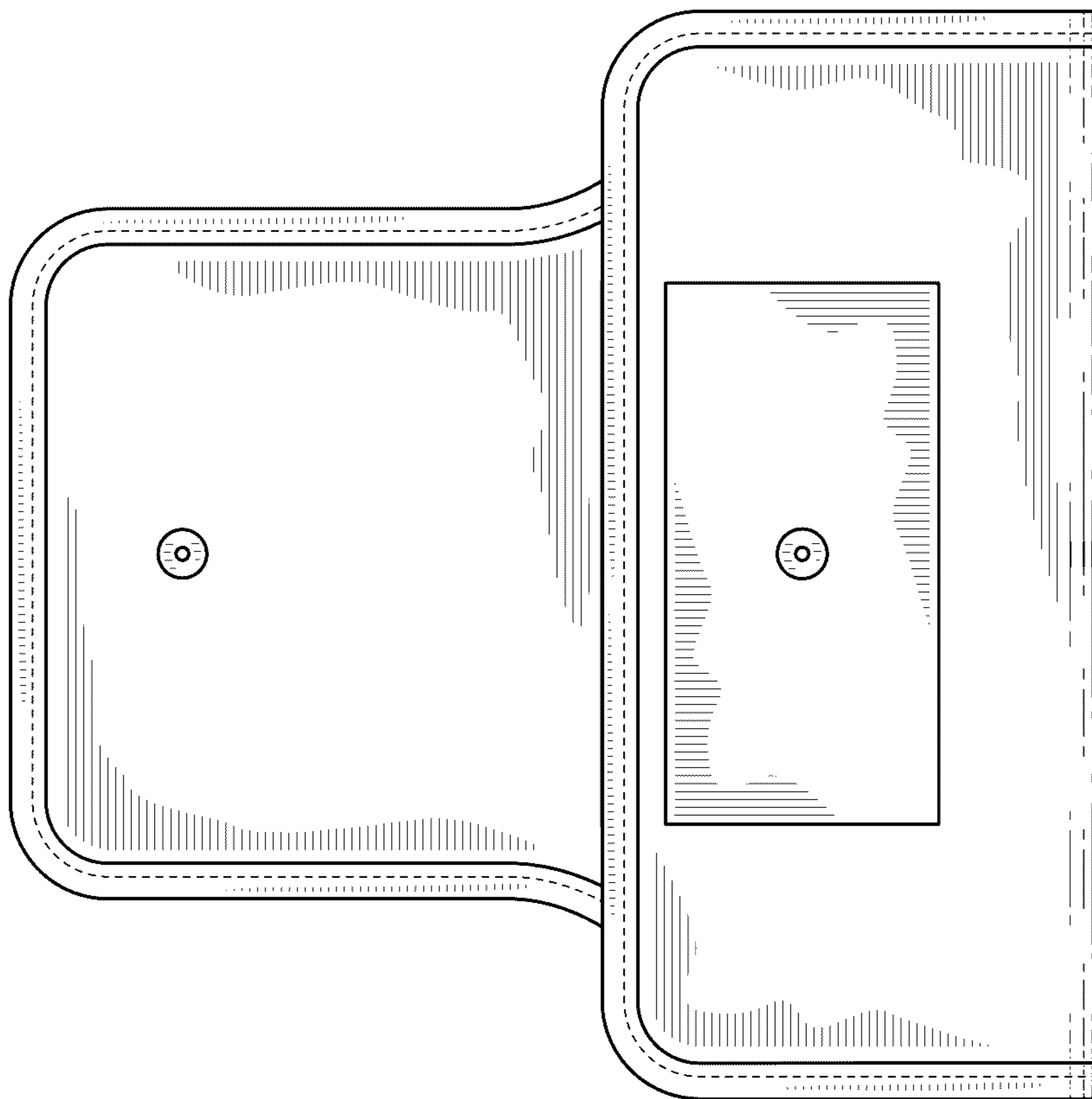


FIG. 4

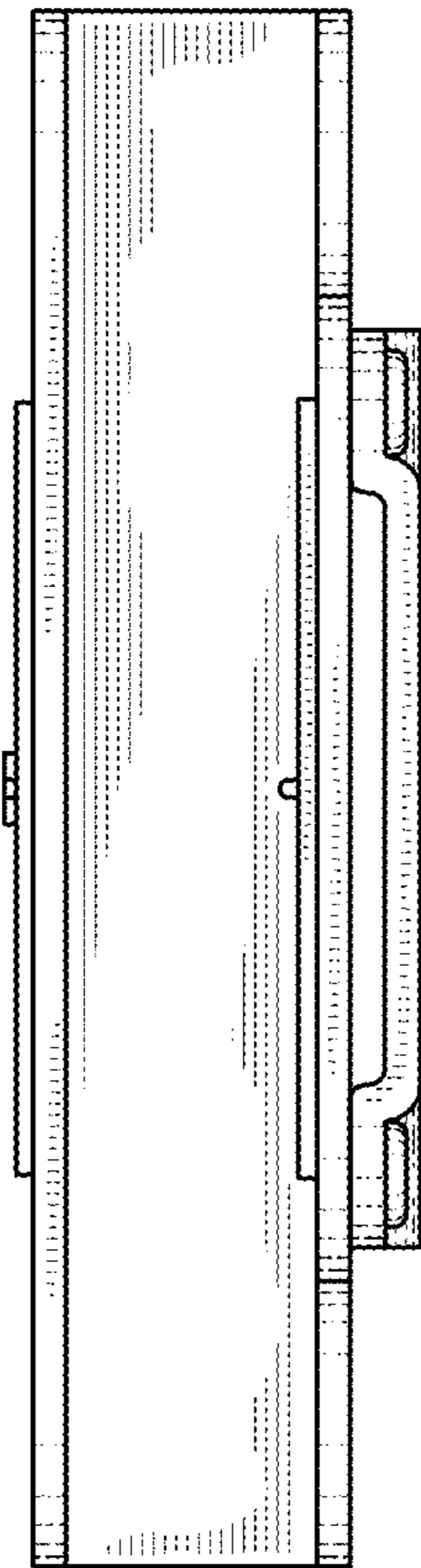


FIG. 6

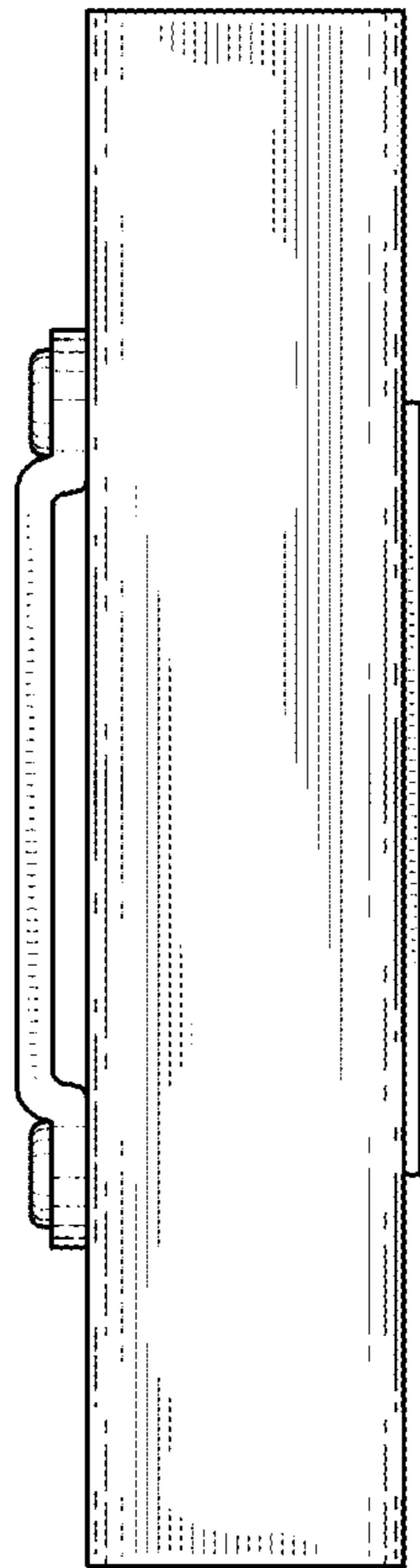


FIG. 7

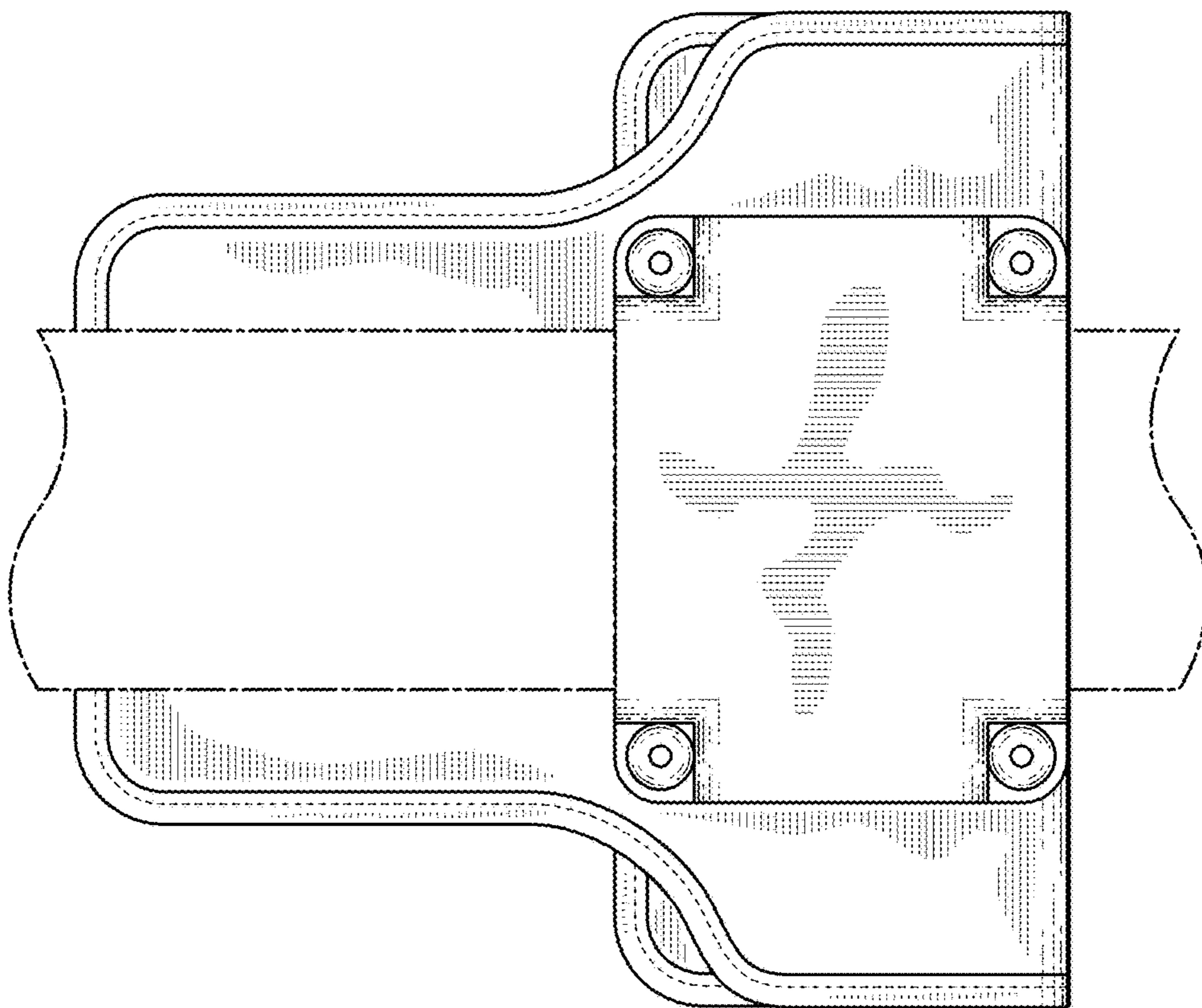


FIG. 8

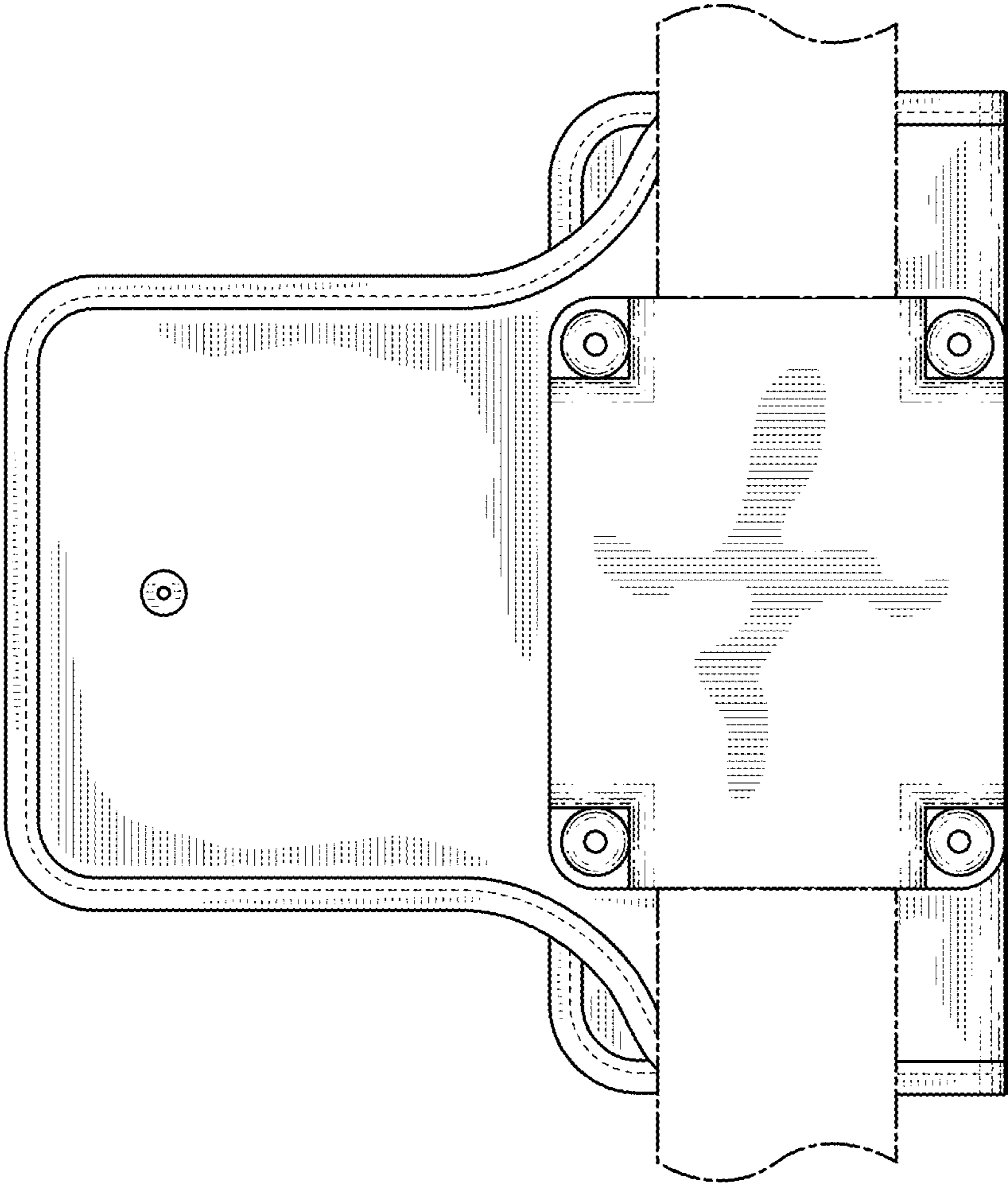


FIG. 9