



US00D773189S

(12) **United States Design Patent**
Reinhart

(10) **Patent No.:** **US D773,189 S**
(45) **Date of Patent:** **** Dec. 6, 2016**

- (54) **CONTOURED HANDLE**
- (71) Applicant: **Centrex Plastics, LLC**, Findlay, OH (US)
- (72) Inventor: **Nickolas Reinhart**, Findlay, OH (US)
- (73) Assignee: **CENTREX PLASTICS, LLC**, Findlay, OH (US)
- (**) Term: **14 Years**
- (21) Appl. No.: **29/525,572**
- (22) Filed: **Apr. 30, 2015**
- (51) **LOC (10) Cl.** **03-01**
- (52) **U.S. Cl.**
USPC **D3/318**
- (58) **Field of Classification Search**
USPC D3/318, 323, 201, 221, 272-274, 276, D3/279, 326, 302; D9/434, 439, 424, 425, D9/432, 435, 443, 499; D8/300-322, D8/330-348; 206/508, 510; 190/119, 120, 190/121; D7/391, 387, 601, 602
CPC ... B65D 43/00; B65D 43/163; B65D 43/164
See application file for complete search history.

D598,197 S *	8/2009	Ahlstrom	D3/323
D607,641 S *	1/2010	Chen	D3/318
D677,116 S *	3/2013	Smyers	D7/391
D701,044 S *	3/2014	Kishimoto	D3/272
D744,240 S *	12/2015	Reinhart	D3/302
D747,171 S *	1/2016	Linares	D8/315
D766,577 S *	9/2016	Reinhart	D3/318

* cited by examiner

Primary Examiner — Susan Bennett Hattan
Assistant Examiner — Rebecca Tsehaye
(74) *Attorney, Agent, or Firm* — Fraser Clemens Martin & Miller LLC; Jacob M. Ward

(57) **CLAIM**

The ornamental design for a contoured handle, as shown and described.

DESCRIPTION

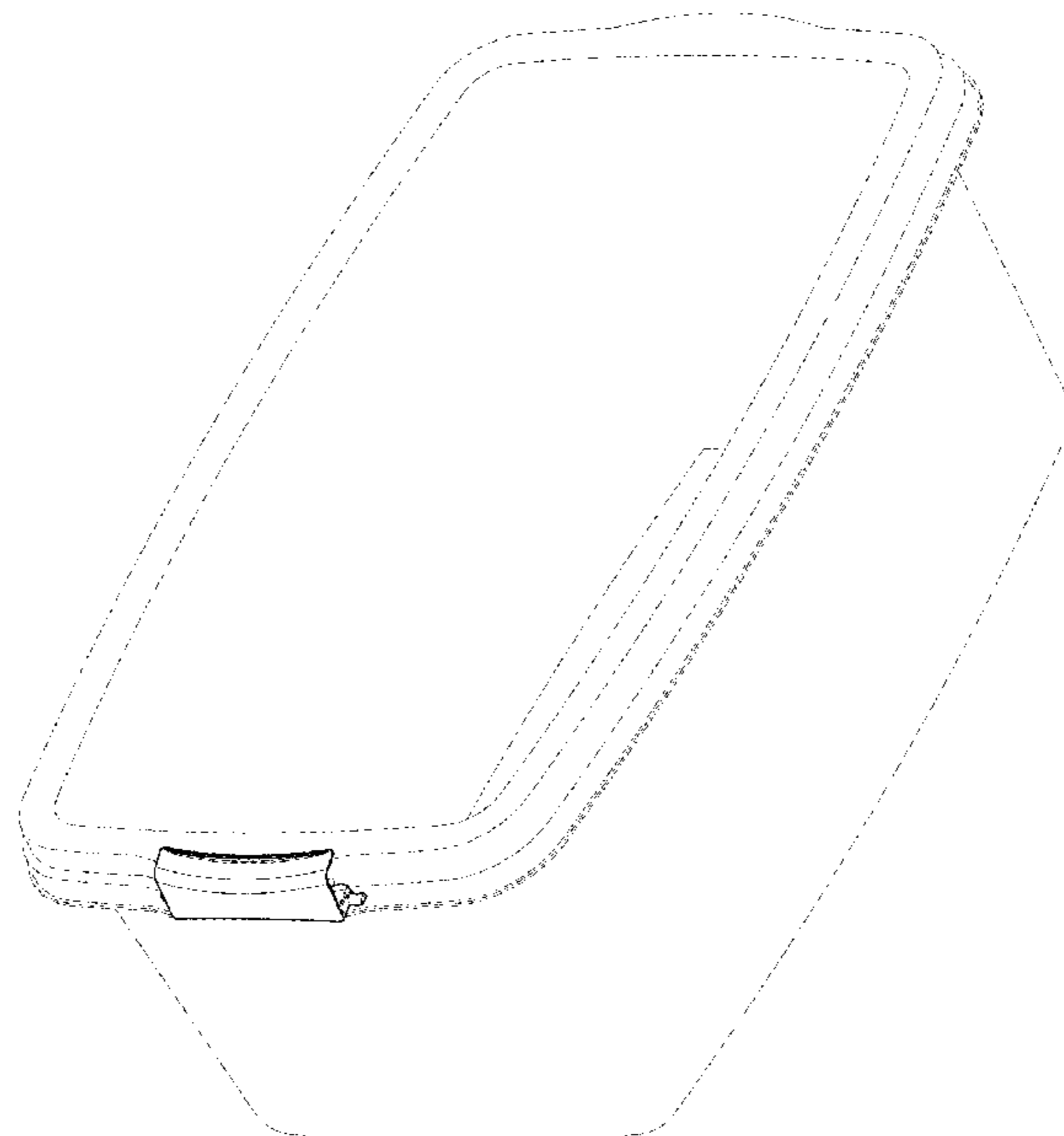
FIG. 1 is a top perspective view of a contoured handle for a tote;
FIG. 2 is an enlarged bottom perspective view of the contoured handle of FIG. 1;
FIG. 3 is a top plan view thereof;
FIG. 4 is a bottom plan view thereof;
FIG. 5 is a right side elevational view thereof;
FIG. 6 is a left side elevational view thereof; and,
FIG. 7 is a front elevational view thereof.
A rear elevational view is not shown because it is a mirror image of the front elevational view shown in FIG. 7.
The broken lines shown in FIG. 1 depict environmental subject matter only and form no part of the claimed design.

1 Claim, 4 Drawing Sheets

(56) **References Cited**

U.S. PATENT DOCUMENTS

D325,509 S *	4/1992	Cameron	D9/434
D376,260 S *	12/1996	Haley	D3/323
D394,554 S *	5/1998	Mann	D3/323
D502,319 S *	3/2005	Krebs	D3/323
D514,811 S *	2/2006	Koo	D3/323
D565,303 S *	4/2008	Åhman	D3/323



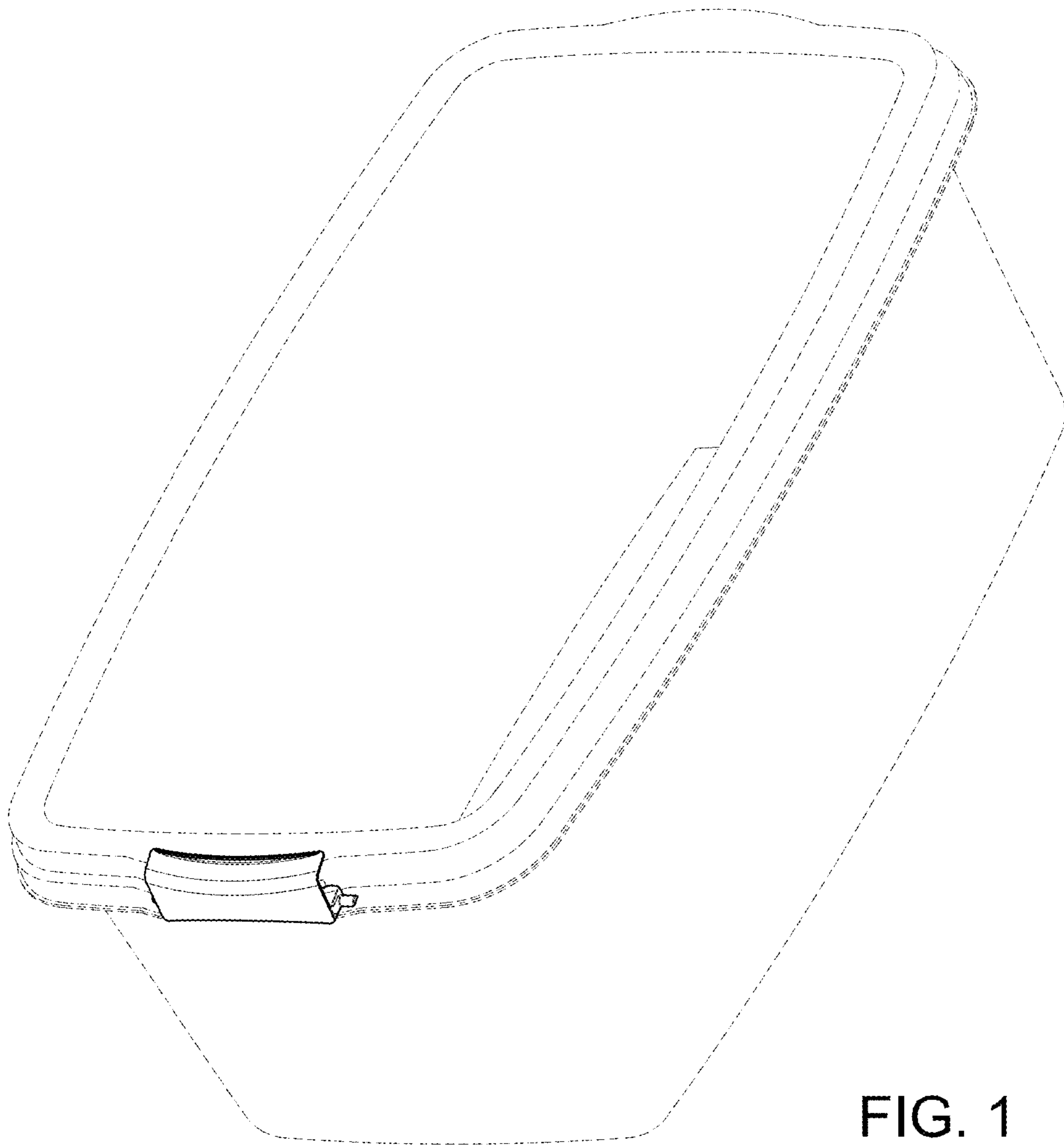


FIG. 1

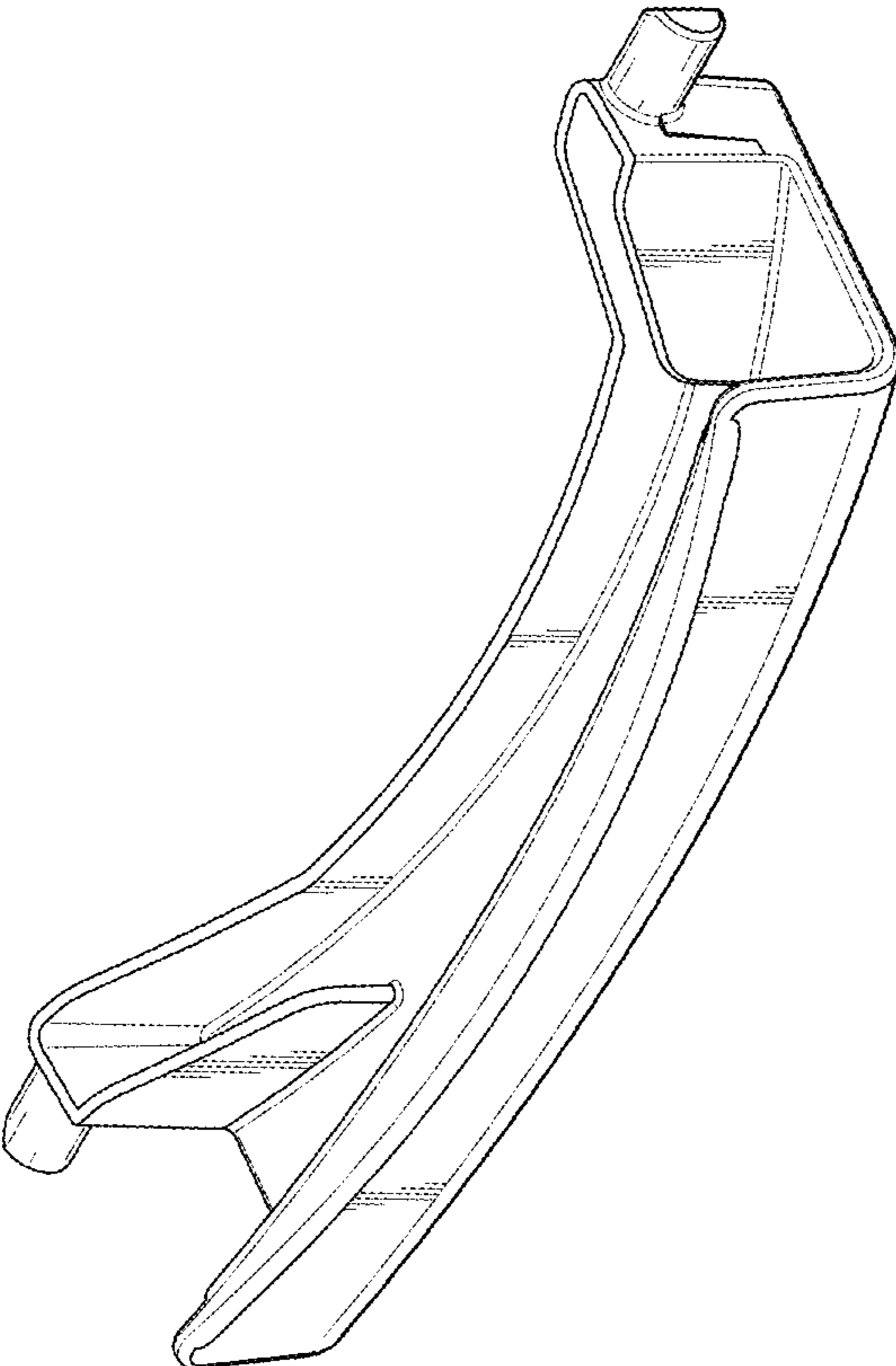


FIG. 2

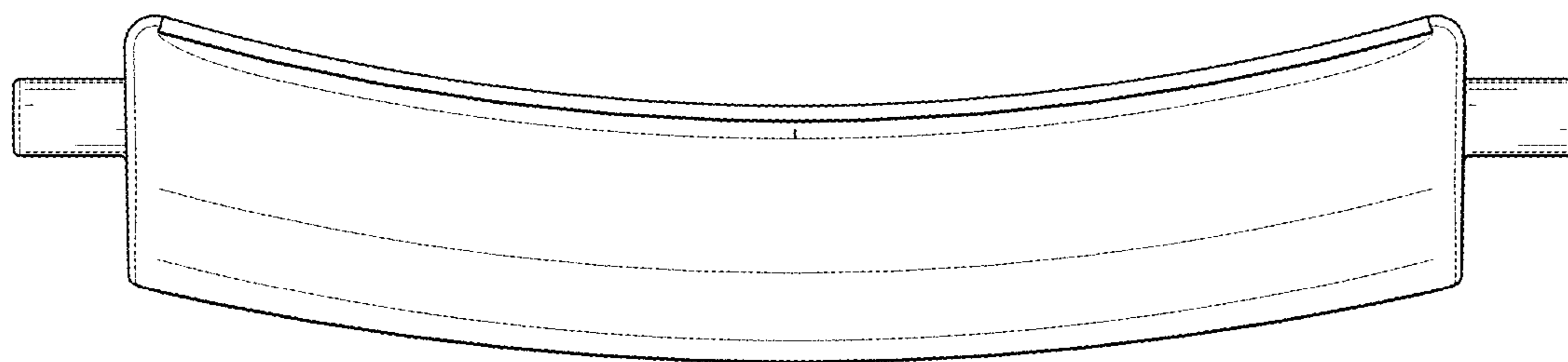


FIG. 3

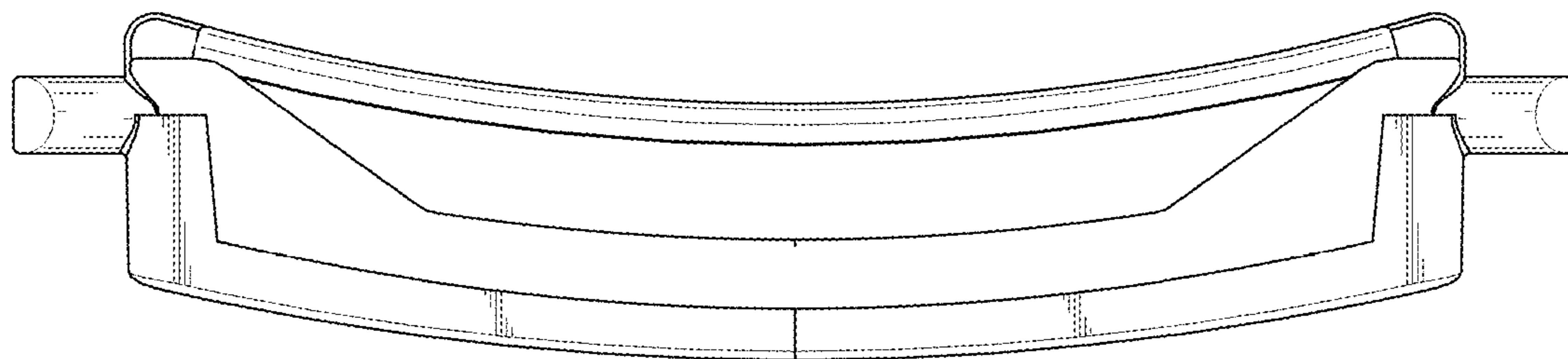


FIG. 4

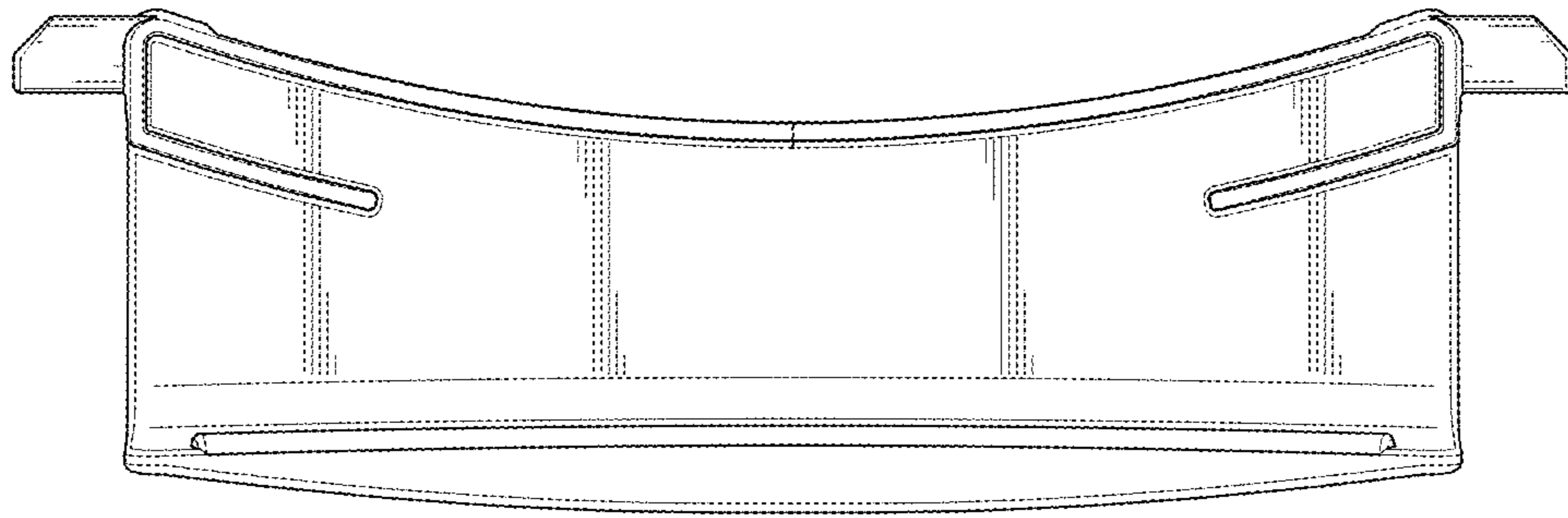


FIG. 5

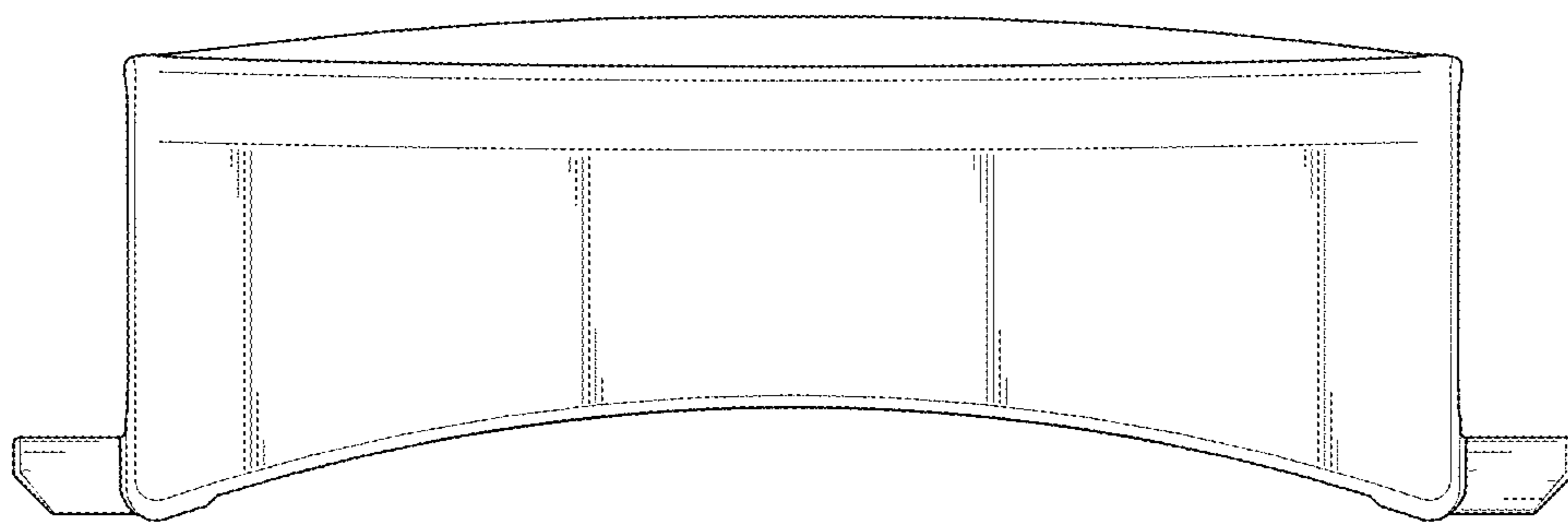


FIG. 6

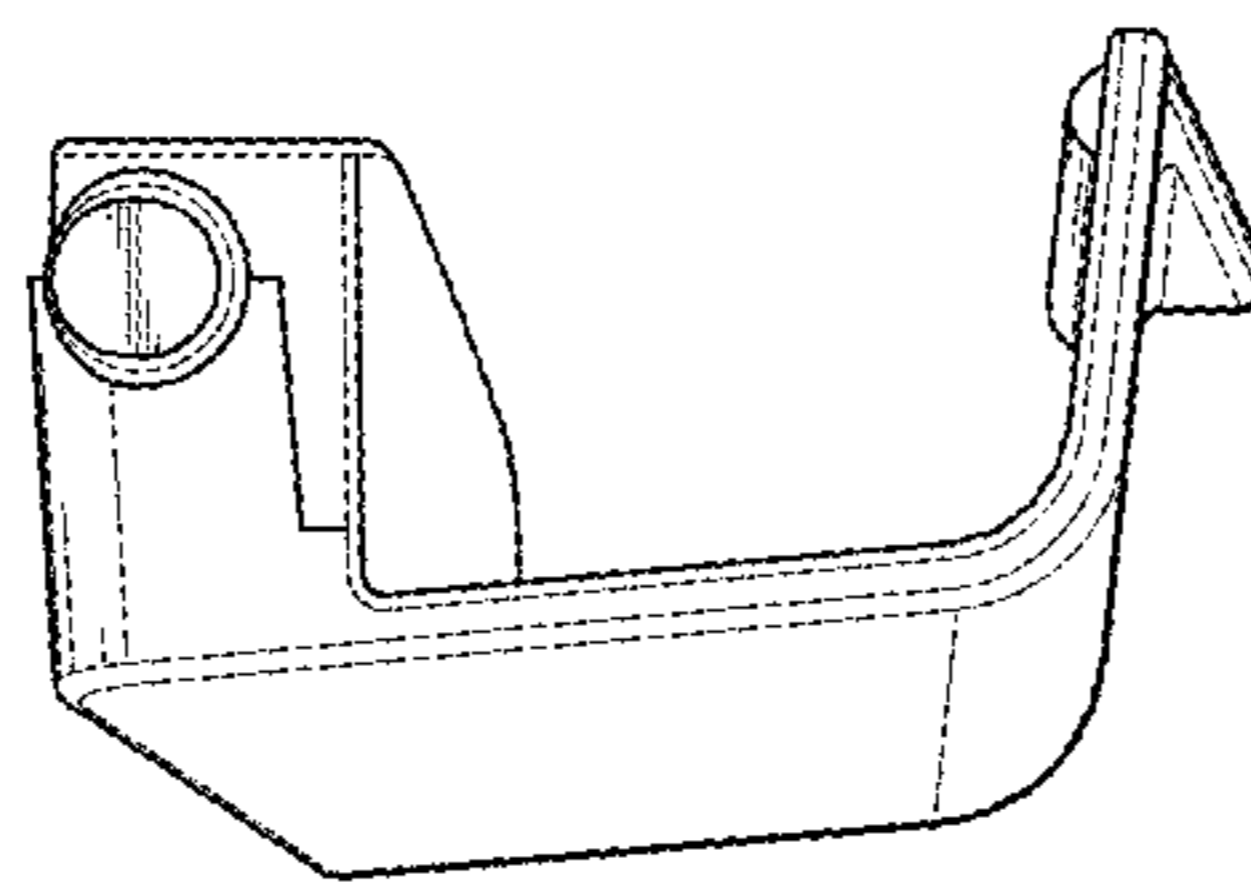


FIG. 7