



US00D773188S

(12) **United States Design Patent** (10) **Patent No.:** **US D773,188 S**
Aquino et al. (45) **Date of Patent:** **** Dec. 6, 2016**

- (54) **CRATE**
- (71) Applicant: **PepsiCo, Inc.**, Purchase, NY (US)
- (72) Inventors: **Matthieu Aquino**, New York, NY (US);
Federico Casotto, Bologna (IT);
Gustavo De Souza Messias, Milan (IT)
- (73) Assignee: **PepsiCo, Inc.**, Purchase, NY (US)
- (**) Term: **14 Years**
- (21) Appl. No.: **29/524,598**
- (22) Filed: **Apr. 21, 2015**
- (51) **LOC (10) Cl.** **03-01**
- (52) **U.S. Cl.**
USPC **D3/304**
- (58) **Field of Classification Search**
USPC D3/304, 307-308, 315, 318; D6/672,
D6/673, 675
CPC B65D 19/02; B65D 19/00; B65D 19/38
See application file for complete search history.

D360,758 S *	8/1995	Umiker	D3/304
D360,979 S *	8/1995	Steffensen	D3/313
D370,344 S *	6/1996	Kim	D3/305
D619,889 S *	7/2010	Short	D9/425
D665,846 S *	8/2012	Chuang	D19/90
D722,946 S *	2/2015	Armstrong	D12/407
D753,393 S *	4/2016	Haas	D3/272

* cited by examiner

Primary Examiner — Kelley Donnelly
(74) *Attorney, Agent, or Firm* — Sterne, Kessler,
Goldstein & Fox P.L.L.C.

(57) **CLAIM**

The ornamental design for a crate, as shown and described.

DESCRIPTION

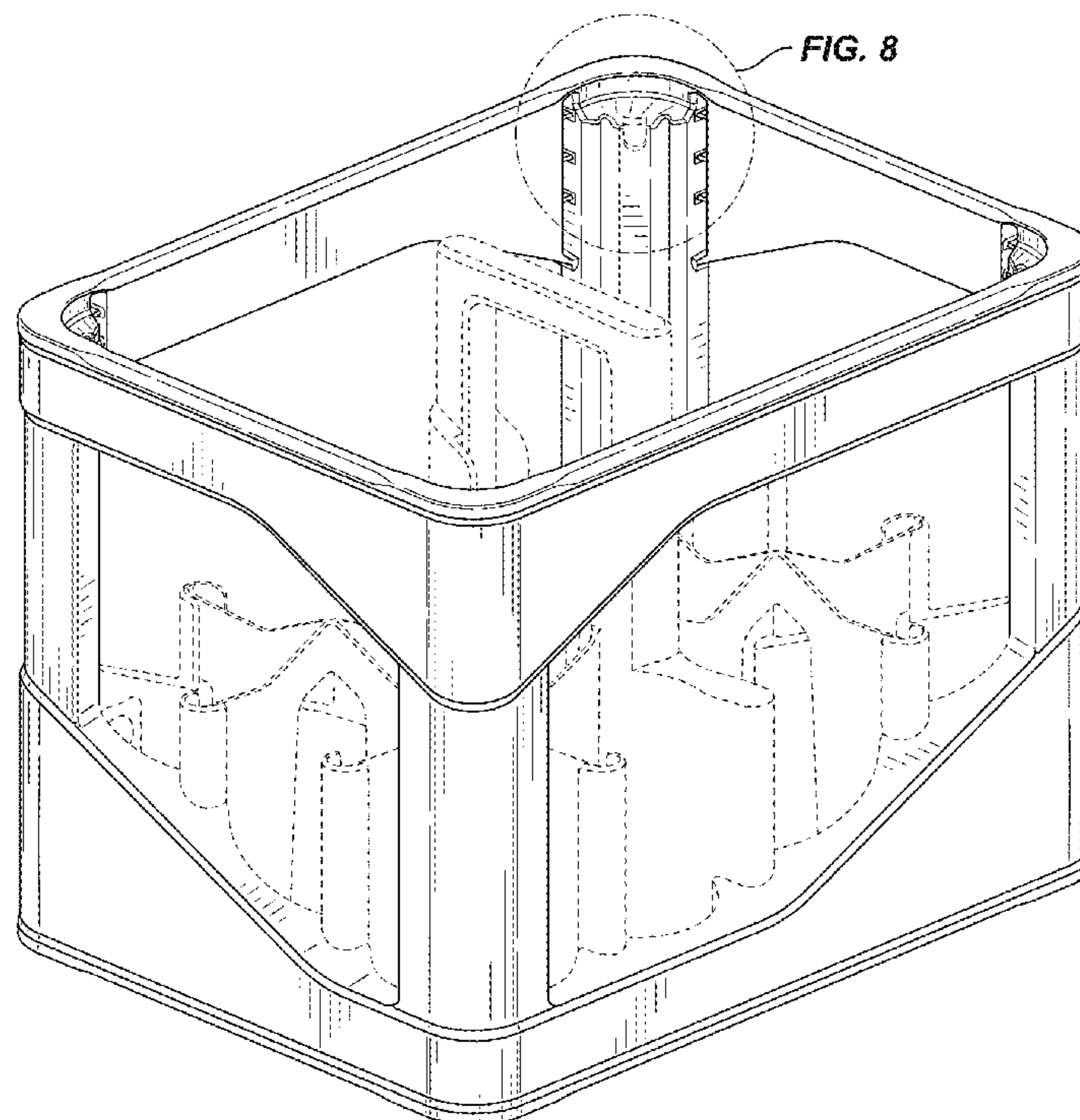
FIG. 1 is a top, front, left perspective view of a crate showing the claimed design;
FIG. 2 is a top, rear, right perspective view thereof;
FIG. 3 is a front view thereof;
FIG. 4 is a rear view thereof;
FIG. 5 is a left side view thereof;
FIG. 6 is a right side view thereof;
FIG. 7 is a top, front, left perspective view thereof, wherein select matter is omitted for clarity; and,
FIG. 8 is an enlarged, fragmentary view of a portion of the crate.
The dashed broken lines in the figures show portions of the crate that form no part of the claimed design.

1 Claim, 6 Drawing Sheets

(56) **References Cited**

U.S. PATENT DOCUMENTS

D217,901 S *	6/1970	Rehrig	D3/311
D231,771 S *	6/1974	Gary et al.	D3/312
D234,679 S *	4/1975	Hirota	D3/311
D246,287 S *	11/1977	Tietz	D3/311
D275,142 S *	8/1984	Torokvei	D3/312
D326,346 S *	5/1992	Osakada	D3/311
D356,679 S *	3/1995	Apps	D3/304
D359,850 S *	7/1995	Staubitz	D3/314



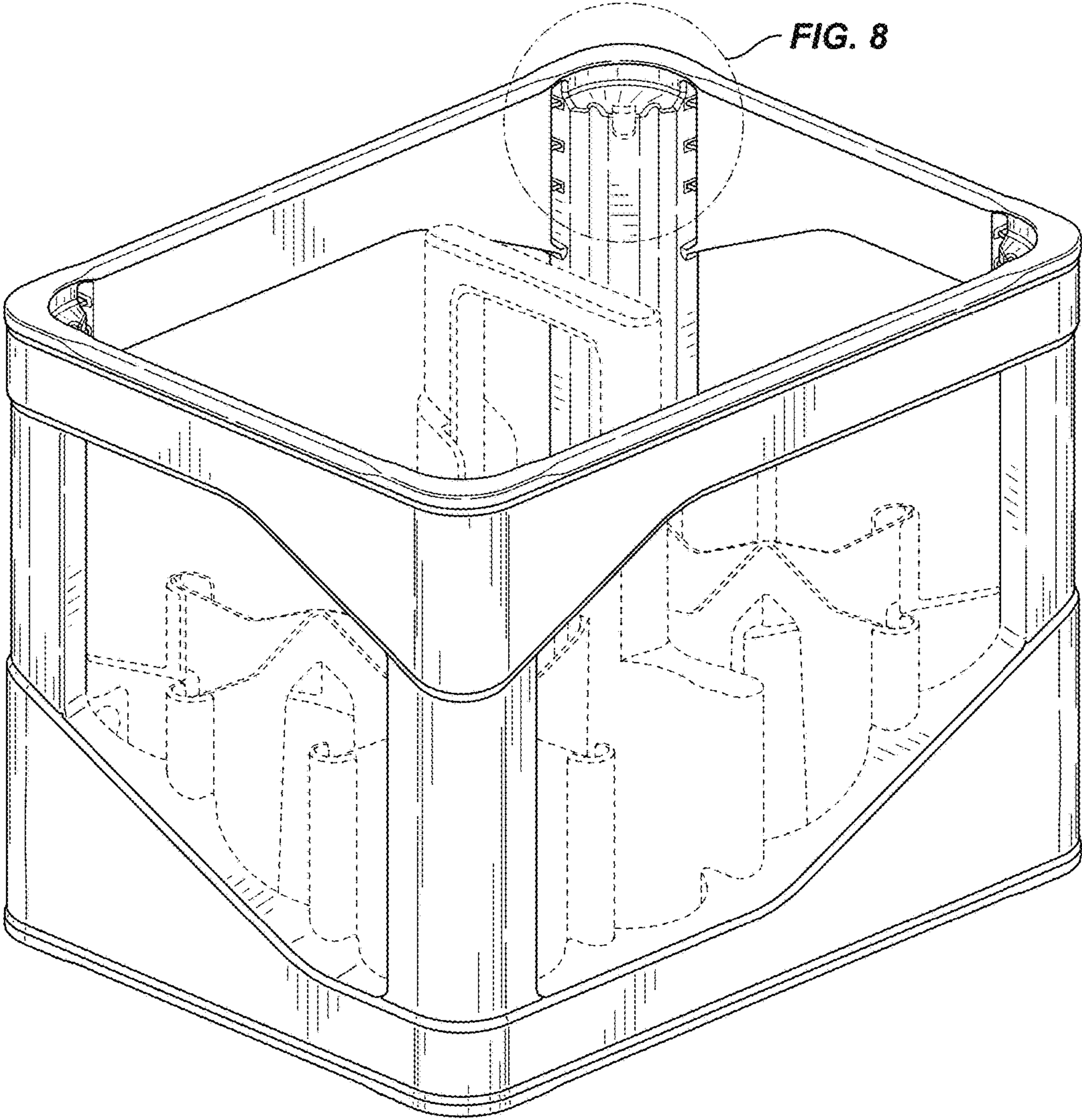


FIG. 1

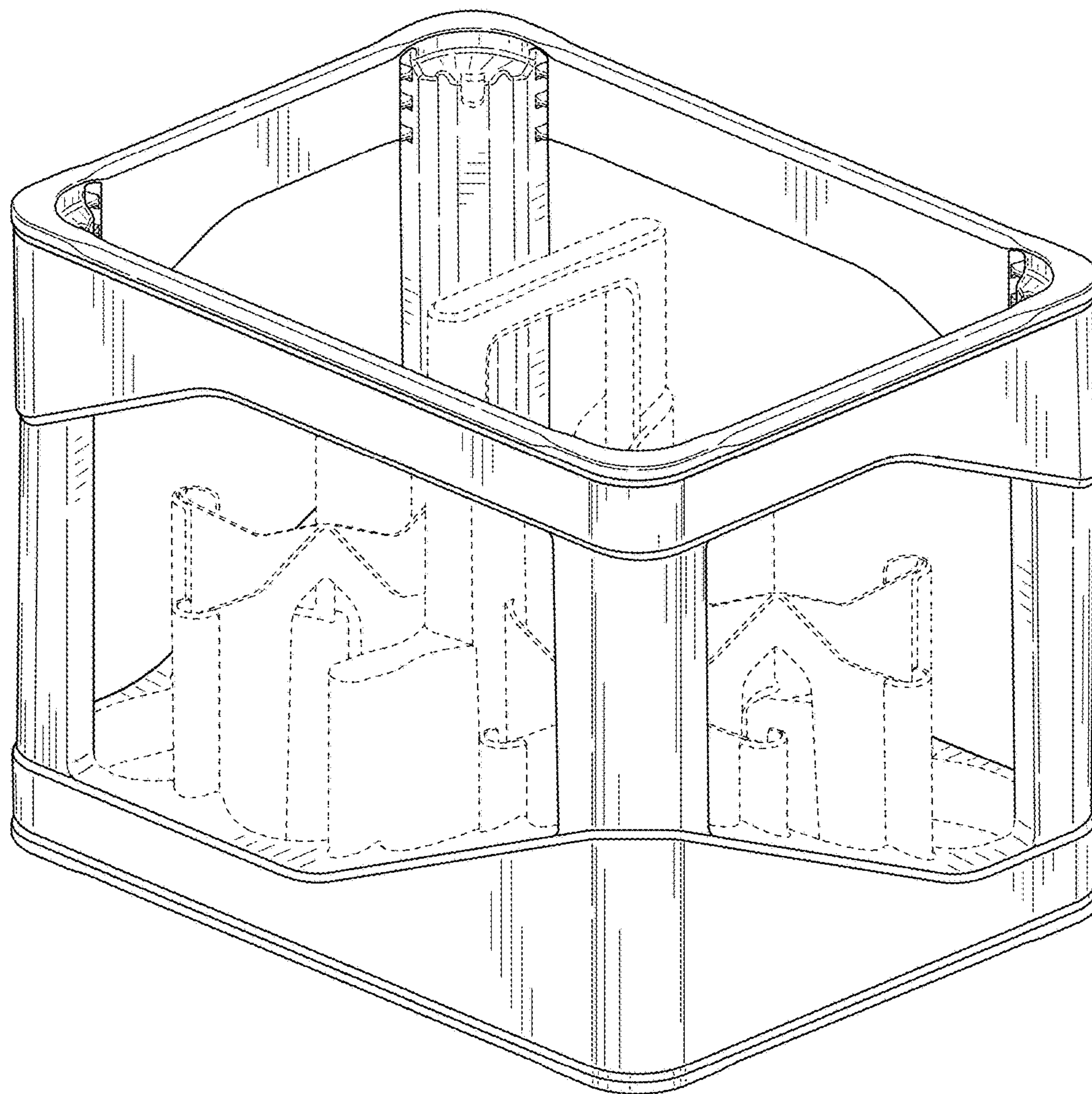


FIG. 2

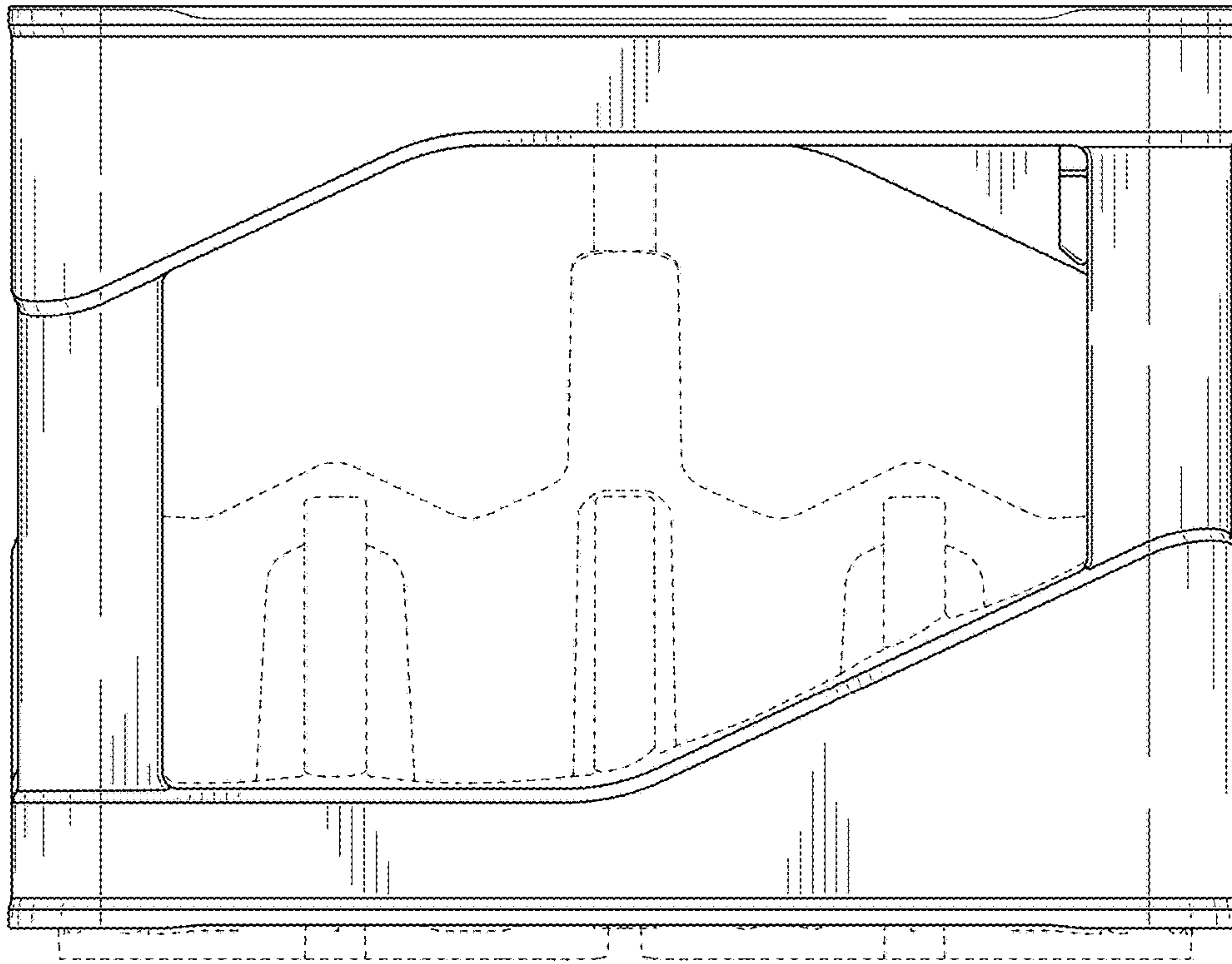


FIG. 3

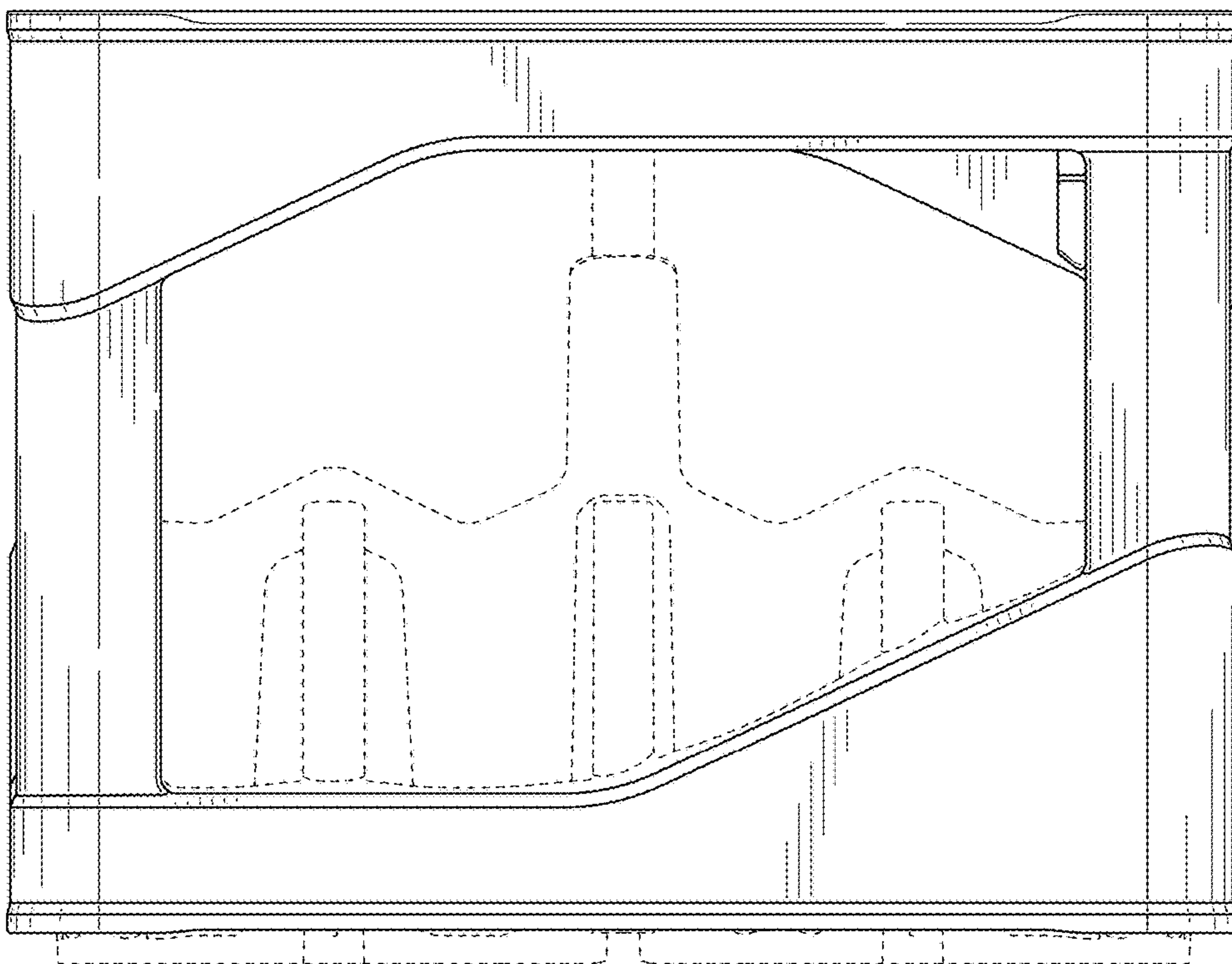


FIG. 4

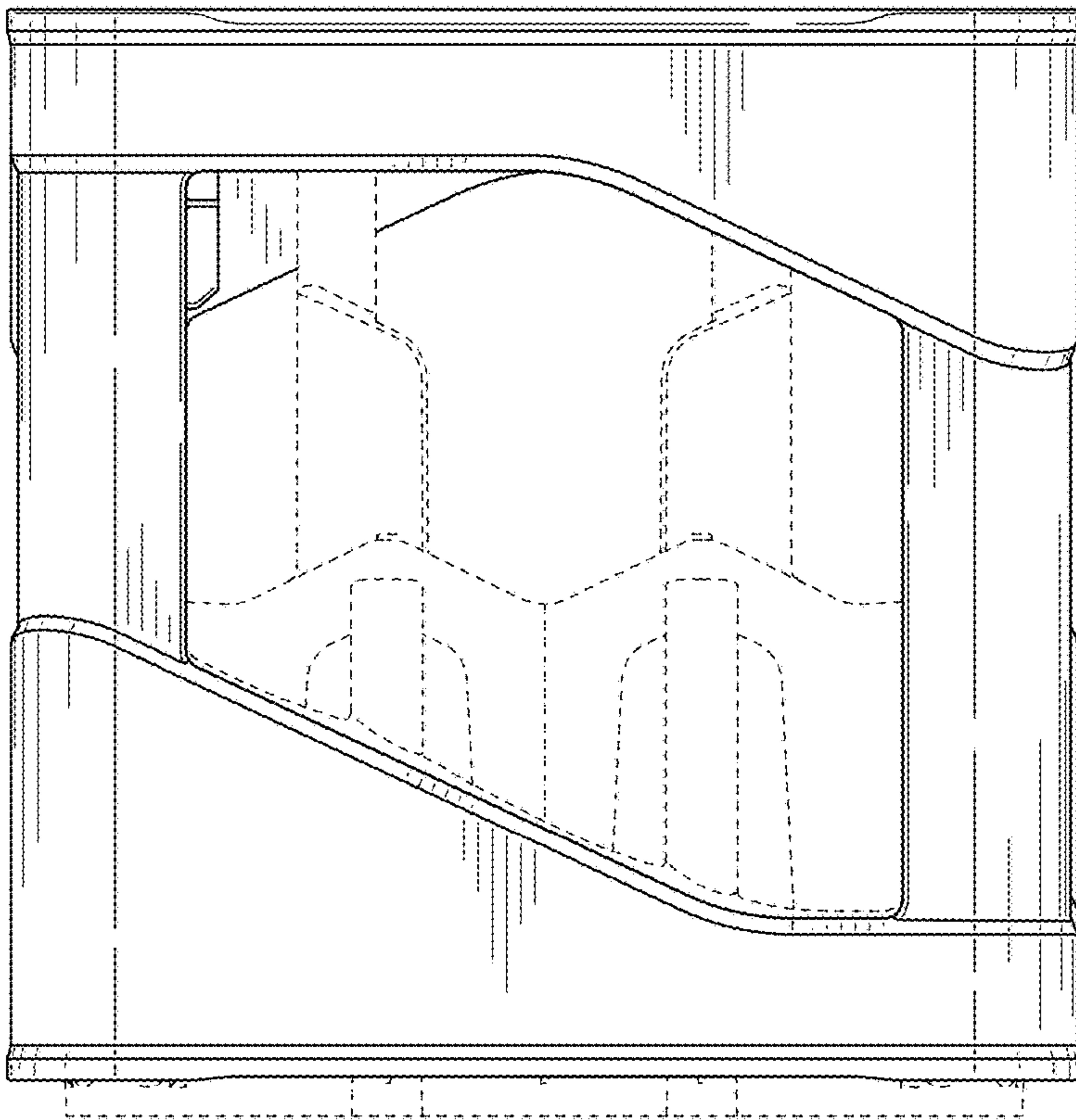


FIG. 5

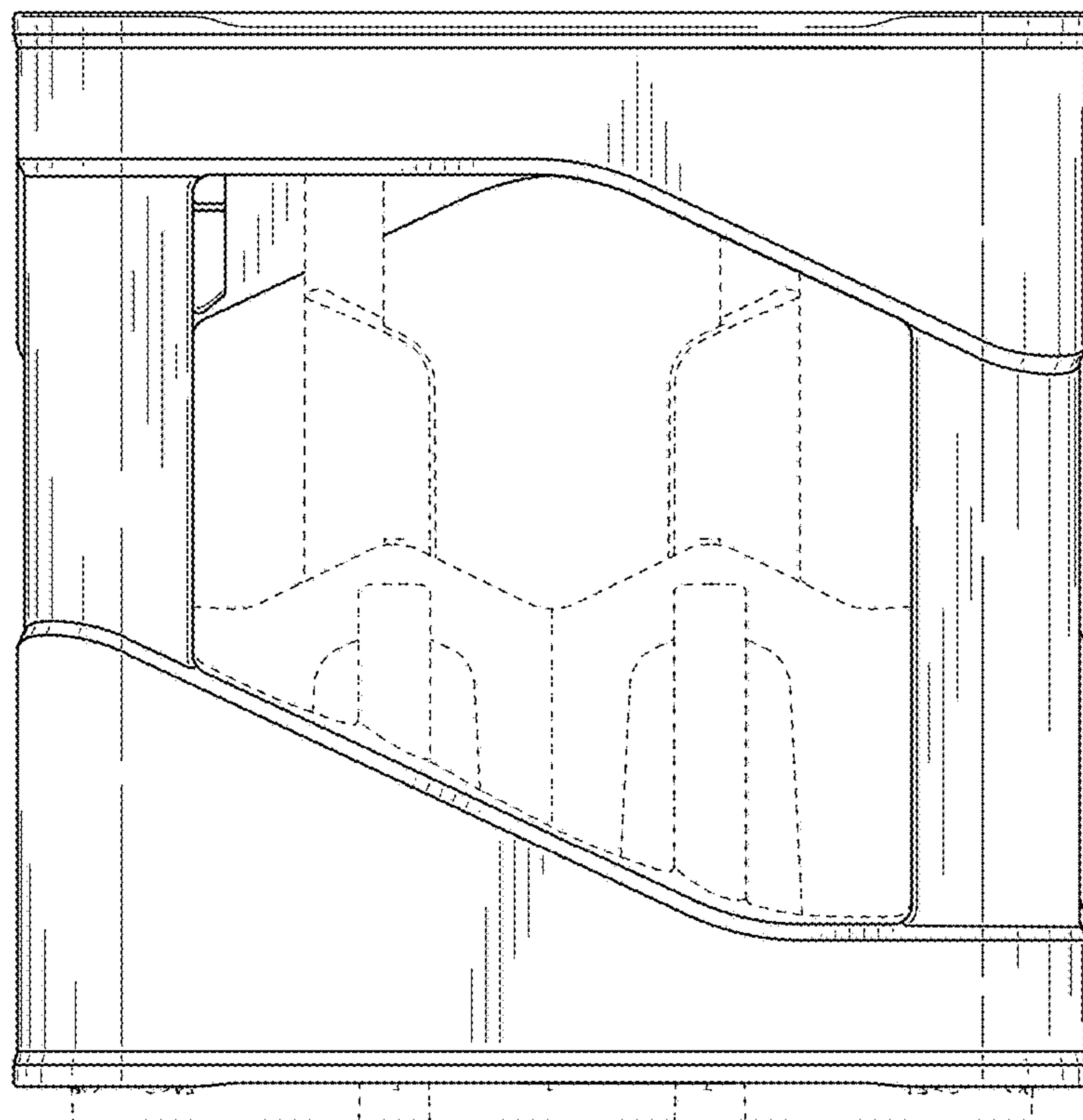


FIG. 6

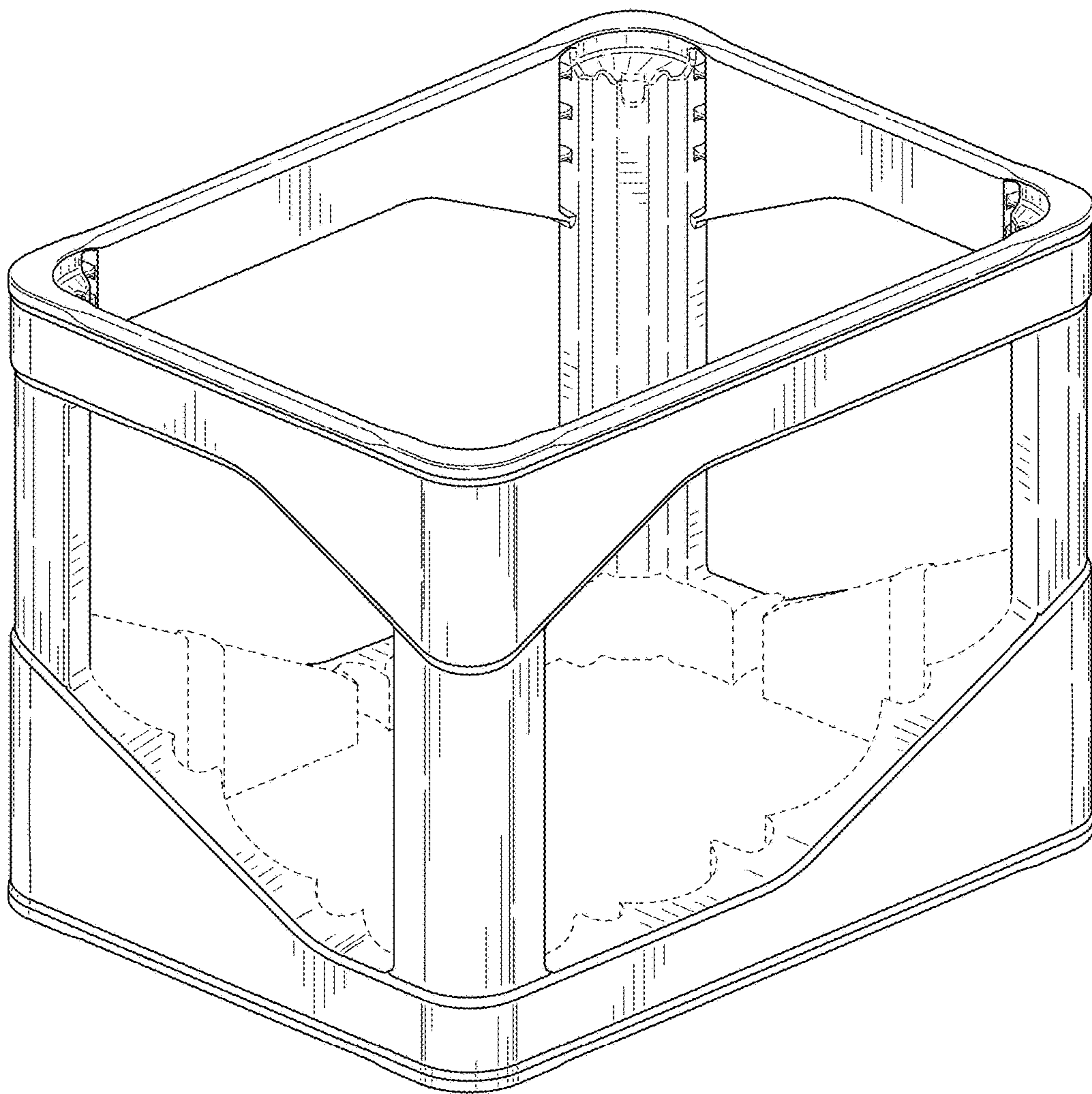


FIG. 7

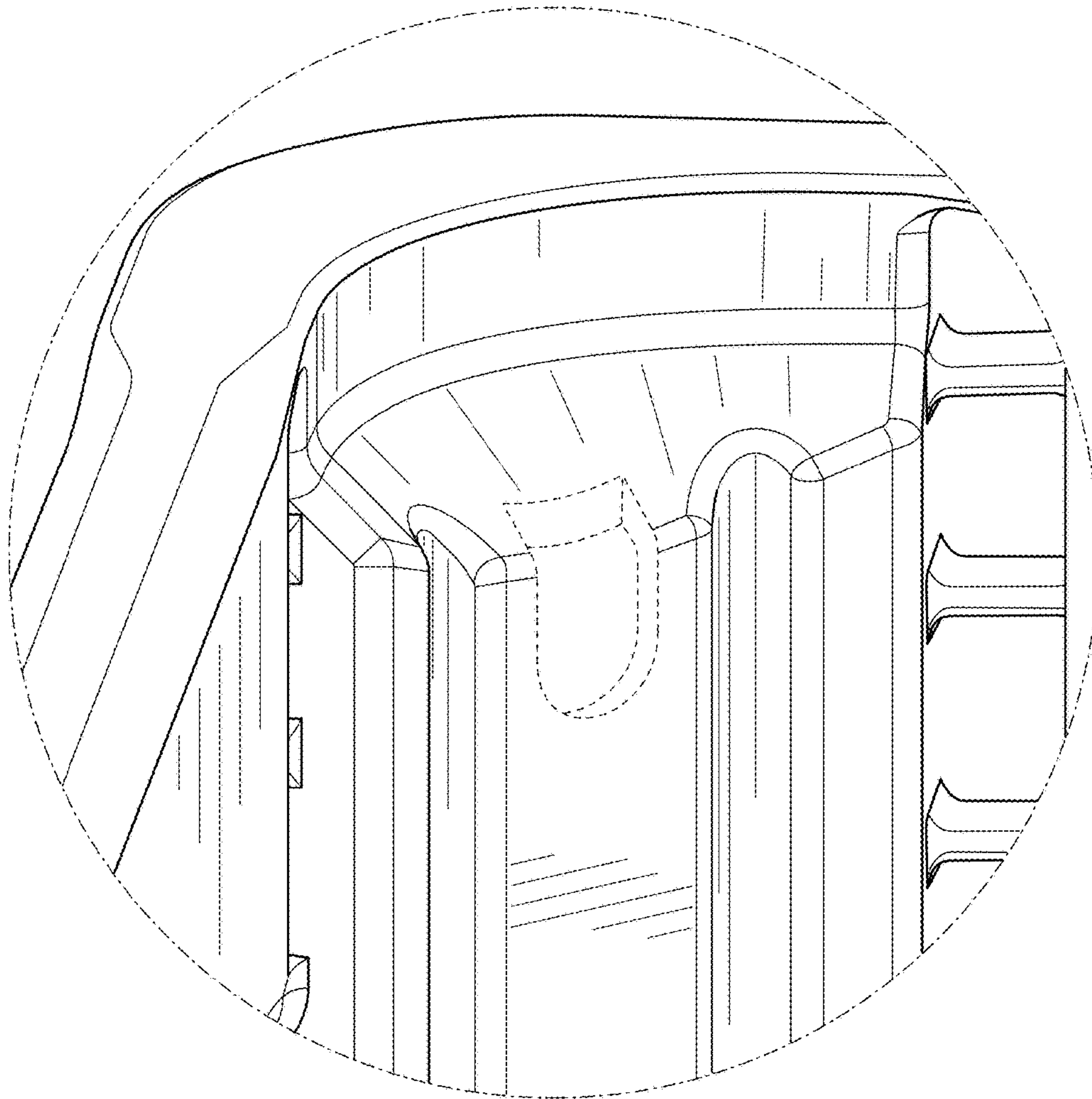


FIG. 8