



US00D773187S

(12) **United States Design Patent**  
**Valks et al.**

(10) **Patent No.:** **US D773,187 S**  
(45) **Date of Patent:** **\*\* Dec. 6, 2016**

- (54) **STORAGE BOX**
- (71) Applicant: **Cre8team Besloten Vennootschap**,  
Utrecht (NL)
- (72) Inventors: **Audrey Valks**, Amsterdam (NL); **Ellen Boekraad**, Utrecht (NL)
- (73) Assignee: **CRE8TEAM BESLOTEN VENNOOTSCHAP**, Utrecht (NL)
- (\*\*) Term: **14 Years**
- (21) Appl. No.: **29/517,341**
- (22) Filed: **Feb. 11, 2015**
- (51) **LOC (10) Cl.** ..... **03-01**
- (52) **U.S. Cl.**  
USPC ..... **D3/295**
- (58) **Field of Classification Search**  
USPC ..... D3/273, 299, 304, 305, 315; D9/433,  
D9/432, 760; 206/736, 745, 784, 525.1;  
D7/601, 602, 701, 619.1, 629, 117.01,  
D7/117.04, 117.05, 120.02, 120.06, 122,  
27; 229/125.37, 9.2, 160, 166, 181, 190;  
220/6  
CPC ..... B65D 11/1853; B65D 37/00; B65D 15/22;  
B65D 19/06; B65D 2519/00124; B65D  
2519/00641; B65D 2519/00711; B65D  
25/04; B65D 5/36; B65D 5/6697; B65D  
7/26; A45C 7/0077; B32B 2439/62; B32B  
27/10  
See application file for complete search history.

(56) **References Cited**

**U.S. PATENT DOCUMENTS**

- 1,354,928 A \* 10/1920 Watson ..... B65D 7/26  
220/6
- 1,561,138 A \* 11/1925 Charters ..... A45C 7/0077  
206/8
- 2,373,977 A \* 4/1945 Scherer ..... B65D 5/248  
229/128

- 2,470,174 A \* 5/1949 Lewis ..... B65D 5/448  
220/9.2
- 6,032,815 A \* 3/2000 Elstone ..... B65D 25/38  
206/600
- D596,025 S \* 7/2009 Mordechai ..... D9/432
- 2007/0210142 A1 \* 9/2007 Wang ..... B65D 5/68  
229/117.01

(Continued)

**OTHER PUBLICATIONS**

Foldable Linen Underbed Storage, available Jun. 2015, [online], [site visited Nov. 24, 2015]. Available from internet, <URL: <http://www.jdwilliams.co.uk/shop/foldable-linen-underbed-storage/lu220/product/details/show.action?pdBoUId=3500>>.\*

*Primary Examiner* — Cathron Brooks

*Assistant Examiner* — Teddy Falloway

(74) *Attorney, Agent, or Firm* — Inventa Capital PLC

(57) **CLAIM**

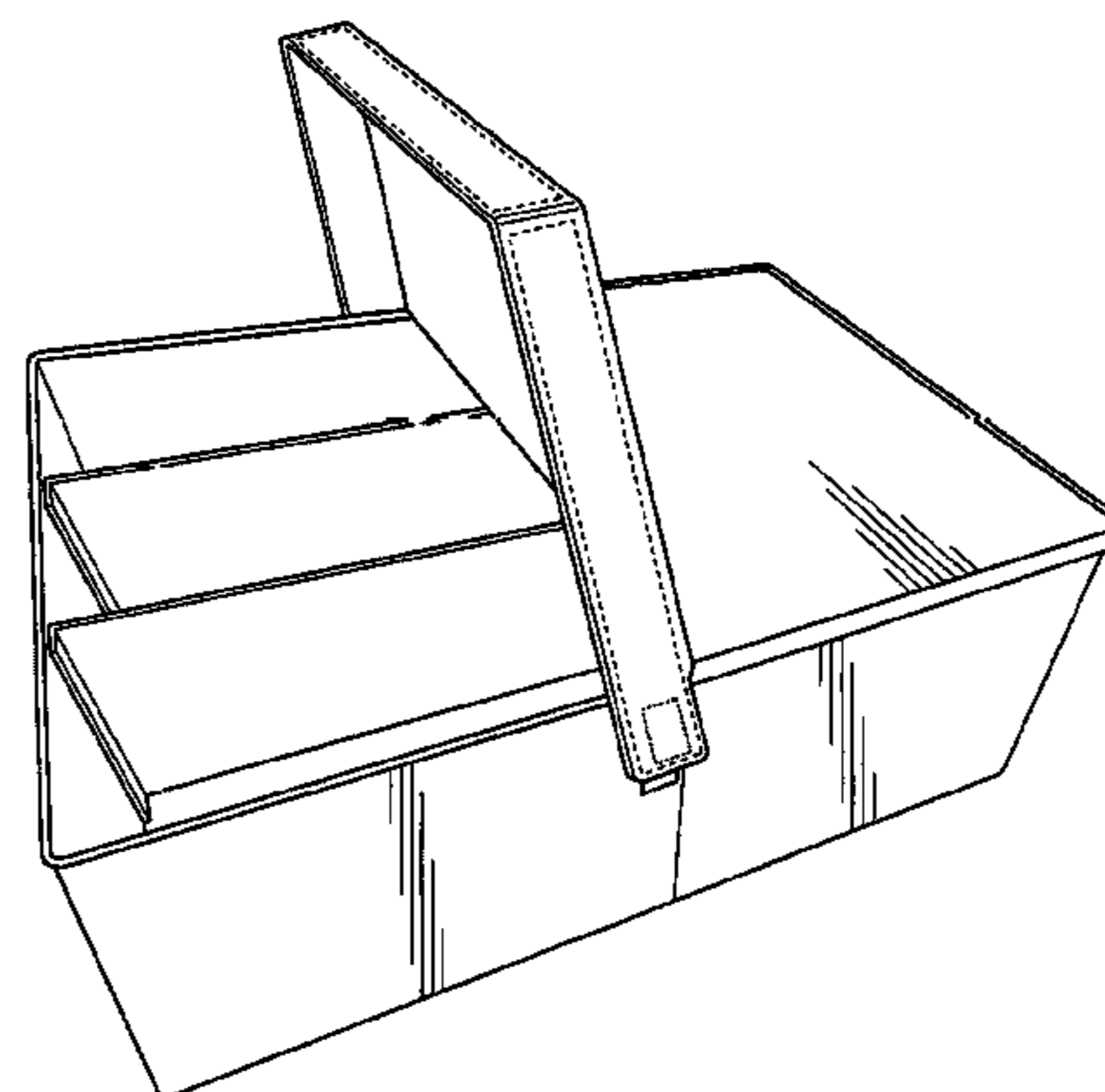
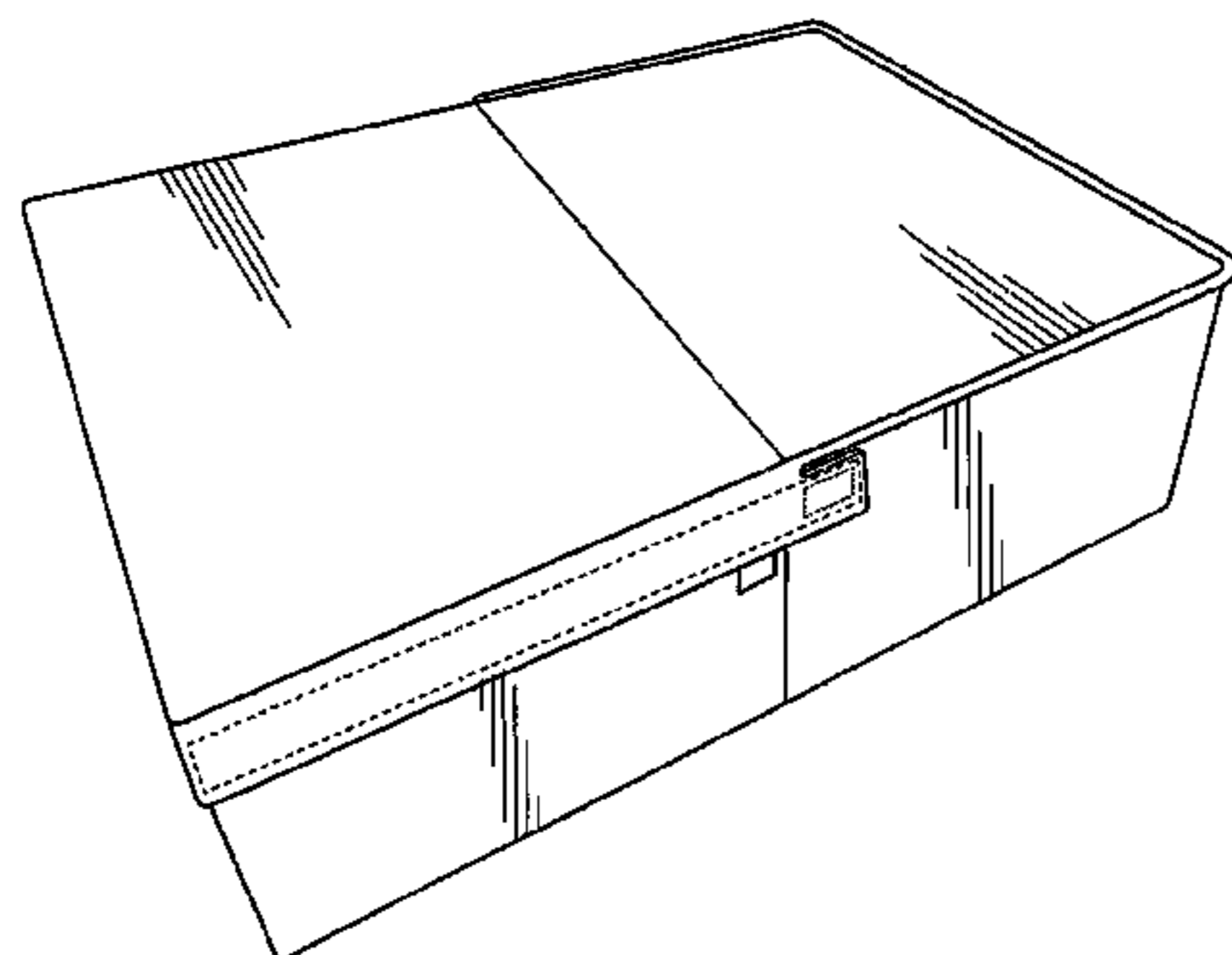
We claim the ornamental design for a storage box, as shown and described.

**DESCRIPTION**

FIG. 1 is a first perspective view of a storage box;  
 FIG. 2 is a perspective view thereof, with the lid opened at a 45 degrees angle;  
 FIG. 3 is a perspective view thereof, with the lid opened at a 90 degrees angle;  
 FIG. 4 is another perspective view thereof, with the lid opened at a 75 degrees angle;  
 FIG. 5 is a perspective view of the storage box in a disassembled state, with the lid expanded and dividers removed; and,  
 FIG. 6 is a perspective view thereof, with the lid further expanded, the floor base removed, and the dividers not shown for ease of illustration.

The broken lines shown along the side edges of the lid on the surface of the storage box represent stitching, while all other broken lines represent portions of the storage box and none of which form part of the claim.

**1 Claim, 4 Drawing Sheets**



(56)

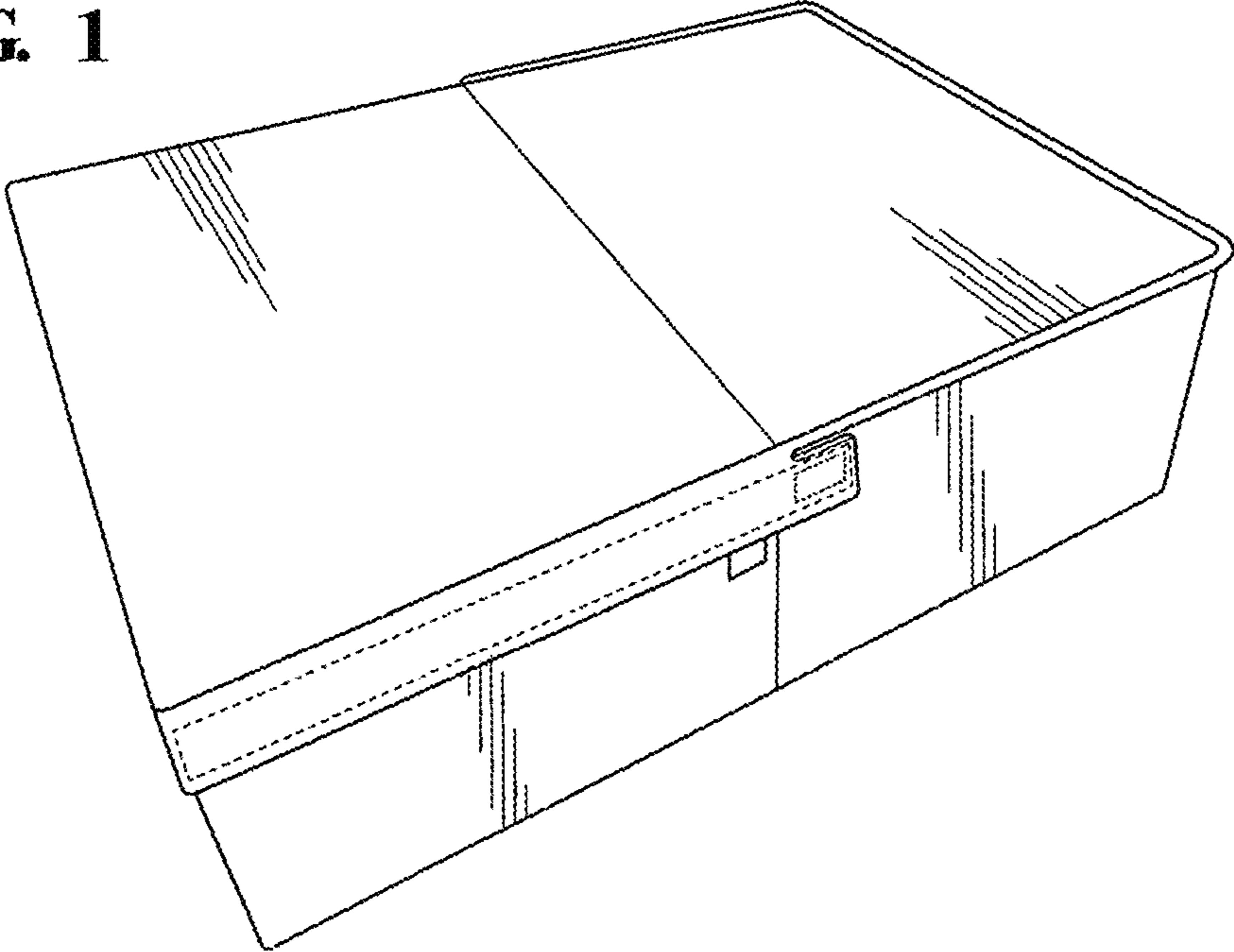
**References Cited**

U.S. PATENT DOCUMENTS

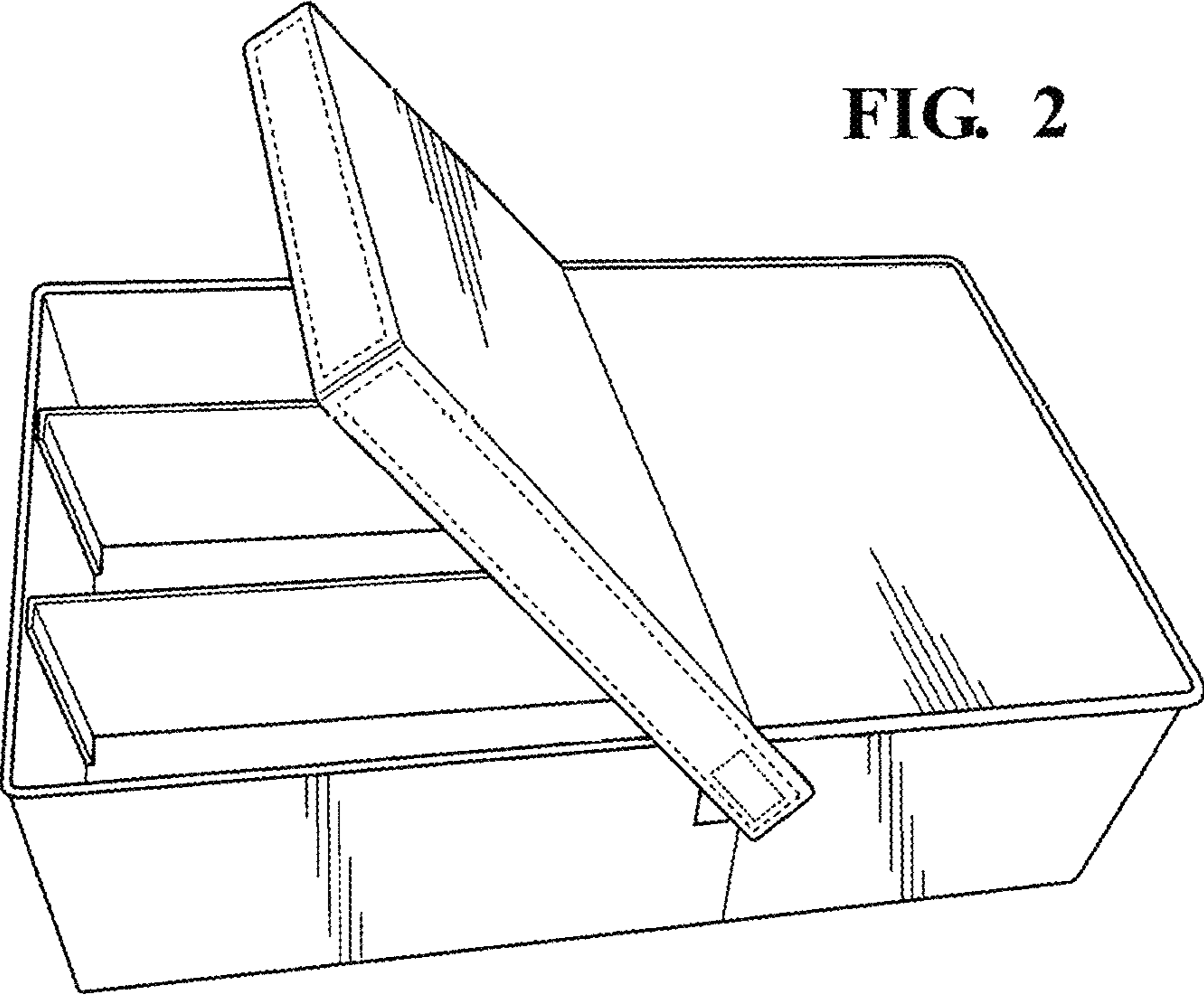
2008/0135548 A1\* 6/2008 Fu ..... B65D 37/00  
220/6  
2008/0173703 A1\* 7/2008 Westerman ..... B65D 5/6697  
229/117.01  
2010/0059531 A1\* 3/2010 Smith ..... B65D 5/36  
220/666  
2010/0187227 A1\* 7/2010 Wang ..... B65D 11/1853  
220/6  
2010/0326985 A1\* 12/2010 Lin ..... B65D 37/00  
220/6  
2012/0111861 A1\* 5/2012 Nemoto ..... B65D 11/1853  
220/6  
2012/0187118 A1\* 7/2012 Glenn ..... B65D 11/1853  
220/6  
2013/0043241 A1\* 2/2013 Hunter ..... B65D 25/005  
220/6  
2014/0306000 A1\* 10/2014 Molina-Muntanola . B32B 27/10  
229/115

\* cited by examiner

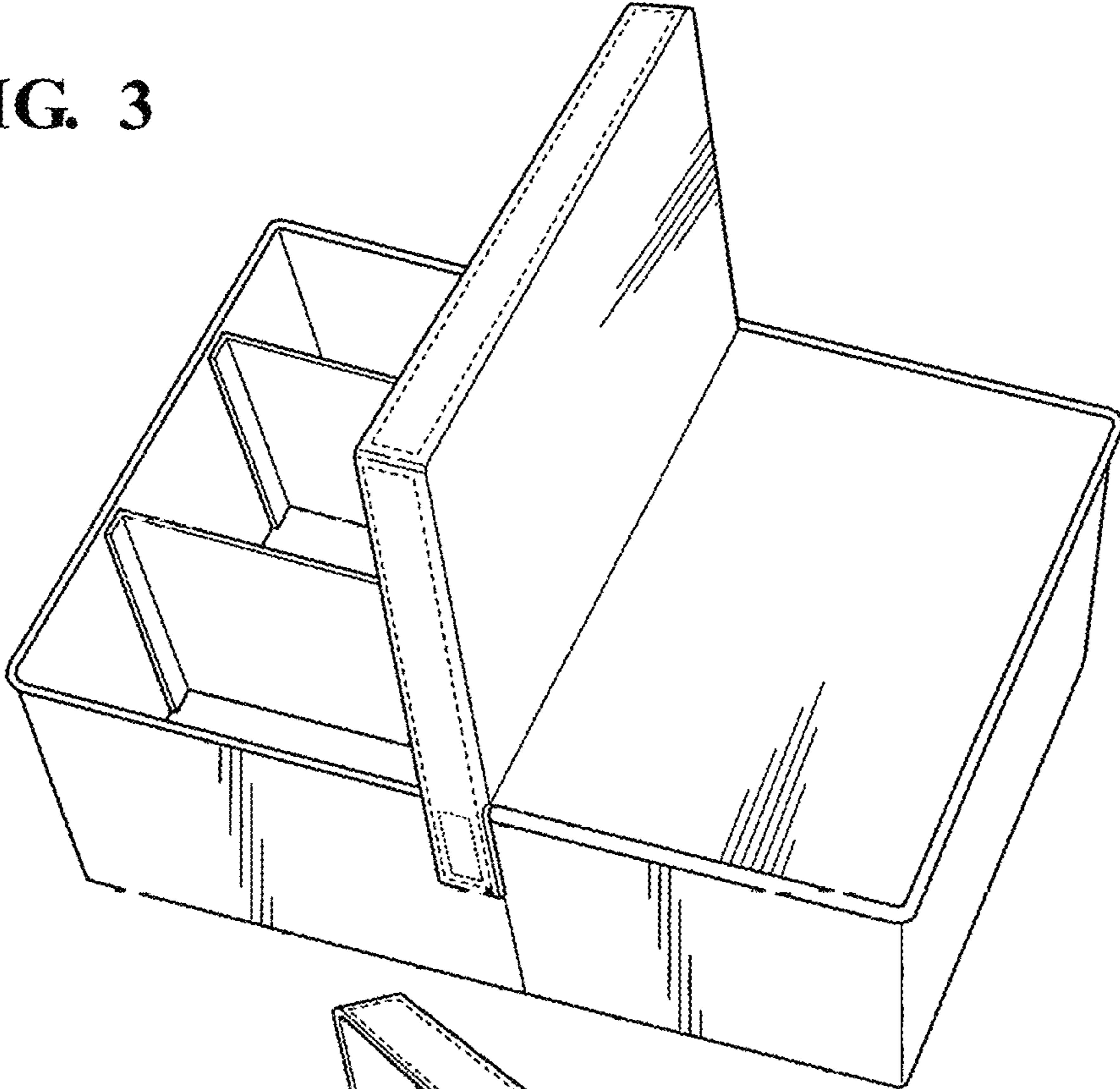
**FIG. 1**



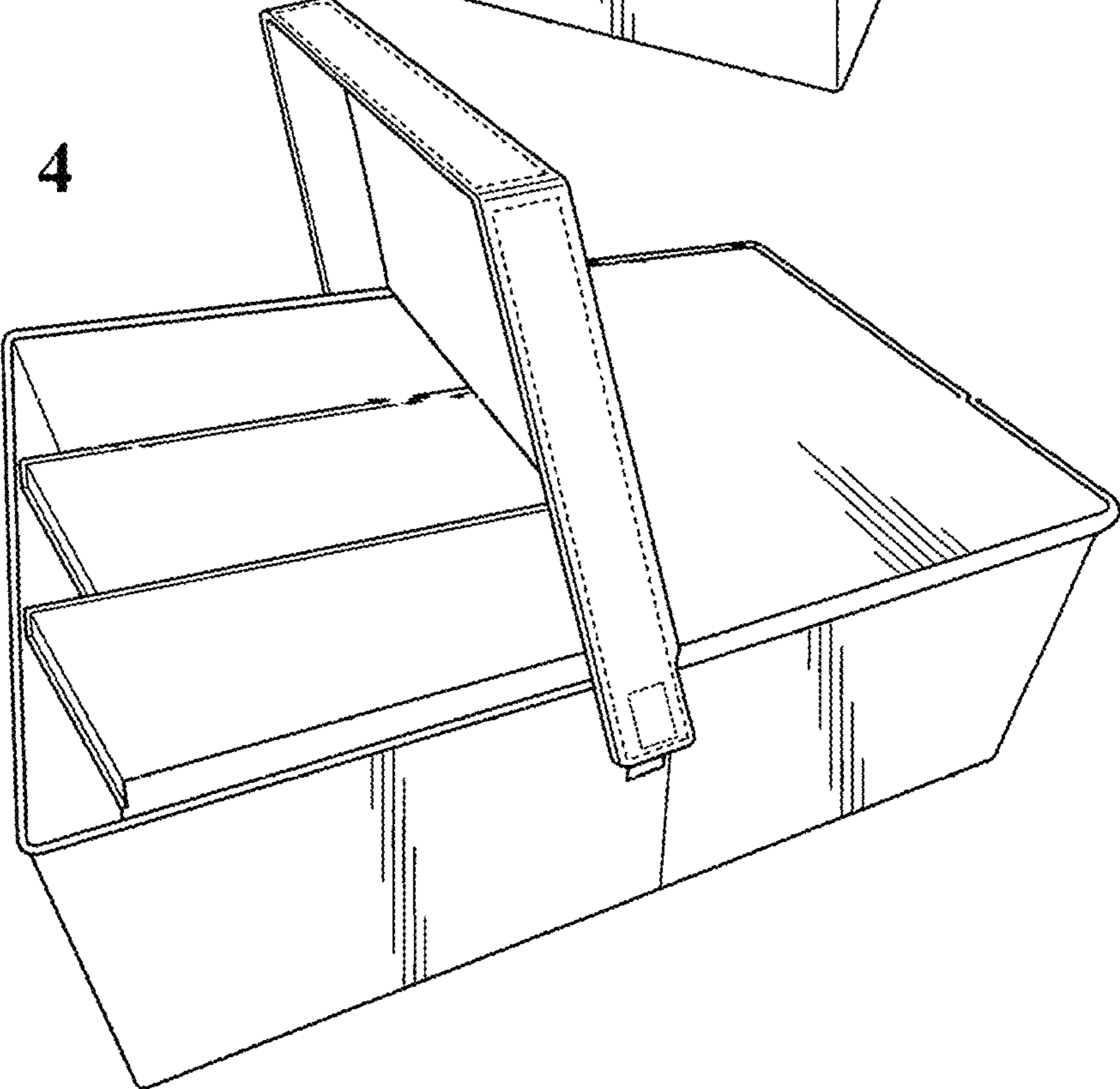
**FIG. 2**



**FIG. 3**



**FIG. 4**



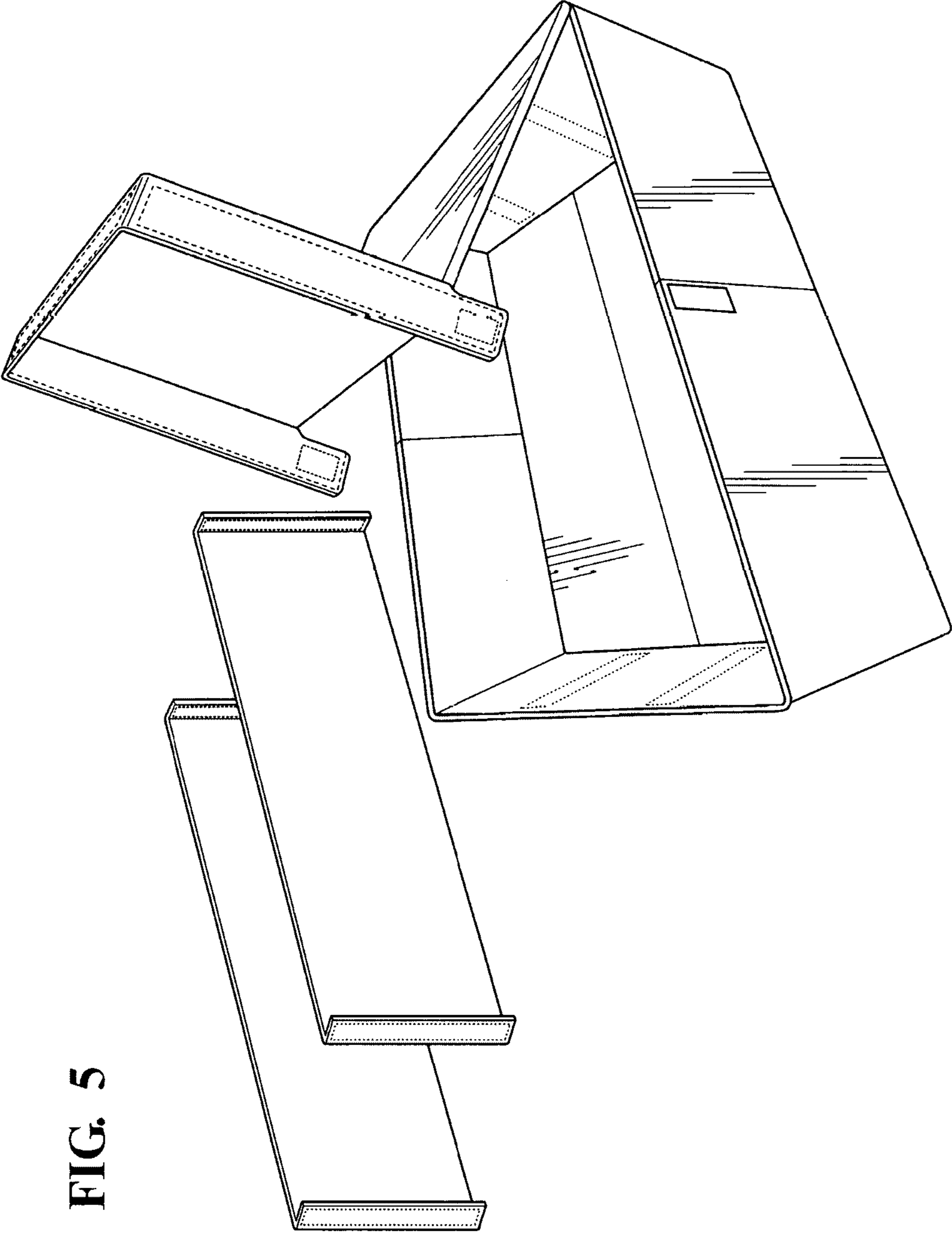


FIG. 5

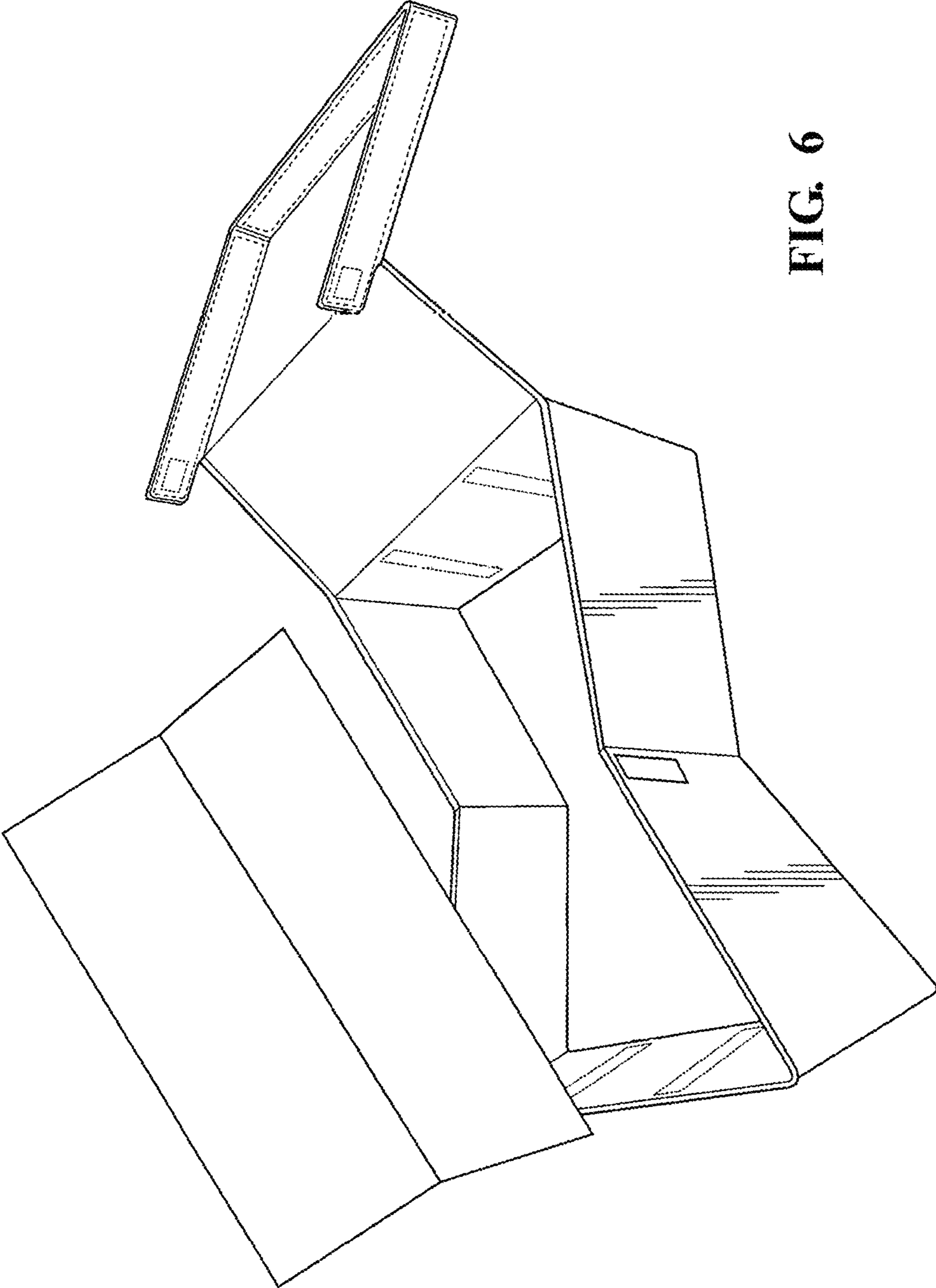


FIG. 6