



US00D773186S

(12) **United States Design Patent** (10) **Patent No.:** **US D773,186 S**
Beilman et al. (45) **Date of Patent:** **** Dec. 6, 2016**

(54) **COSMETIC CASE**

3,921,649 A 11/1975 Milbrath

(Continued)

(71) Applicants: **Debra L. Beilman**, Aventura, FL (US);
Florencia Crosa, North Miami, FL
(US)

FOREIGN PATENT DOCUMENTS

GB 2363712 A 1/2002

(72) Inventors: **Debra L. Beilman**, Aventura, FL (US);
Florencia Crosa, North Miami, FL
(US)

OTHER PUBLICATIONS

(**) Term: **15 Years**

Freebie\$ for a Cause Blog, "Ulta Beauty: Free \$5 eGift Card with \$30 Gift Card Purchase, Half Price Burt's Bees, \$200 Beauty Kit Only \$24.99, More", Posted on Dec. 2, 2015, Accessed Apr. 6, 2016. (<http://freebiesforacause.com/ulta-beauty-free-5-egift-card-with-30-gift-card-purchase-half-price-burts-bees-200-beauty-kit-only-24-99-more/>).*

(Continued)

(21) Appl. No.: **29/530,071**

(22) Filed: **Jun. 12, 2015**

(51) **LOC (10) Cl.** **03-01**

(52) **U.S. Cl.**

USPC **D3/284**; D3/288; D3/296; D3/901

(58) **Field of Classification Search**

USPC D3/273, 274, 275, 276, 281, 282,
284, D3/292, 294, 295, 296, 302, 905,
901, 903, 205

CPC A45C 5/04; A45C 11/00; A45C 11/16;
A45C 15/04

See application file for complete search history.

Primary Examiner — Jennifer Rivard

Assistant Examiner — April Rivas

(74) *Attorney, Agent, or Firm* — Malloy & Malloy, P.L.

(57)

CLAIM

The ornamental design for a cosmetic case, as shown and described.

DESCRIPTION

(56) **References Cited**

U.S. PATENT DOCUMENTS

1,414,899 A	5/1922	Sabatelli
1,592,457 A	7/1926	Greenberg
2,003,824 A	6/1935	Cavalero
2,084,292 A	6/1937	Steiner
D108,590 S	2/1938	Zell
2,117,140 A	5/1938	Bowen
D111,177 S	9/1938	Gamble
2,278,866 A	4/1942	Dell'Elba
D139,428 S	11/1944	Morris
2,570,314 A	10/1951	Brand
2,649,799 A	8/1953	Spertus
2,916,841 A	12/1959	Denis
D230,773 S	3/1974	Arnold

FIG. 1 is a front perspective view illustrating my design for a cosmetic case;

FIG. 2 is a front elevation view thereof;

FIG. 3 is a left side view thereof;

FIG. 4 is a top view thereof;

FIG. 5 is a right side view thereof;

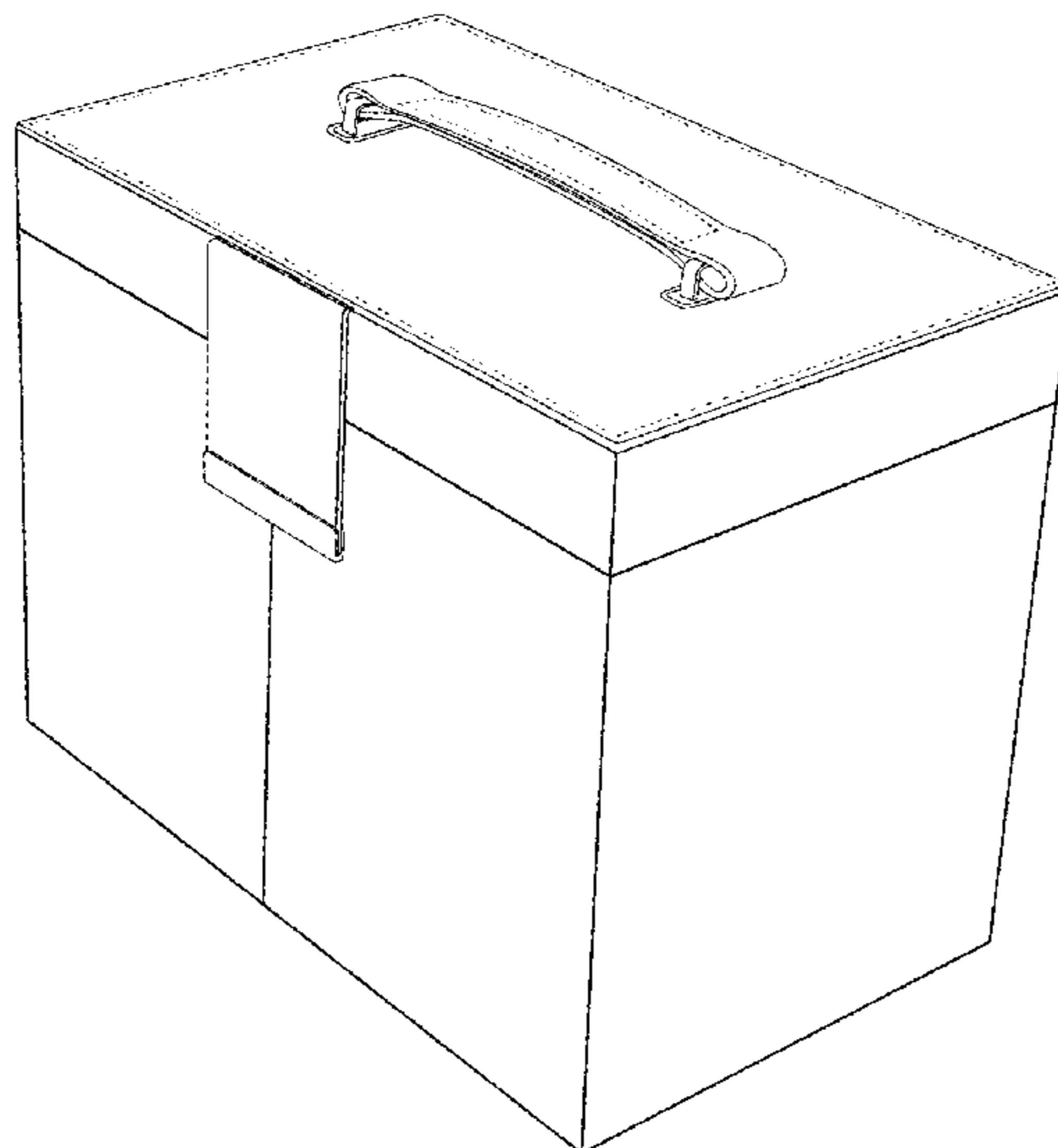
FIG. 6 is a bottom view thereof;

FIG. 7 is a rear elevation view thereof; and,

FIG. 8 is a front perspective view in an open orientation thereof.

The broken line showing of unclaimed stitching is for the purpose of illustrating portions of the cosmetic case and forms no part of the claimed design.

1 Claim, 8 Drawing Sheets



(56)

References Cited

OTHER PUBLICATIONS

U.S. PATENT DOCUMENTS

4,526,273 A 7/1985 Tsuji et al.
 4,574,944 A 3/1986 Gregory
 D293,724 S 1/1988 Kingsford et al.
 D308,756 S 6/1990 Turner
 D321,284 S 11/1991 Marsella et al.
 D342,156 S 12/1993 Turner
 D344,412 S 2/1994 Barnhart
 5,363,969 A 11/1994 Shen
 D361,430 S 8/1995 Mohundro
 5,813,420 A 9/1998 Sussman
 D411,648 S 6/1999 Markham
 D413,627 S 9/1999 Gray
 D415,614 S 10/1999 Akaike et al.
 D417,783 S 12/1999 Wolf
 6,045,202 A * 4/2000 Simon A45C 11/16
 312/107
 D444,596 S 7/2001 Lai
 6,349,494 B1 2/2002 Haggarty-Robbins
 D454,687 S * 3/2002 Wolf D3/275
 D455,550 S 4/2002 Wolf
 D455,902 S 4/2002 Wolf
 D457,687 S 5/2002 Millar
 D467,428 S 12/2002 Wolf
 D471,010 S 3/2003 Wolf
 D475,197 S 6/2003 Stoddard
 D475,811 S 6/2003 Bontempo
 D480,211 S 10/2003 Wolf
 D485,018 S 1/2004 Beilman
 D485,066 S * 1/2004 Wolf D3/291
 D485,067 S 1/2004 Wolf
 D485,682 S 1/2004 Wolf
 D493,919 S 8/2004 Beilman
 D496,791 S * 10/2004 Perella D3/263
 D510,189 S 10/2005 Greiner
 D517,737 S 3/2006 Lai
 D522,746 S 6/2006 Perella et al.
 D524,989 S 7/2006 Lombardi
 D527,521 S 9/2006 Sijmons
 D542,475 S 5/2007 Martinez
 D577,196 S 9/2008 Hayden
 D588,810 S * 3/2009 Rowlett D3/291
 D631,201 S 1/2011 Lai
 D657,915 S 4/2012 Lai
 D671,742 S * 12/2012 Cenzano D3/272
 D688,006 S 8/2013 Lai
 D688,831 S 8/2013 Giardina
 D692,183 S 10/2013 Lai
 D723,794 S 3/2015 Lai
 D728,860 S 5/2015 Blanch
 D734,549 S 7/2015 Waller
 D735,993 S 8/2015 Koepke et al.
 D736,519 S * 8/2015 Chui D3/272
 D745,276 S * 12/2015 Wang D3/273
 2004/0003825 A1 1/2004 Kelly
 2004/0188275 A1 9/2004 Wolf
 2007/0235056 A1 10/2007 Vintimiglia et al.
 2009/0139878 A1 6/2009 Wejrowski
 2014/0299151 A1 10/2014 Stroud
 2015/0114852 A1 * 4/2015 Torline A47F 7/03
 206/6.1

The Cosmetic Center Advertising Circular, 1991, Second Page Item Q on Lower Left.
 Hong Kong Enterprise June 1993, p. 202: Item No. G902OB.
 Hong Kong Enterprise Oct. 1994, p. 760: Item No. M17D.
 Cameo Cosmetics. "M229 Train Case". Accessed Nov. 2, 2015. (<http://www.cameocosmetics.com/m229-train-case/>).
 Google Image Search. "Ulta Sparkle Shine Kit", Accessed Nov. 2, 2015. (https://www.google.com/search?q=ulta+sparkle+shine+kit&es_sm=122&source=Inms&tbm=isch&sa=X&ved=0CAgQ_AUoAmoVChMlu4T-5Y_yyAIVgWomCh0mWgkD&biw=1920&bih=1067#imgrc=uWr-Z3gEyjn0MM%3A).
 Amazon.com, "Ivation All-In-One Makeup Kit in Highly Fashionable Red Leather-look Train Case". Reviewed Sep. 21, 2014. Accessed Oct. 30, 2015. (http://www.amazon.com/Ivation-All-In-One-Makeup-Fashionable-Leather-look/dp/B00N9A78HG/ref=cm_cr_pr_product_top?ie=UTF8).
 Amazon.com, "SHANY All in One Makeup Kit". Reviewed Nov. 12, 2012. Accessed Sep. 30, 2015. (http://www.amazon.com/SHANY-Eyeshadow-Blushes-Lipstick-Exclusive/dp/B008PW0PY6/ref=cm_cr_pr_product_top?ie=UTF8).
 Giordano Colors, "Catalog" p. 2, item indicated with arrow. Accessed Oct. 30, 2015. (<http://www.giordanocolors.com/#!/products/c24vq>).
 Youtube.com user "Supermodel Secrets", "Listen Listen Listen! Shany USA Home and Professional Make Up Sets Review" Video published Jan. 2, 2013. Accessed Oct. 30, 2015. (<https://www.youtube.com/watch?v=9NbzrCG2D2U>).
 Avon Lady of NJ Blog. "Are you set to give?!", posted Nov. 23, 2013. Accessed Nov. 2, 2015. "p. 2 "Gilded Treasures Makeup Set (<http://avonladynj.com/2013/11/23/are-you-set-to-give/>).
 Youtube, "Giveaway Prize Details! Ulta Be Discovered 67 Piece Collection", (3:50-8:32 relevant), Posted Nov. 20, 2015, Accessed Apr. 6, 2016, (<https://www.youtube.com/watch?v=Azu7Qdta8Po>).
 Aliexpress, ". . . Yellow Jewelry holder Elliptic Large space jewelry box", Accessed Apr. 13, 2016, (<http://www.aliexpress.com/...pendants-yellowjewelry-holder-Elliptic-Large-space-jewelry/1388033940.html?spm=2114.40010308.4.105.DL9GbR>).
 Amazon.com, "SHANY Carry All Trunk Professional Make up Kit" Accessed Apr. 6, 2016, Reviewed as early as Dec. 2, 2010. (http://www.amazon.com/gp/product/B002XXAUE8/ref=s9_dcacsd_dhzbw_c_x_1).
 Freebies for a Cause Blog, "Ulta: \$175 Worth of Ulta COsmetics Just \$22.44 SHIPPED! . . .", Accessed Apr. 6, 2016. Posed Oct. 4, 2015. (<http://freebiesforacause.com/ulta-175-worth-of-ulta-cosmetics-just-22-44-sguooed-plust-possible-2x-ultamate-rewards-points/>).
 DIY Trade, "Handle Makeup Case", Image 6 Indicated with an arrow and square, Accessed Apr. 13, 2016. (http://www.diytrade.com/china/pd/12787183/hadle_make_up_case.html).
 Alibaba, "Cute Pink PU leather jewelry boxes with handle", Accessed Apr. 13, 2016. (www.alibaba.com/product-detail/Pink-Cute-PU-leather-jewellery-boxes_472697380.html).

* cited by examiner

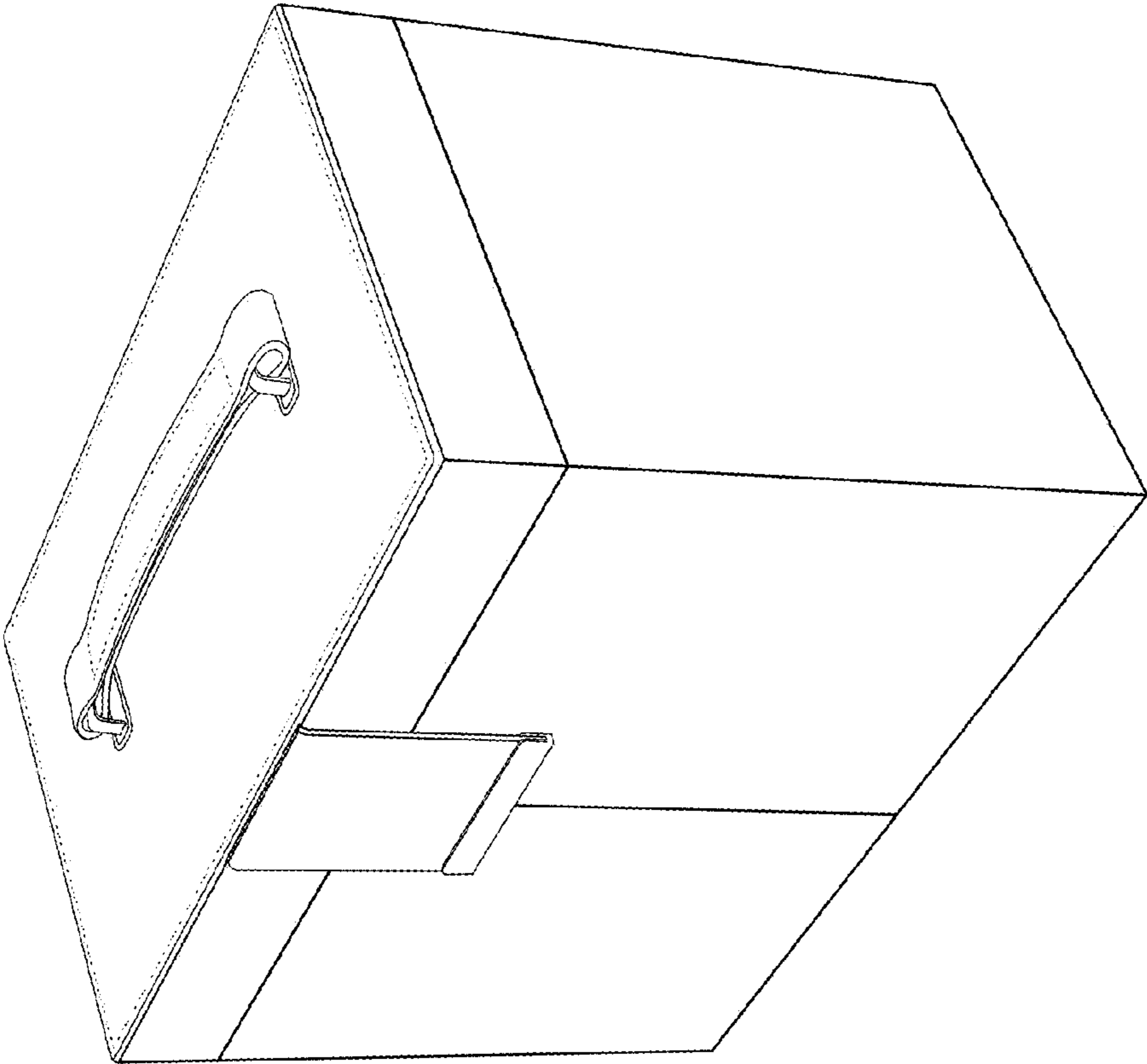


FIG. 1

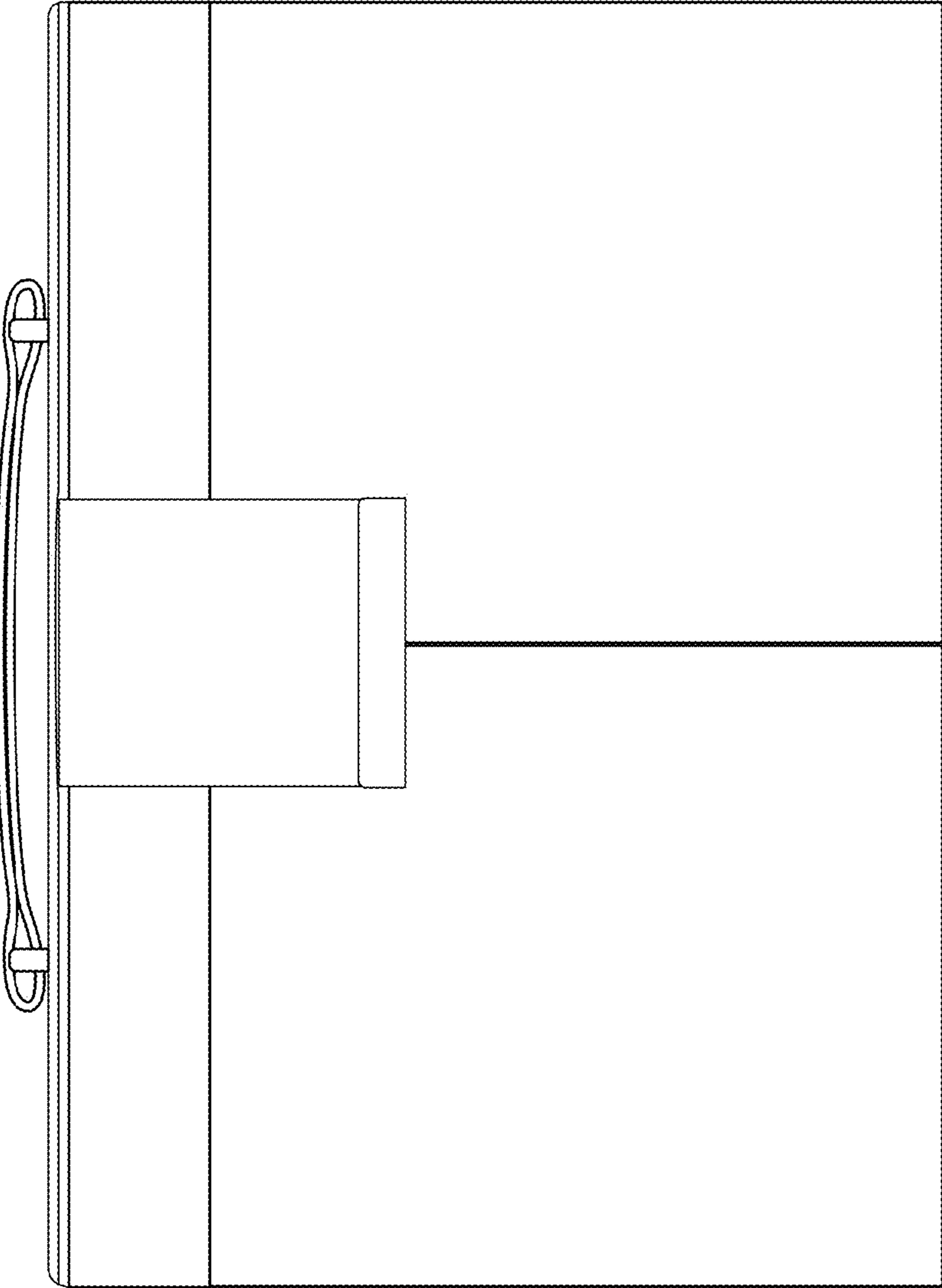


FIG. 2

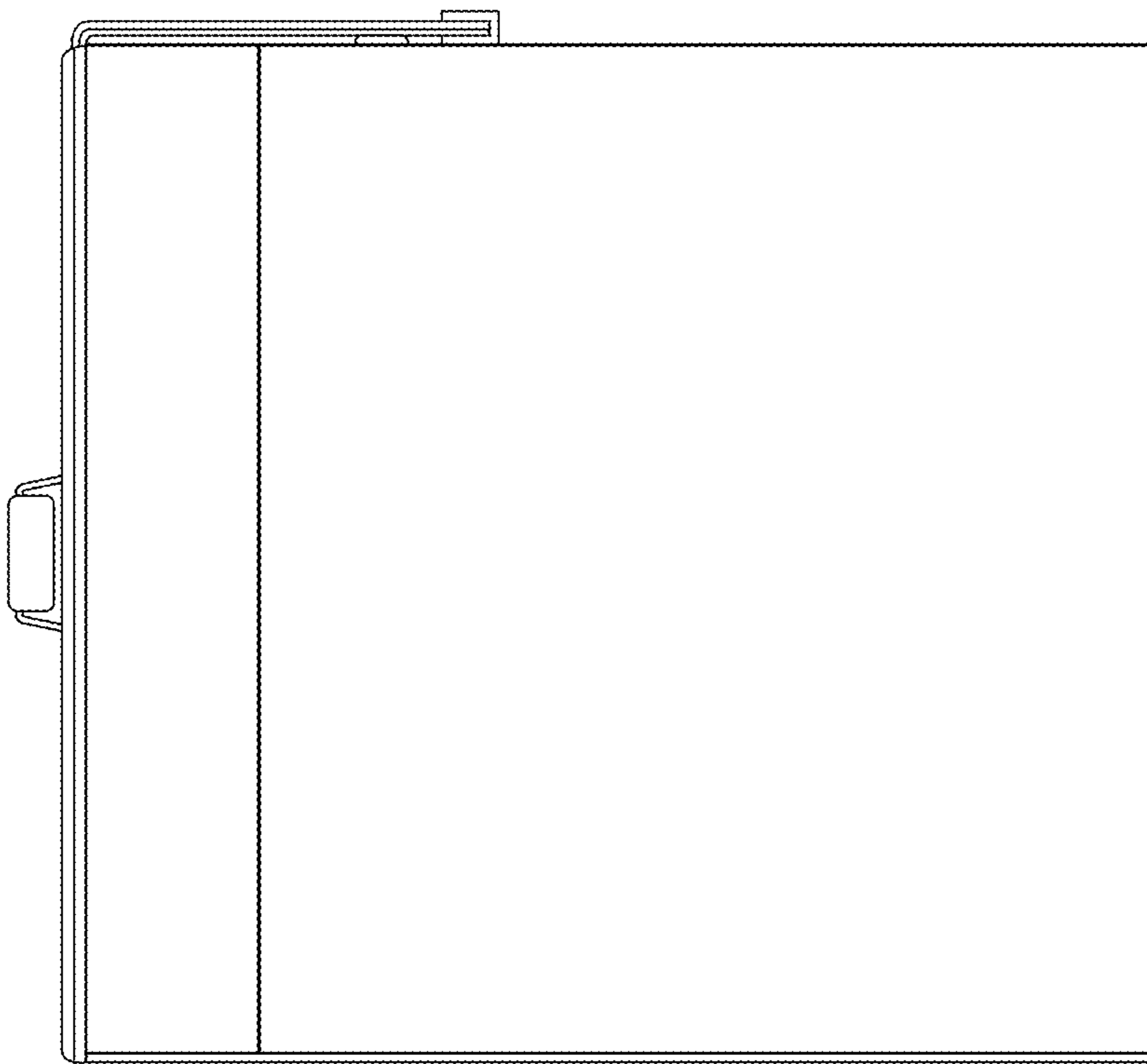


FIG. 3

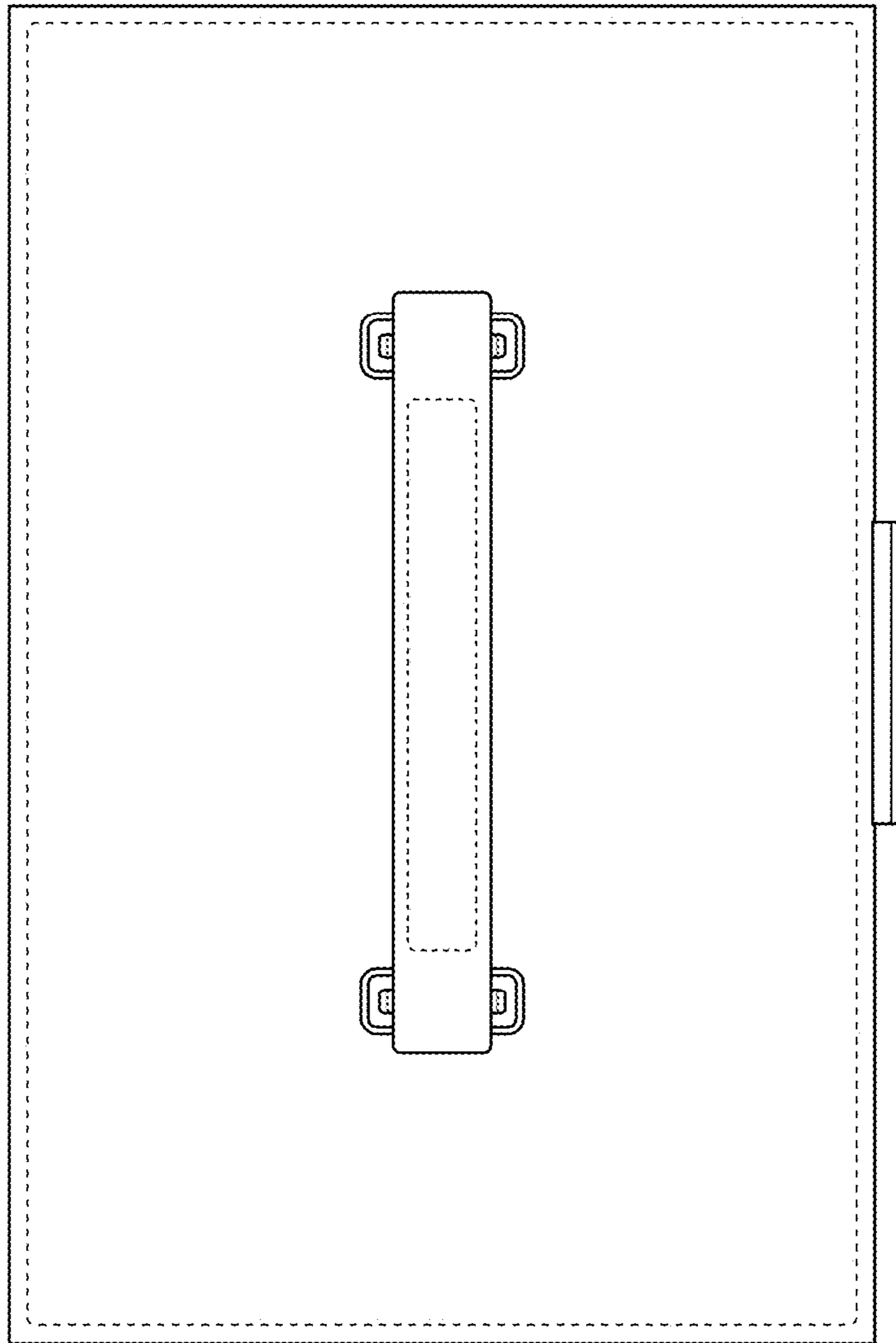


FIG. 4

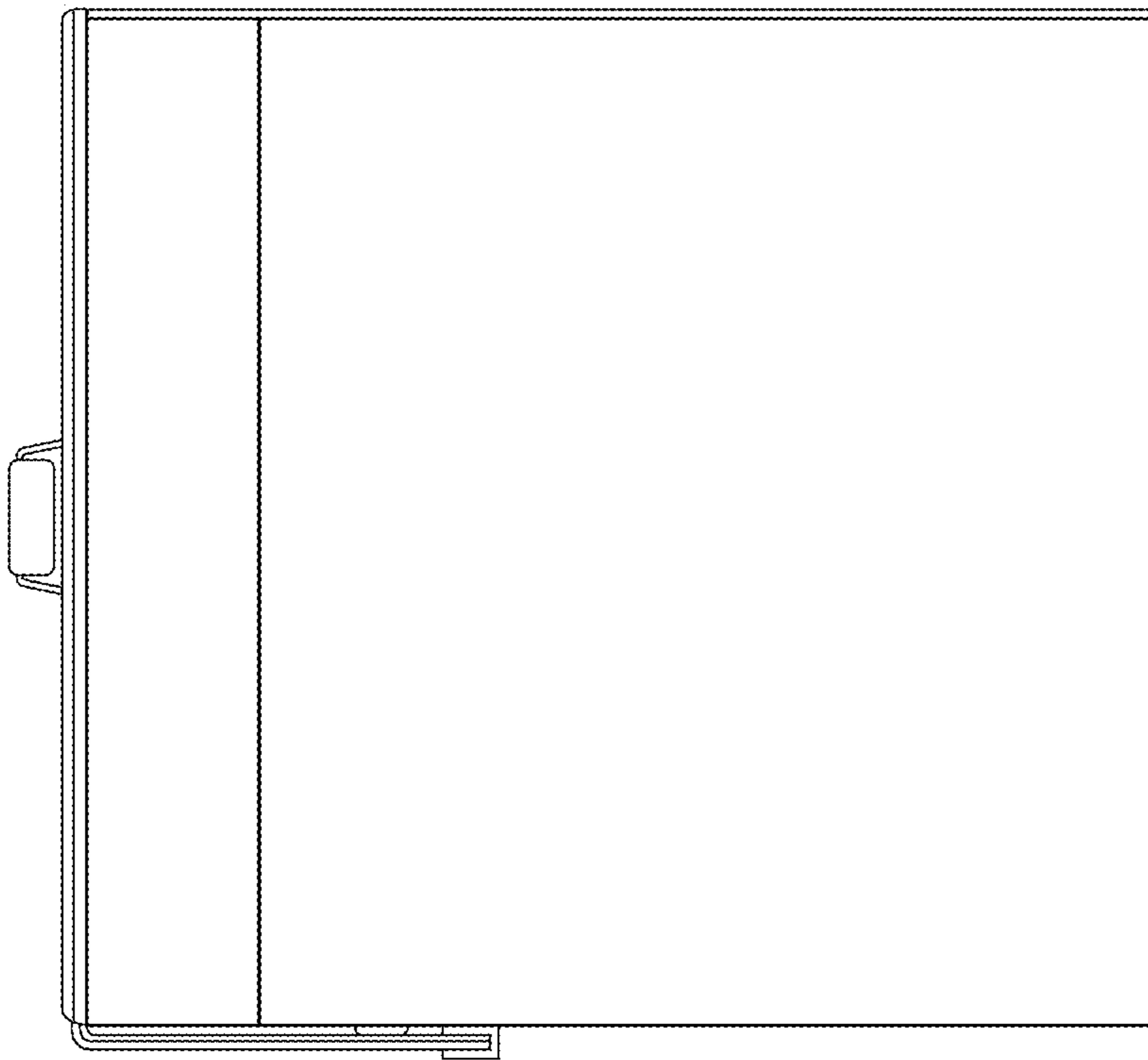


FIG. 5

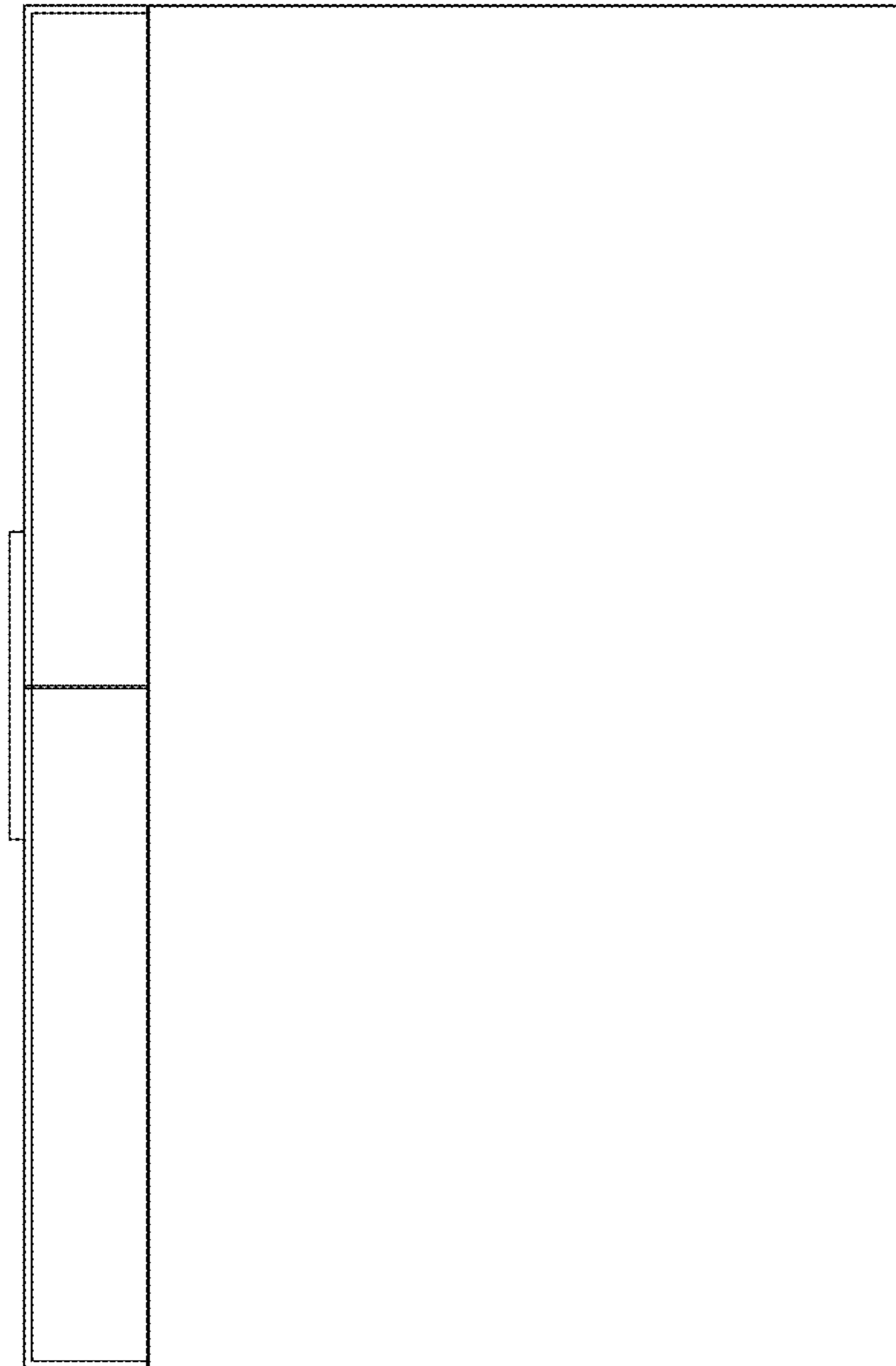


FIG. 6

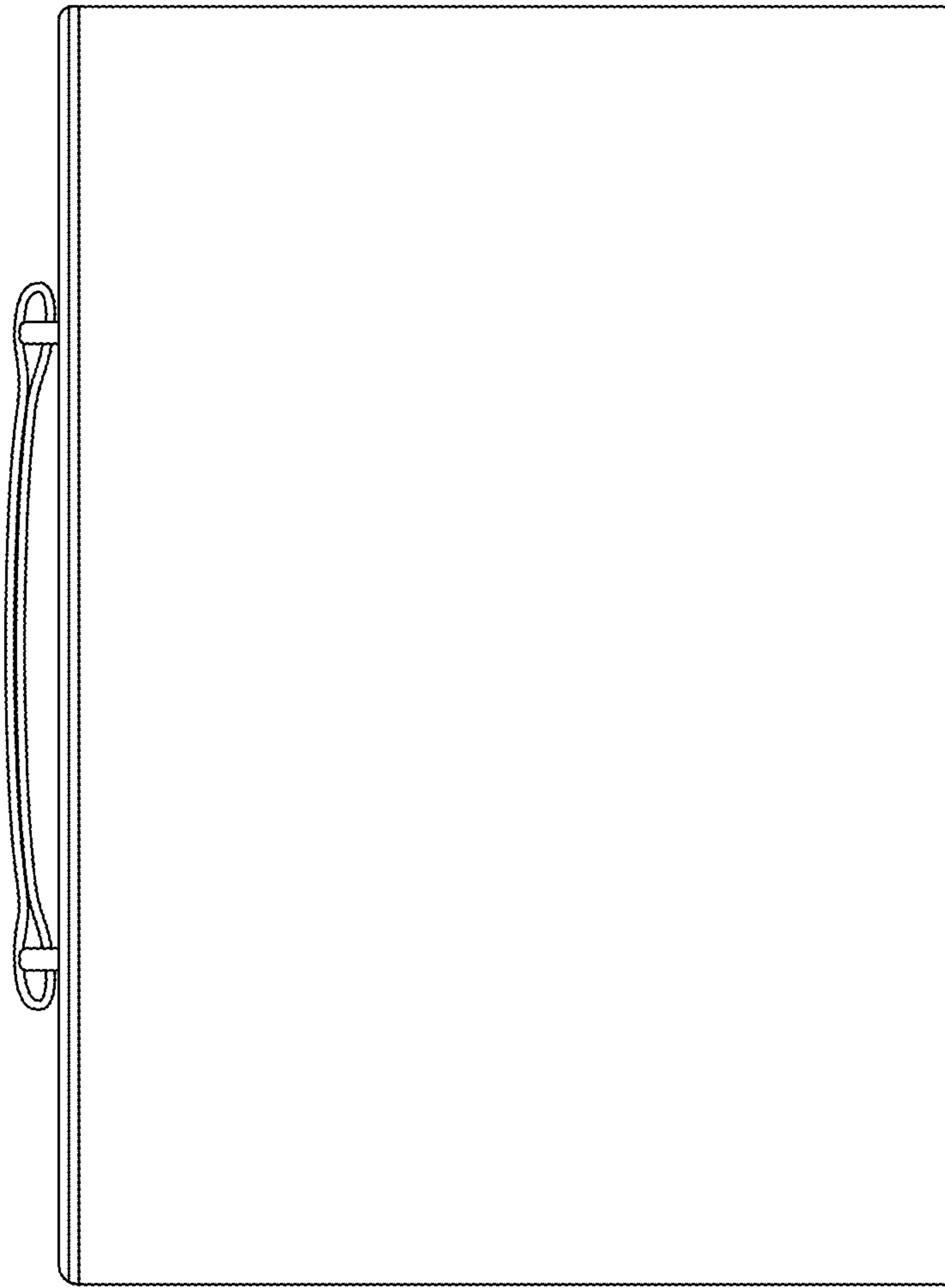


FIG. 7

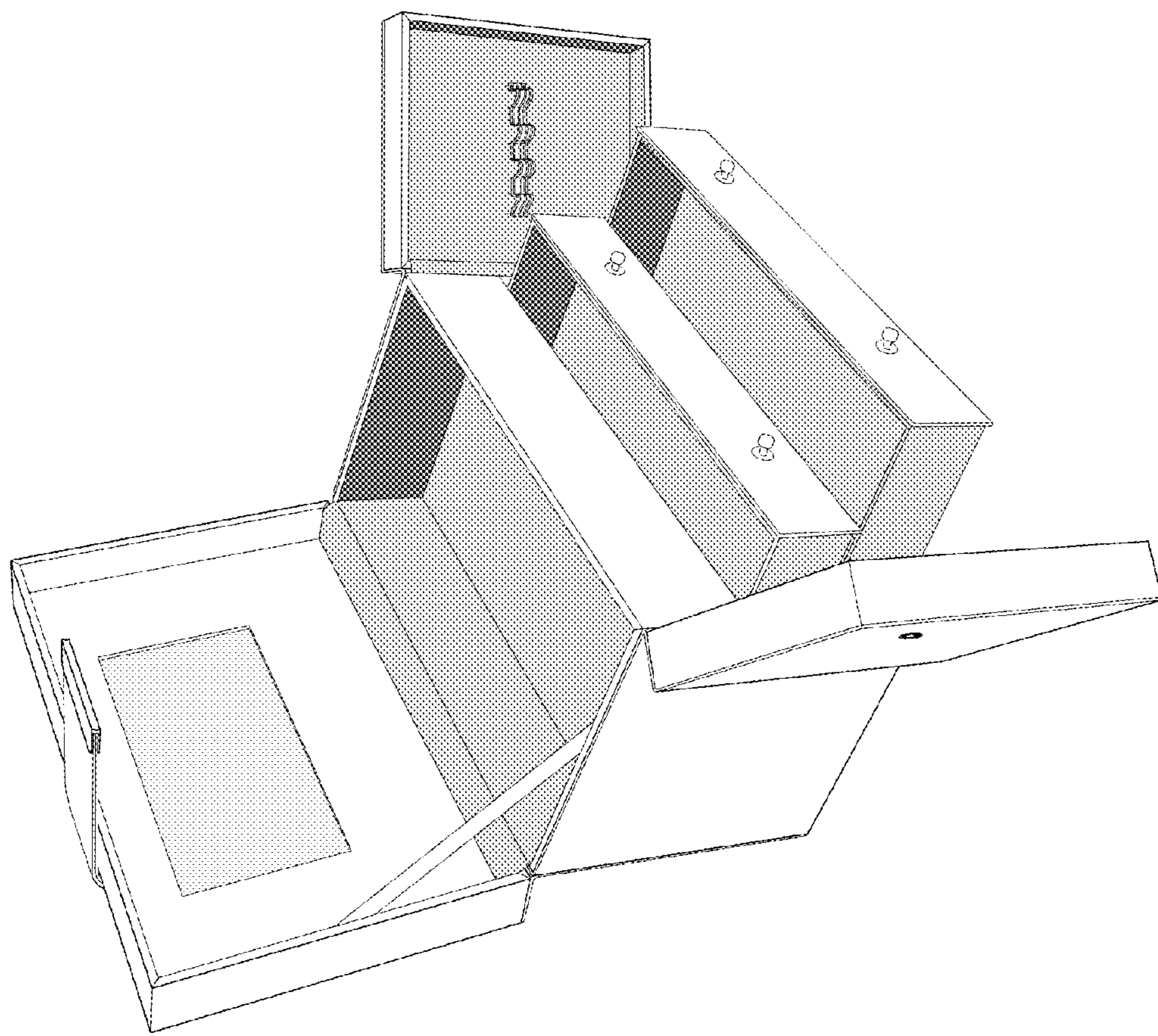


FIG. 8