



US00D773184S

(12) **United States Design Patent** (10) **Patent No.:** **US D773,184 S**
Ko (45) **Date of Patent:** **** Dec. 6, 2016**

(54) **TOOL BOX**
(71) Applicant: **Ming-Hong Ko**, Taichung (TW)
(72) Inventor: **Ming-Hong Ko**, Taichung (TW)
(**) Term: **15 Years**

(21) Appl. No.: **29/529,259**
(22) Filed: **Jun. 4, 2015**
(51) **LOC (10) Cl.** **03-01**
(52) **U.S. Cl.**
USPC **D3/274; D3/298; D3/905**
(58) **Field of Classification Search**
USPC D3/273, 276, 294, 298, 302, 905, 279,
D3/280, 281, 282, 283, 284, 295, 301
CPC B25H 3/00; B25H 3/003; B25H 3/006;
B25H 3/02-3/028
See application file for complete search history.

(56) **References Cited**

U.S. PATENT DOCUMENTS

D477,714 S * 7/2003 Cunningham D3/273
D514,807 S * 2/2006 Concari D3/273
D552,352 S * 10/2007 Lin D3/294
D717,048 S * 11/2014 Meng D3/294
D718,049 S * 11/2014 Hsu D3/273
D729,520 S * 5/2015 Koeniger D3/294

D735,995 S * 8/2015 Lin D3/294
D749,846 S * 2/2016 Koeniger D3/294
D753,917 S * 4/2016 Koeniger D3/294
2008/0017537 A1* 1/2008 Inskeep A45C 5/03
206/350
2010/0122983 A1* 5/2010 Steele B25H 3/027
220/4.03

* cited by examiner

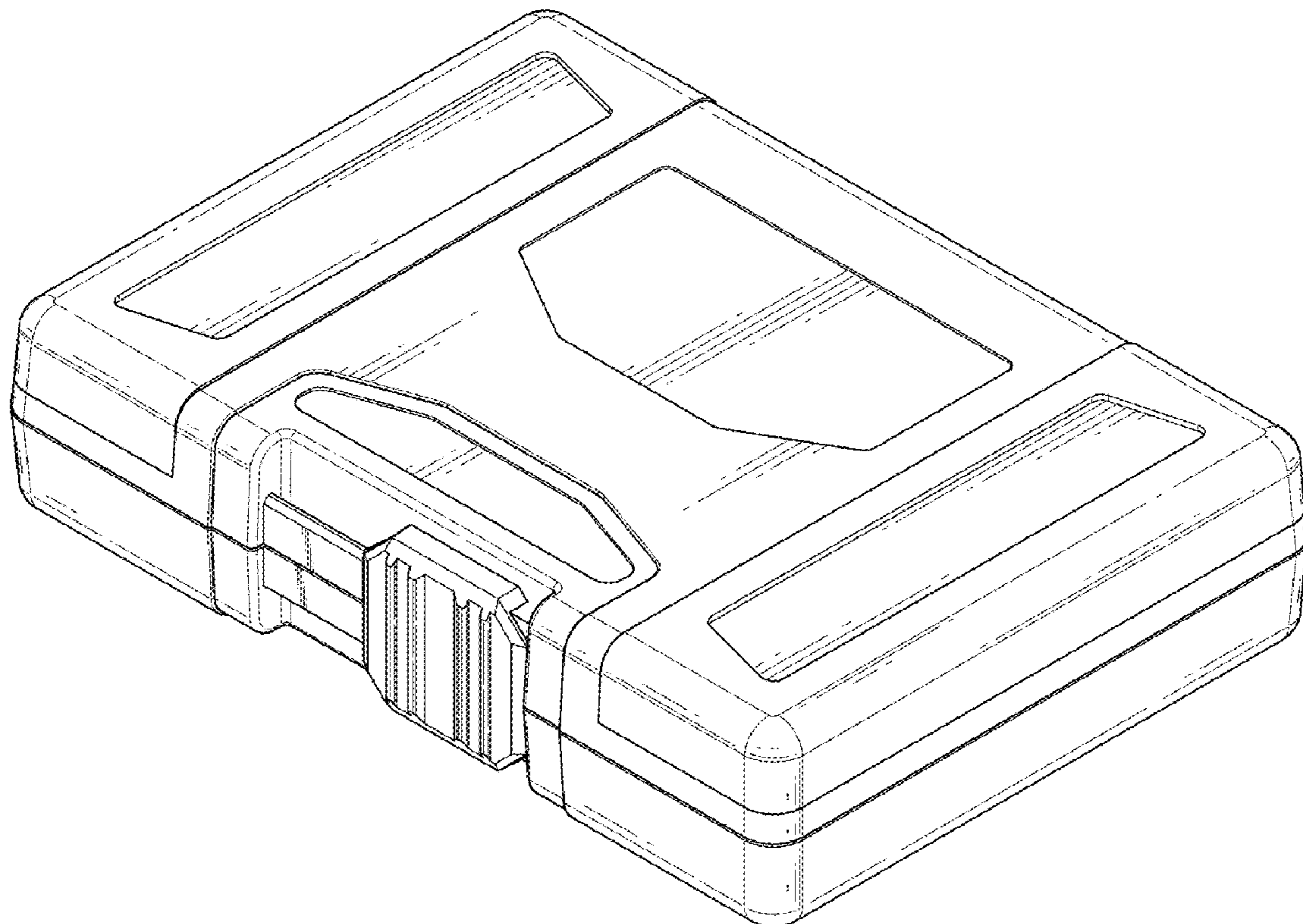
Primary Examiner — Jennifer Rivard
Assistant Examiner — April Rivas
(74) *Attorney, Agent, or Firm* — Raymond Y. Chan;
David and Raymond Patent Firm

(57) **CLAIM**
The ornamental design for a tool box, as shown and described.

DESCRIPTION

FIG. 1 is a perspective view of a tool box showing my new design.
FIG. 2 is a front elevational view thereof.
FIG. 3 is a rear elevational view thereof.
FIG. 4 is a right side elevational view thereof.
FIG. 5 is a left side elevational view thereof.
FIG. 6 is a top plan view thereof; and,
FIG. 7 is a bottom plan view thereof.
The broken line in the drawing is included for the purpose of illustrating environmental detail and forms no part of the claimed design.

1 Claim, 7 Drawing Sheets



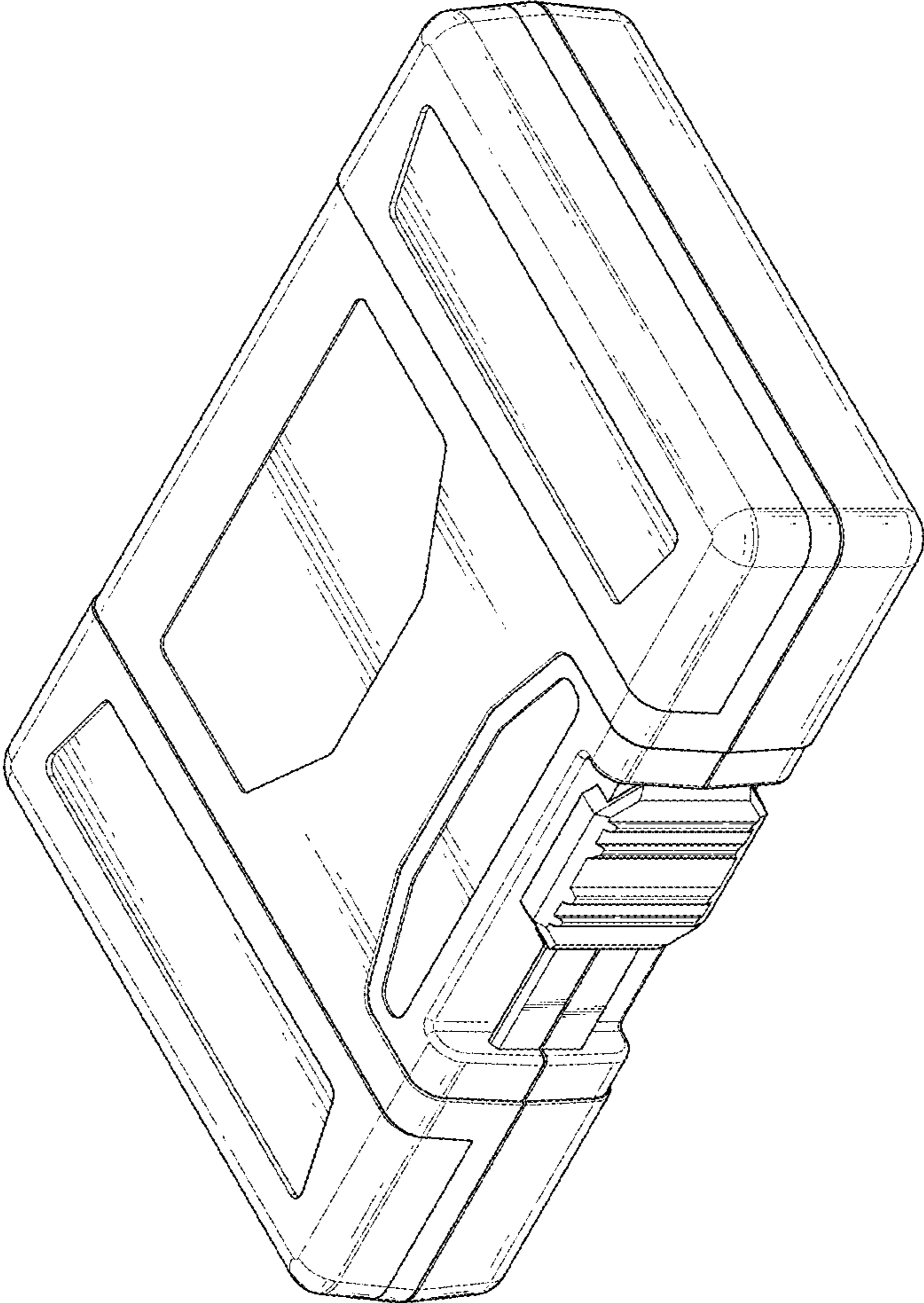


FIG. 1

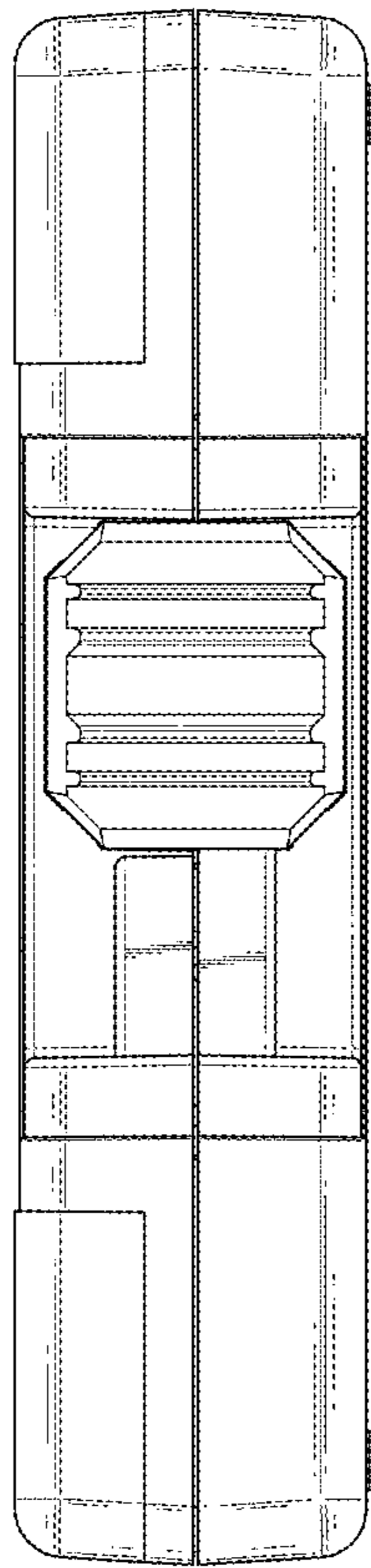


FIG. 2

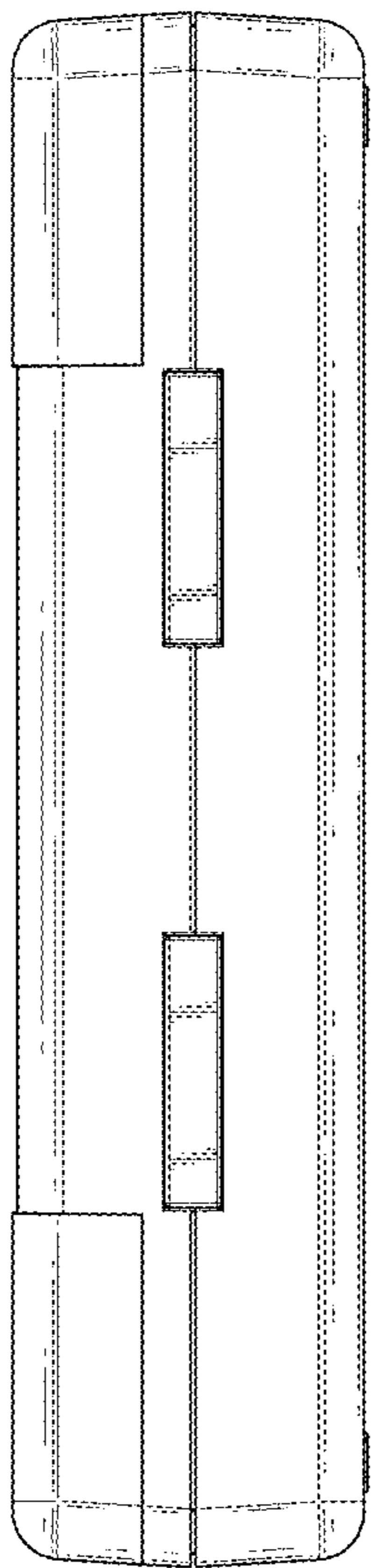


FIG. 3

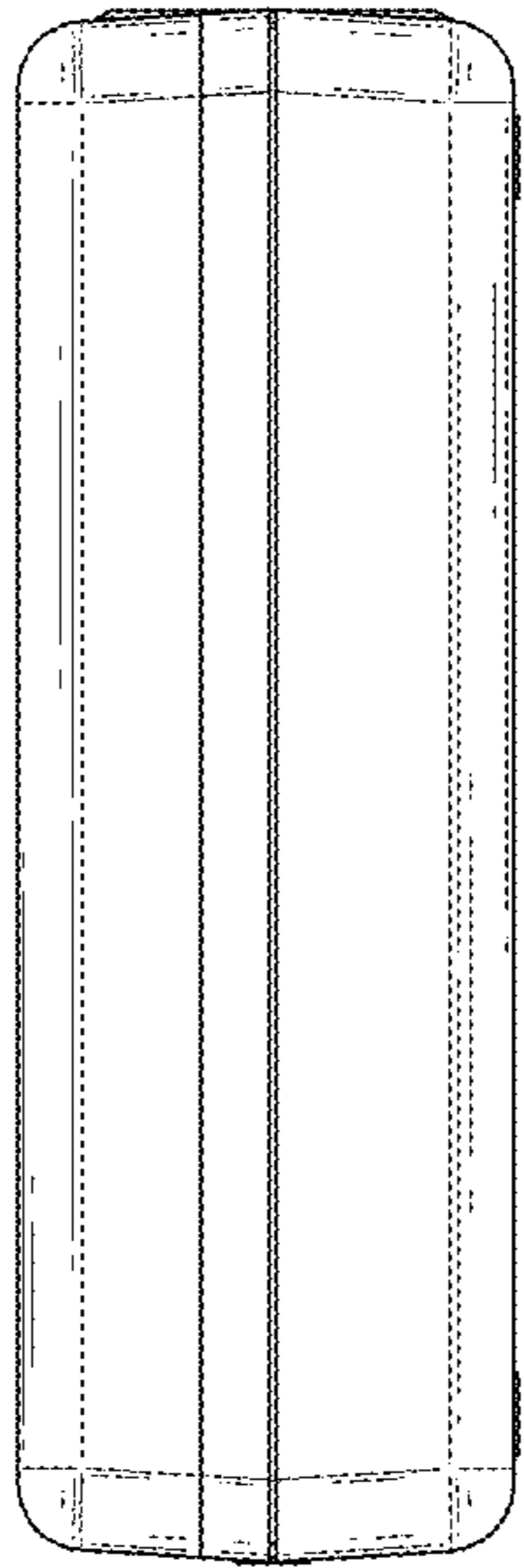


FIG. 4

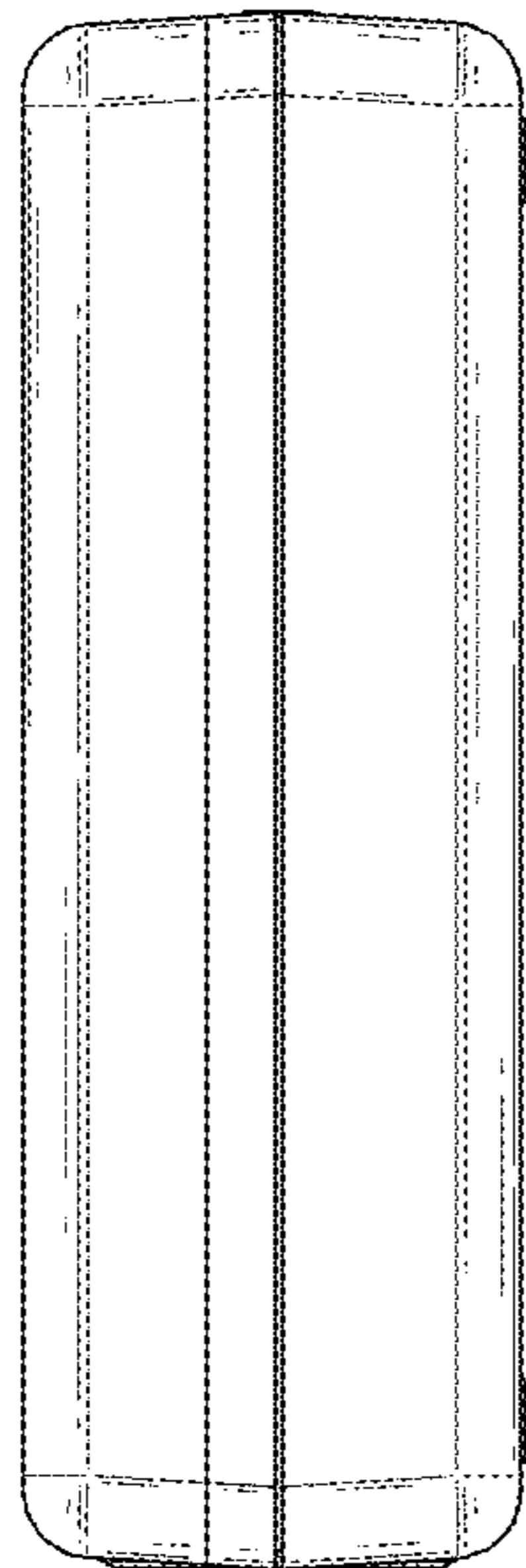


FIG. 5

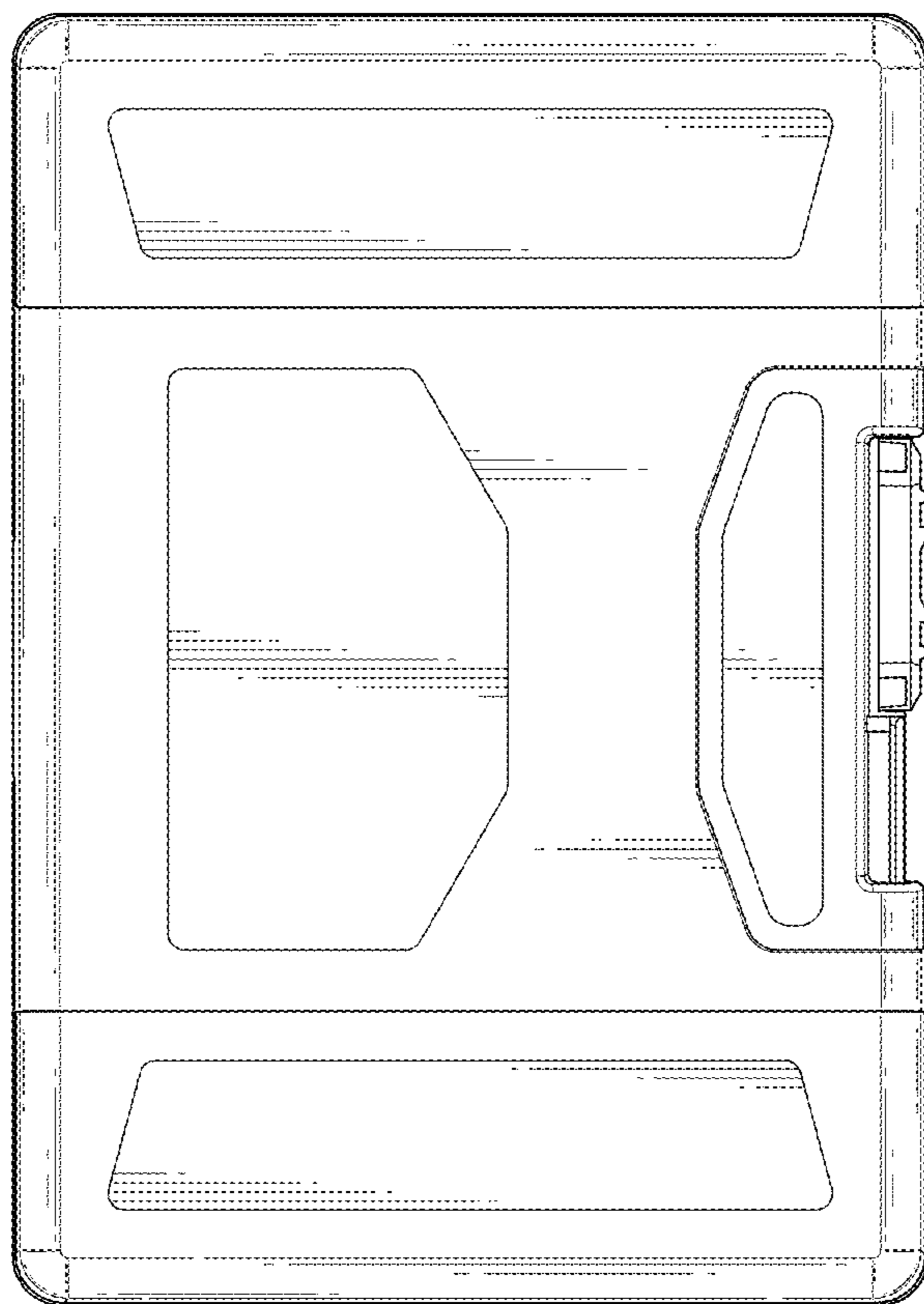


FIG. 6

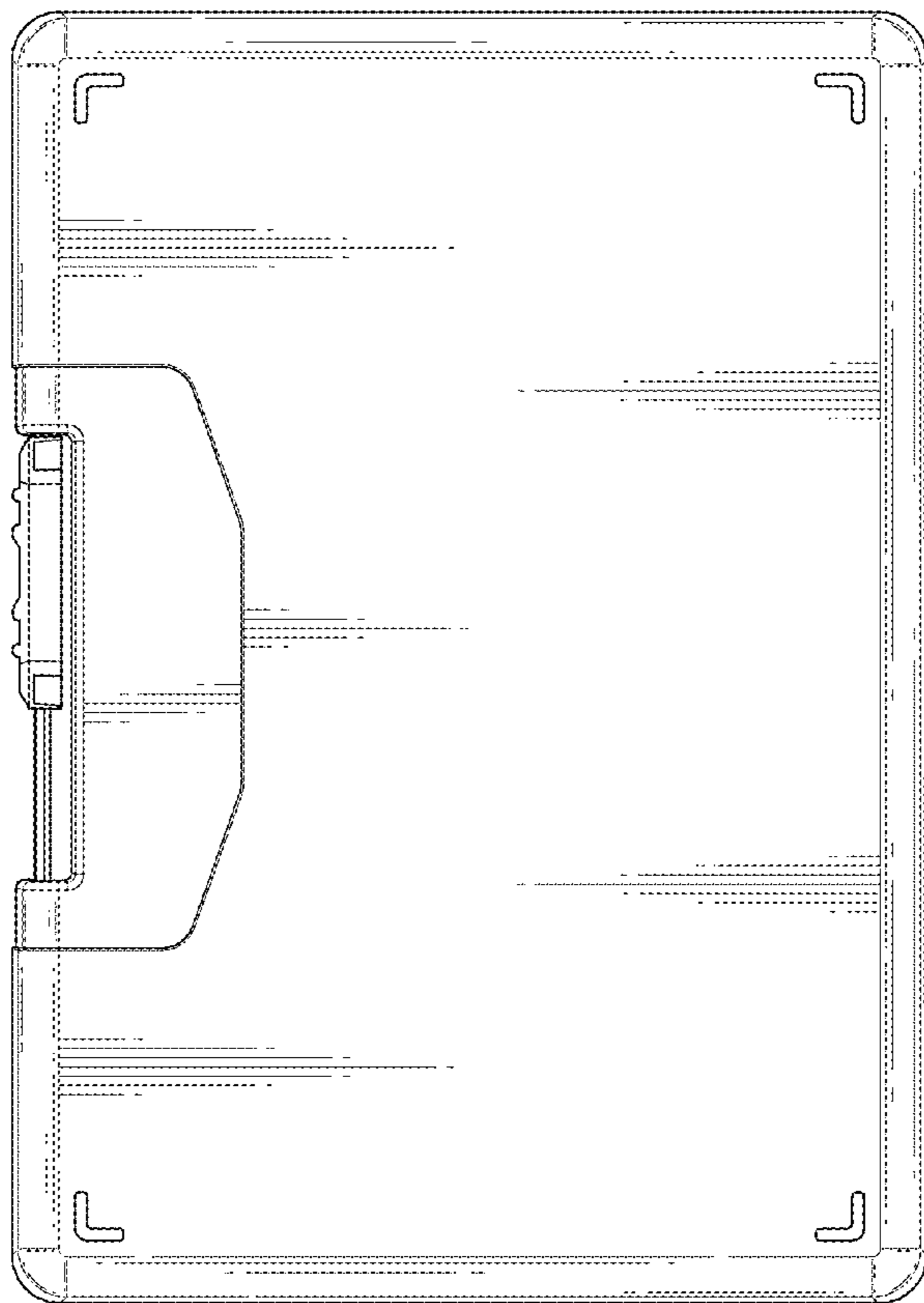


FIG. 7