



US00D773183S

(12) **United States Design Patent** (10) **Patent No.:** **US D773,183 S**
Bolt (45) **Date of Patent:** **** Dec. 6, 2016**

- (54) **EYEWEAR BAG**
- (71) Applicant: **Jason Bolt**, Vancouver, WA (US)
- (72) Inventor: **Jason Bolt**, Vancouver, WA (US)
- (73) Assignee: **REVANT, LLC**, Portland, OR (US)
- (**) Term: **14 Years**
- (21) Appl. No.: **29/515,835**
- (22) Filed: **Jan. 27, 2015**
- (51) **LOC (10) Cl.** **03-01**
- (52) **U.S. Cl.**
USPC **D3/265**
- (58) **Field of Classification Search**
USPC D3/234, 255, 271.9, 320, 256, 262, 279,
D3/299, 301, 303, 318, 319, 273, 289, 292,
D3/294-296, 232, 244, 261, 317, 206, 268,
D3/269, 270; D9/600, 631
CPC A45C 1/00; A45C 1/02; A45C 1/024;
A45C 1/08; A45C 3/00; A45C 3/10; A45C
2003/001; A45C 2011/003; A45C 5/00;
A45C 7/00; A45C 7/0018; A45C 7/0054;
A45C 7/0059; A45C 7/0095; A45C 2200/00;
A45C 13/00; A45C 13/001; A45C 13/002;
A45C 13/08; A45C 11/24; A45F 3/00;
A45F 3/02; A45F 3/04; A45F 3/06; A45F
2003/001; A45F 2003/002; A45F 2003/006;
A45F 2200/00; A45F 2200/0525
See application file for complete search history.

(56) **References Cited**
U.S. PATENT DOCUMENTS

D23,414 S *	7/1894	Millhiser	D27/185
2,563,616 A *	8/1951	Perino	A45C 13/1046 383/6
D258,998 S *	4/1981	Pratt	D3/244
4,964,188 A *	10/1990	Olson	A41D 19/0075 15/227
D322,888 S *	1/1992	Crawford	D3/244

D350,230 S *	9/1994	O'Brien	D28/38
D356,948 S *	4/1995	Nahatchewitz	D3/303
D388,956 S *	1/1998	Leo	D3/234
D399,655 S *	10/1998	Maxham	D3/201
D408,990 S *	5/1999	Tackett	D3/226
D425,409 S *	5/2000	Gilliam	D7/709
D435,344 S *	12/2000	Harrison	D12/188
D468,094 S *	1/2003	Bomann	D3/226
D504,552 S *	5/2005	Michaelis	D2/719
D533,347 S *	12/2006	Andre	D3/303
D547,059 S *	7/2007	Keller	D3/233
D644,881 S *	9/2011	van Wijk	D7/601
D666,416 S *	9/2012	Haywood	D3/299
D681,328 S *	5/2013	Robinson	D3/269
D706,538 S *	6/2014	Harnisch	D3/266
D712,145 S *	9/2014	Olsson	D3/303
D716,050 S *	10/2014	Ferguson	D3/303
2004/0202388 A1 *	10/2004	Rusnak	B65F 1/0006 383/71

* cited by examiner

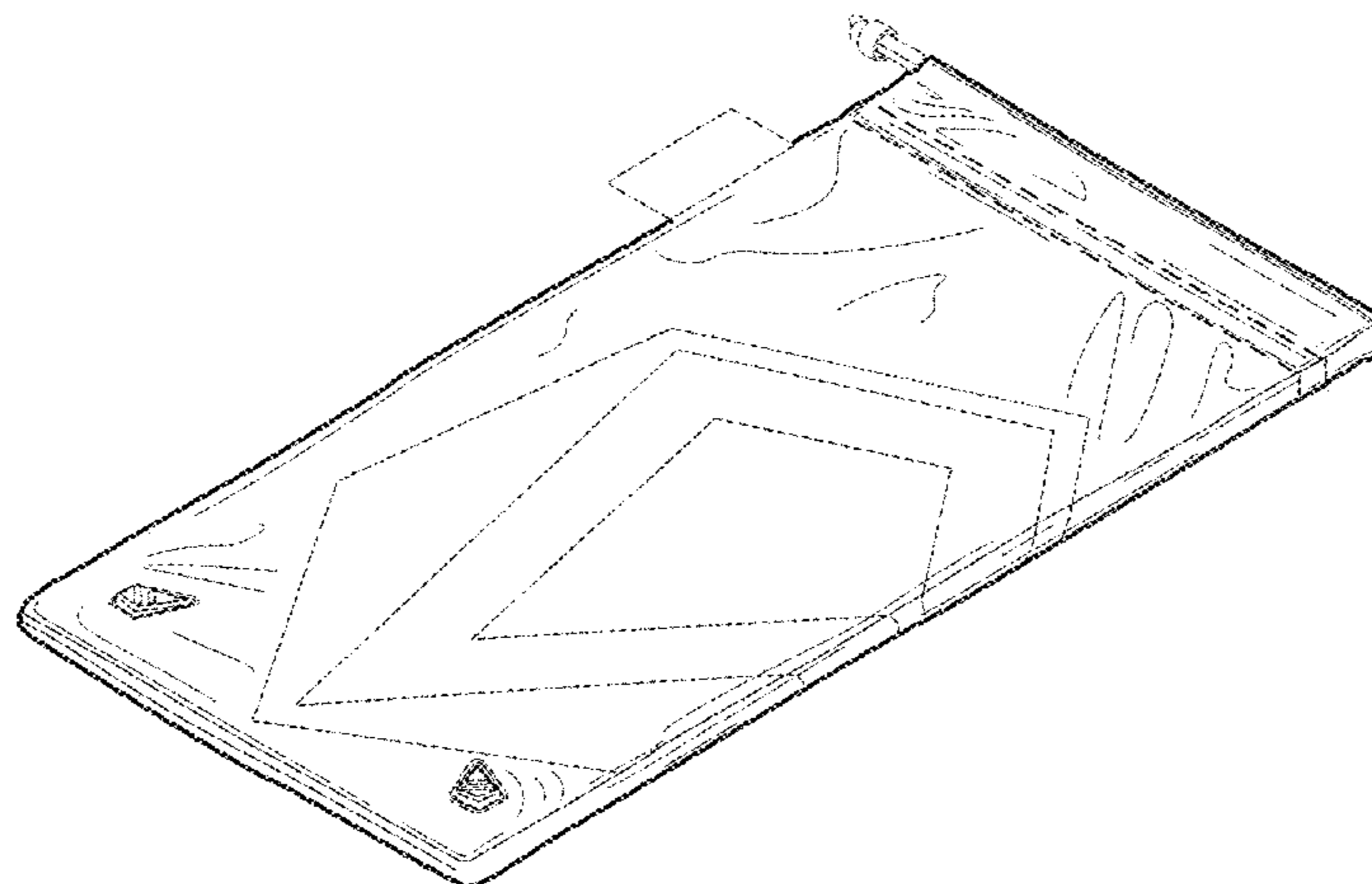
Primary Examiner — Sandra Snapp
Assistant Examiner — Holly E Thurman
(74) *Attorney, Agent, or Firm* — Miller Nash Graham & Dunn LLP; Chandra E. Eidt

(57) **CLAIM**
The ornamental design for an eyewear bag, as shown and described.

DESCRIPTION

FIG. 1 illustrates a front perspective view of the new design for an eyewear bag;
FIG. 2 illustrates a front view thereof;
FIG. 3 illustrates a top view thereof;
FIG. 4 illustrates a bottom view thereof;
FIG. 5 illustrates a left side view thereof;
FIG. 6 illustrates a right side view thereof; and,
FIG. 7 illustrates a back view thereof.
The two heavyweight long dashed lines represent stitching, and form part of the claimed design. All other lightweight short dashed lines depict unclaimed portions of the eyewear bag and form no part of the claimed design.

1 Claim, 3 Drawing Sheets



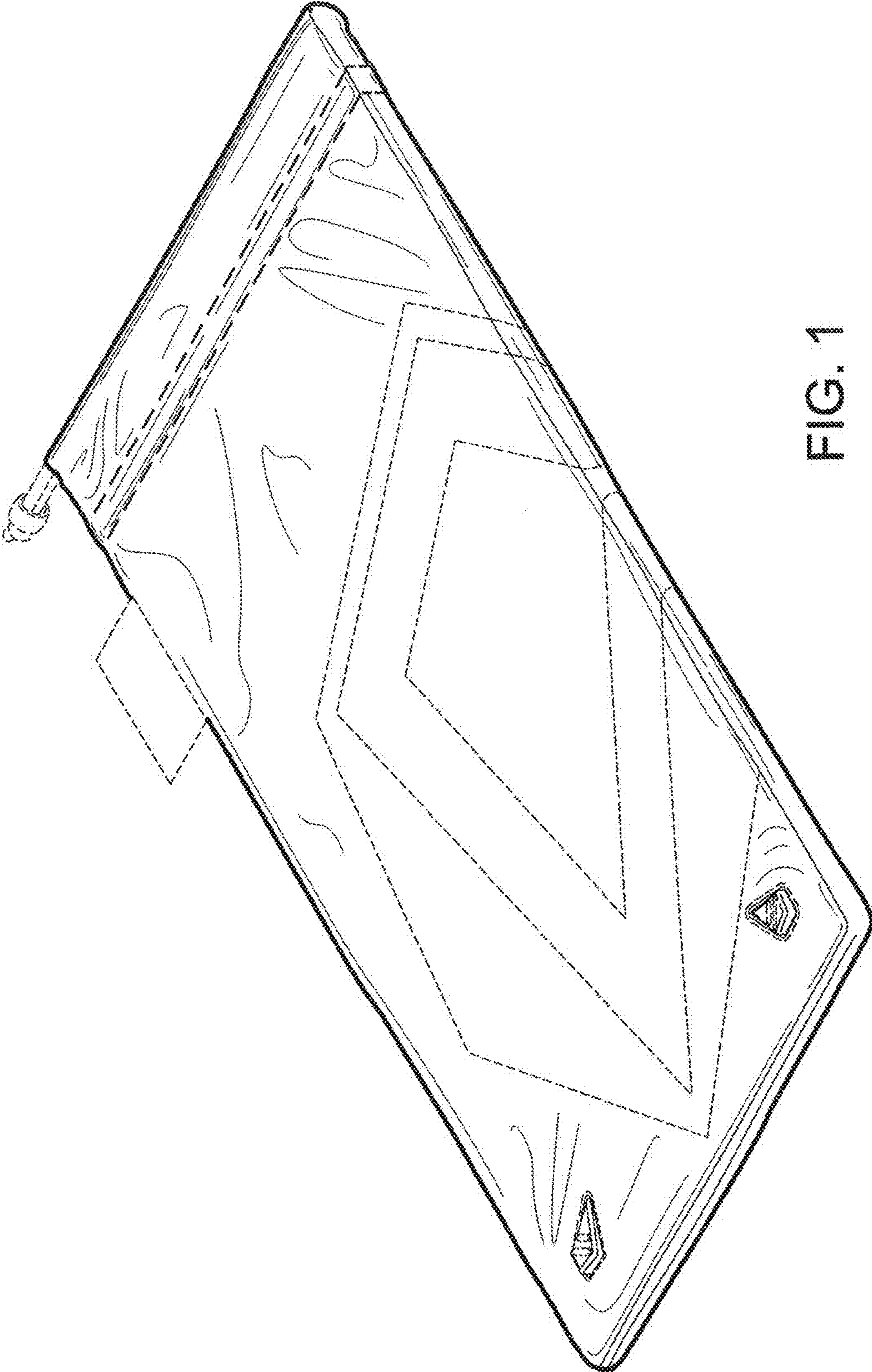


FIG. 1

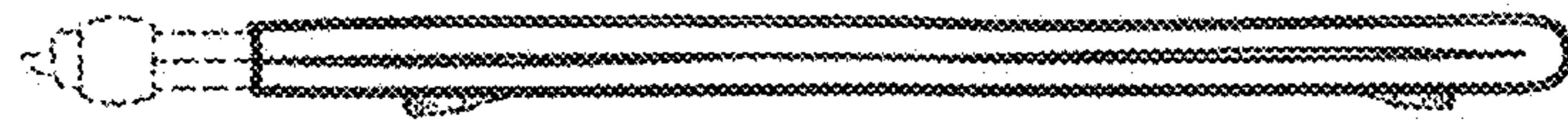


FIG. 3

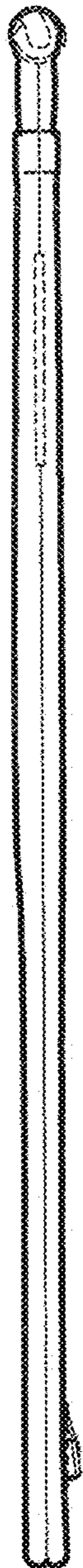


FIG. 5

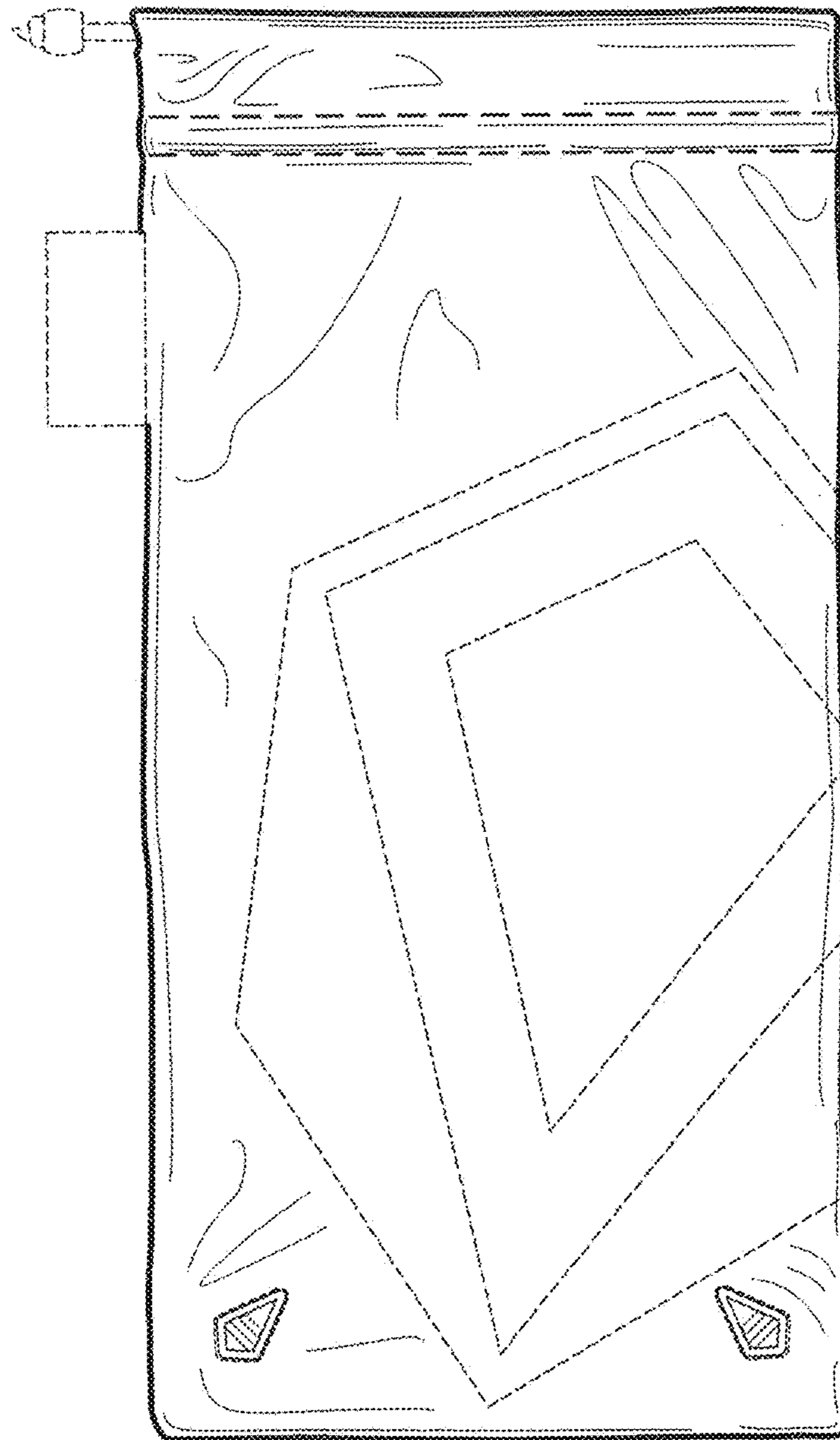


FIG. 2

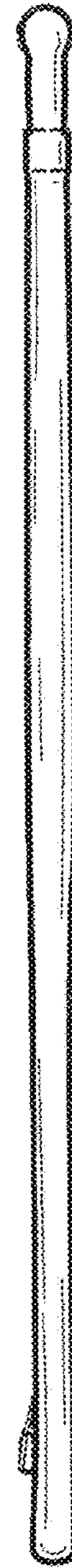


FIG. 6

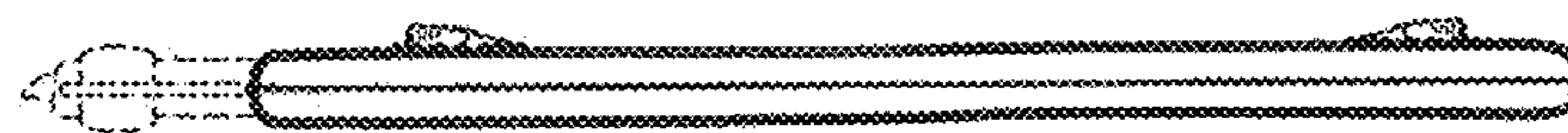


FIG. 4

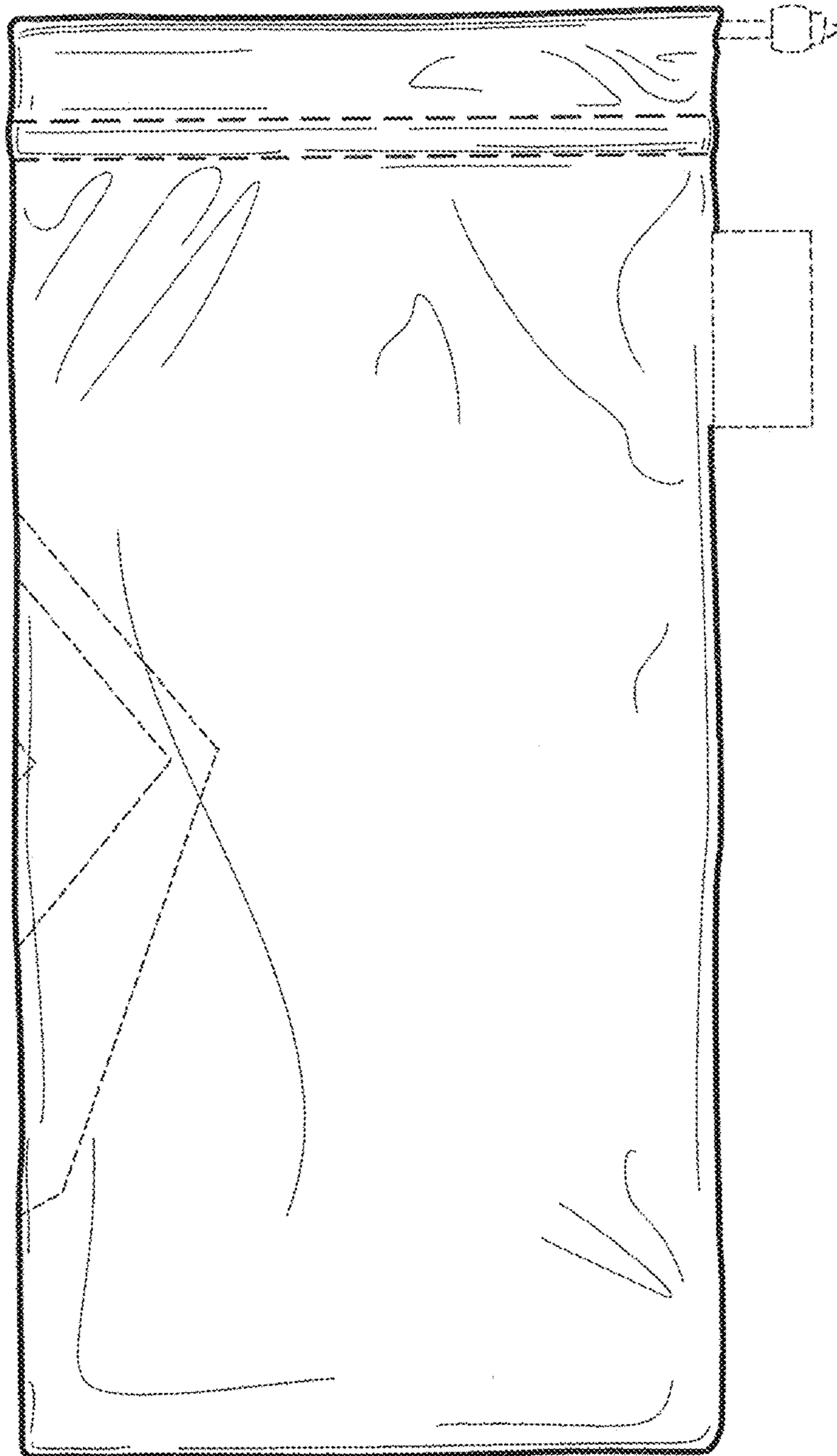


FIG. 7