



US00D773181S

(12) **United States Design Patent**
Tappeiner

(10) **Patent No.:** **US D773,181 S**

(45) **Date of Patent:** **** Dec. 6, 2016**

(54) **WALLET**

(71) Applicant: **The Travel Hammock Inc.**, Skokie, IL
(US)

(72) Inventor: **Marc Tappeiner**, Santa Barbara, CA
(US)

(73) Assignee: **The Travel Hammock Inc.**, Skokie, IL
(US)

(**) Term: **15 Years**

(21) Appl. No.: **29/532,900**

(22) Filed: **Jul. 10, 2015**

(51) **LOC (10) Cl.** **03-01**

(52) **U.S. Cl.**
USPC **D3/247**

(58) **Field of Classification Search**
USPC D3/20, 203.6, 205, 206, 208, 226,
232,D3/245, 247-253, 303, 324;
D14/251; D19/3, D19/27, 75, 86, 91, 102
CPC A45C 1/06; A45C 3/08
See application file for complete search history.

(56) **References Cited**

U.S. PATENT DOCUMENTS

3,856,063	A *	12/1974	Dengel	A45C 1/06	150/132
D343,518	S *	1/1994	Saggese, Jr.	D3/215	
D383,492	S *	9/1997	Siemon	D19/26	
D403,915	S *	1/1999	Temple	D3/201	
D471,706	S *	3/2003	Campagna	D3/215	
D522,750	S *	6/2006	Girod	D3/303	
D572,475	S *	7/2008	Tuttle	D3/248	
D577,191	S *	9/2008	Moldovan	D3/203.6	

D593,317	S *	6/2009	Yao	D3/203.6	
D594,656	S *	6/2009	Wills	D3/247	
D633,714	S *	3/2011	Marshall	D3/247	
D694,012	S *	11/2013	Hyzdu	D3/303	
D697,709	S *	1/2014	Klusener	D3/218	
D712,140	S *	9/2014	Klusener	D3/247	
2002/0129882	A1 *	9/2002	Paik	A45C 1/06	150/146
2004/0250933	A1 *	12/2004	DeMichele	A45C 1/08	150/145
2011/0210022	A1 *	9/2011	Degel	A45C 1/06	206/232

* cited by examiner

Primary Examiner — Susan E Krakower
Assistant Examiner — Lisa A Grabenstetter
(74) *Attorney, Agent, or Firm* — Richards Patent Law
P.C.

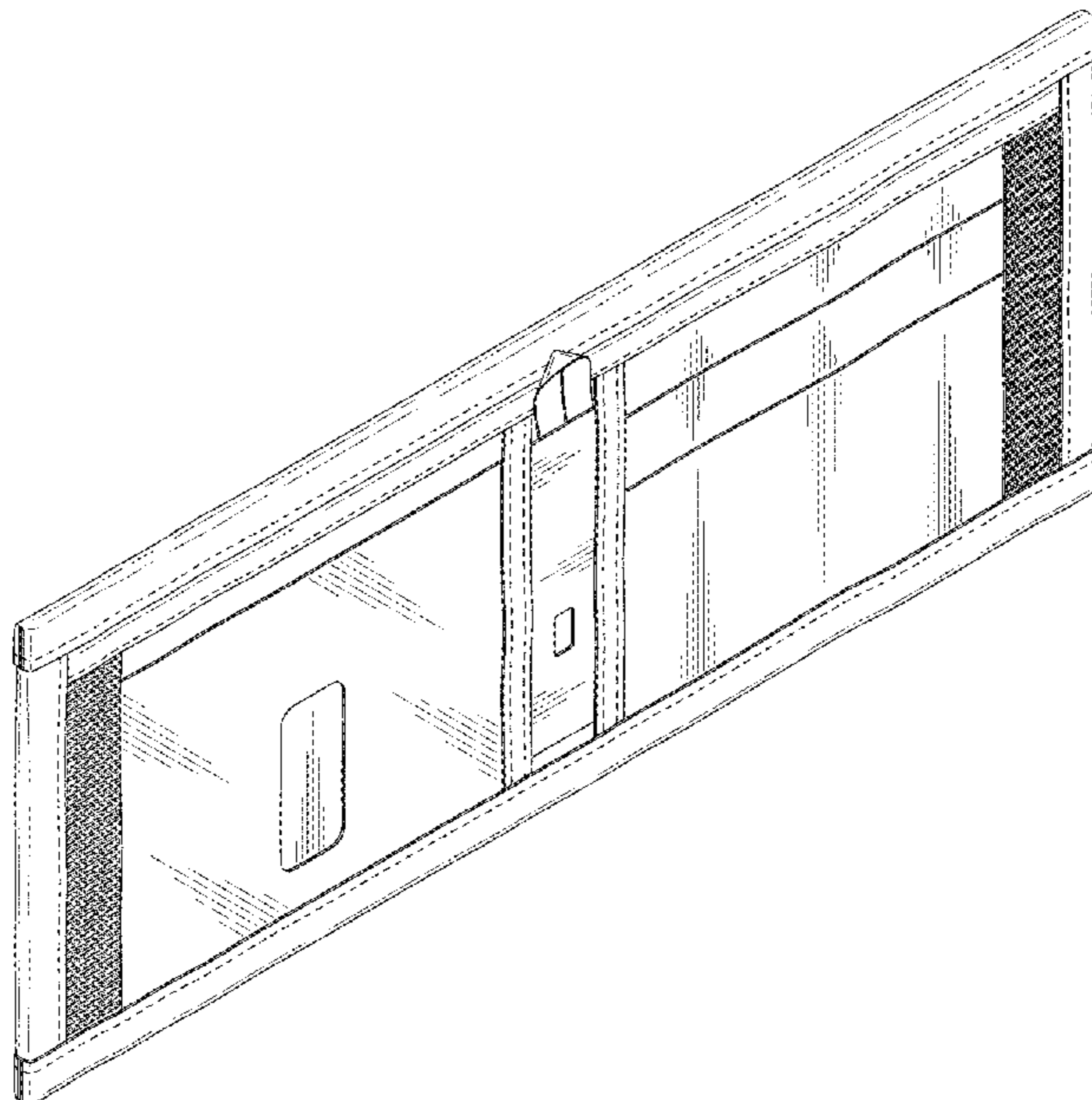
(57) **CLAIM**

The ornamental design for a wallet, as shown and described.

DESCRIPTION

FIG. 1 is a perspective view of a wallet showing my new design, shown in an open condition;
FIG. 2 is a front view thereof;
FIG. 3 is a back view thereof;
FIG. 4 is a left side view thereof;
FIG. 5 is a right side view thereof;
FIG. 6 is a top plan view thereof;
FIG. 7 is a bottom plan view thereof; and,
FIG. 8 is a second perspective view thereof, shown in a folded condition.
The broken lines on the wallet represent unclaimed stitching.

1 Claim, 6 Drawing Sheets



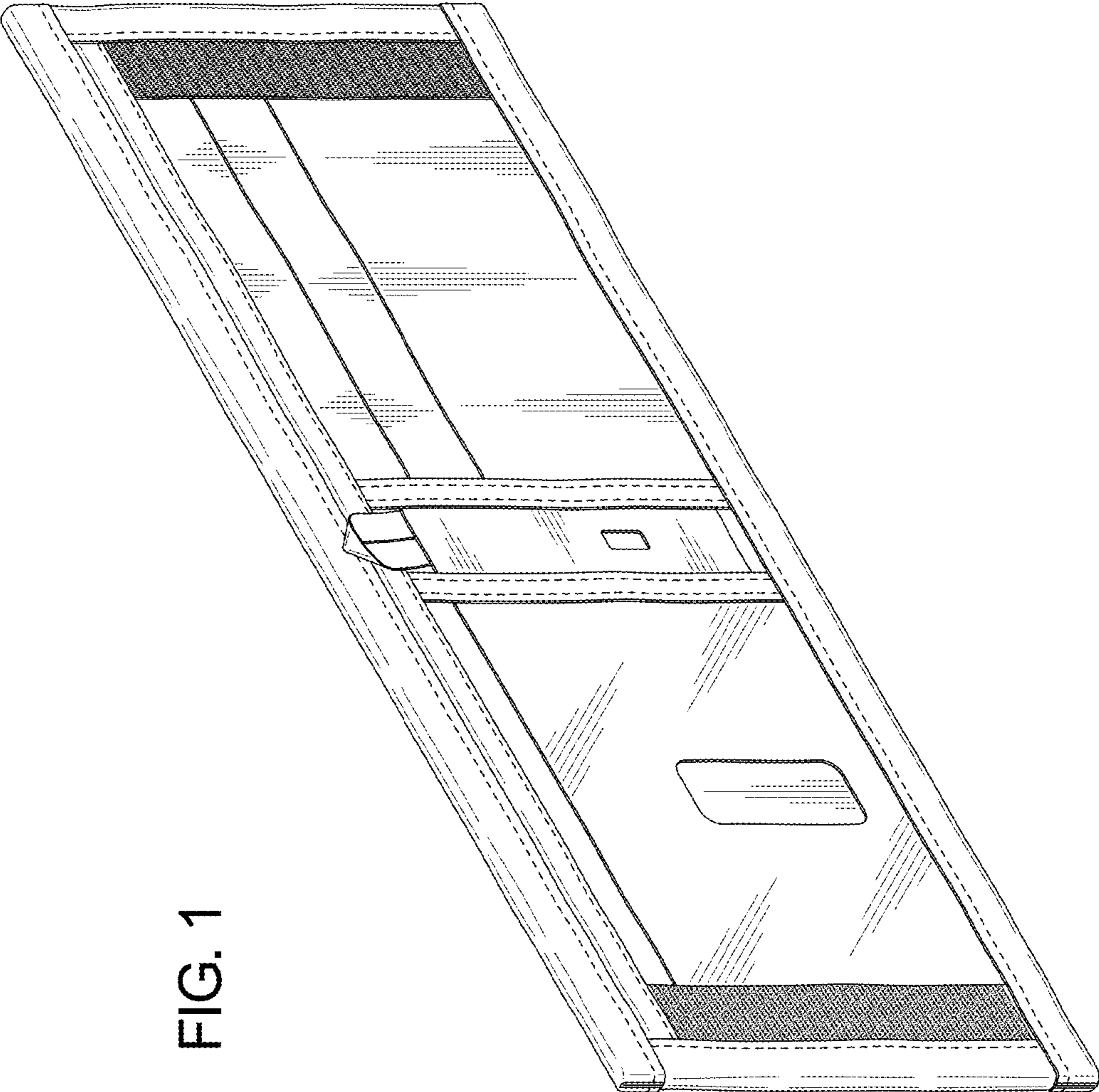


FIG. 1

FIG. 2

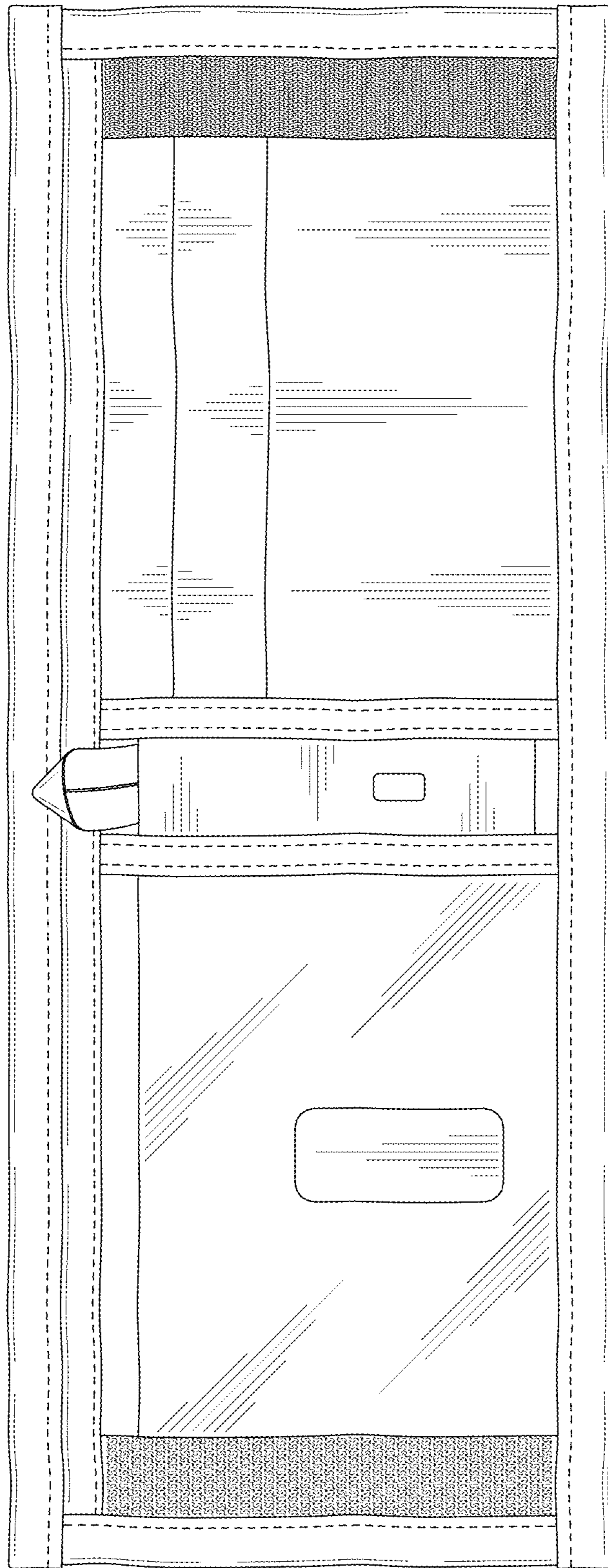


FIG. 3

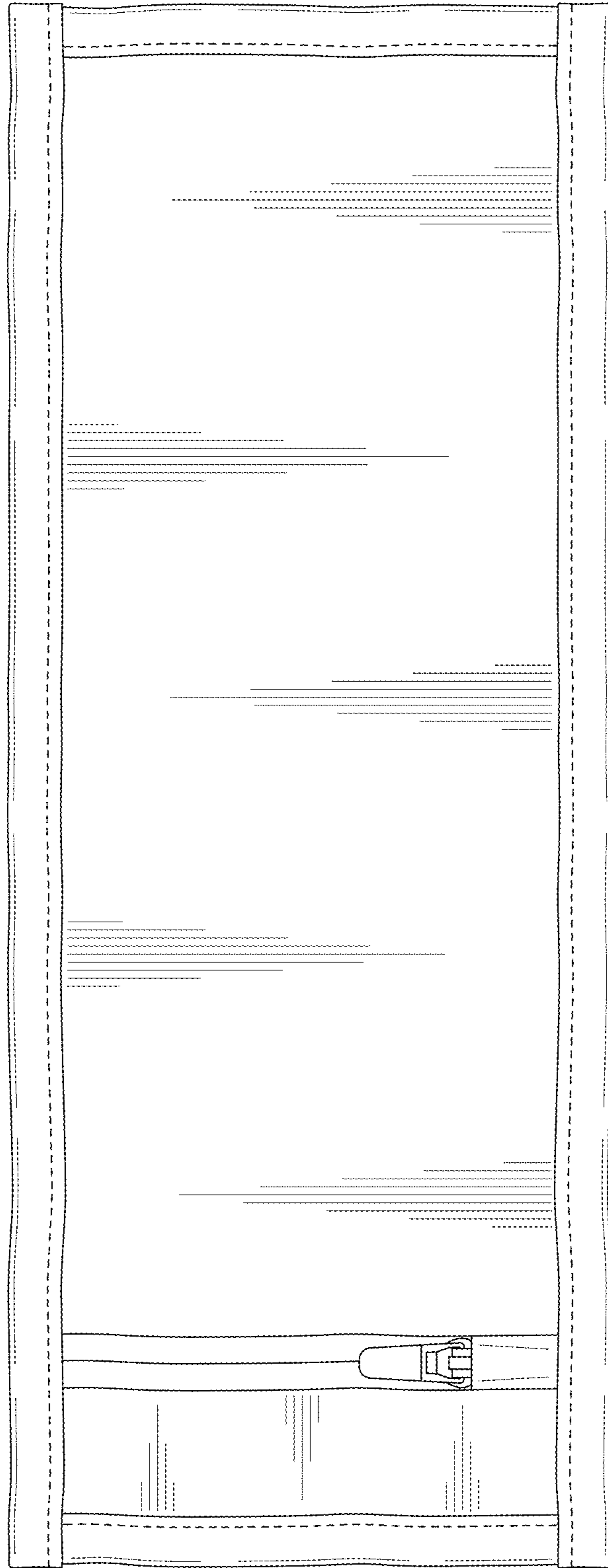


FIG. 5

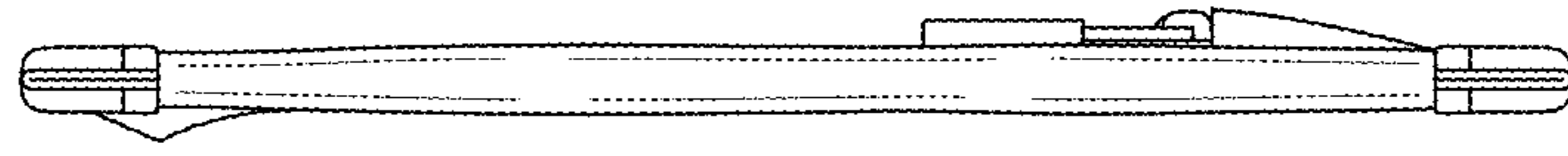


FIG. 4

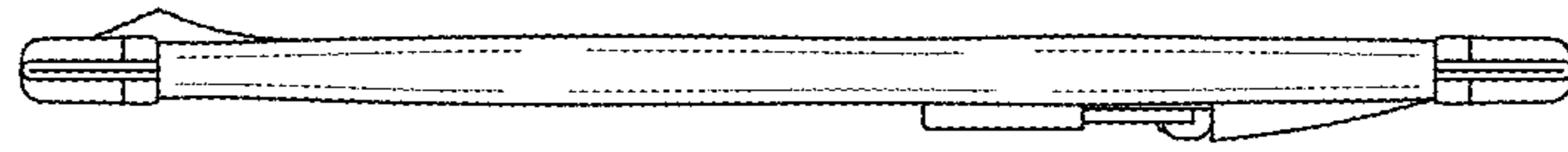


FIG. 6

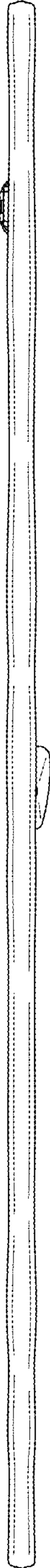


FIG. 7



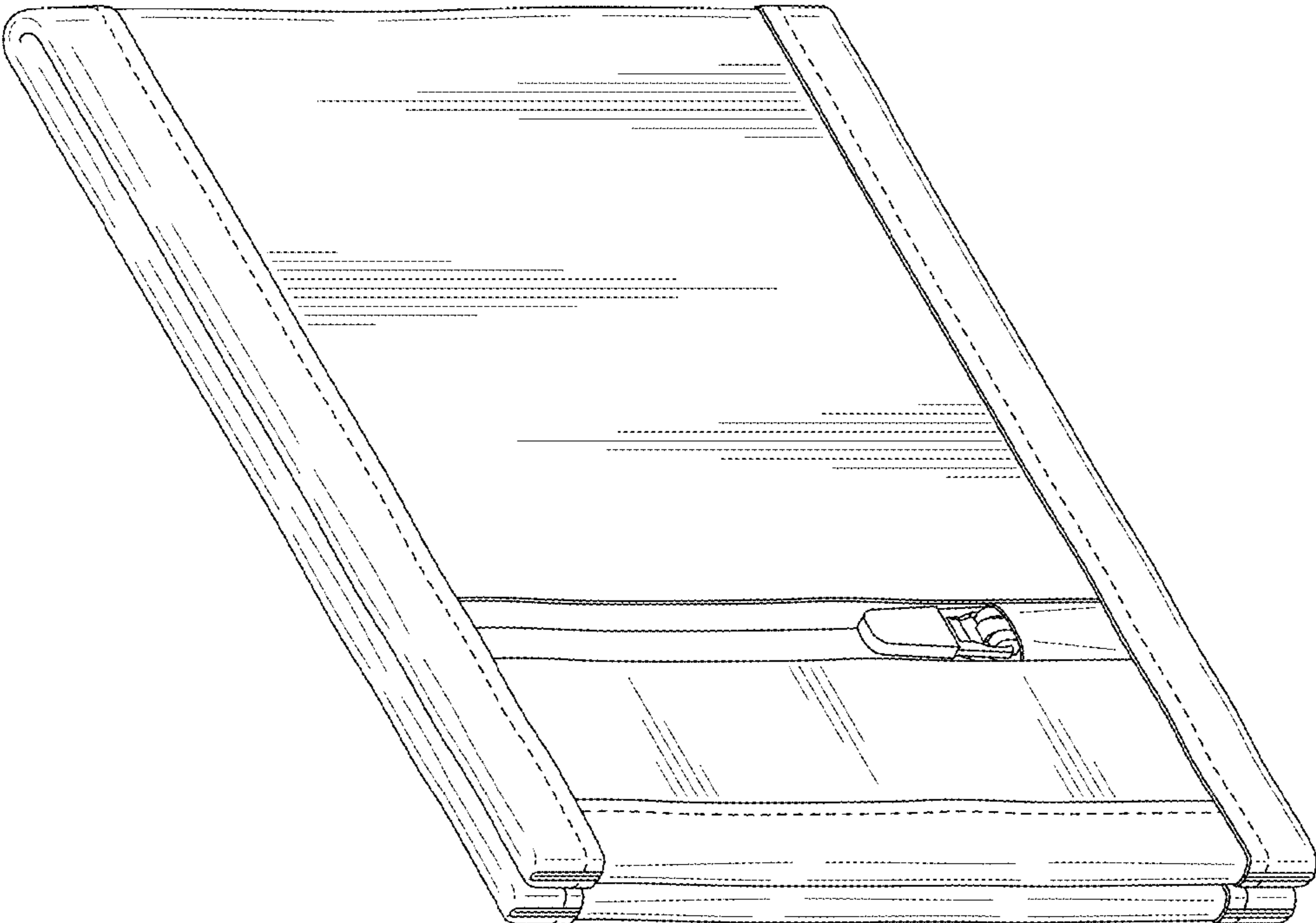


FIG. 8