



US00D773179S

(12) **United States Design Patent**
Keene

(10) **Patent No.:** **US D773,179 S**
(45) **Date of Patent:** **** Dec. 6, 2016**

- (54) **VOLLEYBALL PURSE**
- (71) Applicant: **Sara J. Keene**, Woodlands, TX (US)
- (72) Inventor: **Sara J. Keene**, Woodlands, TX (US)
- (**) Term: **15 Years**
- (21) Appl. No.: **29/533,775**
- (22) Filed: **Jul. 22, 2015**
- (51) **LOC (10) Cl.** **03-01**
- (52) **U.S. Cl.**
USPC **D3/238; D3/234**
- (58) **Field of Classification Search**
USPC D3/232–234, 238, 240–243, 245–246
CPC A45C 1/024; A45C 3/06
See application file for complete search history.

D629,605 S *	12/2010	Traiger	D3/234
D646,053 S *	10/2011	Traiger	D3/234
D677,884 S *	3/2013	Shyr	D3/234
D677,885 S *	3/2013	Shyr	D3/234
D691,799 S *	10/2013	Rall	D3/234
D747,873 S *	1/2016	Peng	D3/234

* cited by examiner

Primary Examiner — Holly Baynham
(74) *Attorney, Agent, or Firm* — Law Office of Jeff Williams; J. Oliver Williams

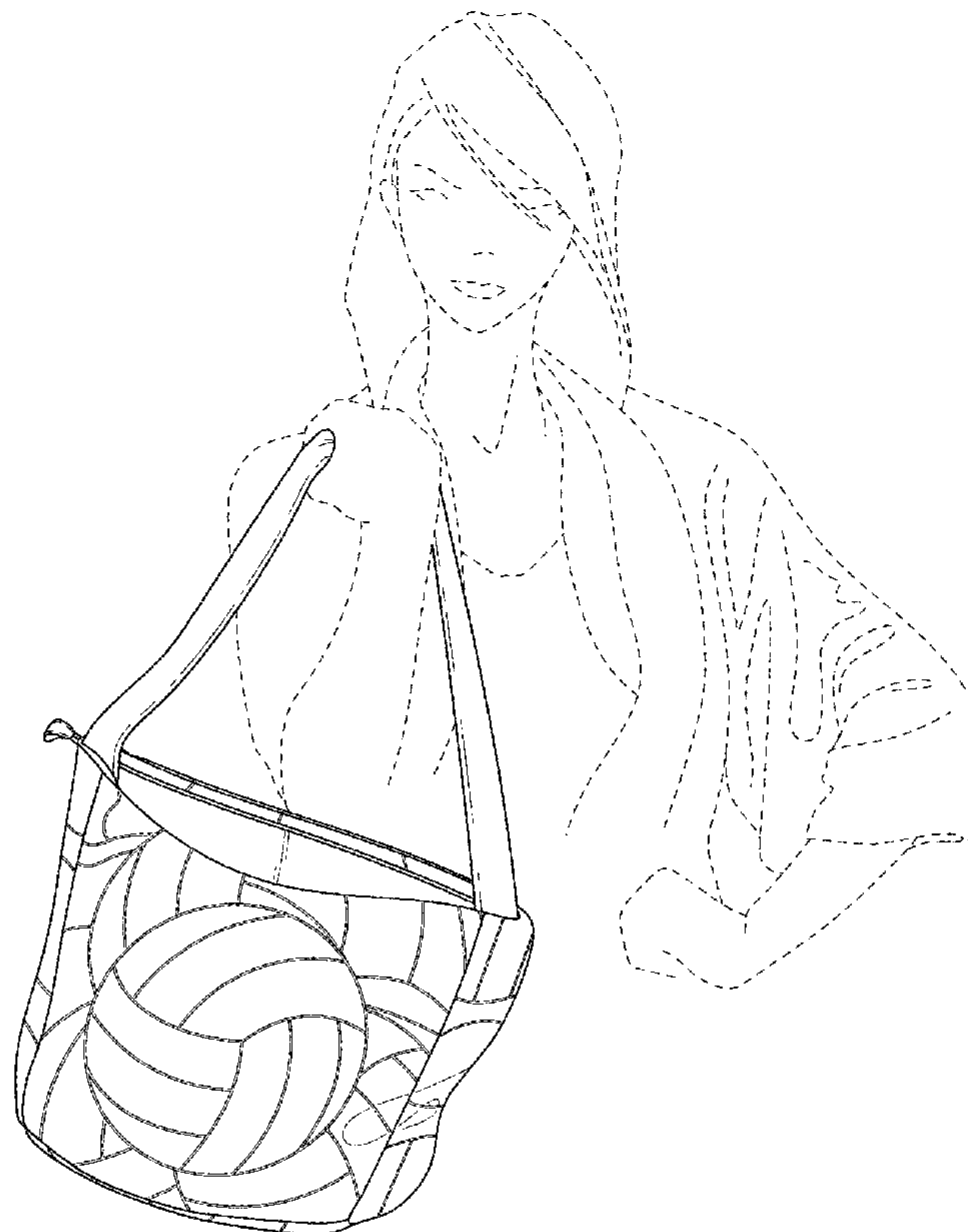
(57) **CLAIM**
The ornamental design for a volleyball purse, as shown.

DESCRIPTION

FIG. 1 is a perspective view of a volleyball purse according to the present application.
FIG. 2 is a right view of the volleyball purse of FIG. 1.
FIG. 3 is a left view of the volleyball purse of FIG. 1.
FIG. 4 is a front view of the volleyball purse of FIG. 1.
FIG. 5 is a back view of the volleyball purse of FIG. 1.
FIG. 6 is a top view of the volleyball purse of FIG. 1; and,
FIG. 7 is a bottom view of the volleyball purse of FIG. 1.
The broken lines are included for the purpose of illustrating environmental structure and form no part of the claimed design.

- (56) **References Cited**
U.S. PATENT DOCUMENTS
- | | | | | |
|--------------|---------|-----------|-------|---------|
| D229,793 S * | 1/1974 | Tibbs | | D3/238 |
| D235,693 S * | 7/1975 | Tibbs | | D3/238 |
| D318,567 S * | 7/1991 | Smith | | D21/713 |
| D335,956 S * | 6/1993 | Lucas | | D3/238 |
| D339,915 S * | 10/1993 | Lucas | | D21/713 |
| D346,273 S * | 4/1994 | Lucas | | D3/234 |
| D362,960 S * | 10/1995 | Stein | | D3/226 |
| D394,348 S * | 5/1998 | Aliff | | D3/234 |
| D566,386 S * | 4/2008 | Linsenman | | D3/238 |
| D571,101 S * | 6/2008 | Linsenman | | D3/238 |

1 Claim, 5 Drawing Sheets



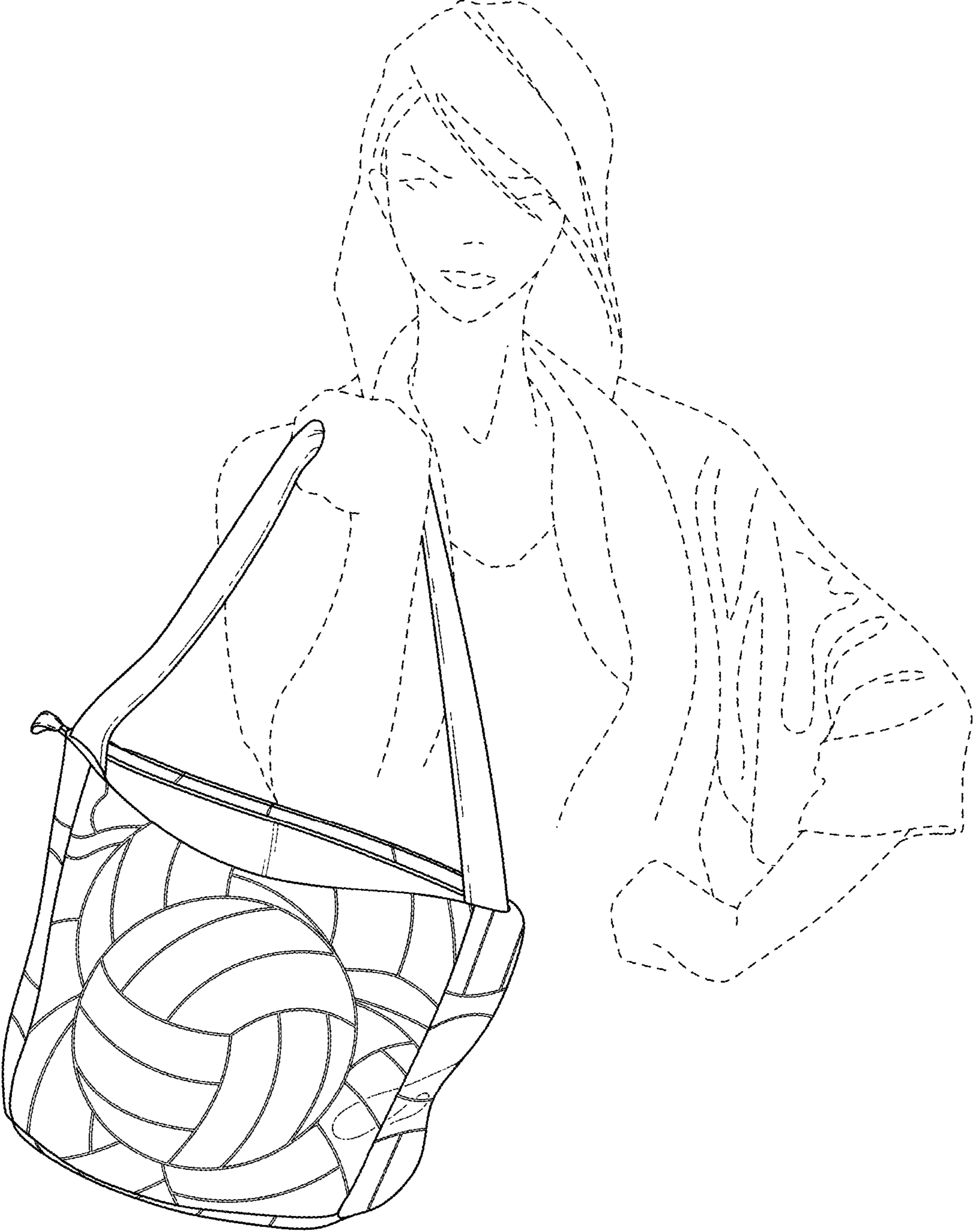


FIG. 1

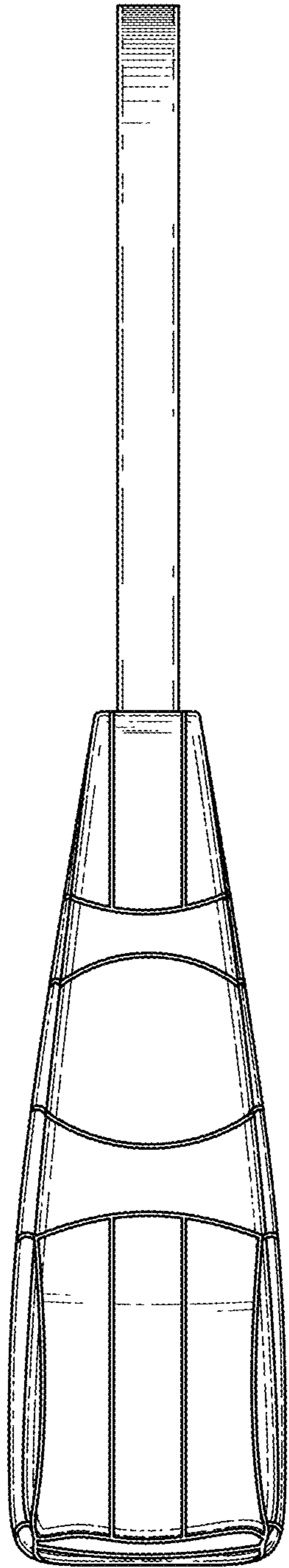


FIG. 2

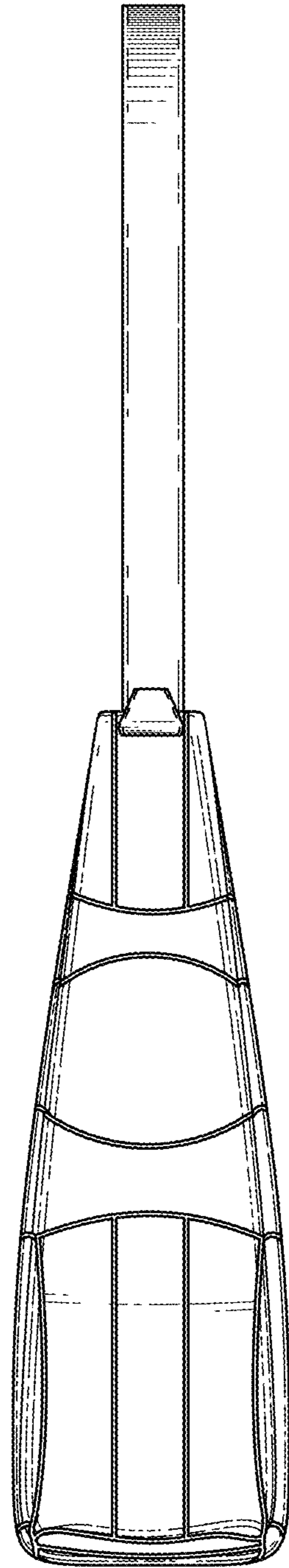


FIG. 3

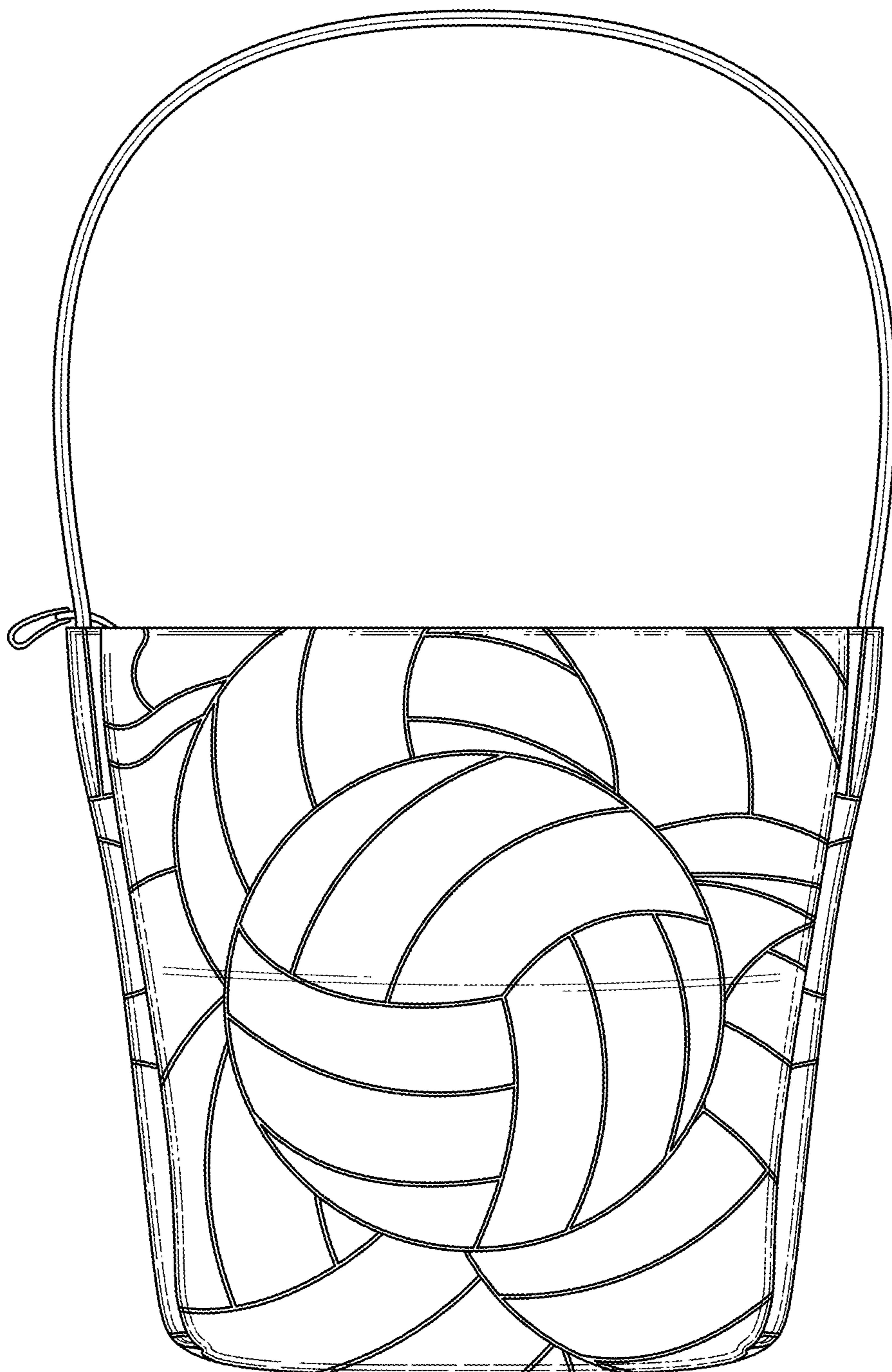


FIG. 4

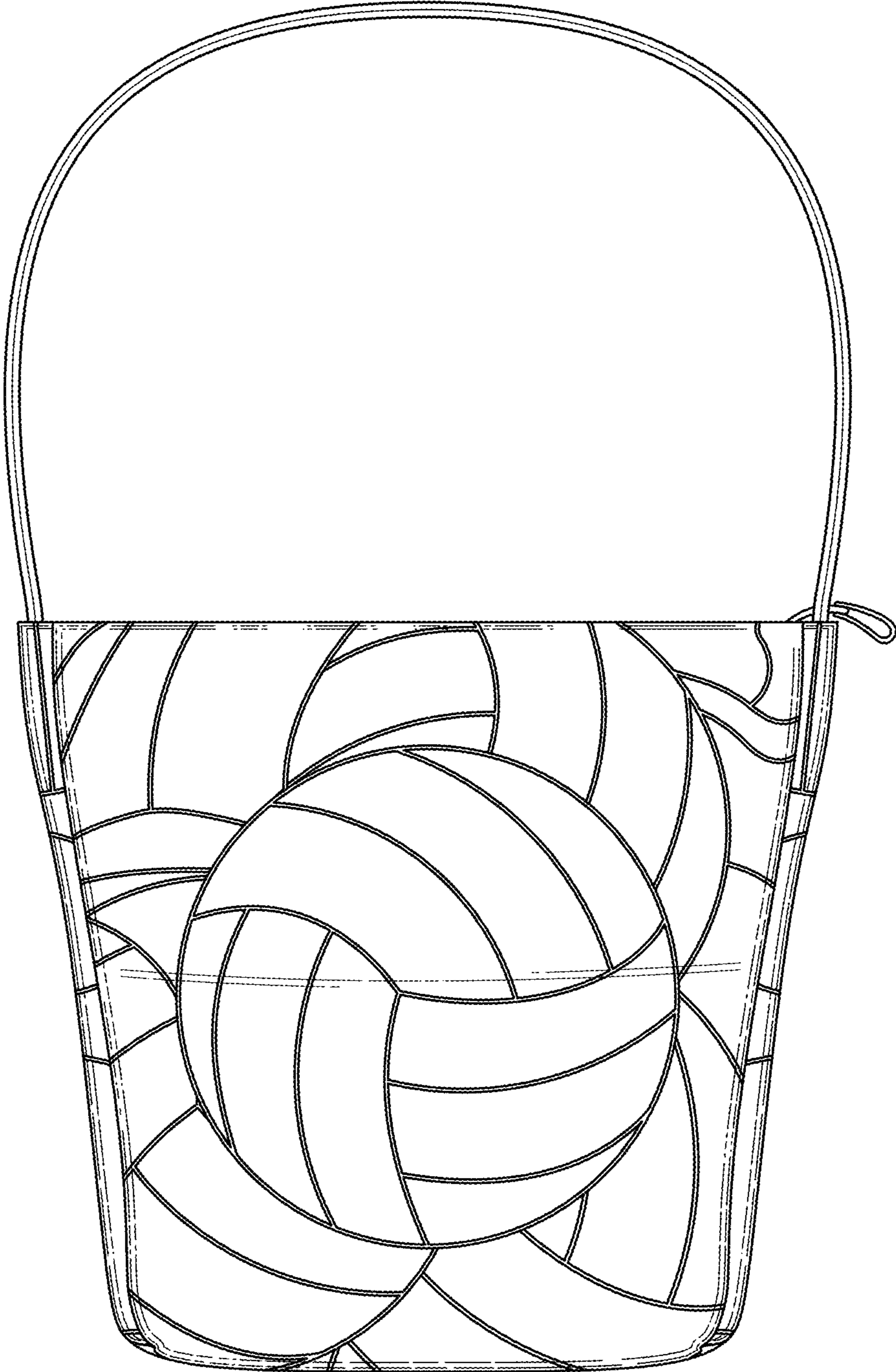


FIG. 5

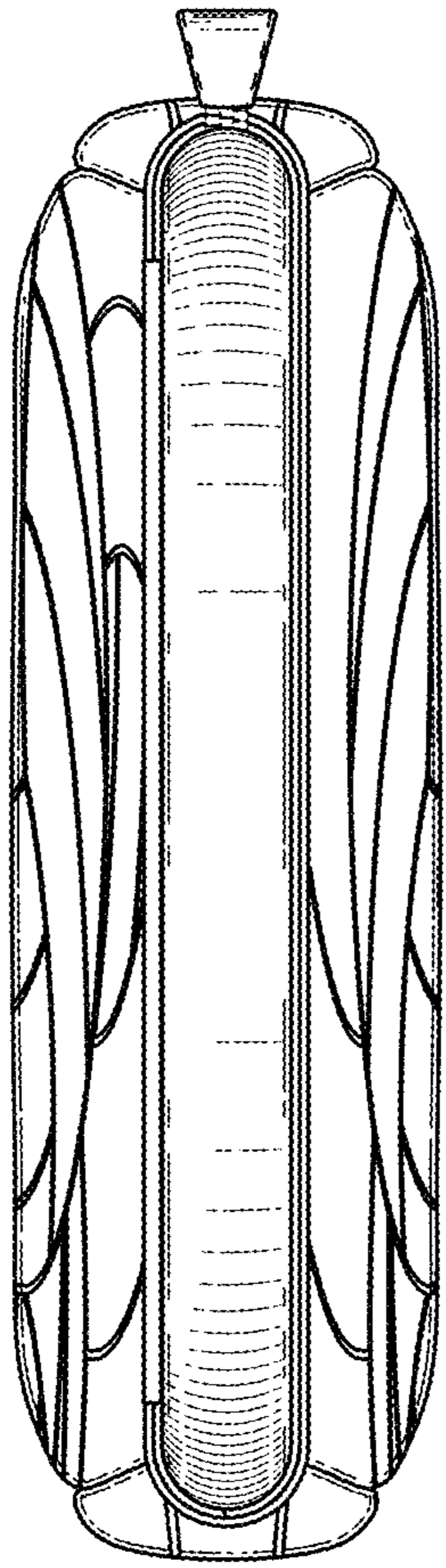


FIG. 6

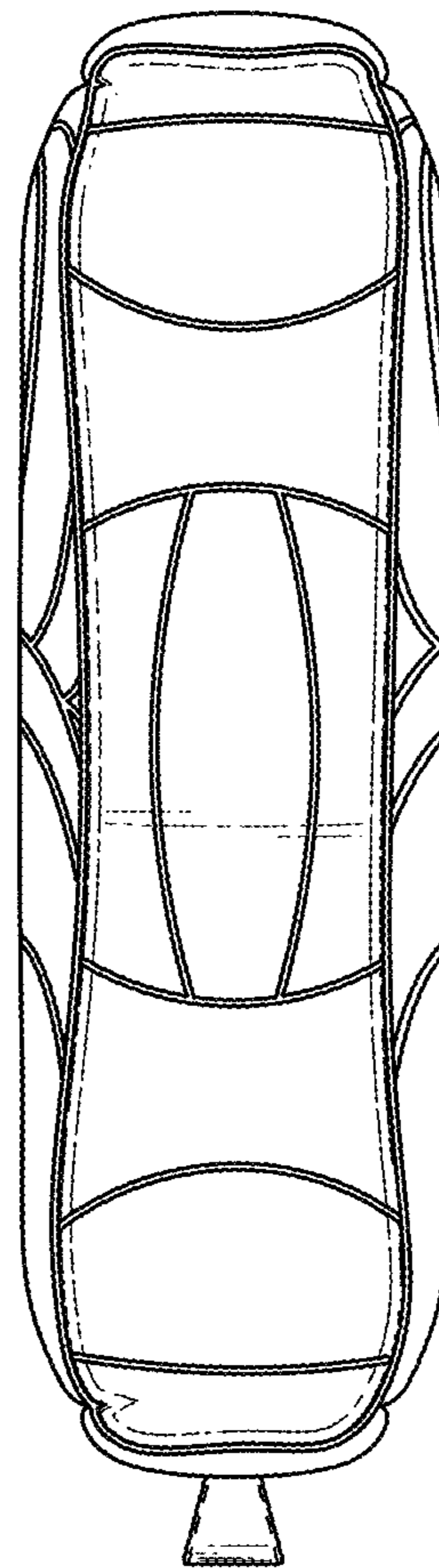


FIG. 7