



US00D773178S

(12) **United States Design Patent** (10) **Patent No.:** **US D773,178 S**
Slimane (45) **Date of Patent:** **** Dec. 6, 2016**

(54) **CLUTCH BAG**
(71) Applicant: **YVES SAINT LAURENT**, Paris (FR)
(72) Inventor: **Hedi Slimane**, City of West Hollywood, CA (US)
(73) Assignee: **YVES SAINT LAURENT**, Paris (FR)
(**) Term: **15 Years**
(21) Appl. No.: **29/546,047**
(22) Filed: **Nov. 18, 2015**
(51) **LOC (10) Cl.** **03-01**
(52) **U.S. Cl.**
USPC **D3/232**
(58) **Field of Classification Search**
USPC D3/20, 203.6, 205, 206, 208, 226,
232,D3/243, 245, 247-253, 303, 324
CPC A45C 1/06; A45C 3/08
See application file for complete search history.

D582,665 S * 12/2008 Gonzalez D3/232
D584,895 S * 1/2009 Holzner D3/247
D661,485 S * 6/2012 Lopes D3/232
D669,264 S * 10/2012 Gonzalez D3/243
D676,652 S * 2/2013 Holloway D3/232
D685,179 S * 7/2013 Hubbell D3/232
D703,433 S * 4/2014 Morszeck D3/247
D707,042 S * 6/2014 Ruzzenente D3/232
D713,640 S * 9/2014 Mayo D3/232
D723,267 S * 3/2015 Basha D3/232

* cited by examiner

Primary Examiner — Susan E Krakower
Assistant Examiner — Lisa A Grabenstetter
(74) *Attorney, Agent, or Firm* — Donald J. Ranft; Collen IP

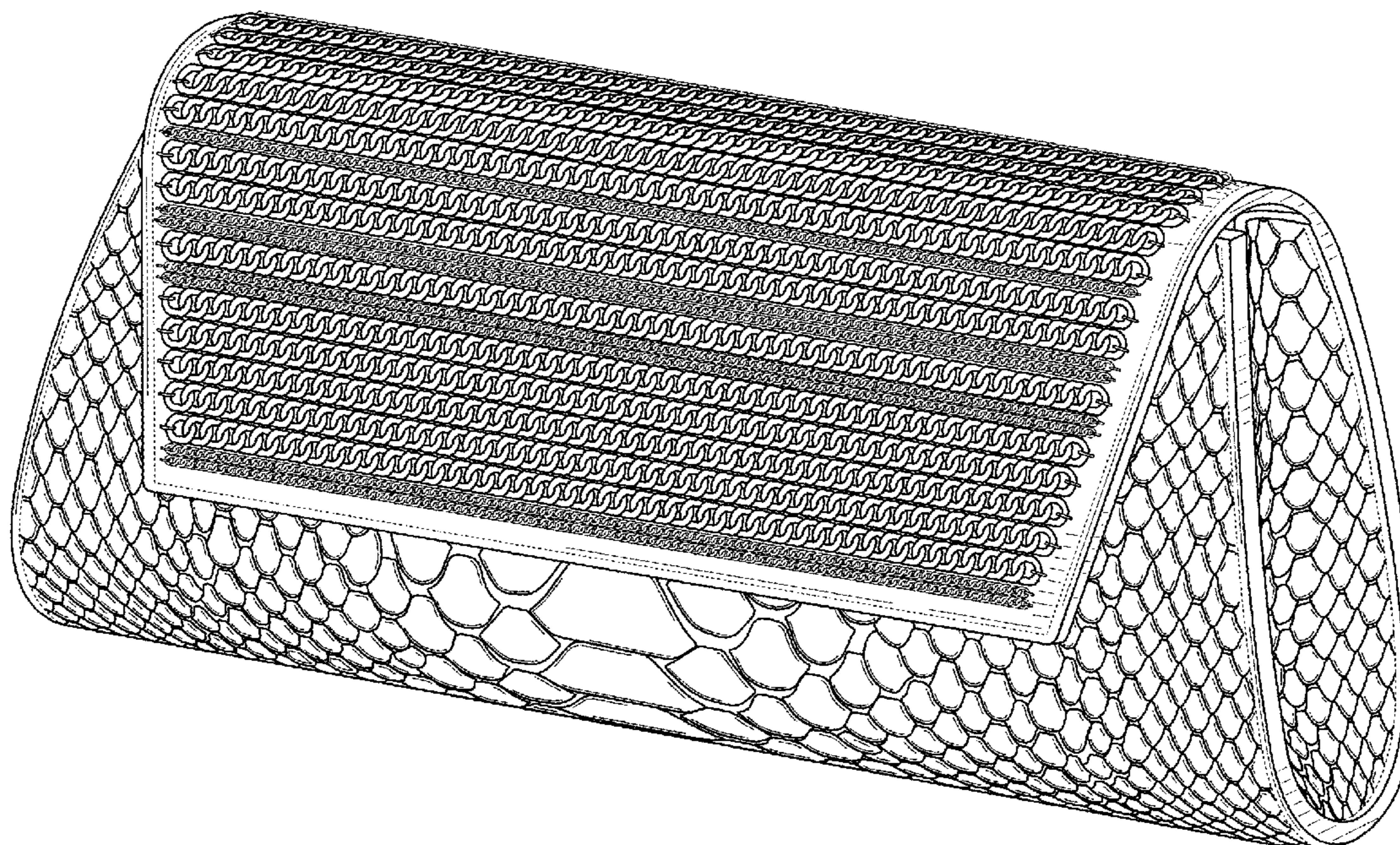
(57) **CLAIM**
The ornamental design for a clutch bag, as shown and described.

DESCRIPTION

FIG. 1 is a front right perspective view of a clutch bag showing my new design;
FIG. 2 is a front view thereof;
FIG. 3 is a rear view thereof;
FIG. 4 is a left side view thereof;
FIG. 5 is a right side view thereof;
FIG. 6 is a top view thereof;
FIG. 7 is a bottom view thereof; and,
FIG. 8 is a rear left perspective view thereof.
The portions of the clutch bag shown in broken lines represent thread stitching and forms a part of the claim.

1 Claim, 6 Drawing Sheets

(56) **References Cited**
U.S. PATENT DOCUMENTS
D37,646 S * 11/1905 Grossman D3/243
D105,021 S * 6/1937 Landis D3/243
D137,864 S * 5/1944 Jolles 150/118
D152,120 S * 12/1948 Murphy D3/243
D360,751 S * 8/1995 Nash D3/233
D439,040 S * 3/2001 Vazquez D3/233
D528,295 S * 9/2006 Harvey D3/252
D578,304 S * 10/2008 Gonzalez D3/243
D582,156 S * 12/2008 Gonzalez D3/245



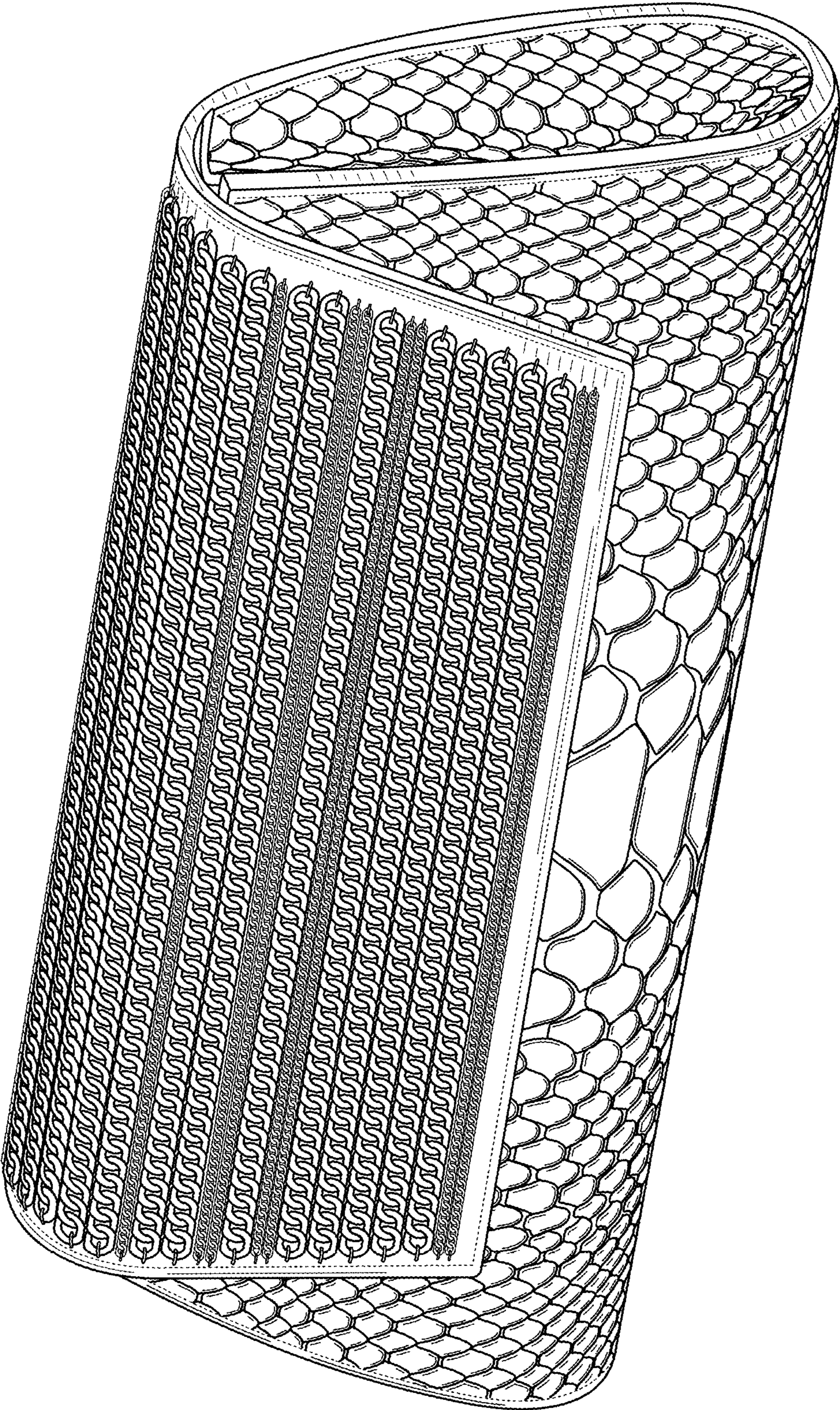


FIG. 1

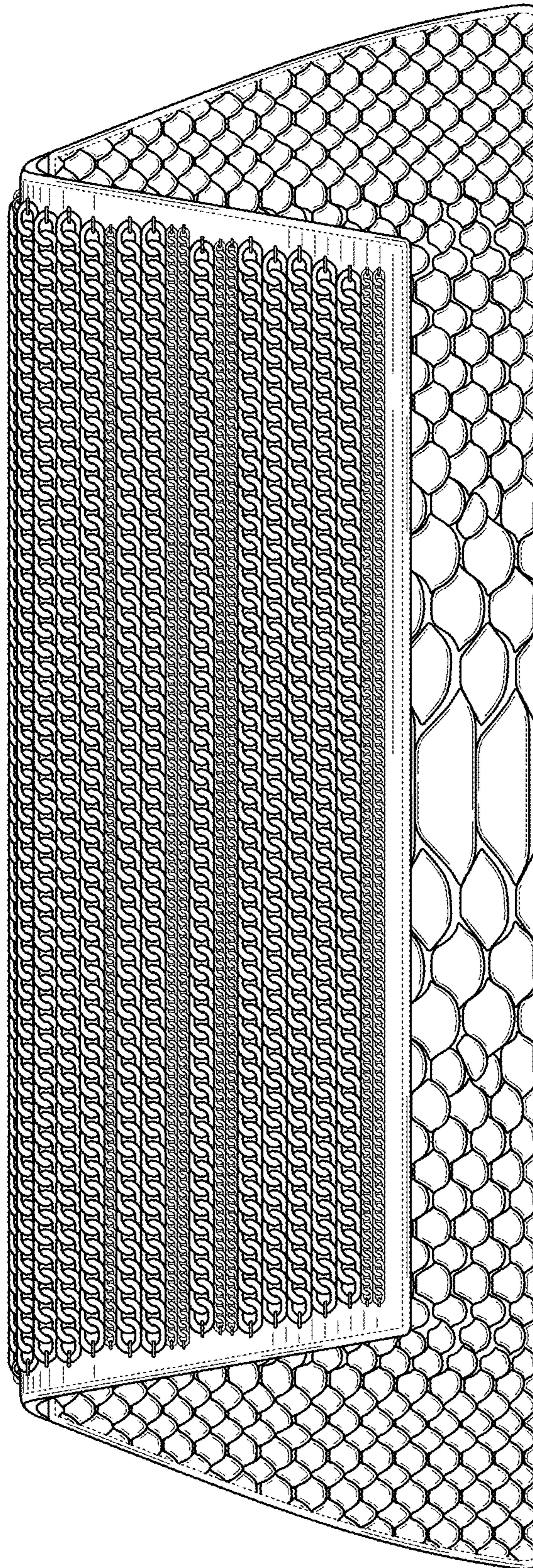


FIG. 2

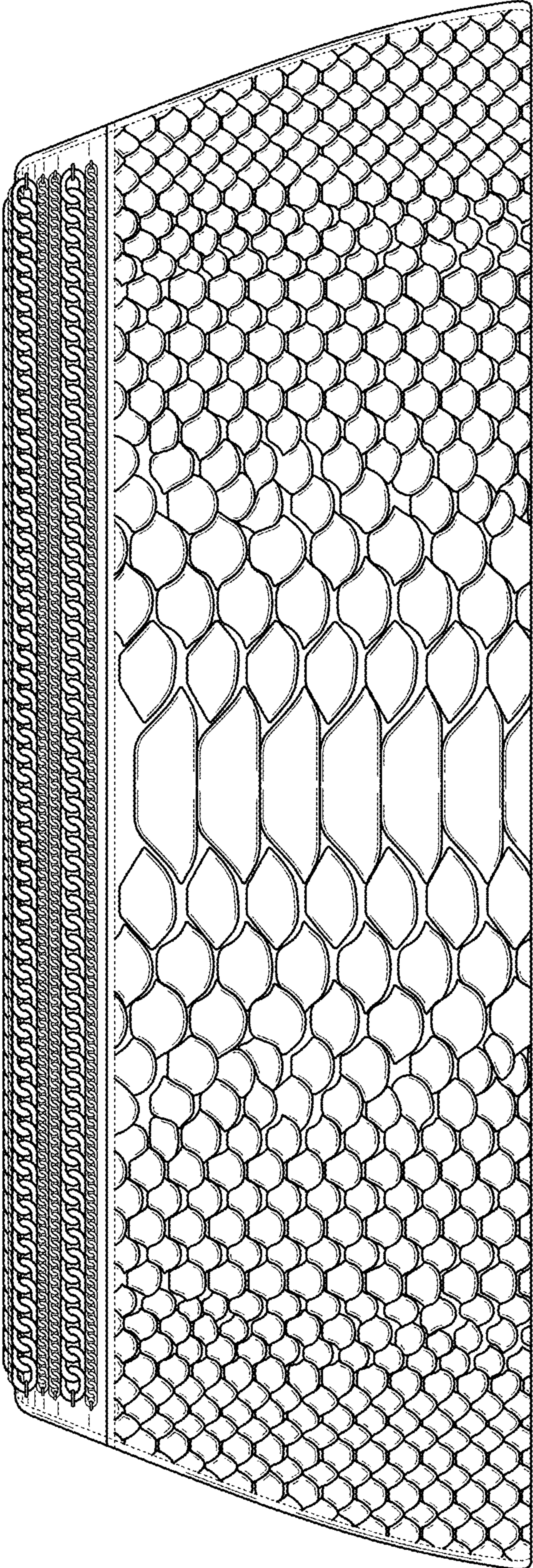


FIG. 3

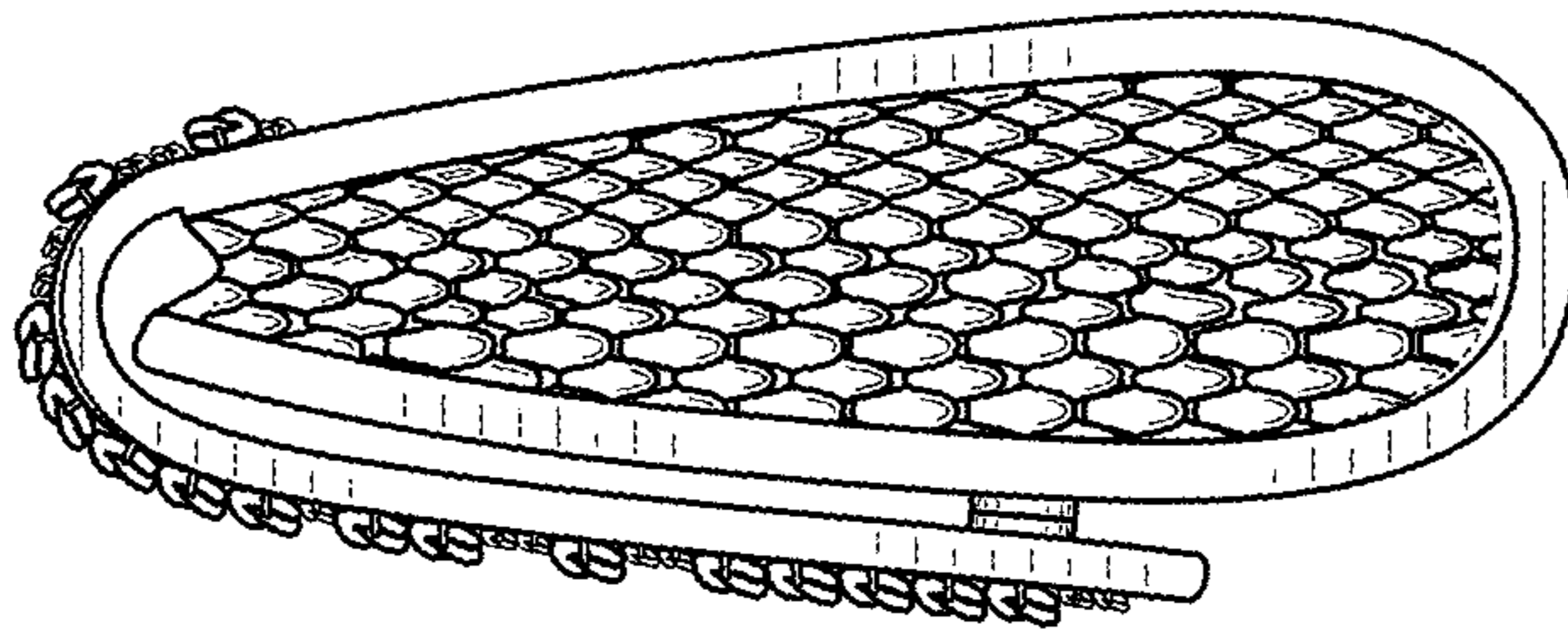


FIG. 5

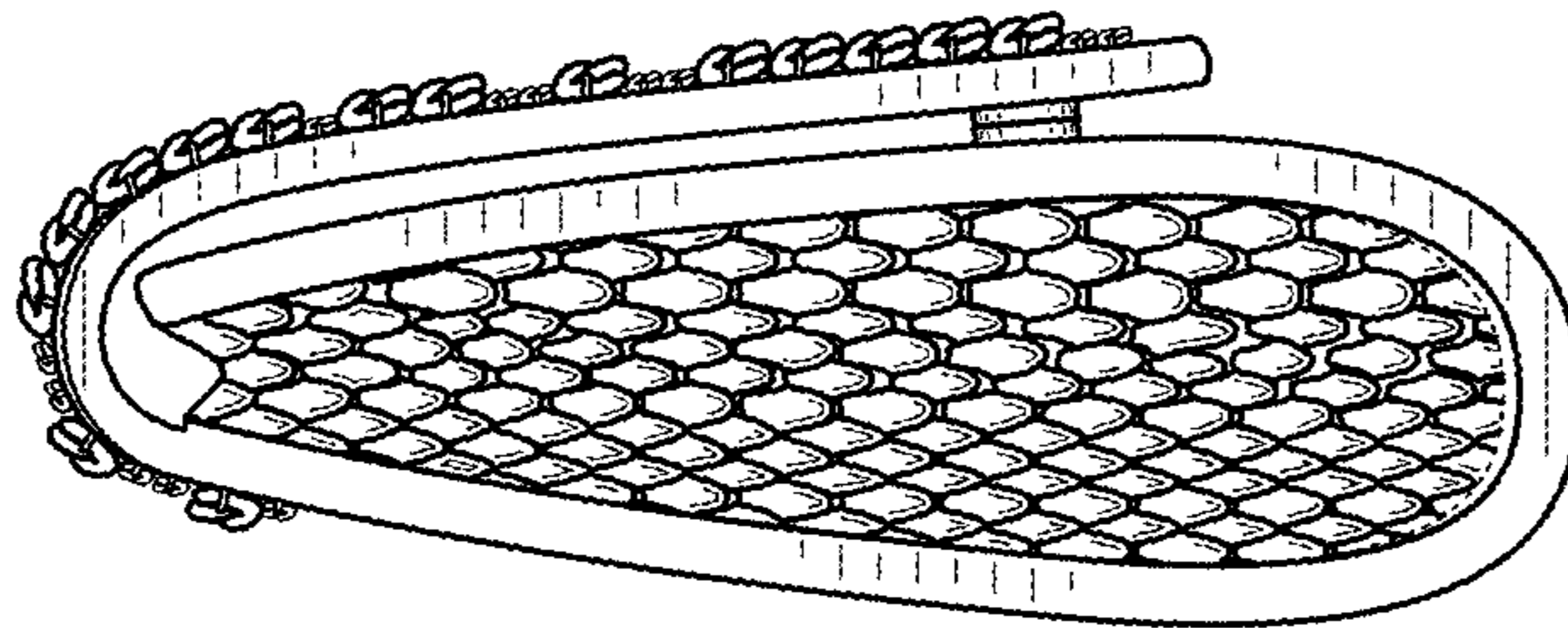


FIG. 4

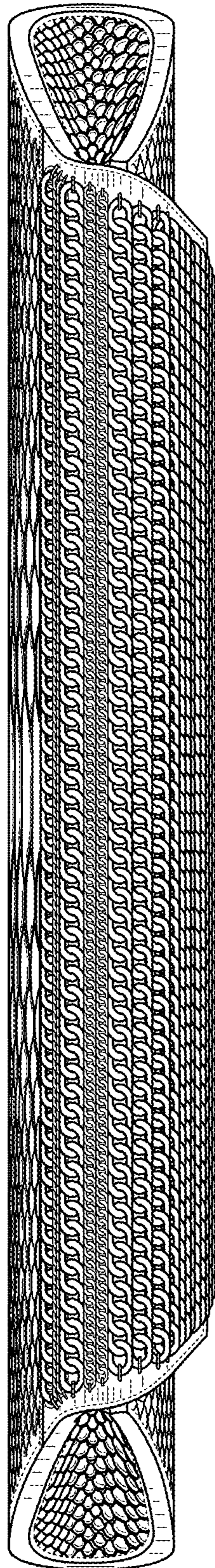


FIG. 6

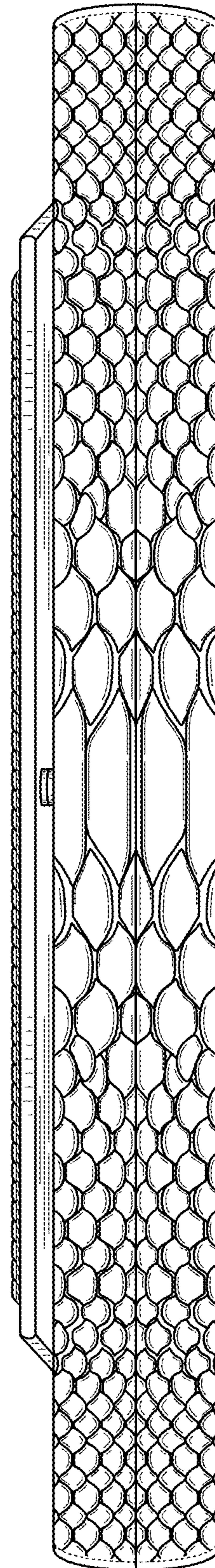


FIG. 7

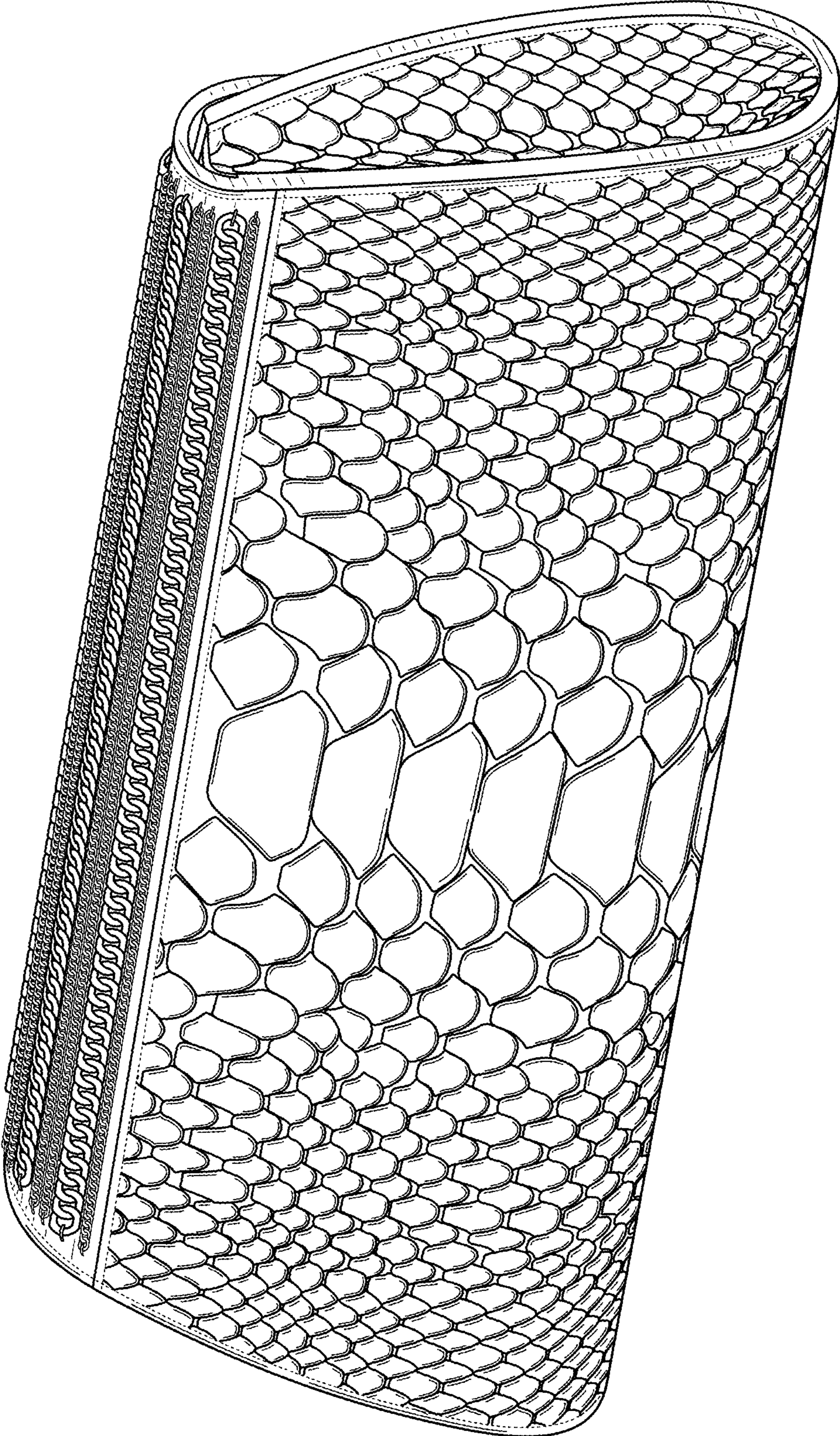


FIG. 8