



US00D773176S

(12) **United States Design Patent** (10) **Patent No.:** **US D773,176 S**  
**Boyd et al.** (45) **Date of Patent:** **\*\* Dec. 6, 2016**

(54) **CASE WITH A CLIP**

(71) Applicant: **Nite Ize, Inc.**, Boulder, CO (US)  
(72) Inventors: **Michael C. Boyd**, Boulder, CO (US);  
**Bowden Ormsbee**, Longmont, CO (US)  
(73) Assignee: **Nite Iza, Inc.**, Boulder, CO (US)

(\*\*) Term: **15 Years**

(21) Appl. No.: **29/535,074**

(22) Filed: **Aug. 3, 2015**

(51) **LOC (10) Cl.** ..... **03-01**

(52) **U.S. Cl.**  
USPC ..... **D3/218**

(58) **Field of Classification Search**  
USPC ..... D3/218-219, 215, 201, 224, 226, 228,  
D3/269, 299, 301, 303; 224/578, 674,  
224/676-683, 901, 904, 240, 930, 600,  
224/605, 625; 455/575.1-575.8;  
D14/0.253, 248, 250-251; 379/455  
CPC ..... A45F 5/00; A45F 5/02; A45F 5/021;  
A45F 2200/05; A45F 2200/0508; A45F  
2200/0516; A45F 2200/0525; A45F 3/02;  
A45F 3/14

See application file for complete search history.

(56) **References Cited**

U.S. PATENT DOCUMENTS

D594,226 S *	6/2009	Hofer .....	D3/218
D620,704 S *	8/2010	Fahrendorff .....	D3/218
D657,135 S *	4/2012	Fahrendorff .....	D3/218
D659,383 S *	5/2012	Phillips .....	D3/218
D757,424 S *	5/2016	Phillips .....	D3/218

\* cited by examiner

*Primary Examiner* — Catheri Oliver-Garcia

(74) *Attorney, Agent, or Firm* — Haynes and Boone, LLP

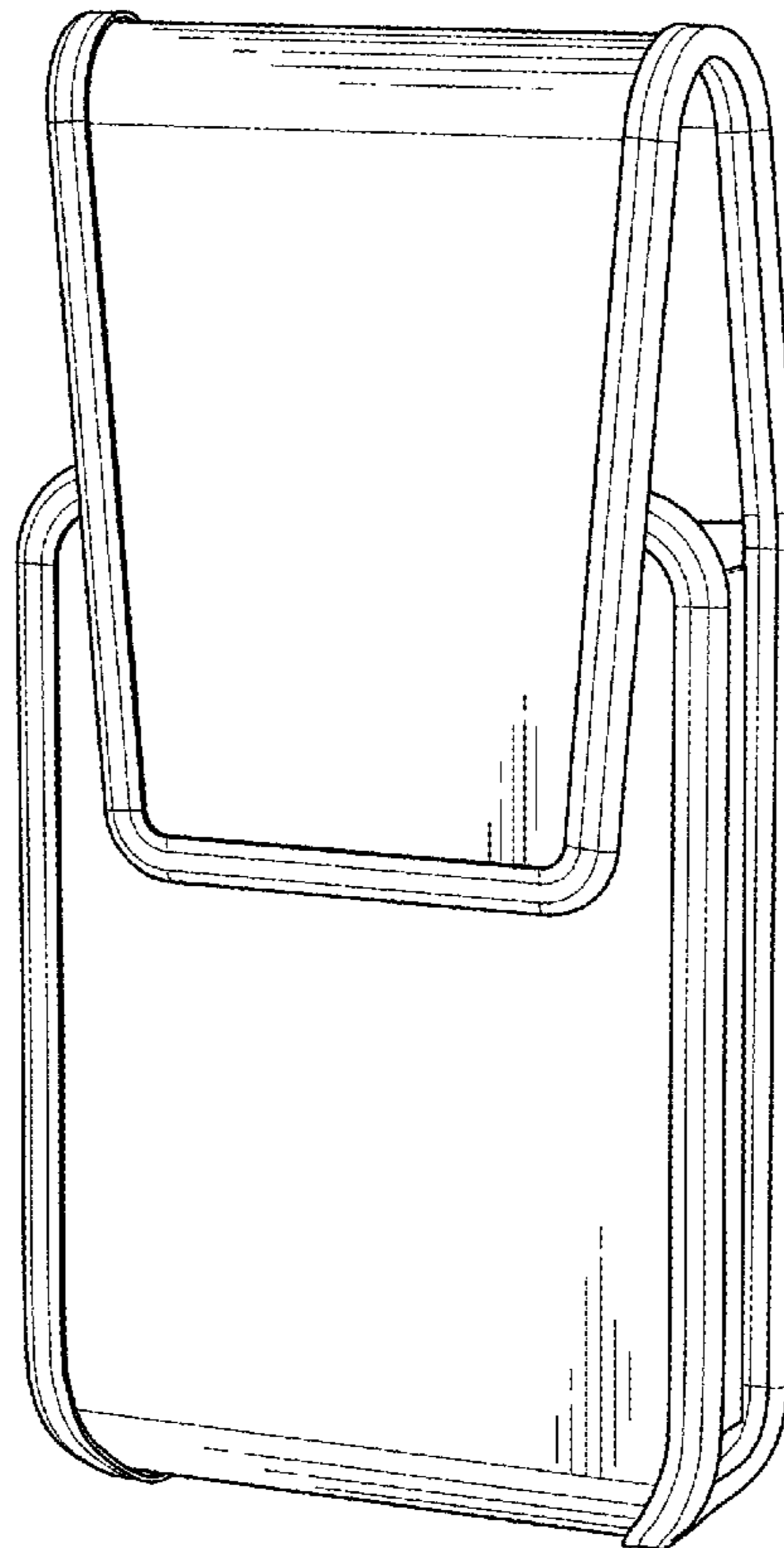
(57) **CLAIM**

The ornamental design for a case with a clip, as shown and described.

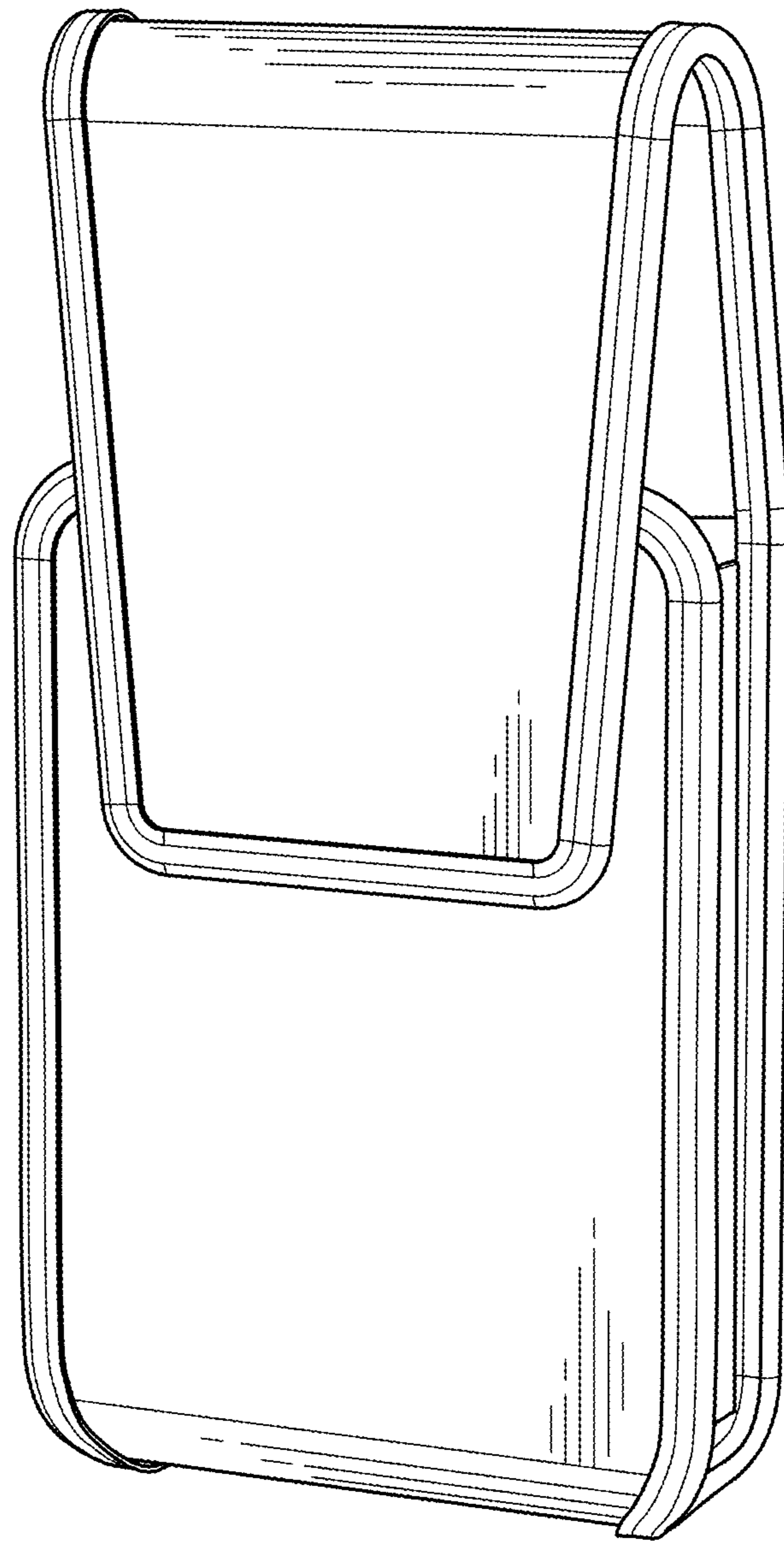
**DESCRIPTION**

FIG. 1 is a front perspective view of the case with a clip;  
FIG. 2 is a rear perspective view of the case with a clip of  
FIG. 1;  
FIG. 3 is a front view of the case with a clip of FIG. 1;  
FIG. 4 is a rear view of the case with a clip of FIG. 1;  
FIG. 5 is a top view of the case with a clip of FIG. 1;  
FIG. 6 is a bottom view of the case with a clip of FIG. 1;  
FIG. 7 is a right side view of the case with a clip of FIG. 1;  
and,  
FIG. 8 is a left side view of the case with a clip of FIG. 1.

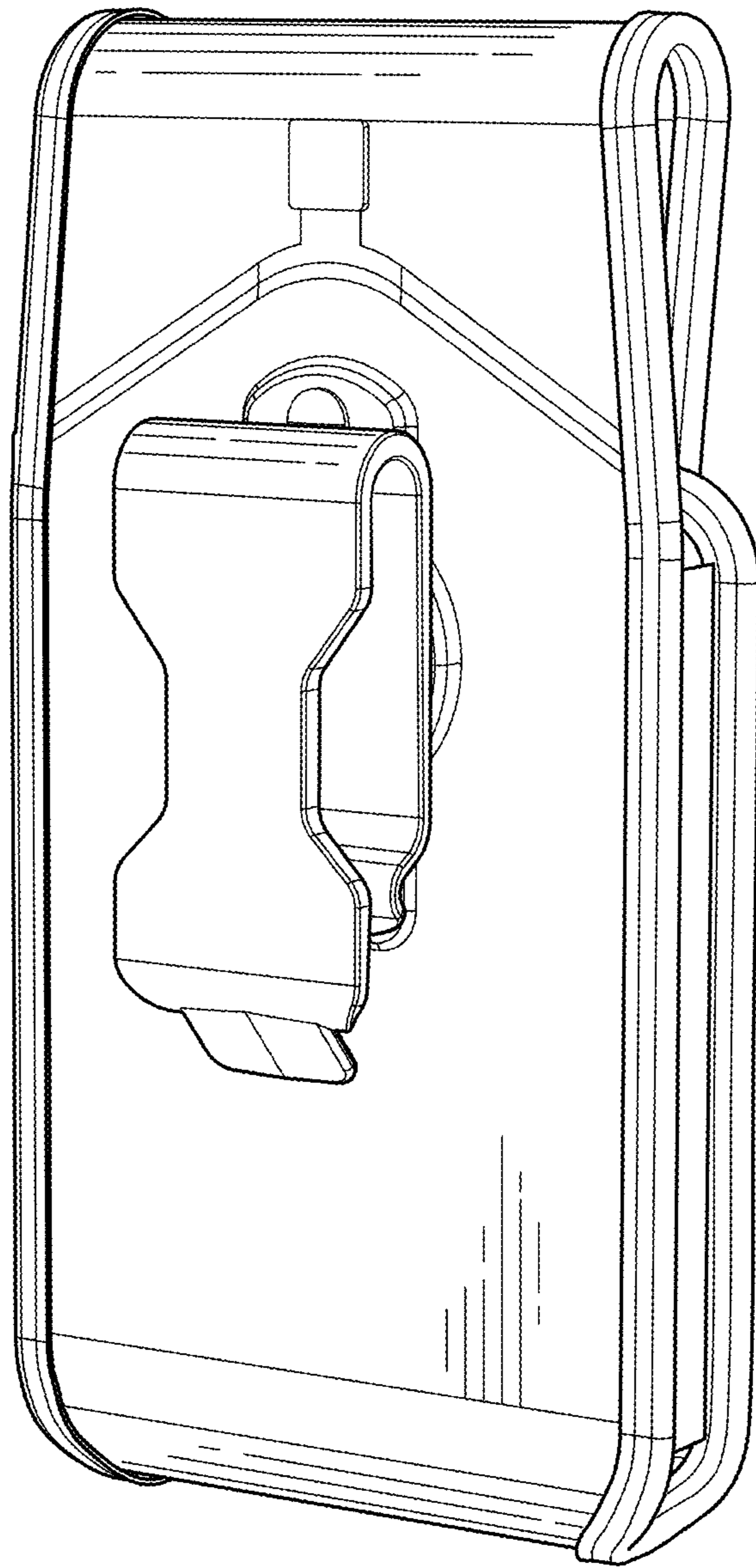
**1 Claim, 6 Drawing Sheets**



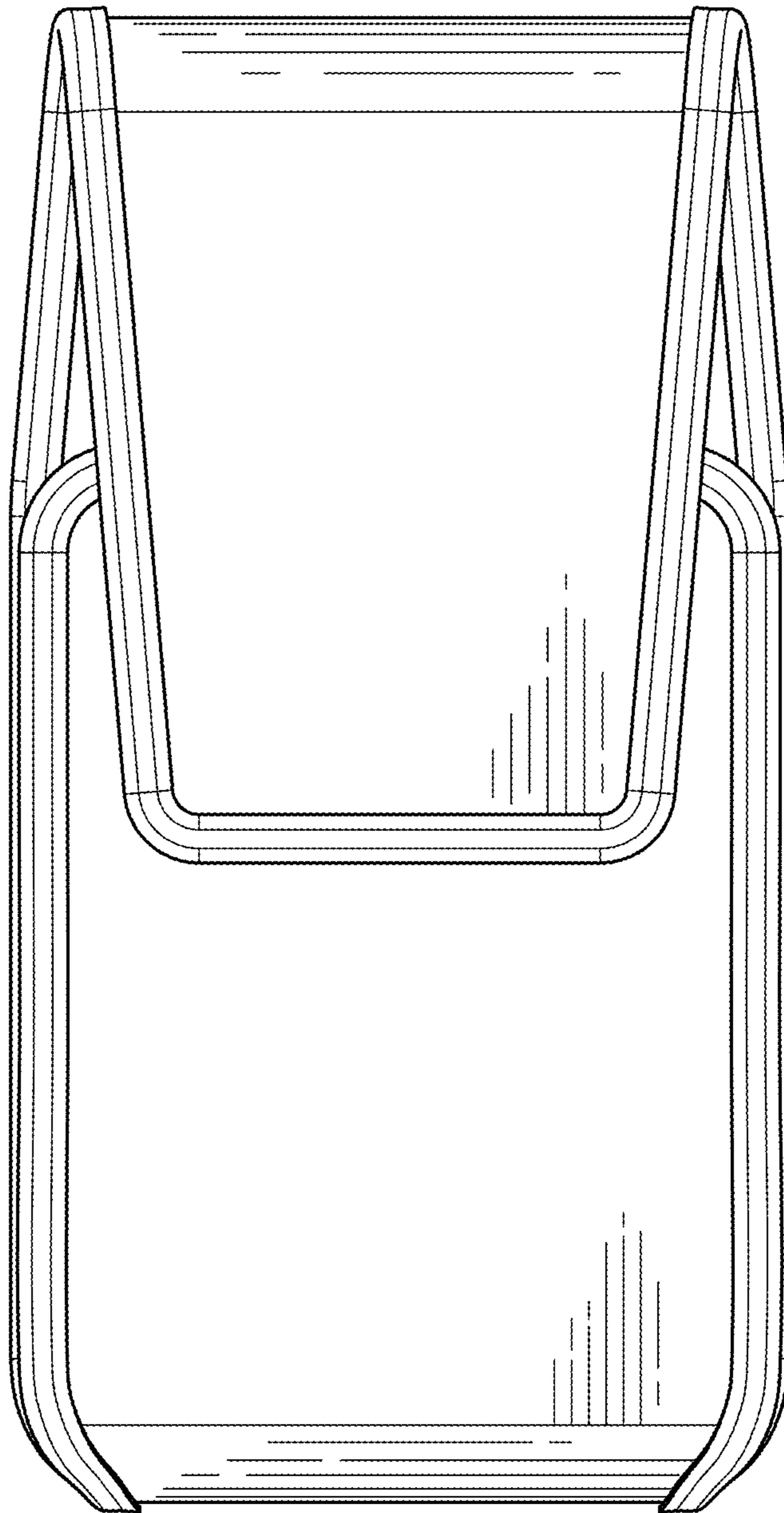
**FIG. 1**



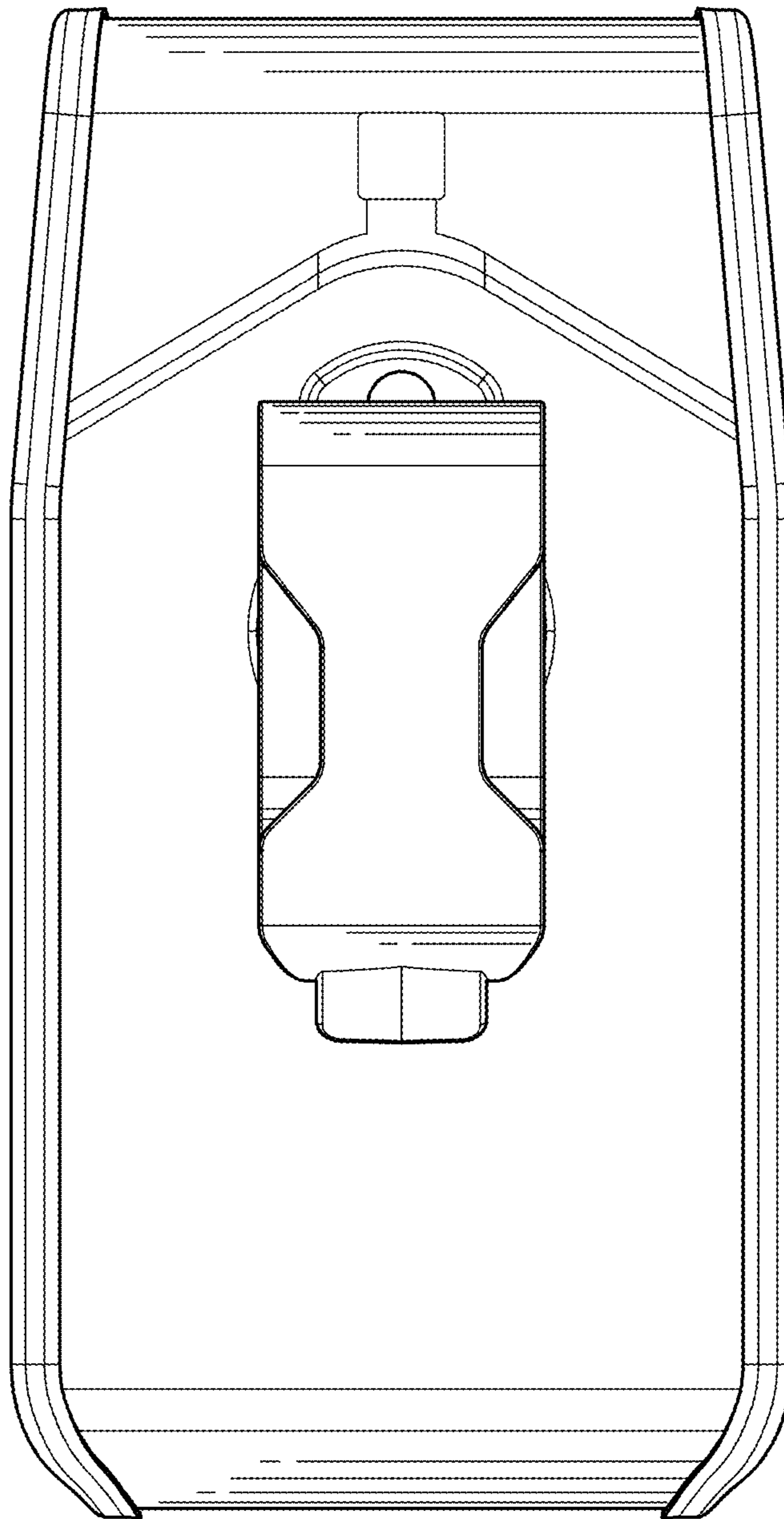
**FIG. 2**



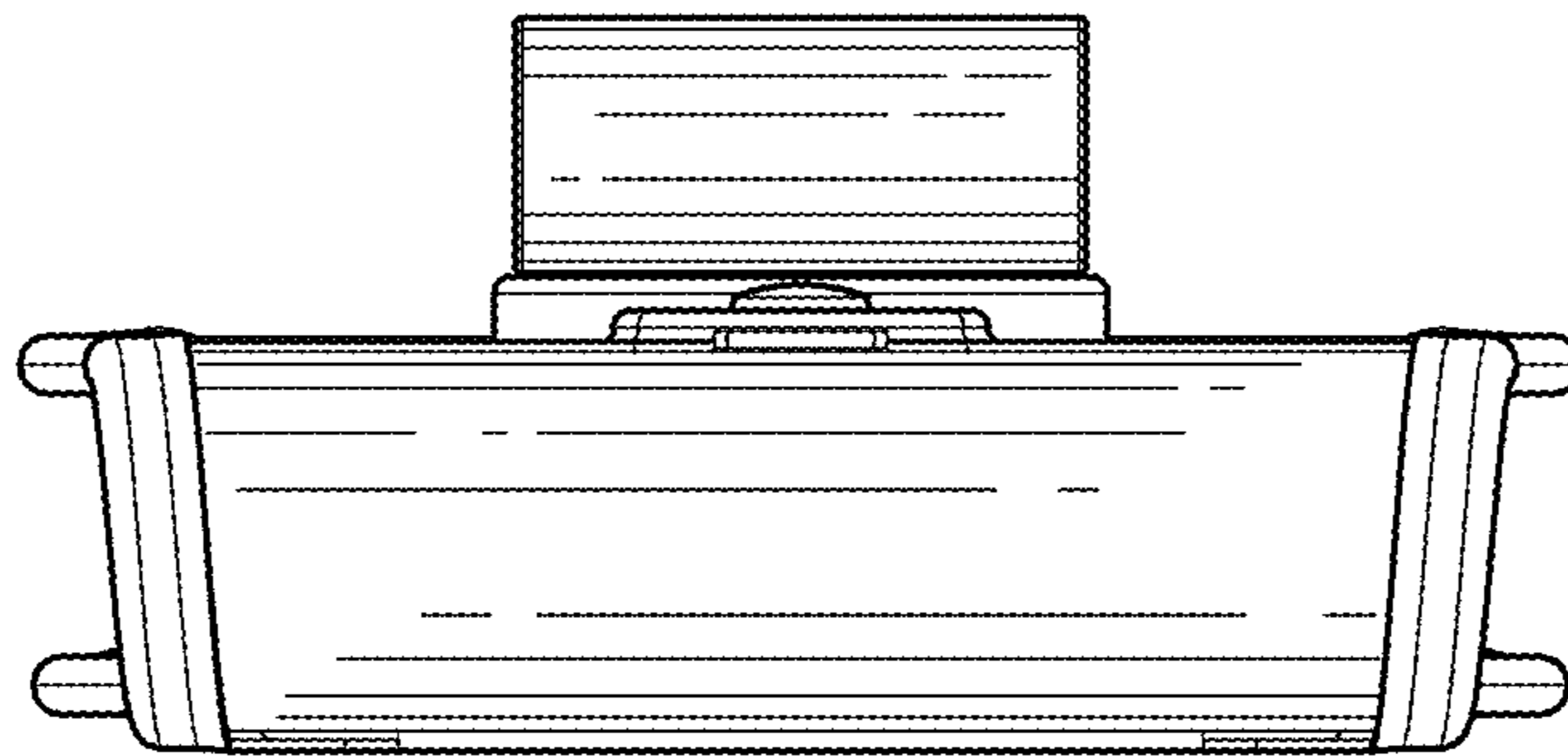
**FIG. 3**



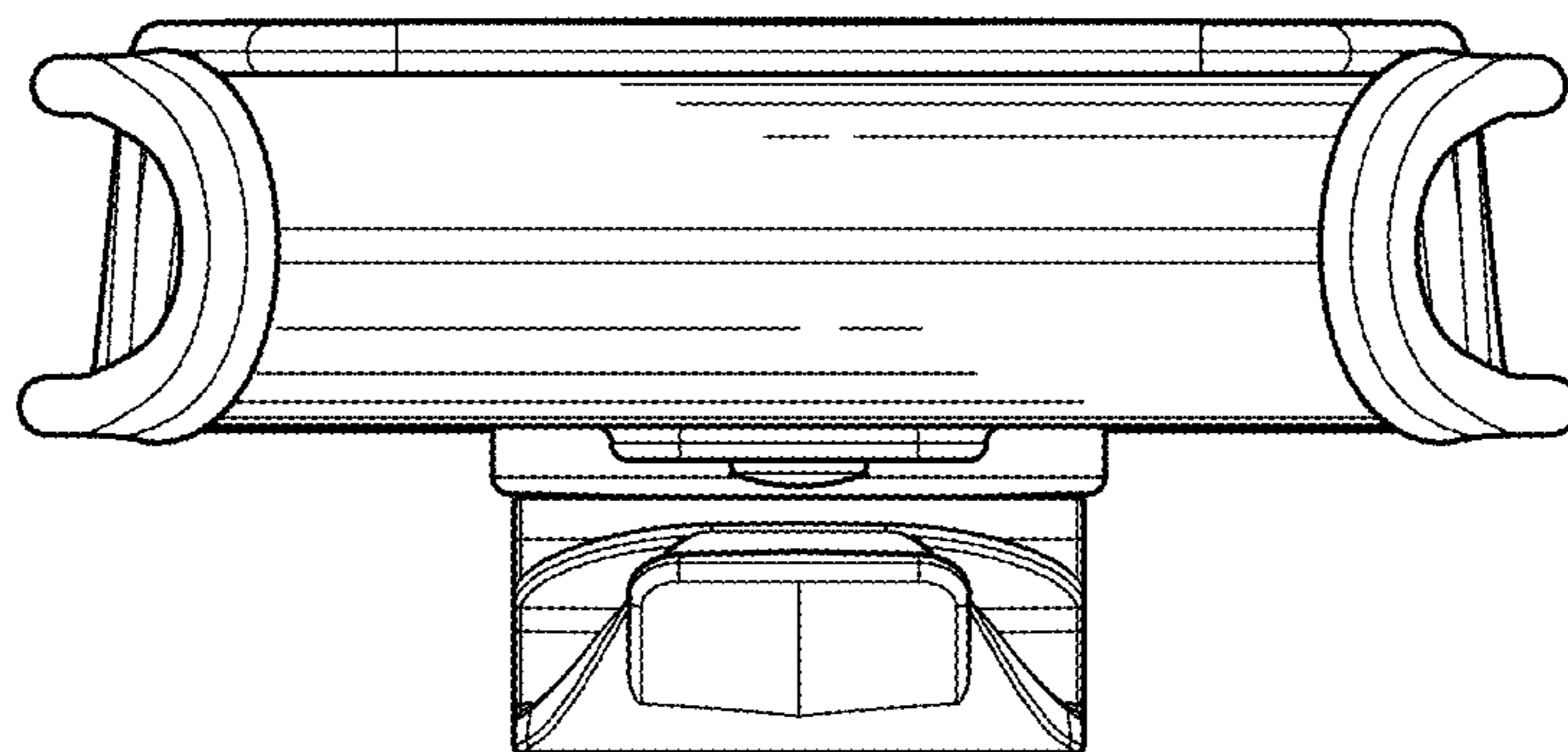
**FIG. 4**



**FIG. 5**

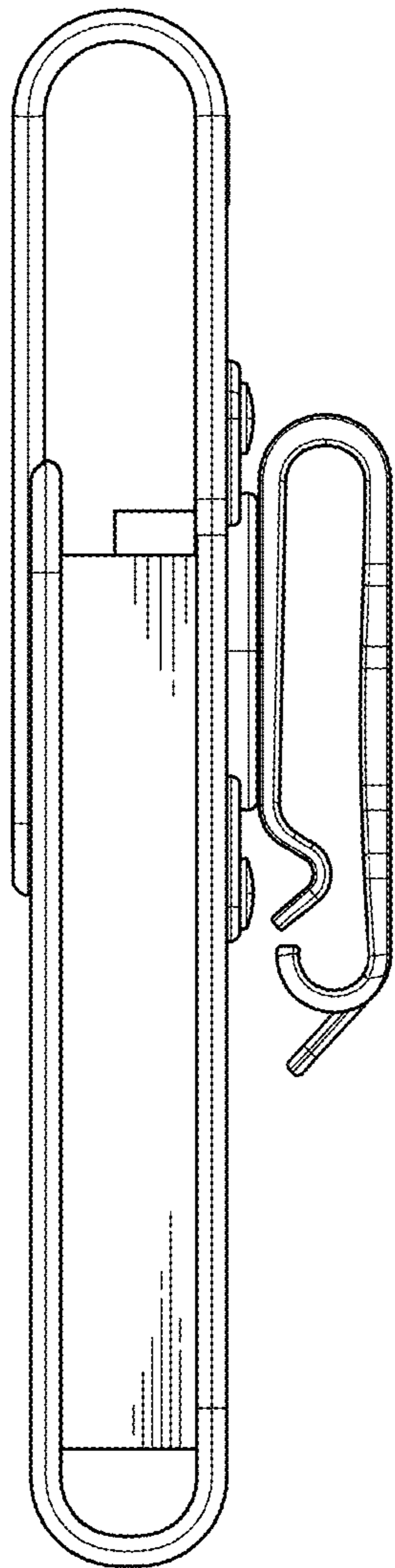


**FIG. 6**





**FIG. 7**



**FIG. 8**

