



US00D773174S

(12) **United States Design Patent** (10) **Patent No.:** **US D773,174 S**
Okuma (45) **Date of Patent:** **** Dec. 6, 2016**

- (54) **OVAL KNITTING LOOM** 3,959,535 A * 5/1976 Stewart D04B 3/00
 428/102
 (71) Applicant: **CLOVER MFG. CO., LTD.,** 4,023,245 A * 5/1977 Zaltzman D03D 29/00
 Osaka-shi, Osaka (JP) 28/152
 (72) Inventor: **Atsuko Okuma,** Osaka (JP) D280,149 S * 8/1985 De Giacomo D3/26
 D293,976 S * 2/1988 Dutton D3/26
 4,827,638 A * 5/1989 Peters D05C 1/04
 108/94
 (73) Assignee: **CLOVER MFG. CO., LTD.,** Osaka D307,819 S * 5/1990 Peters D15/66
 (JP) D310,672 S * 9/1990 Harvey D15/66
 D357,799 S * 5/1995 Wilkerson D3/26
 D371,234 S * 7/1996 Hyche D3/26
 D400,004 S * 10/1998 Hyche D3/26
 D563,997 S * 3/2008 Gustin D15/78
 (**) Term: **15 Years** 7,415,785 B1 * 8/2008 Morgan D05C 1/04
 38/102.2
 (21) Appl. No.: **29/544,707**

(22) Filed: **Nov. 5, 2015**

- (30) **Foreign Application Priority Data**
 May 18, 2015 (JP) 2015-010770
 (51) **LOC (10) Cl.** **02-07**
 (52) **U.S. Cl.**
 USPC **D3/26**
 (58) **Field of Classification Search**
 USPC D3/18, 20, 23, 26; D15/66; 28/151,
 28/152; 38/102.2; 66/1 A, 4
 CPC D05C 1/04; D03D 29/00; D04B 3/00;
 D04B 5/00; D04B 39/00
 See application file for complete search history.

- (56) **References Cited**
 U.S. PATENT DOCUMENTS
 1,318,604 A * 10/1919 Schneider et al. D04B 39/00
 66/4
 2,108,424 A * 2/1938 Bakely D04D 11/00
 28/150
 2,118,142 A * 5/1938 Belash D03D 29/00
 28/152
 2,153,764 A * 4/1939 Lewis D03D 29/00
 28/152
 2,360,416 A * 10/1944 Gray D03D 29/00
 28/150
 2,663,066 A * 12/1953 Berger D03D 29/00
 28/152
 D207,698 S * 5/1967 Silvia 242/127

(Continued)

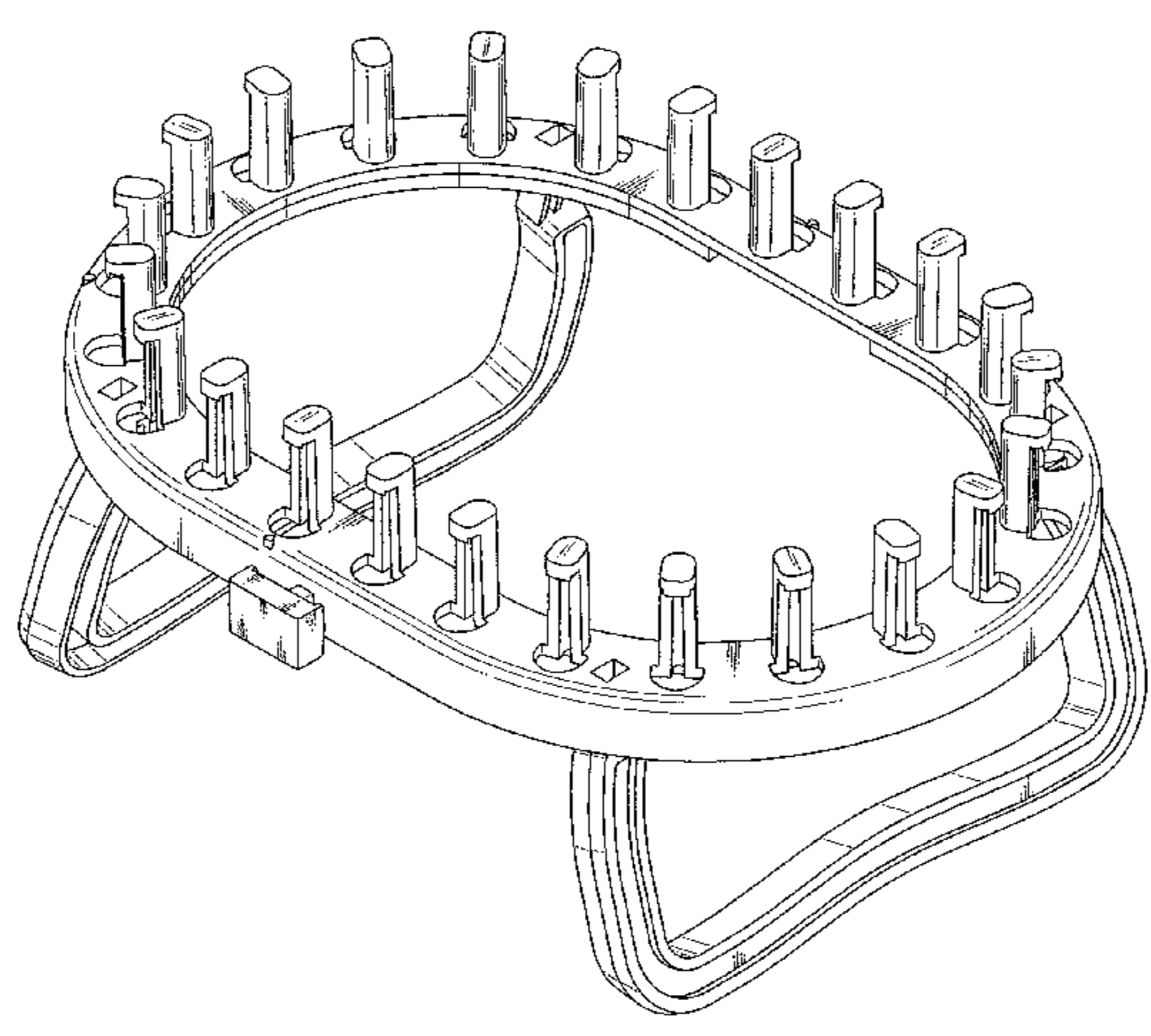
Primary Examiner — John Windmuller
Assistant Examiner — Steven Czyz
 (74) *Attorney, Agent, or Firm* — Hamre, Schumann,
 Mueller & Larson, P.C.

(57) **CLAIM**
 I claim the ornamental design for an oval knitting loom, as
 shown and described.

DESCRIPTION

FIG. 1 is a perspective view of an oval knitting loom, shown
 with a pair of legs deployed from the oval frame;
 FIG. 2 is a front view thereof;
 FIG. 3 is a rear view thereof;
 FIG. 4 is a left side view thereof;
 FIG. 5 is a right side view thereof;
 FIG. 6 is a top view thereof;
 FIG. 7 is a bottom view thereof;
 FIG. 8 is a perspective view of the oval knitting loom, shown
 with the pair of legs folded onto the oval frame;
 FIG. 9 is a front view thereof;
 FIG. 10 is a rear view thereof;
 FIG. 11 is a left side view thereof;
 FIG. 12 is a right side view thereof;
 FIG. 13 is a top view thereof;
 FIG. 14 is a bottom view thereof; and,
 FIG. 15 is a cross-sectional view thereof, taken along line
 15-15 in FIG. 13.

1 Claim, 11 Drawing Sheets



(56)

References Cited

U.S. PATENT DOCUMENTS

8,596,096 B1 * 12/2013 Russell D04B 3/00
66/4
D721,744 S * 1/2015 Daftari D15/66
D732,582 S * 6/2015 Verona D15/66
D737,340 S * 8/2015 Shirai D15/66
D737,341 S * 8/2015 Shirai D15/66
D745,066 S * 12/2015 Ng D15/78
9,234,306 B1 * 1/2016 Chang D04B 5/00

D751,124 S * 3/2016 Miller D15/66
2007/0270010 A1 * 11/2007 Walter D03D 29/00
439/259
2008/0156043 A1 * 7/2008 Gustin D04B 5/00
66/4
2009/0293982 A1 * 12/2009 Skaflestad D03D 29/00
139/34
2012/0047960 A1 * 3/2012 Sasur D04B 5/00
66/1 A
2016/0032500 A1 * 2/2016 Novak D03D 29/00
28/152

* cited by examiner

Fig. 1

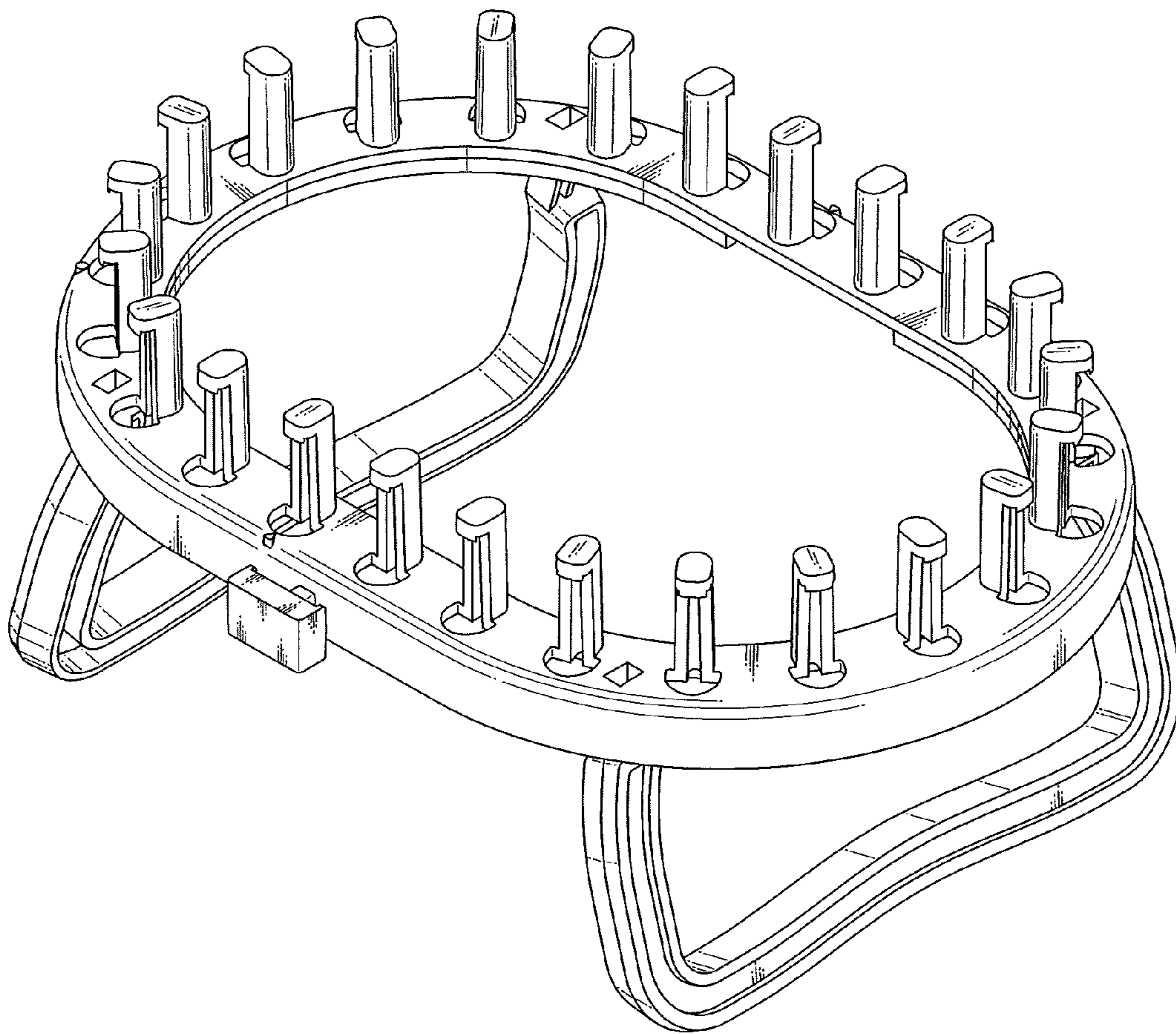


Fig. 2

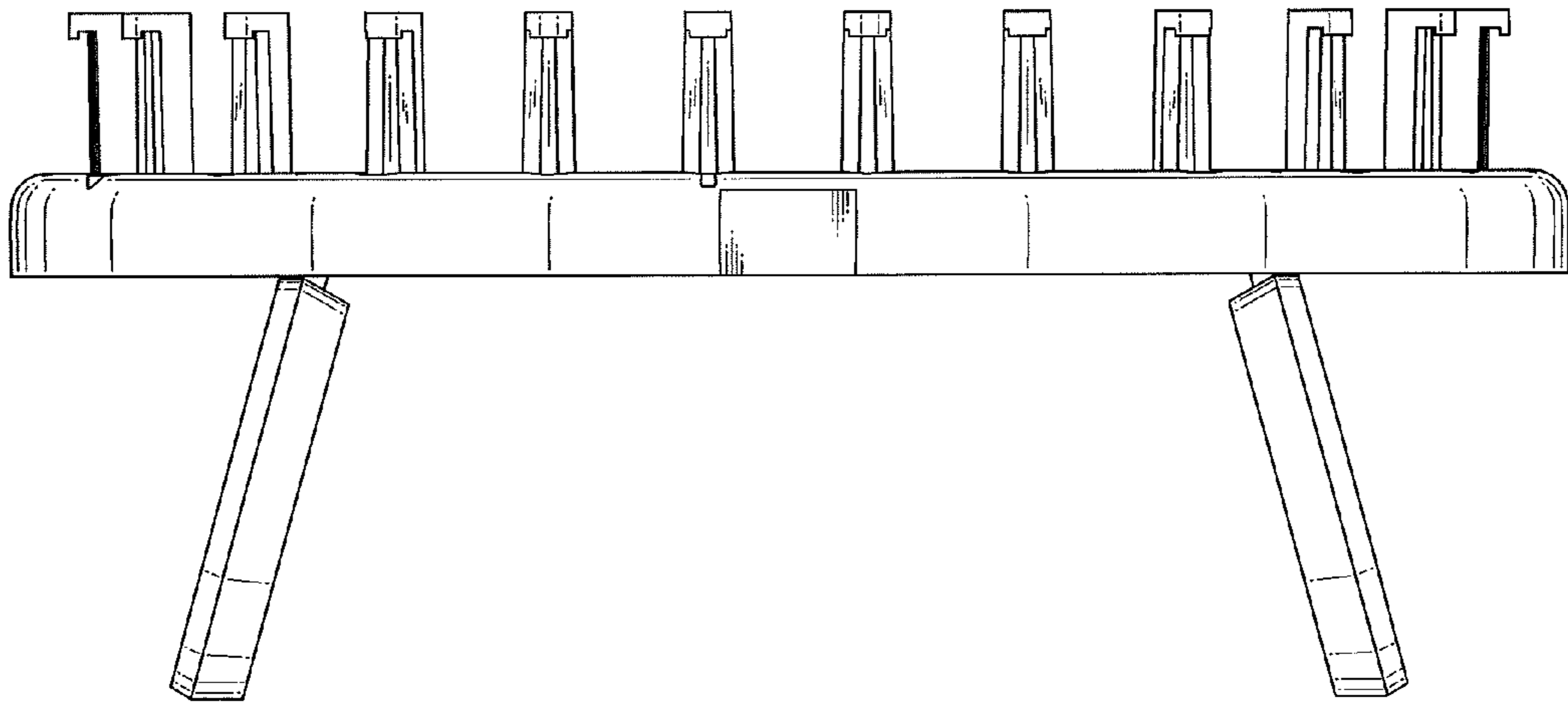


Fig. 3

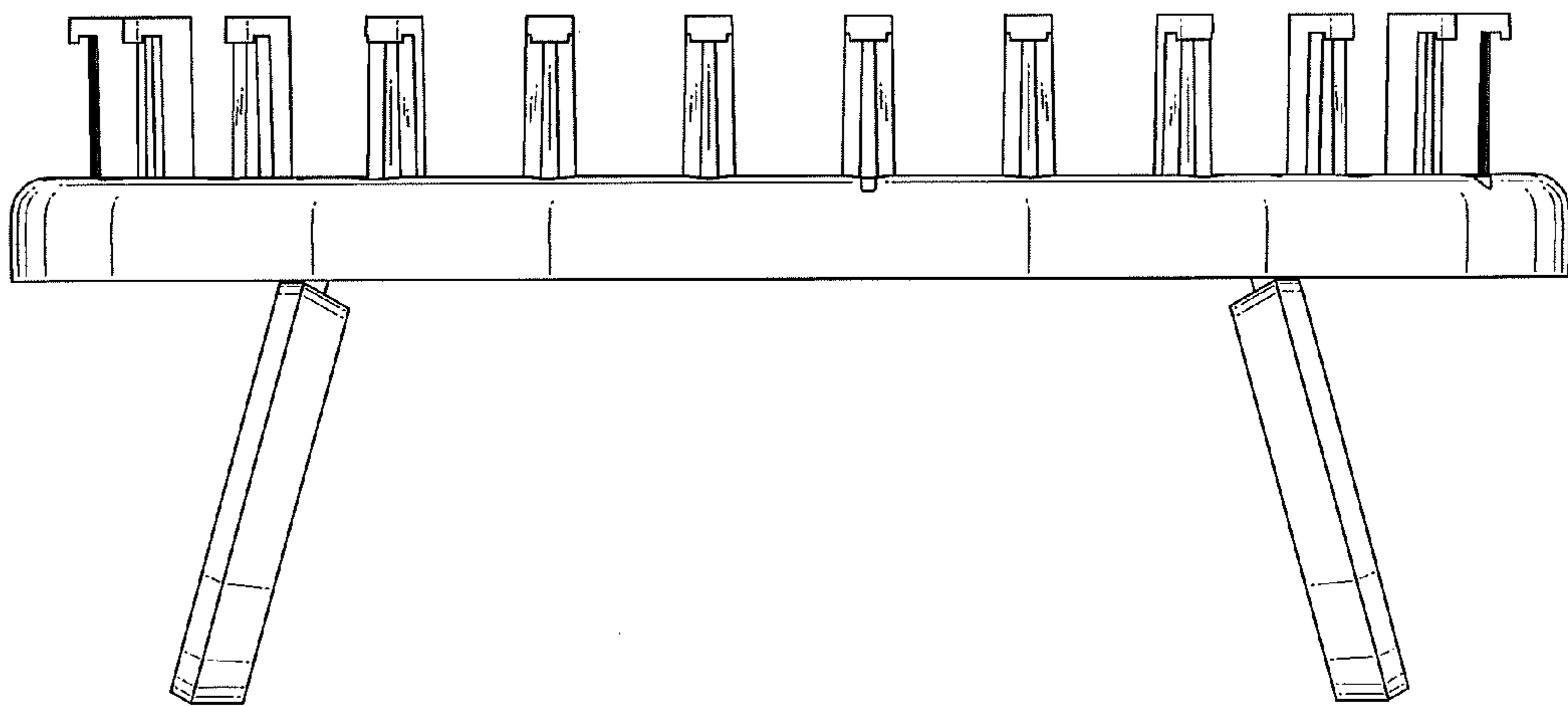


Fig. 4

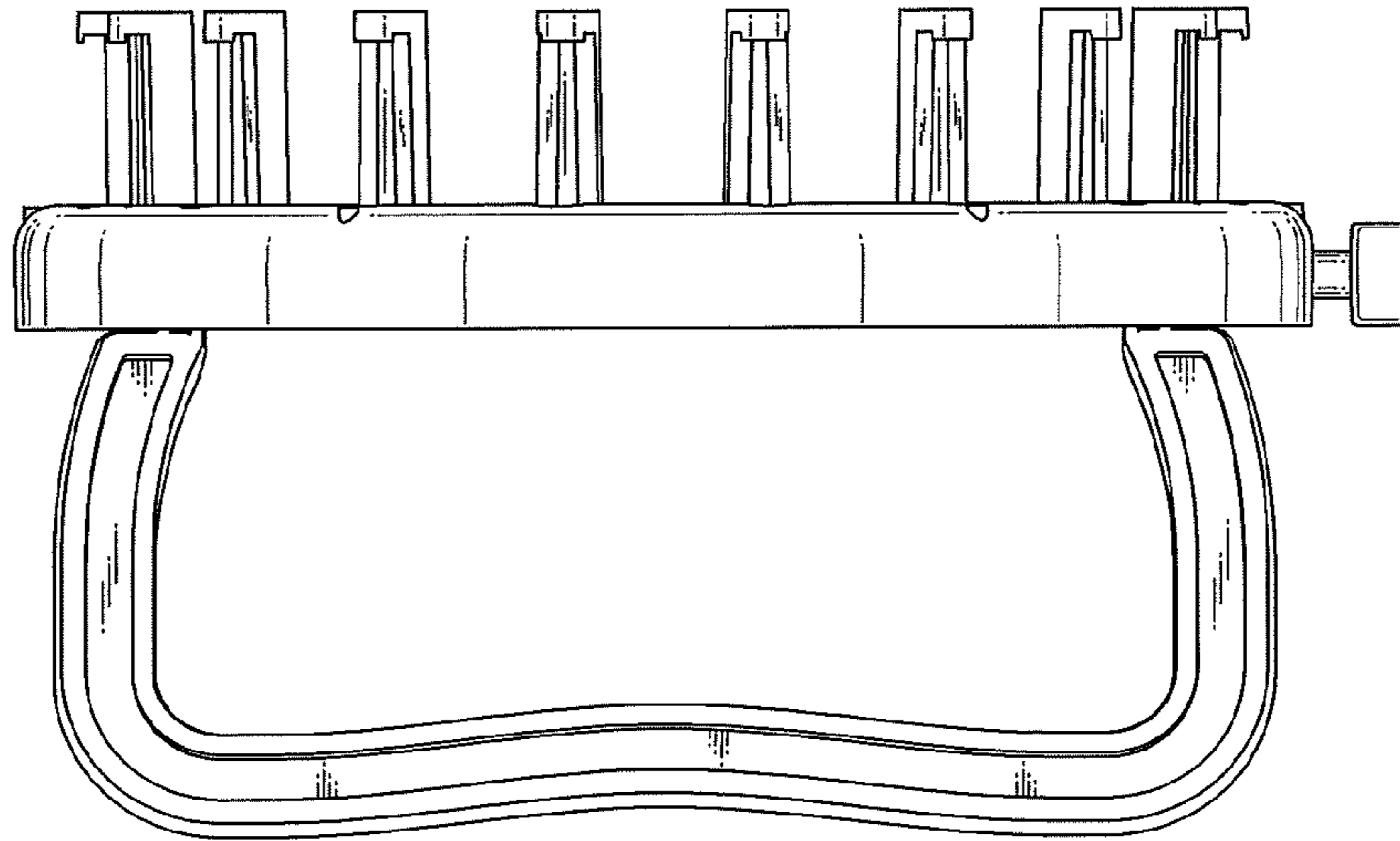


Fig. 5

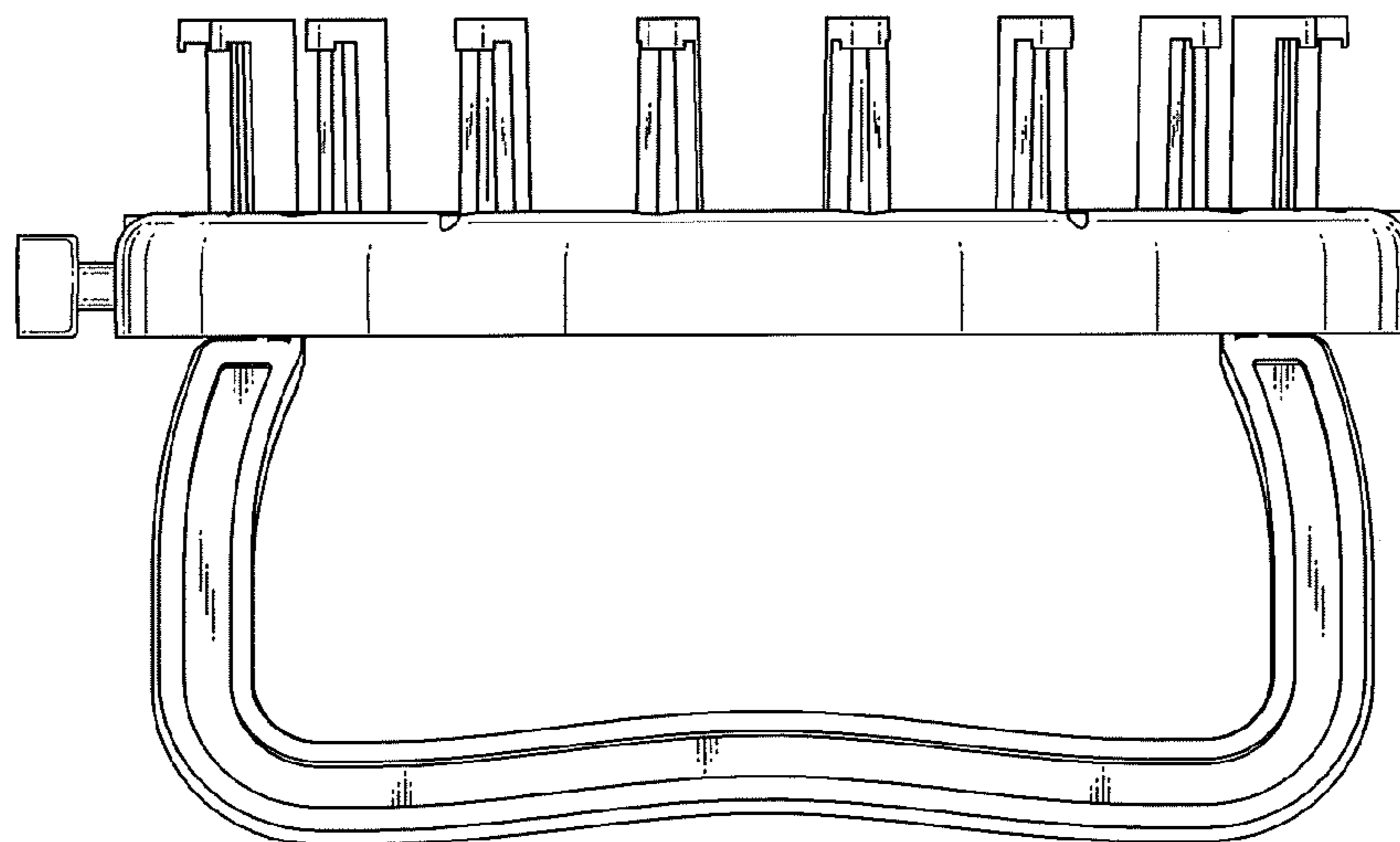


Fig. 6

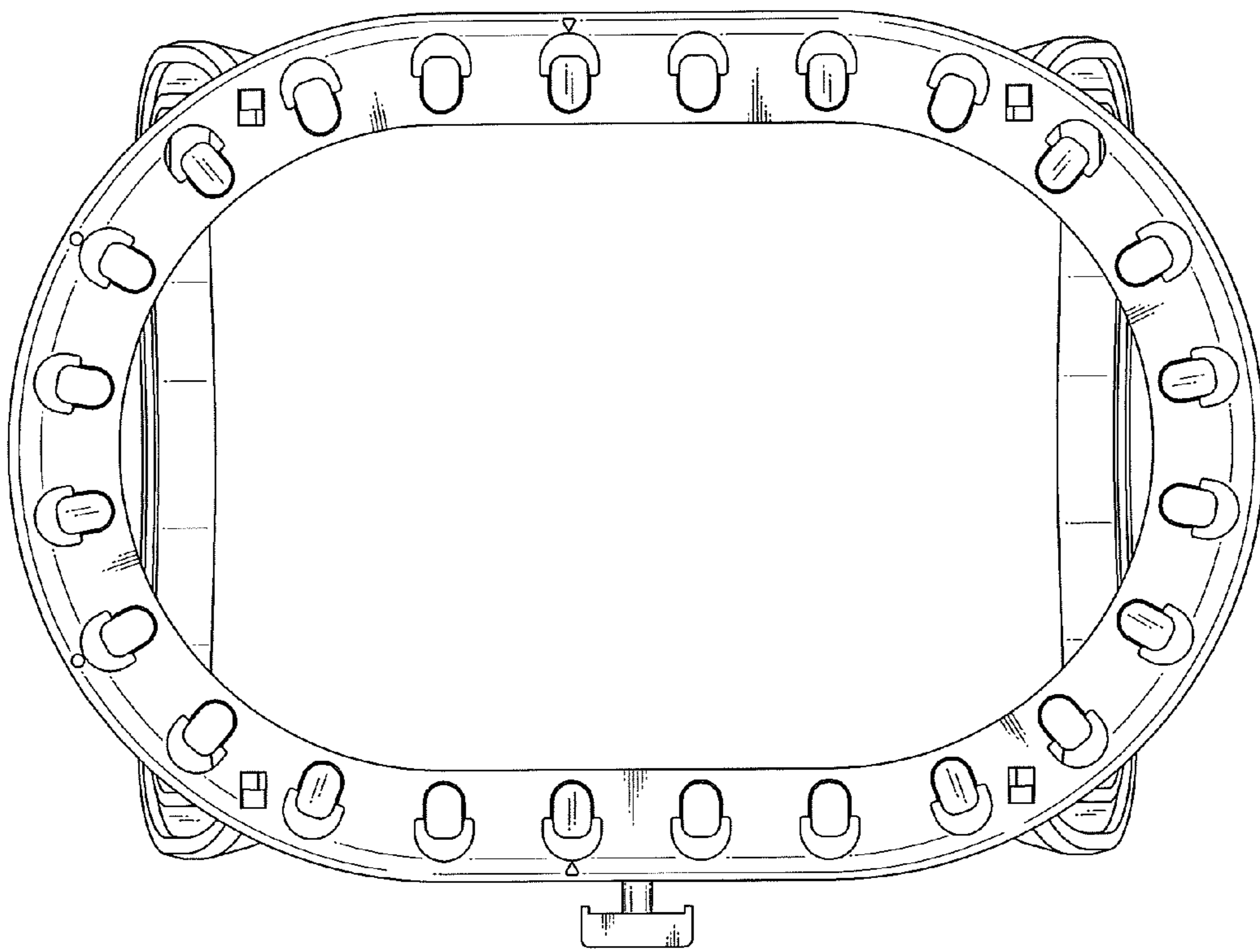


Fig. 7

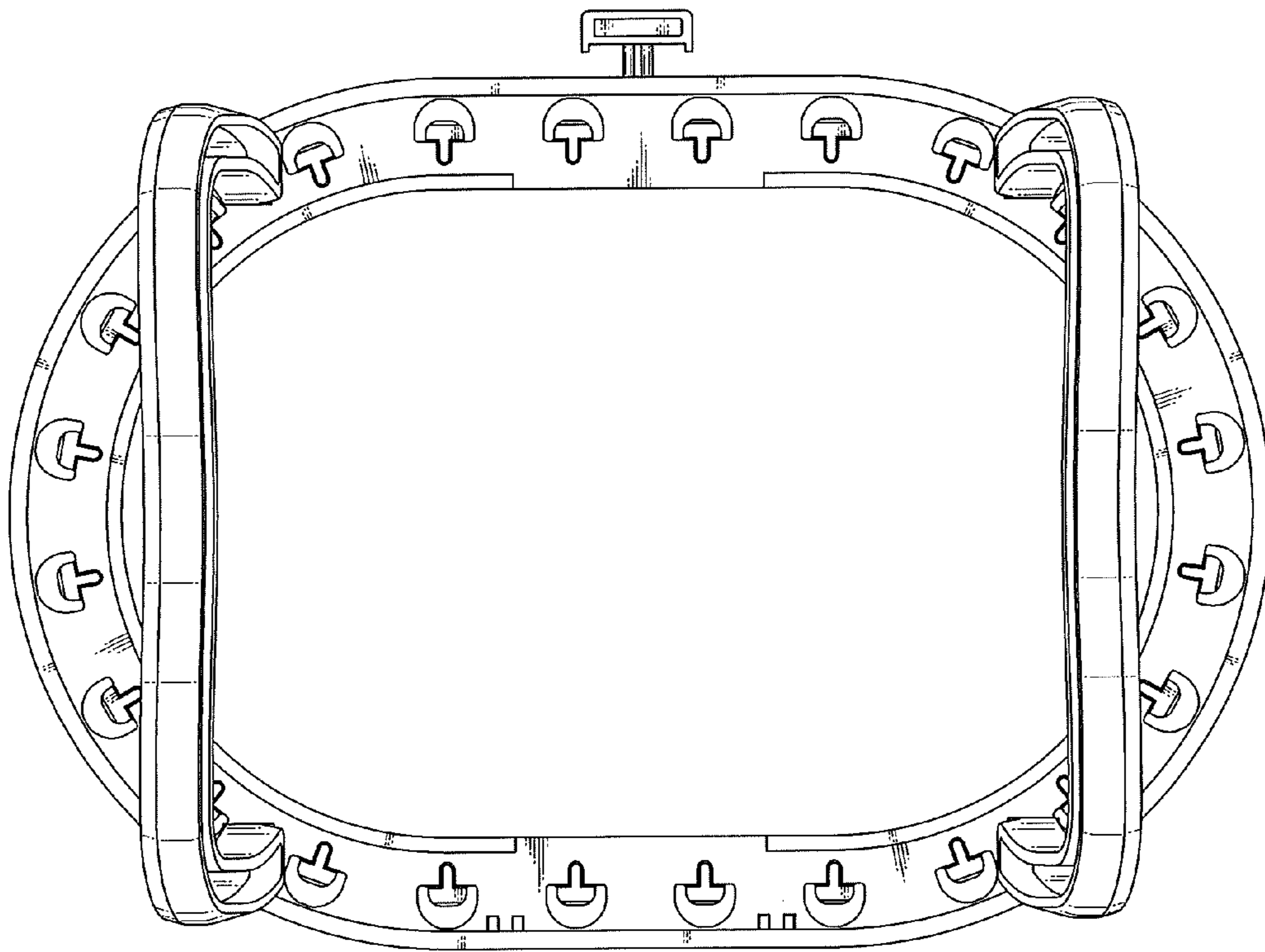


Fig. 8

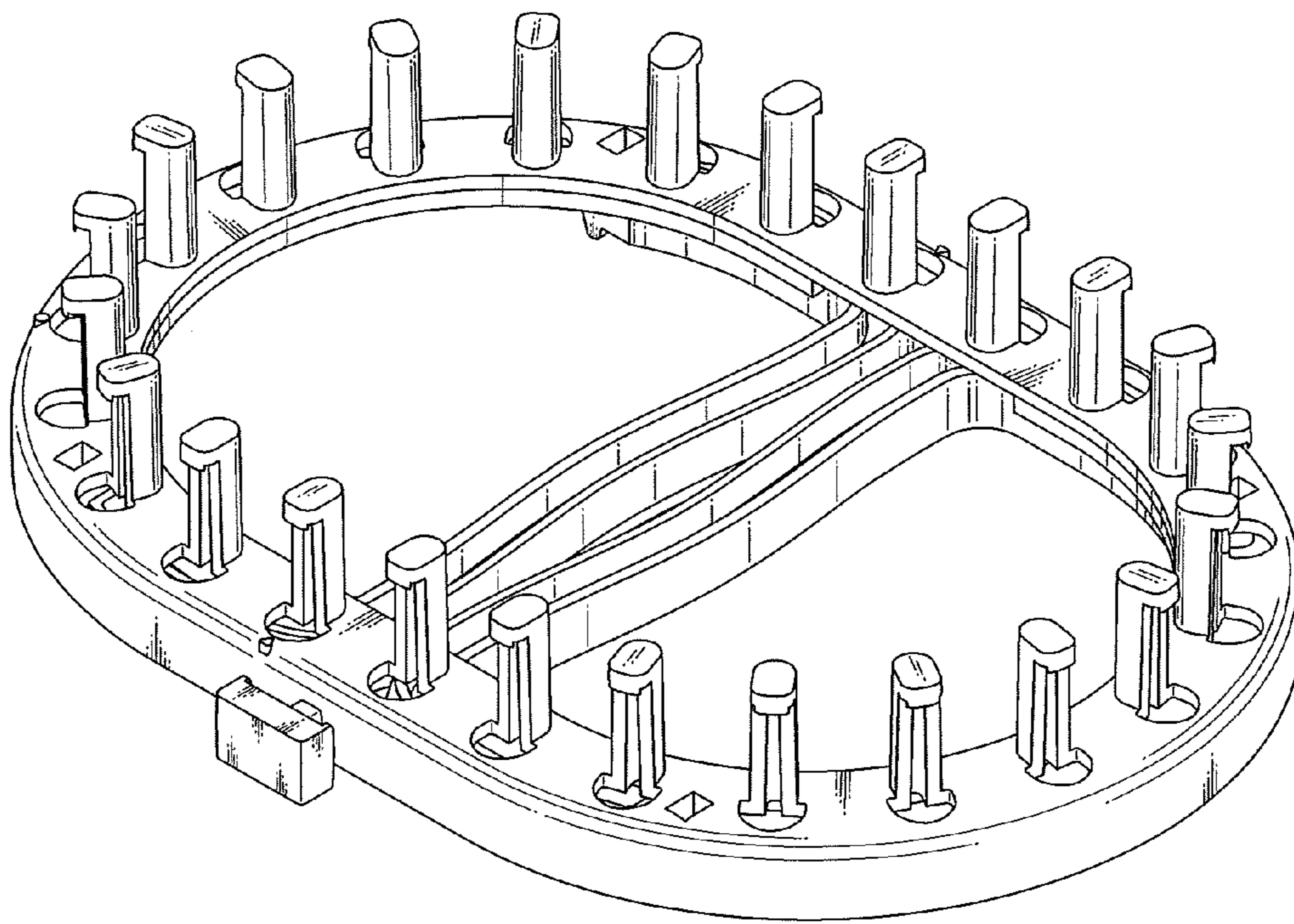


Fig. 9

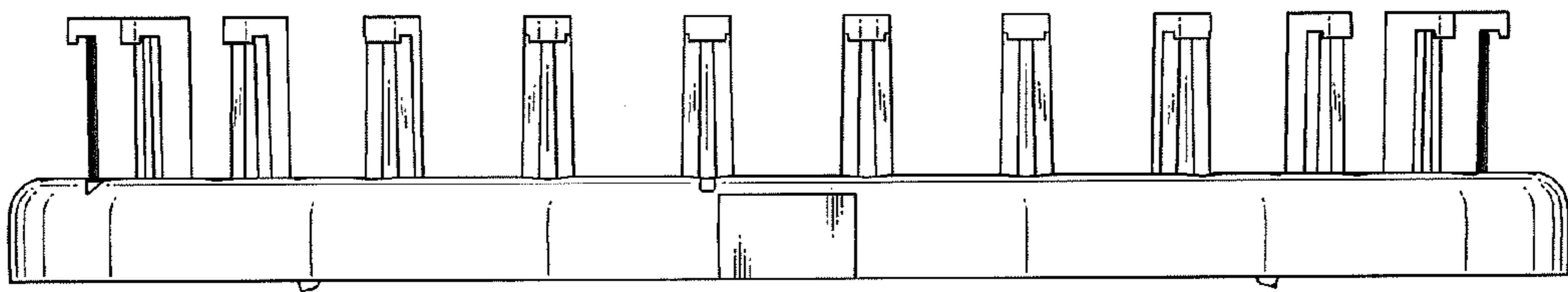


Fig. 10

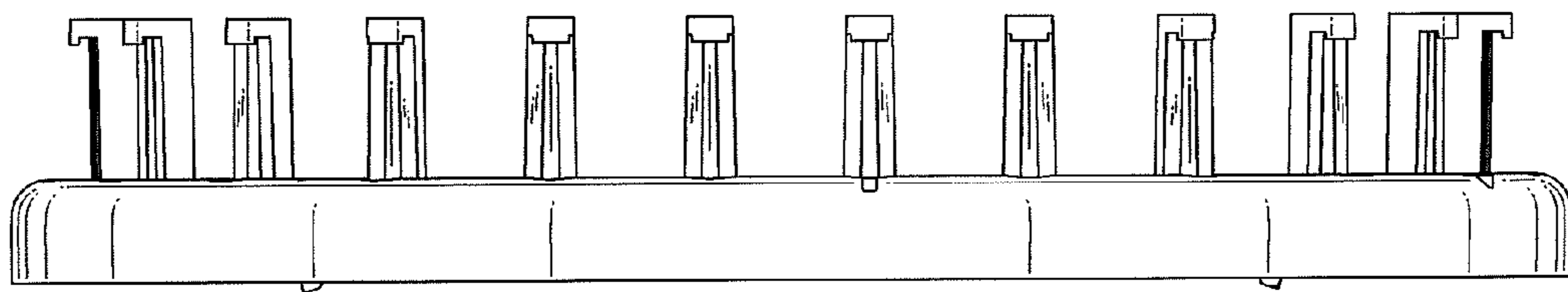


Fig. 11

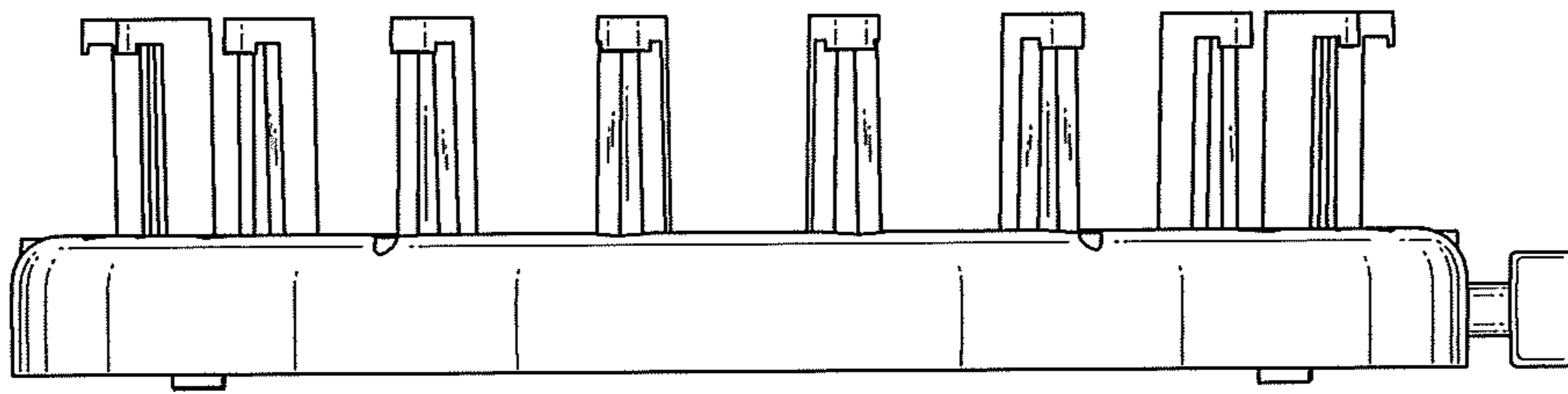


Fig. 12

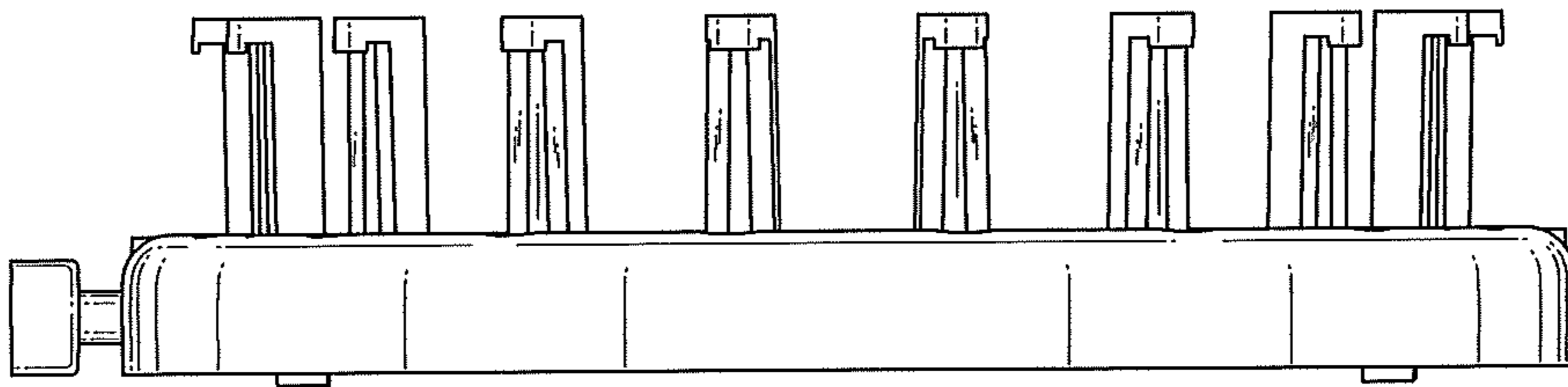


Fig. 13

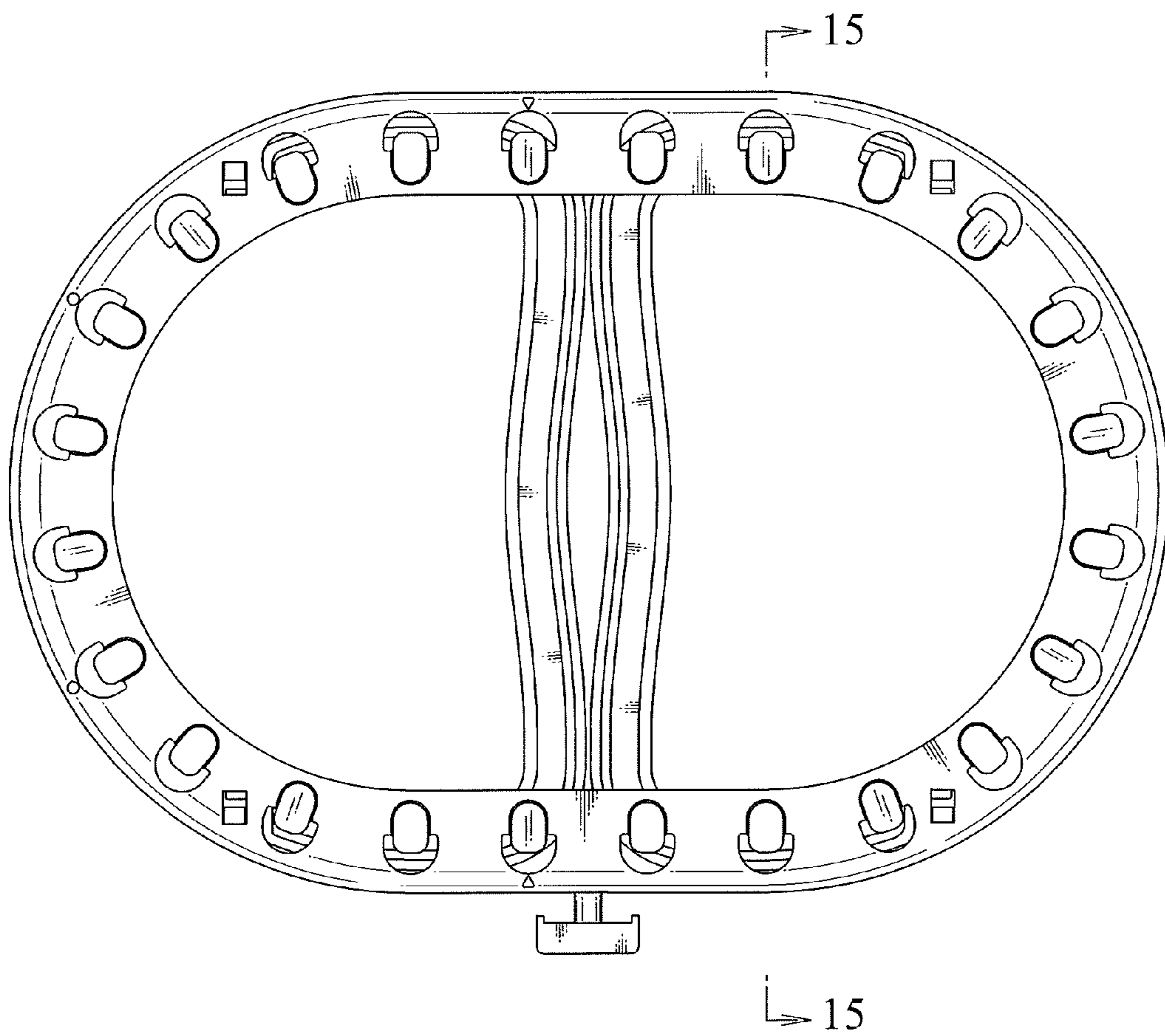


Fig. 14

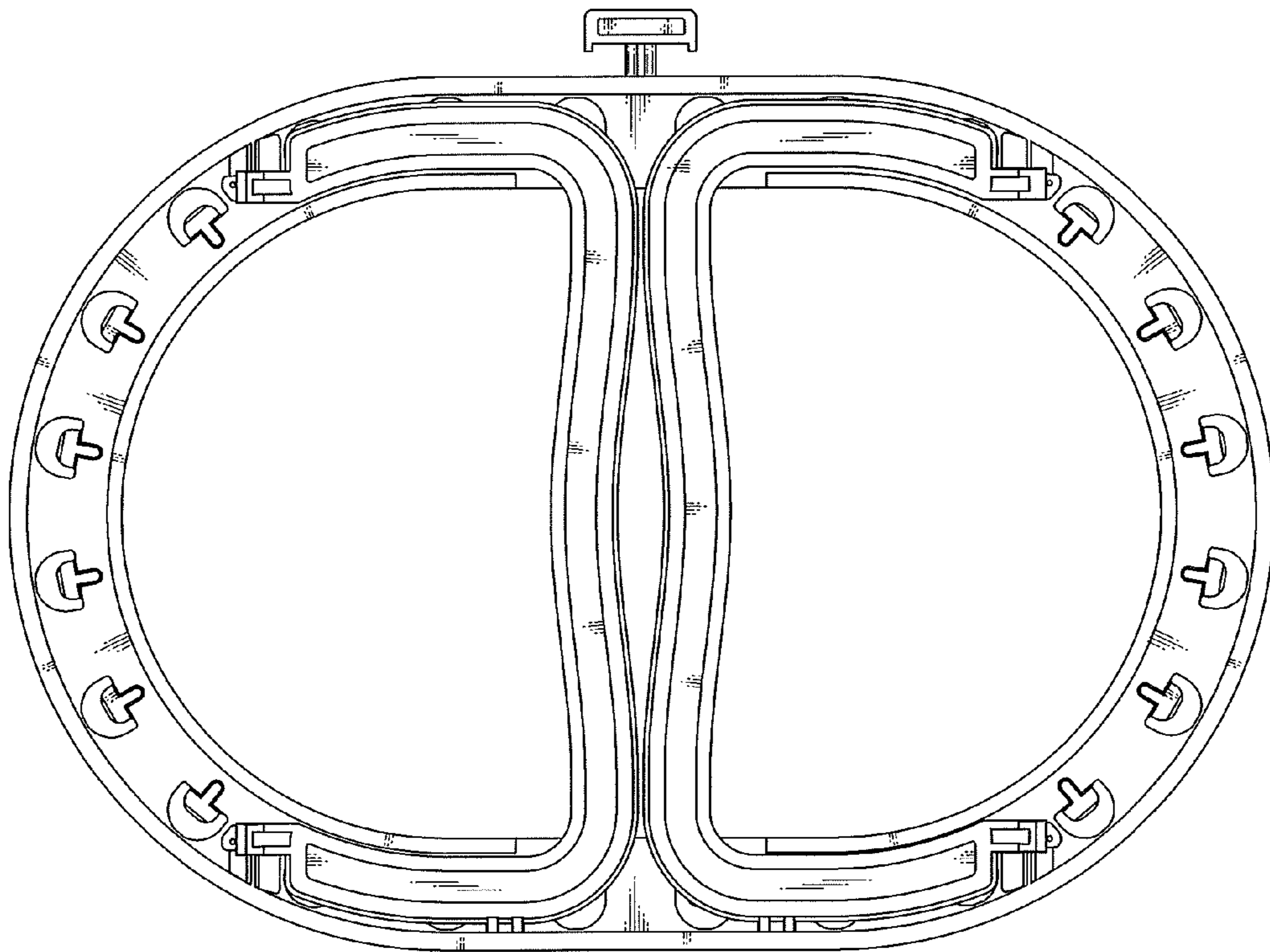


Fig. 15

