



US00D773173S

(12) **United States Design Patent** (10) **Patent No.:** **US D773,173 S**
Headley et al. (45) **Date of Patent:** **** Dec. 6, 2016**

(54) **UMBRELLA HANDLE**
(71) Applicant: **totes Isotoner Corporation**, Cincinnati, OH (US)
(72) Inventors: **Ann S. Headley**, Cincinnati, OH (US); **Julie Kerr**, Cincinnati, OH (US)
(73) Assignee: **totes Isotoner Corporation**, Cincinnati, OH (US)

D287,192 S * 12/1986 Cain D3/12
D291,261 S * 8/1987 Cain D3/12
D291,385 S * 8/1987 Selig D3/12
D292,042 S * 9/1987 Selig D3/10
D292,642 S * 11/1987 Selig D3/12
D308,288 S * 6/1990 Cain D3/12
D309,372 S * 7/1990 Cain D3/12
D309,825 S * 8/1990 Cain D3/12
D310,599 S * 9/1990 Cain D3/12

(Continued)

(**) Term: **15 Years**

(21) Appl. No.: **29/528,290**

(22) Filed: **May 27, 2015**

(51) **LOC (10) Cl.** **03-01**

(52) **U.S. Cl.**
USPC **D3/12**

(58) **Field of Classification Search**
USPC D3/5, 10, 12, 13, 16; D8/300, 303, 315;
D12/133; 135/15.1, 19, 22, 24, 25.4
CPC A45B 25/02; A45B 21/00; A45B 25/143;
A45B 19/04
See application file for complete search history.

(56) **References Cited**

U.S. PATENT DOCUMENTS

D19,966 S * 7/1890 Weihman et al. D3/12
1,042,417 A * 10/1912 Erickson et al. A45B 25/12
135/44
D232,598 S * 8/1974 Weber D3/12
D248,510 S * 7/1978 DiVito D3/12
D274,674 S * 7/1984 Allen D3/12
D274,765 S * 7/1984 Allen D3/12
D284,234 S * 6/1986 Allen D3/12
D284,713 S * 7/1986 Brinker D3/12
D287,190 S * 12/1986 Cain D3/12
D287,191 S * 12/1986 Cain D3/12

OTHER PUBLICATIONS

totes Umbrellas product catalog, 1985, 4 pgs.

Primary Examiner — John Windmuller

Assistant Examiner — Steven Czyz

(74) *Attorney, Agent, or Firm* — Rossi, Kimms & McDowell LLP

(57) **CLAIM**

The ornamental design for an umbrella handle, as shown as shown and described.

DESCRIPTION

FIG. 1 is a perspective view of an umbrella handle showing a new design.

FIG. 2 is an alternate perspective view of the handle of FIG. 1.

FIG. 3 is a front elevation view of the handle of FIG. 1.

FIG. 4 is a rear elevation view of the handle of FIG. 1.

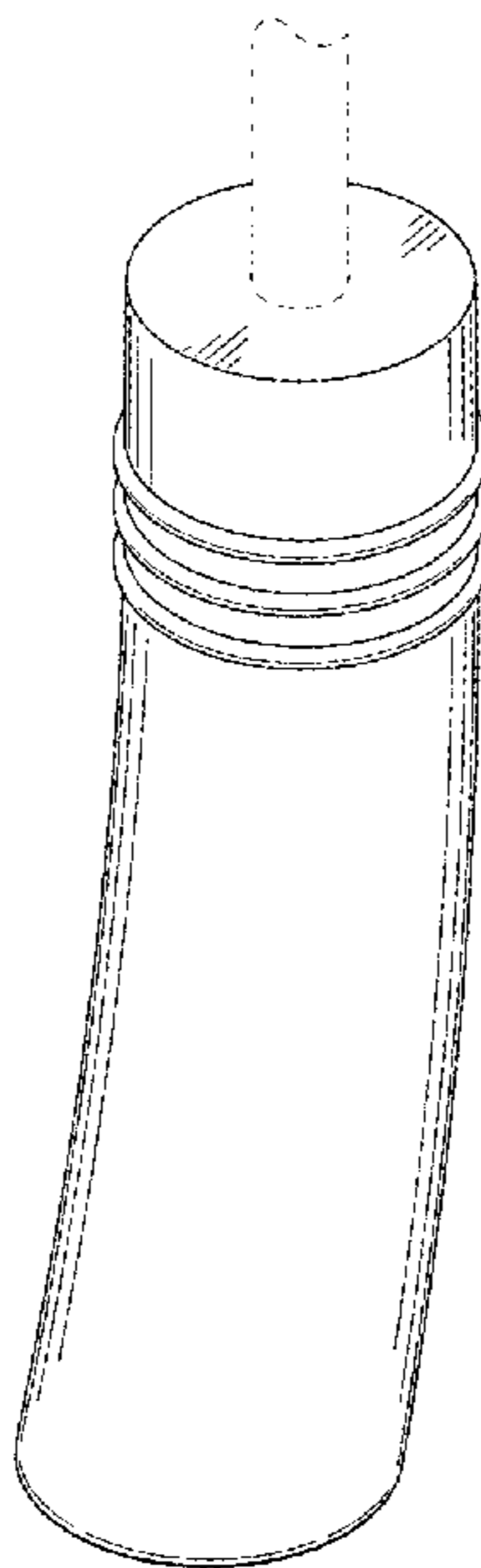
FIG. 5 is a side elevation view of the handle of FIG. 1, the opposite side elevation being a mirror image thereof.

FIG. 6 is a top plan view of the handle of FIG. 1; and

FIG. 7 is a bottom plan view of the handle of FIG. 1.

The broken lines in the drawings depict portions of the article that form no part of the claimed design.

1 Claim, 3 Drawing Sheets



(56)

References Cited

U.S. PATENT DOCUMENTS

D312,348 S * 11/1990 Cain D3/12
 D312,724 S * 12/1990 Cain D3/12
 D316,777 S * 5/1991 Cain D3/12
 D317,976 S * 7/1991 Cain D3/12
 D319,536 S * 9/1991 Cain D3/12
 D321,428 S * 11/1991 Cain D3/12
 D321,592 S * 11/1991 Cain D3/12
 D321,780 S * 11/1991 Cain D3/12
 5,144,969 A * 9/1992 Chou A45B 25/16
 135/22
 D369,462 S * 5/1996 Cain D3/12
 D415,611 S * 10/1999 Doster D3/12
 D416,525 S * 11/1999 Sacco D12/179
 D450,441 S * 11/2001 Chen D3/12
 6,360,759 B1 * 3/2002 Lin A45B 25/143
 135/24
 D465,397 S * 11/2002 Chen D8/107
 D473,708 S * 4/2003 Headley D3/12
 D477,459 S * 7/2003 Kuo D3/12
 D485,056 S * 1/2004 Headley D3/12
 D486,375 S * 2/2004 Lin D8/107
 D491,349 S * 6/2004 Headley D3/12

D491,719 S * 6/2004 Gobel D3/11
 6,779,536 B2 * 8/2004 Kuo A45B 25/16
 135/24
 D510,061 S * 9/2005 Woods D12/179
 D516,298 S * 3/2006 Fenton D3/12
 D518,949 S * 4/2006 Wang D3/12
 D521,229 S * 5/2006 Mariano D3/5
 D551,845 S * 10/2007 Headley D3/12
 D552,341 S * 10/2007 Headley D3/12
 D559,056 S * 1/2008 Wise D8/61
 D560,065 S * 1/2008 Rothbucher D3/12
 D589,247 S * 3/2009 Headley D3/12
 D606,467 S * 12/2009 Ballard D12/179
 D648,933 S * 11/2011 Roher D3/12
 8,051,538 B2 * 11/2011 Hsieh B25G 1/102
 16/430
 D659,379 S * 5/2012 Headley D3/12
 D670,901 S * 11/2012 Rothbucher D3/10
 D677,878 S * 3/2013 Headley D3/12
 D692,652 S * 11/2013 Headley D3/12
 D729,510 S * 5/2015 Headley D3/12
 D746,042 S * 12/2015 Kerr D3/12
 2005/0115598 A1 * 6/2005 Wu A45B 9/02
 135/25.4

* cited by examiner

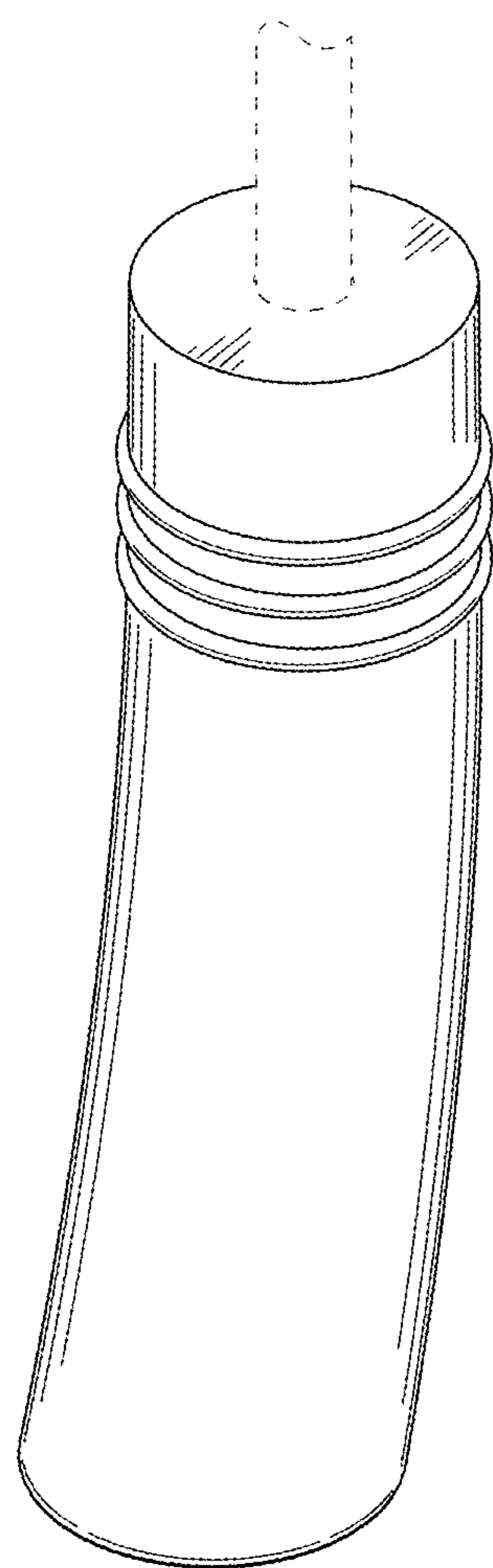


FIG. 1

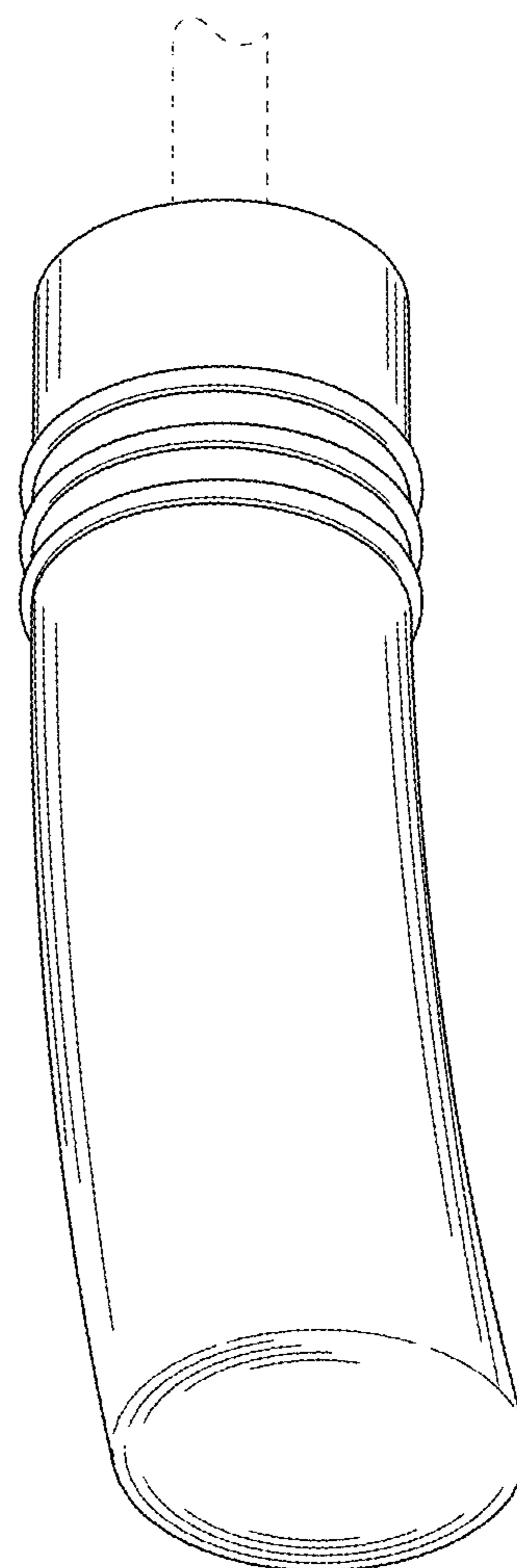


FIG. 2

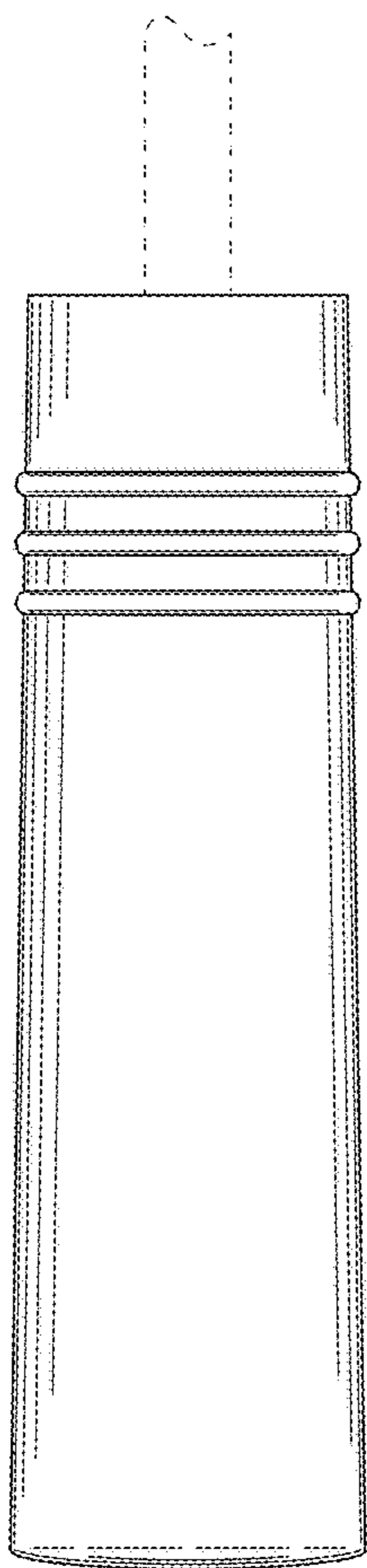


FIG. 3

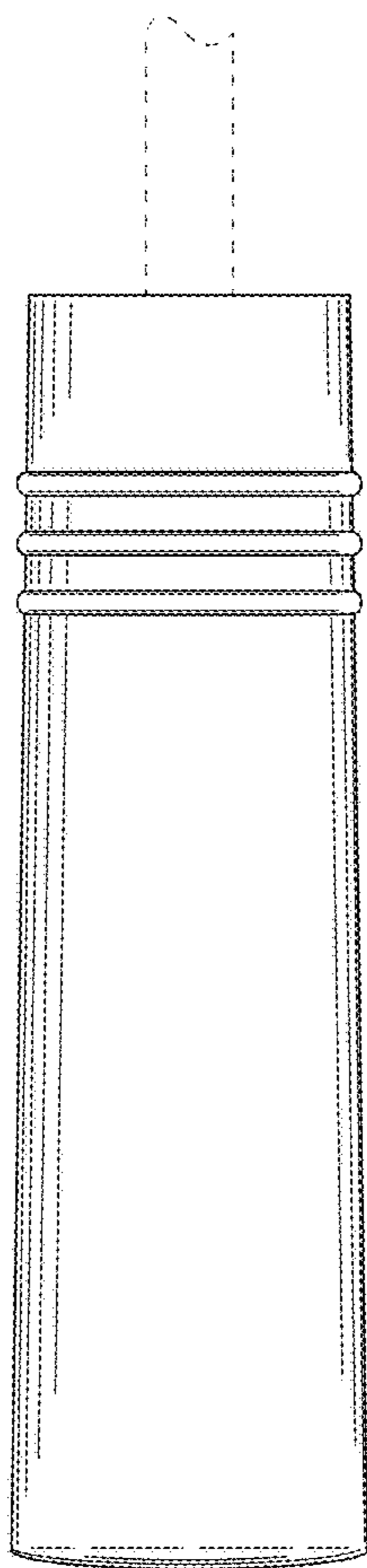


FIG. 4

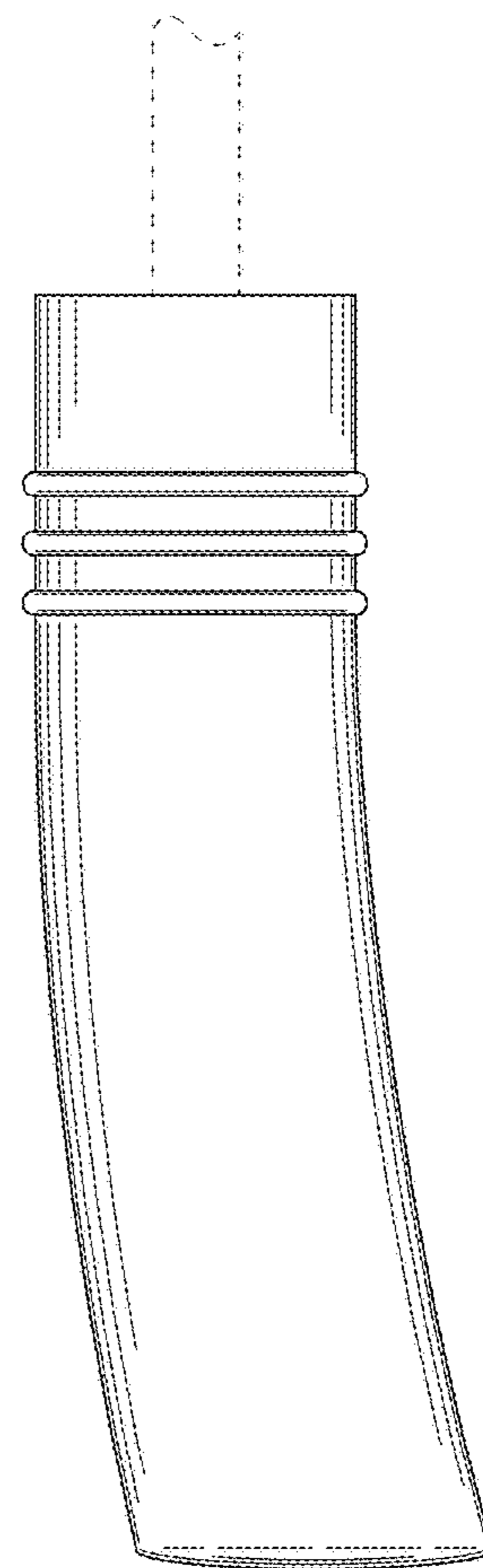


FIG. 5

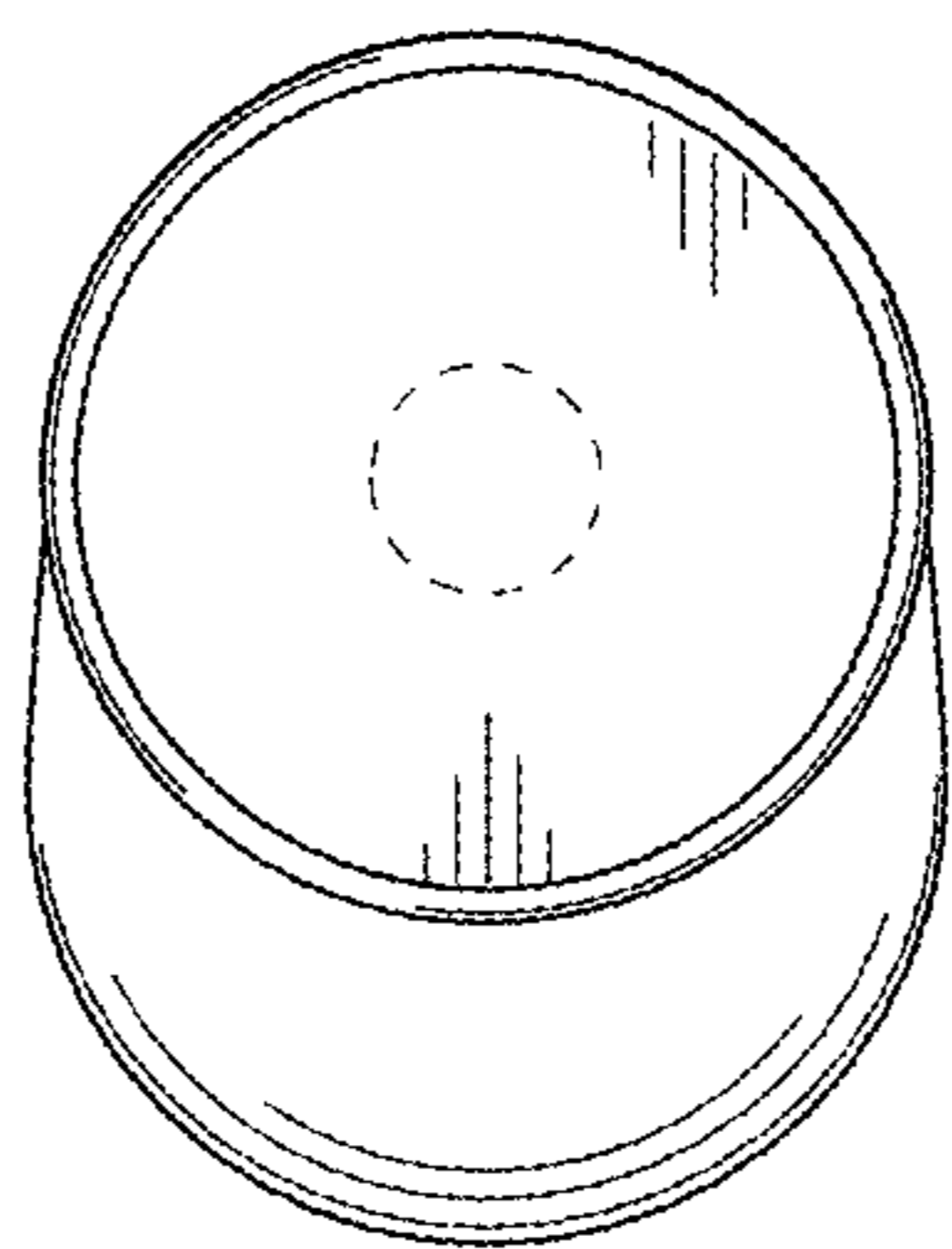


FIG. 6

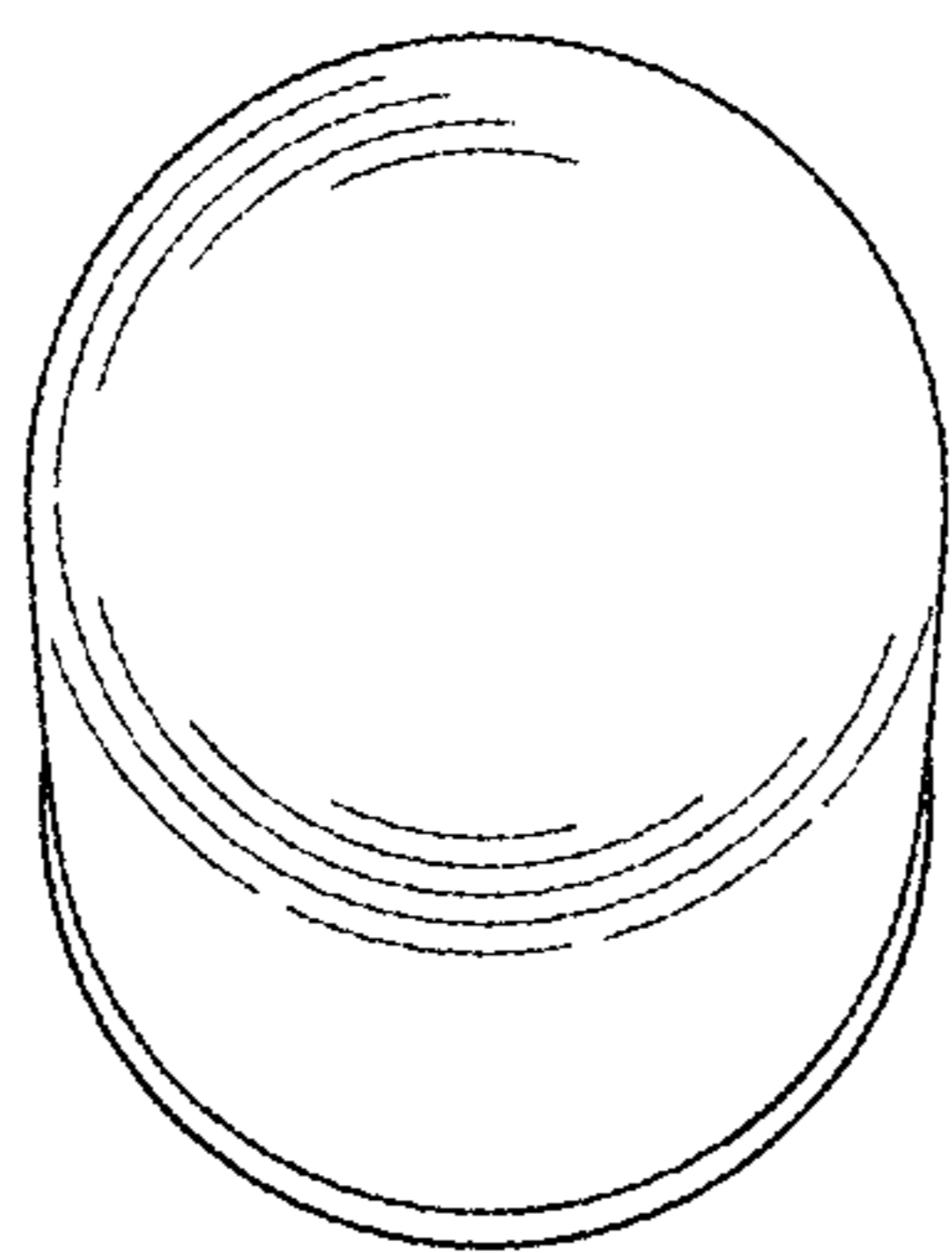


FIG. 7