



US00D773152S

(12) **United States Design Patent**  
**Daroie**

(10) **Patent No.:** **US D773,152 S**  
(45) **Date of Patent:** **\*\* Dec. 6, 2016**

(54) **TANK TOP**

(71) Applicant: **Allison Daroie**, Cambridge, MA (US)

(72) Inventor: **Allison Daroie**, Cambridge, MA (US)

(\*\*) Term: **14 Years**

(21) Appl. No.: **29/503,980**

(22) Filed: **Oct. 1, 2014**

(51) **LOC (10) Cl.** ..... **02-02**

(52) **U.S. Cl.**  
USPC ..... **D2/840**

(58) **Field of Classification Search**  
USPC ..... D2/731-738, 706, 712, 840-844,  
847,D2/849, 717, 753  
CPC ..... A41D 7/00; A41D 7/001; A41D 7/005;  
A41D 1/205  
See application file for complete search history.

(56) **References Cited**

**U.S. PATENT DOCUMENTS**

D120,696 S *	5/1940	Whittingham	2/90
D174,115 S *	3/1955	Dior	D2/703
D260,445 S *	9/1981	Schreiber	D2/700
6,983,489 B2 *	1/2006	Caprio	A41D 1/205 2/106
D573,776 S *	7/2008	Thunstedt	D2/840
7,395,556 B2 *	7/2008	Eraca	A41D 13/1236 2/104
D630,410 S *	1/2011	Hendrickson	D2/703
D636,558 S *	4/2011	Shelton	D2/720
D641,129 S *	7/2011	Zarabi	D2/703

D641,130 S *	7/2011	Zarabi	D2/703
D664,738 S *	8/2012	Friberg	D2/848
D683,525 S *	6/2013	Iamartino	D2/840

\* cited by examiner

*Primary Examiner* — Ian Simmons  
*Assistant Examiner* — Rashida C Walshon

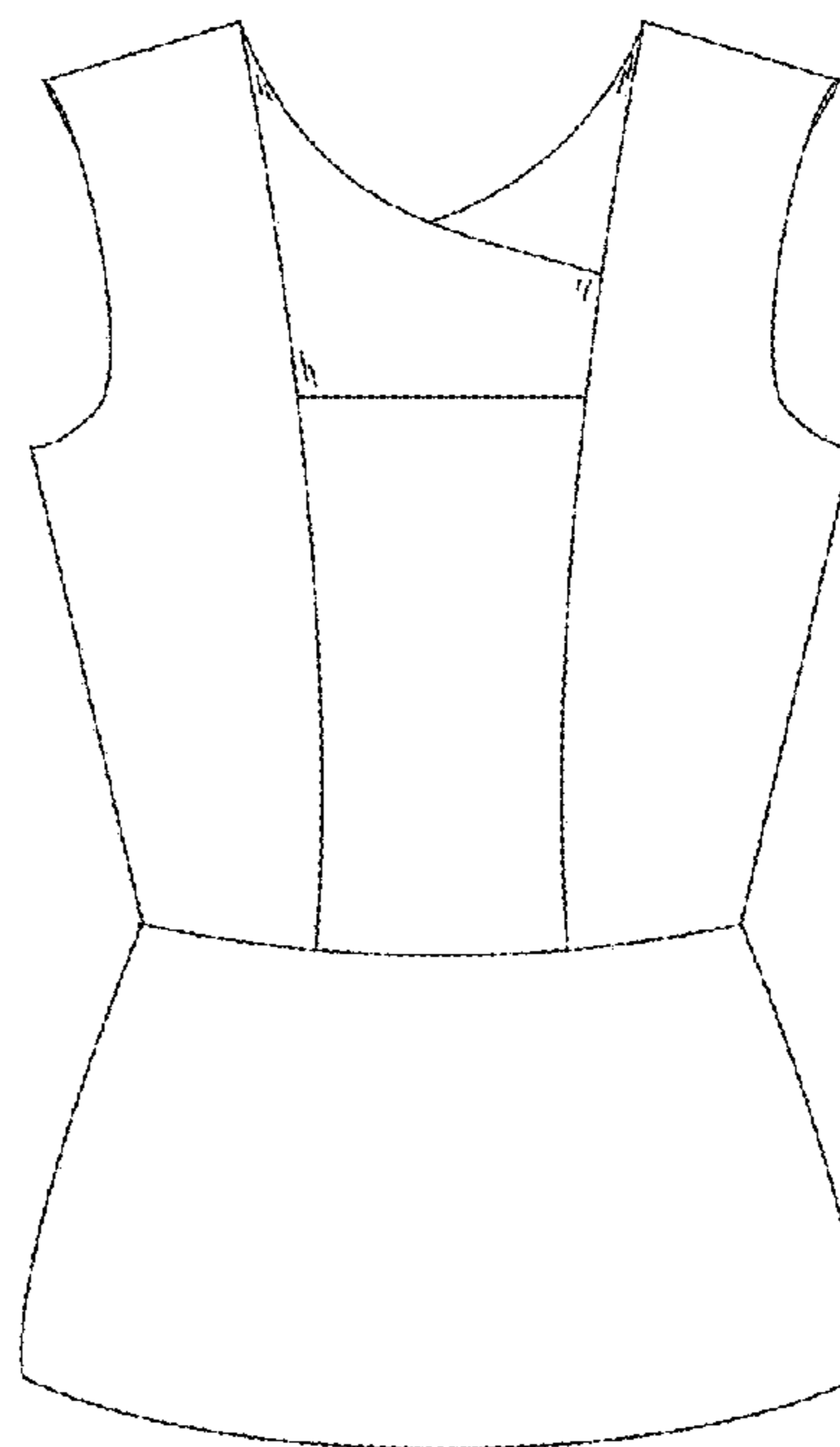
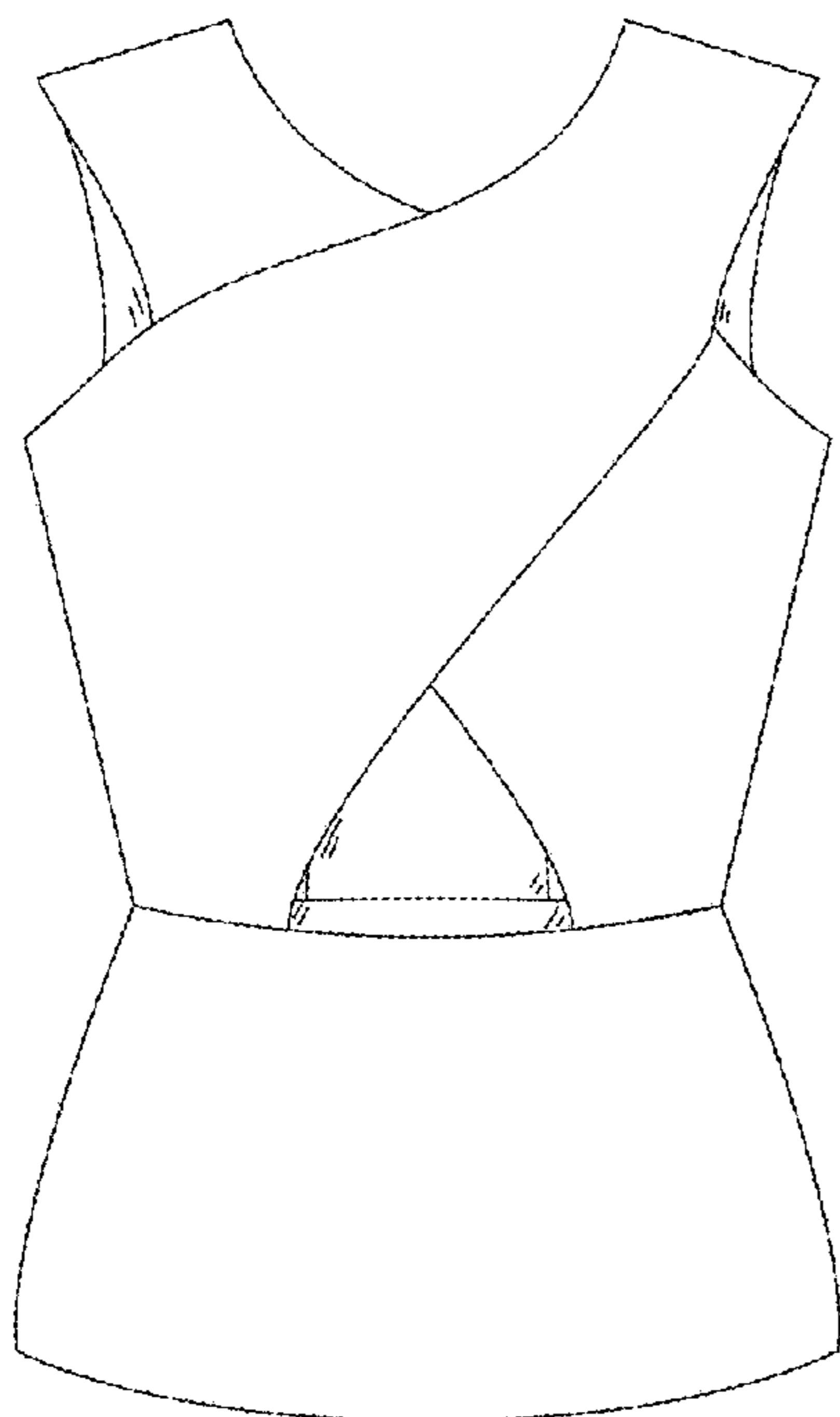
(57) **CLAIM**

The ornamental design for a tank top, as shown and described.

**DESCRIPTION**

FIG. 1 is a front view of the tank top, showing my new design;  
 FIG. 2 is a rear view thereof;  
 FIG. 3 is a right side view thereof;  
 FIG. 4 is a left side view thereof;  
 FIG. 5 is a top view thereof;  
 FIG. 6 is a top view inside out thereof;  
 FIG. 7 is a front view as shown on a person thereof;  
 FIG. 8 is a right side view as shown on a person thereof;  
 FIG. 9 is a rear view as shown on a person thereof;  
 FIG. 10 is a front view, where the front of the tank top as displayed in FIG. 1 is worn as the rear and the rear as displayed in FIG. 2 is worn as the front, as shown on a person thereof;  
 FIG. 11 is a side view, where the front of the tank top as displayed in FIG. 1 is worn as the rear and the rear as displayed in FIG. 2 is worn as the front, as shown on a person thereof; and,  
 FIG. 12 is a rear view, where the front of the tank top as displayed in FIG. 1 is worn as the rear and the rear as displayed in FIG. 2 is worn as the front, as shown on a person thereof.

**1 Claim, 12 Drawing Sheets**



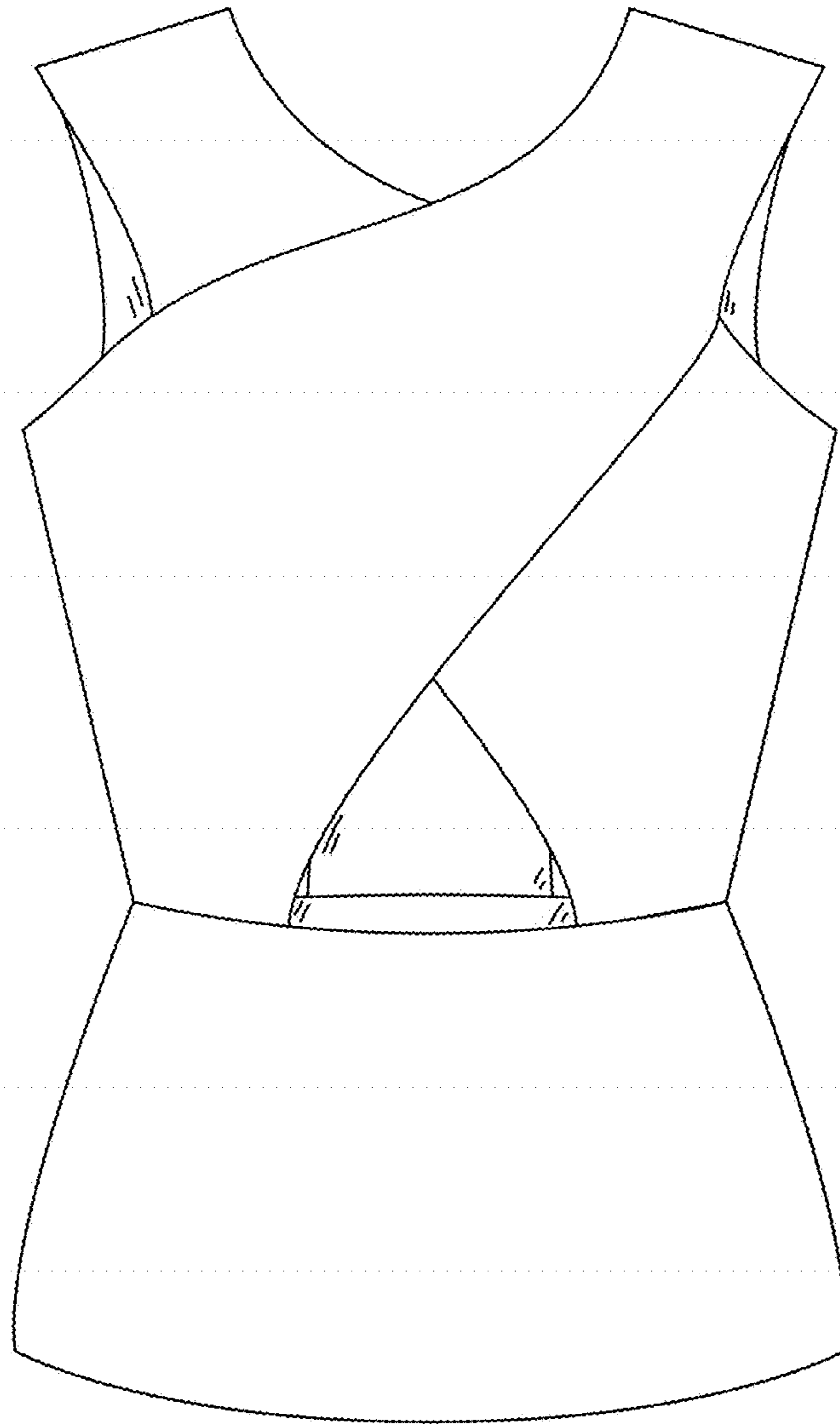


Fig 1

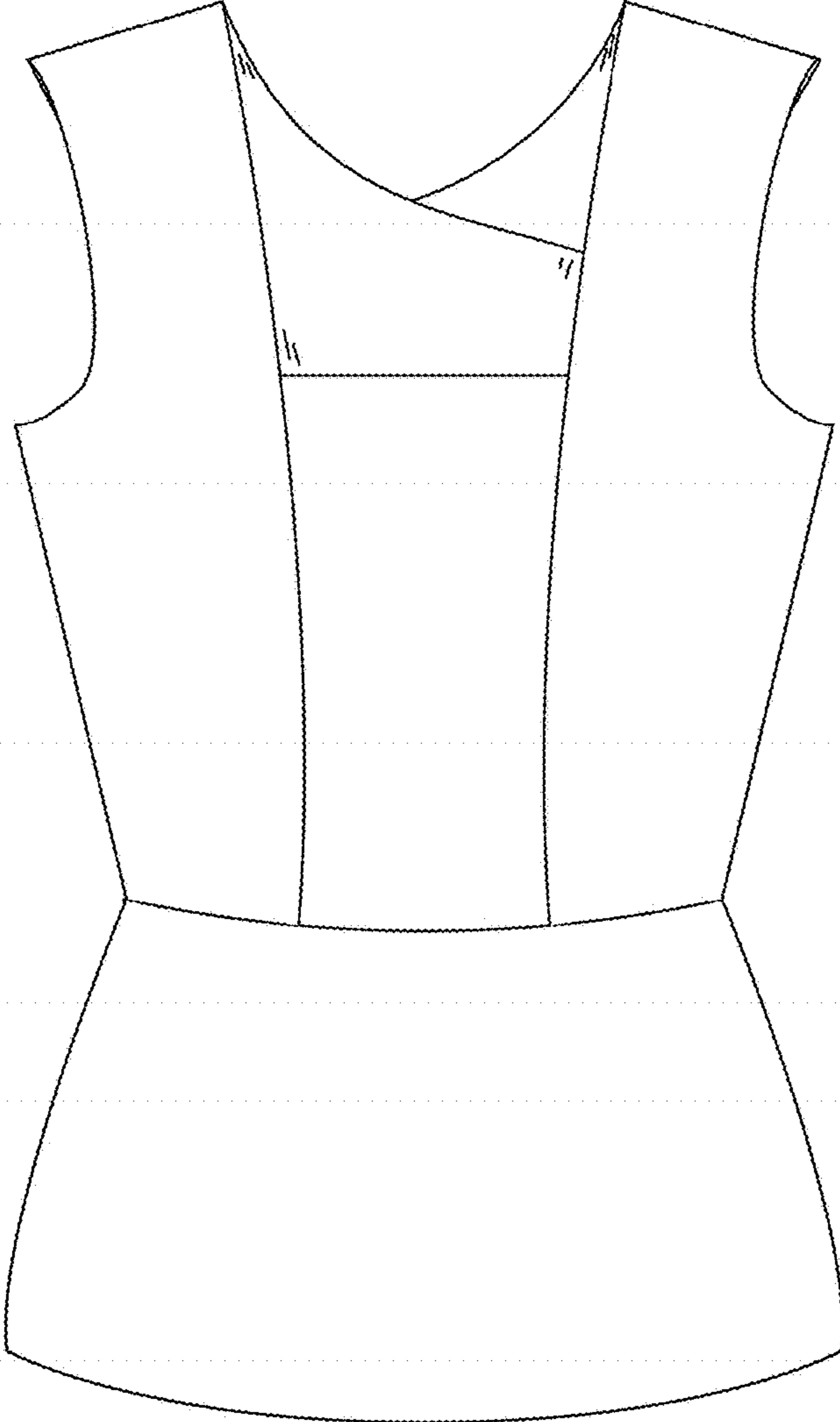


Fig 2

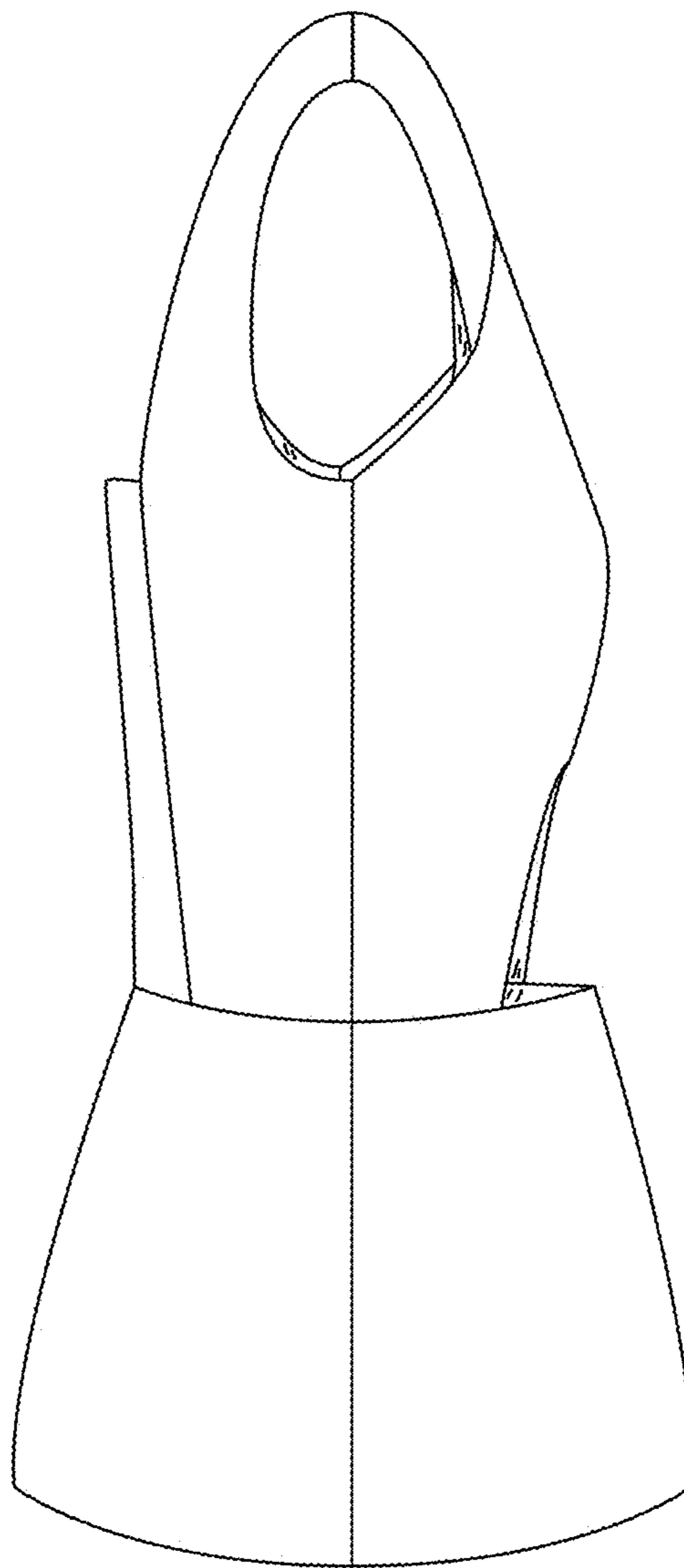


Fig 3

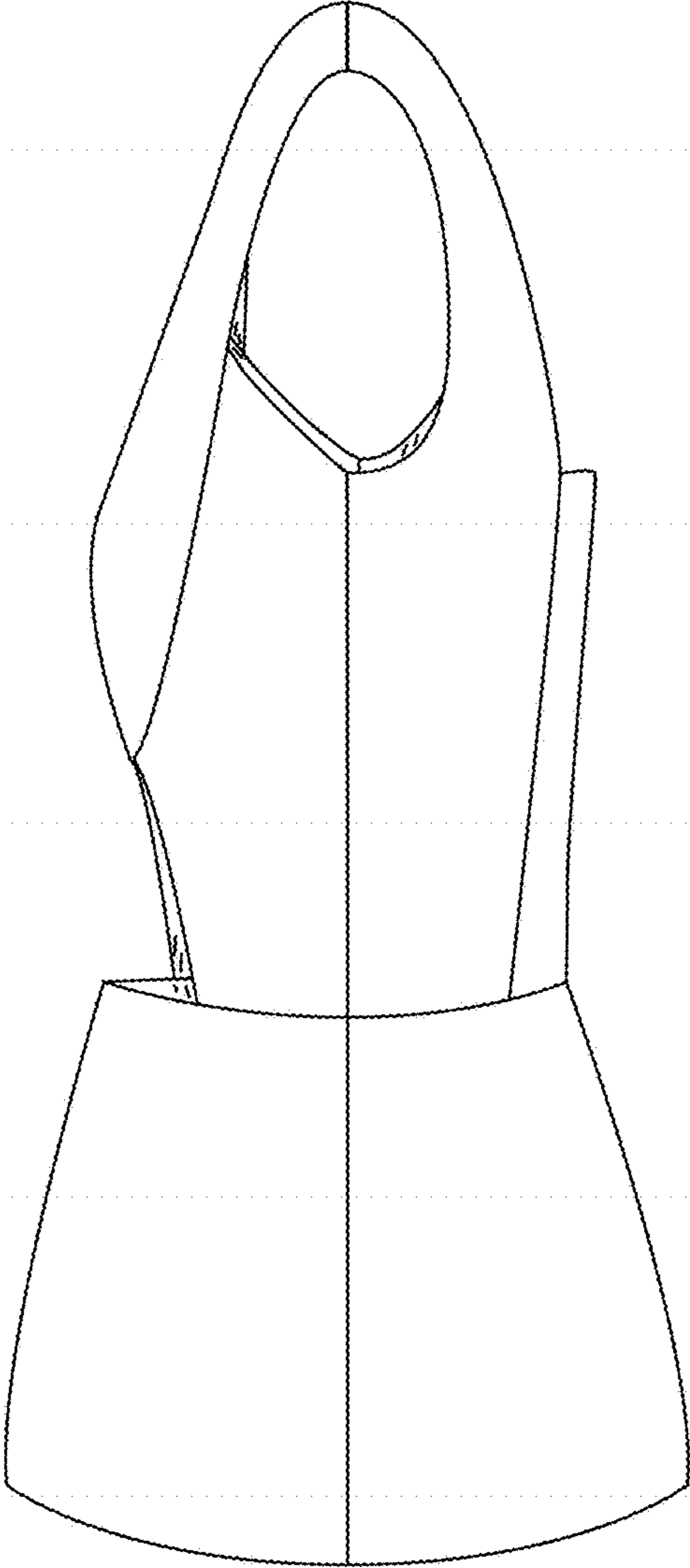


Fig 4

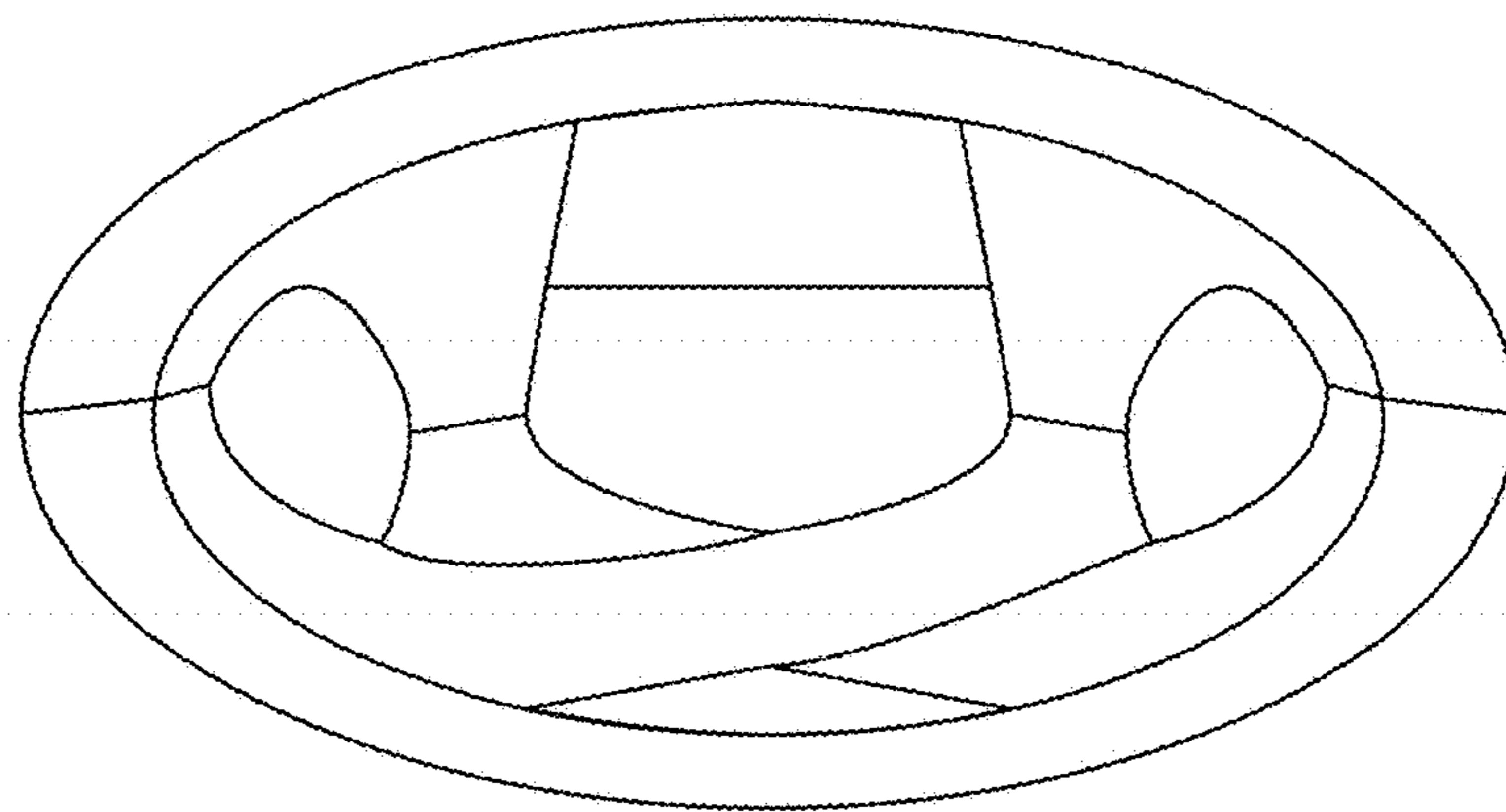


Fig 5

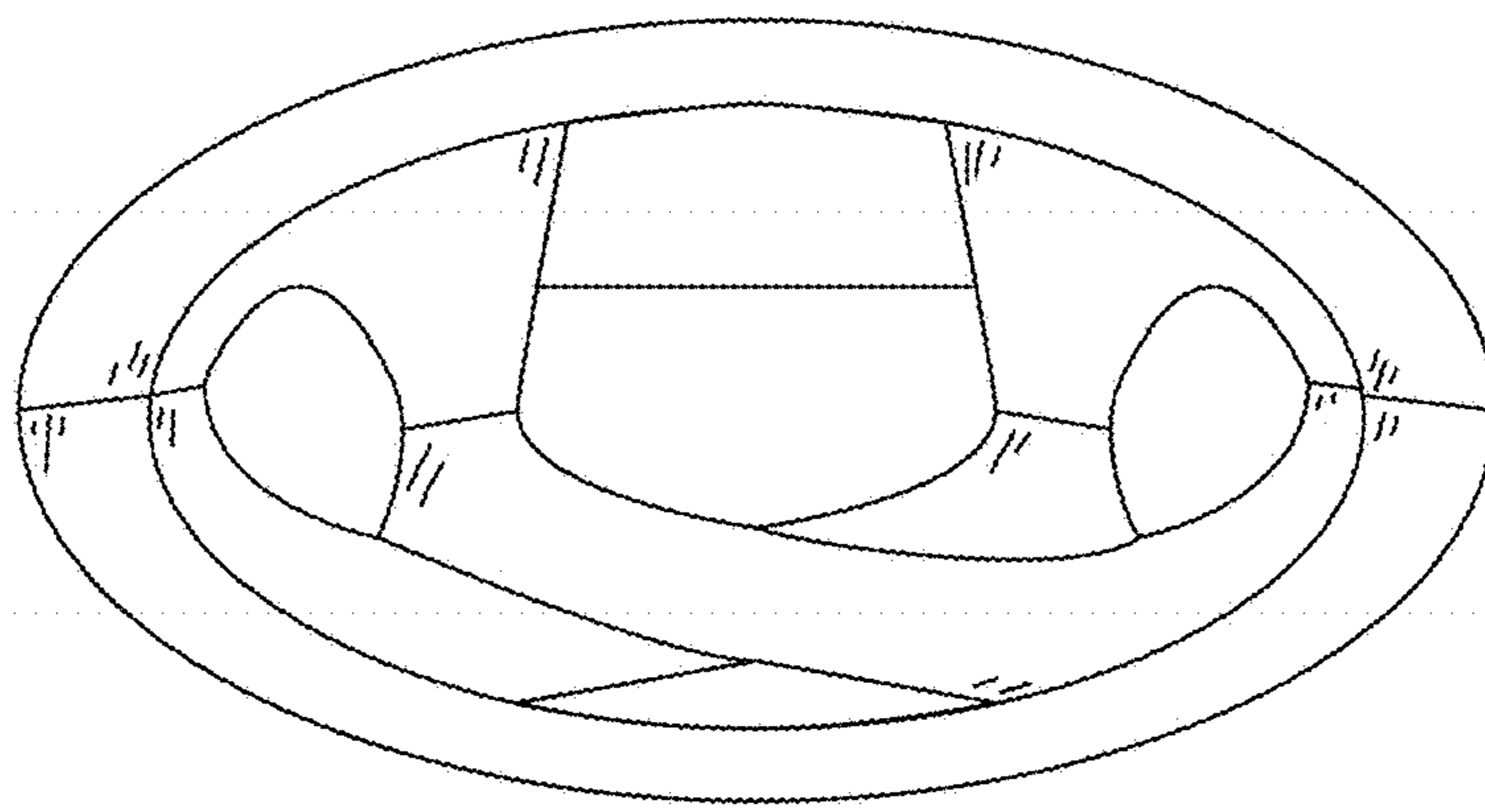


Fig 6

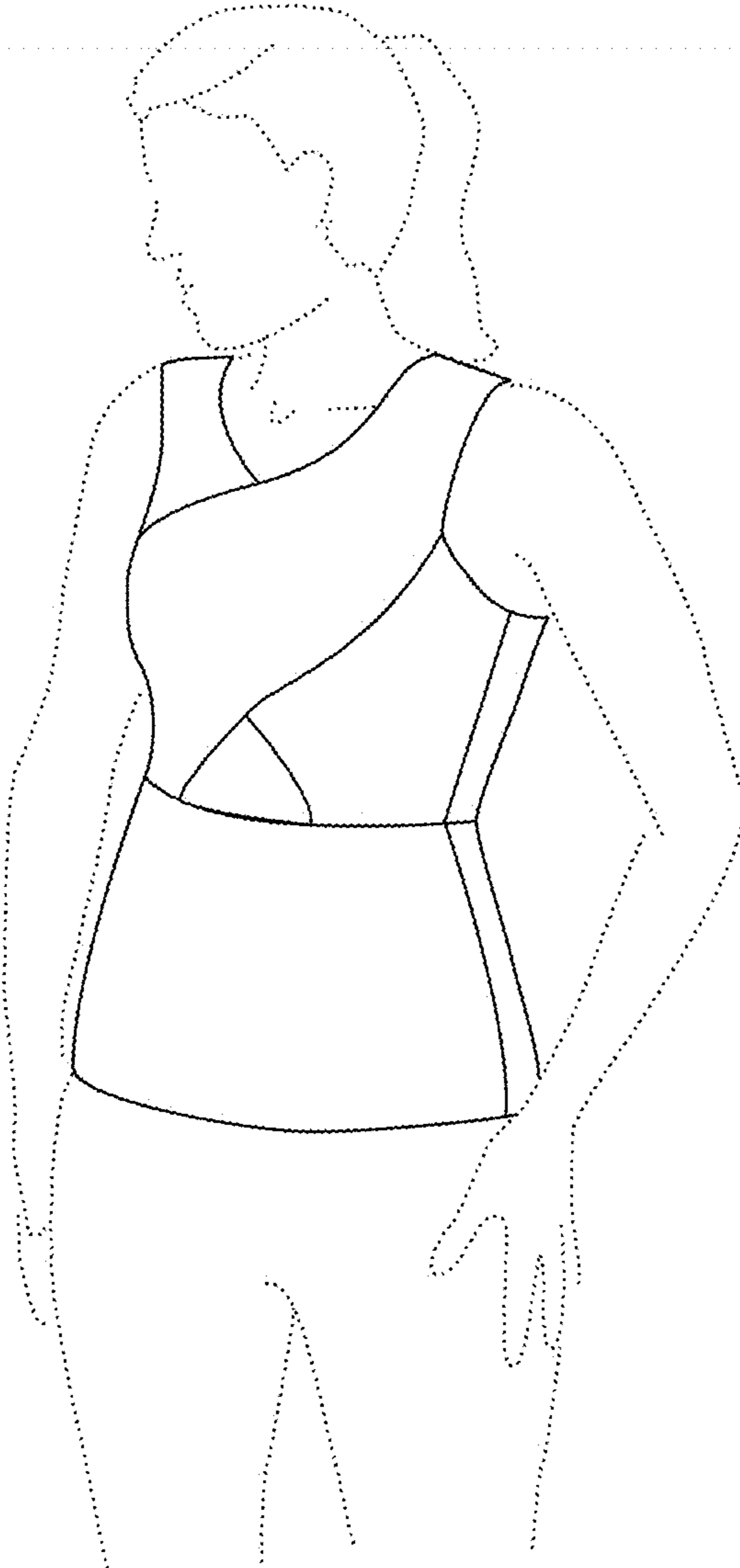


Fig 7



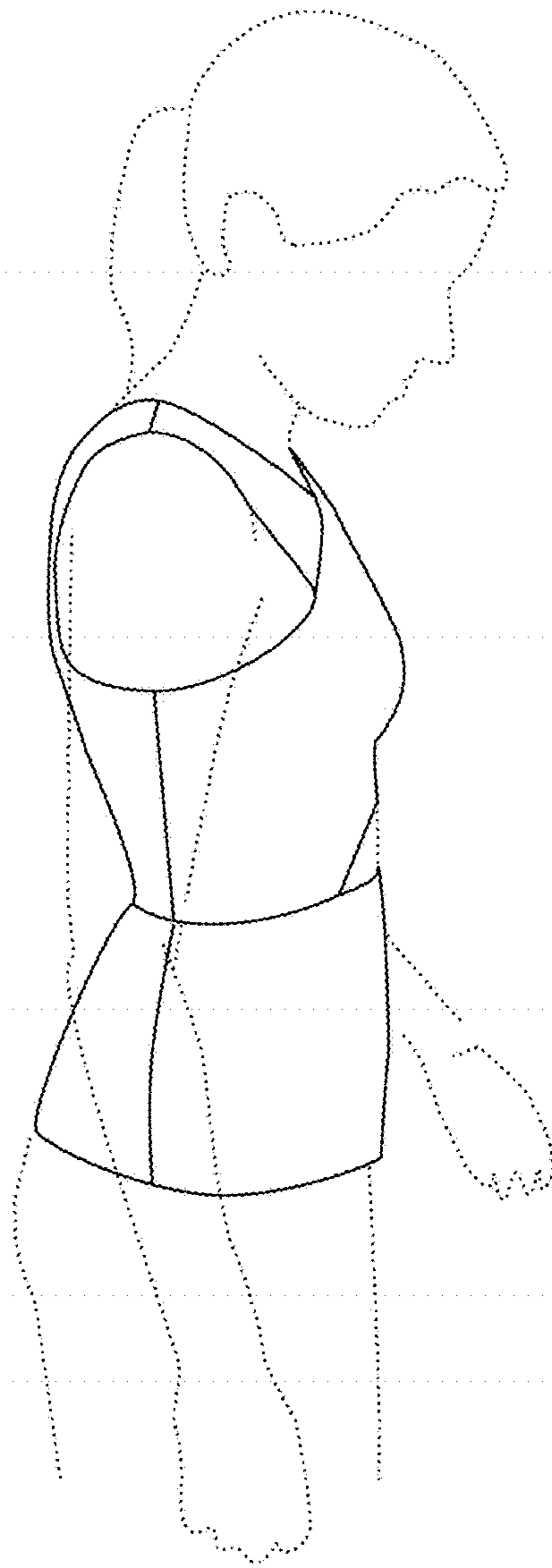


Fig 8

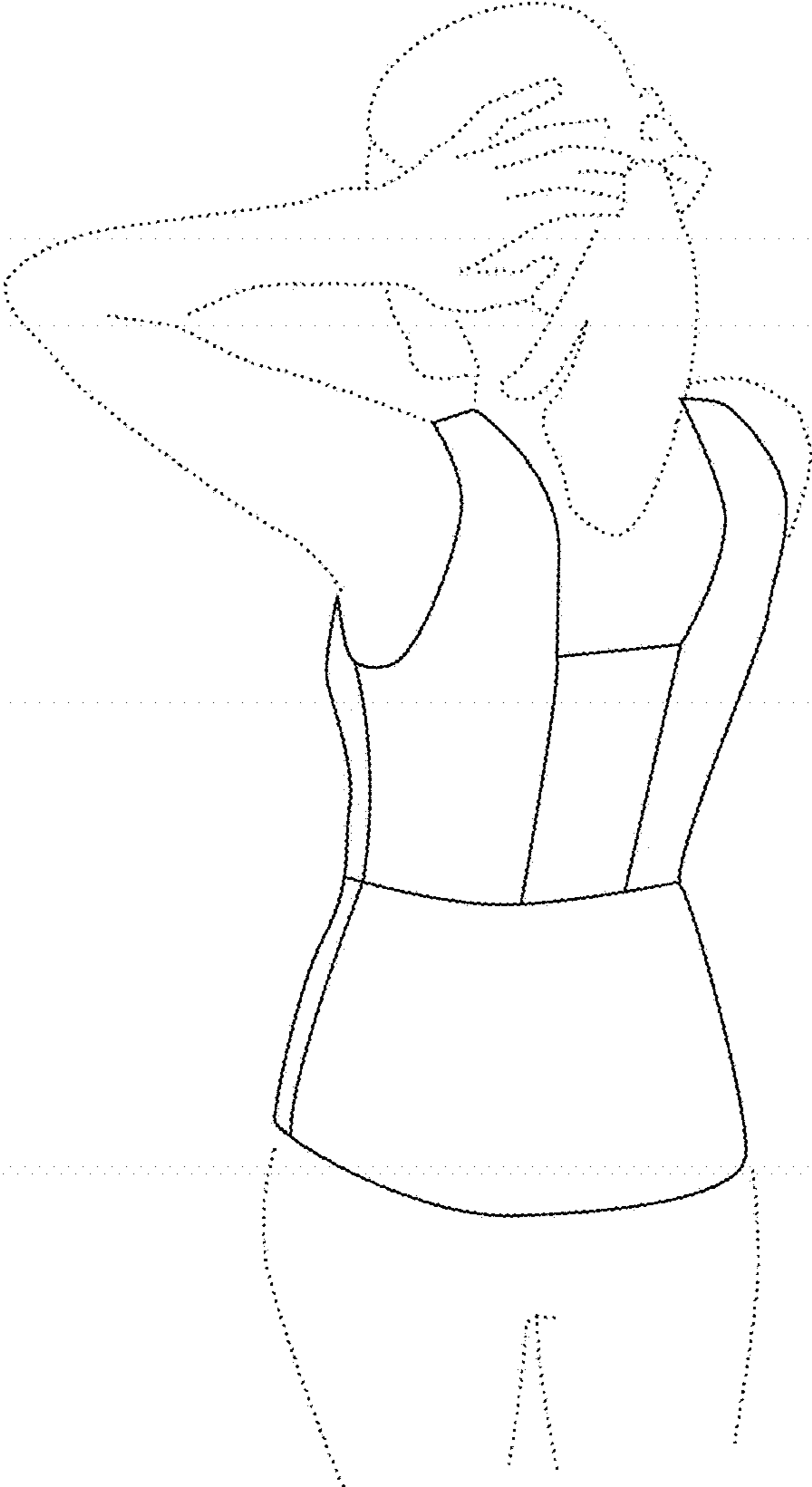


Fig 9

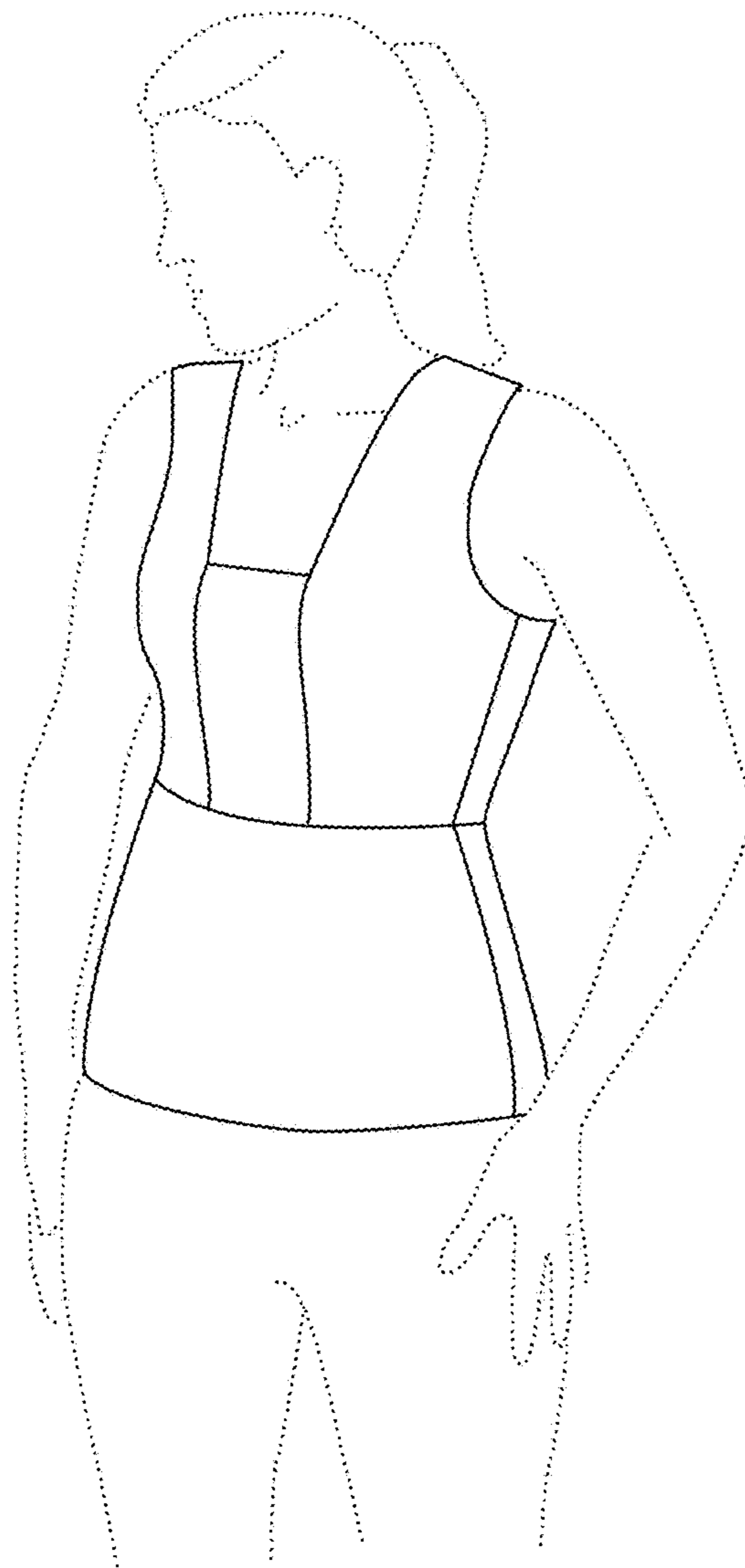


Fig 10

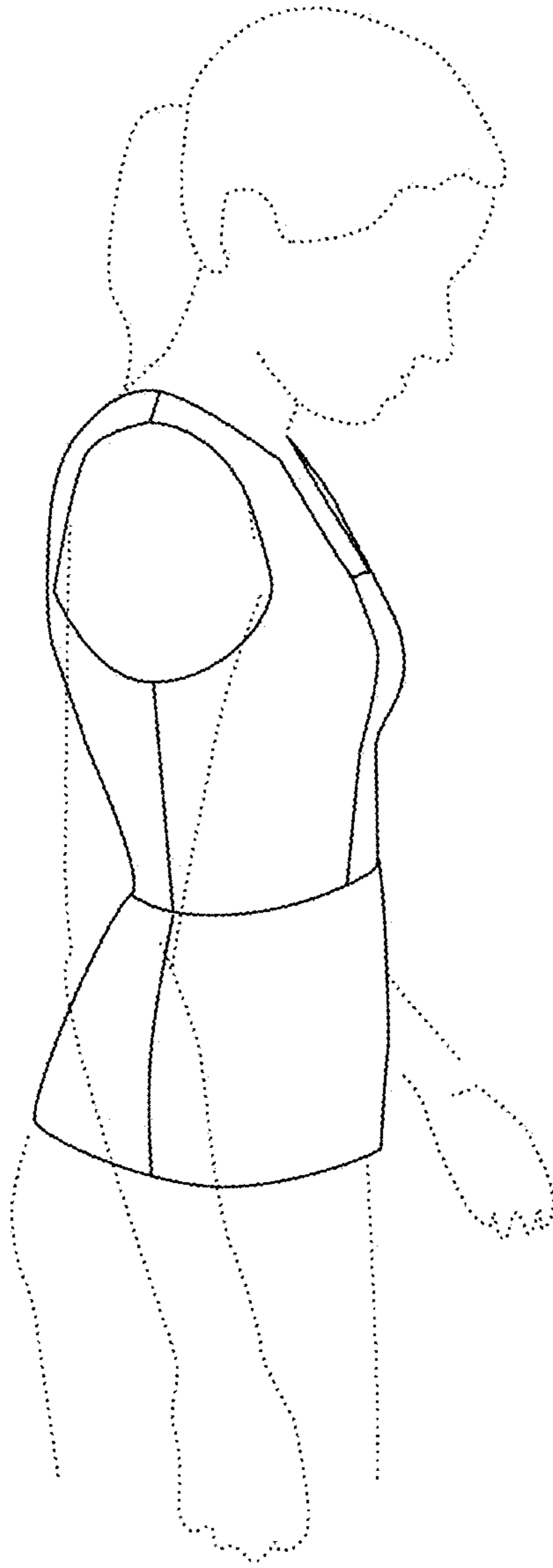


Fig 11

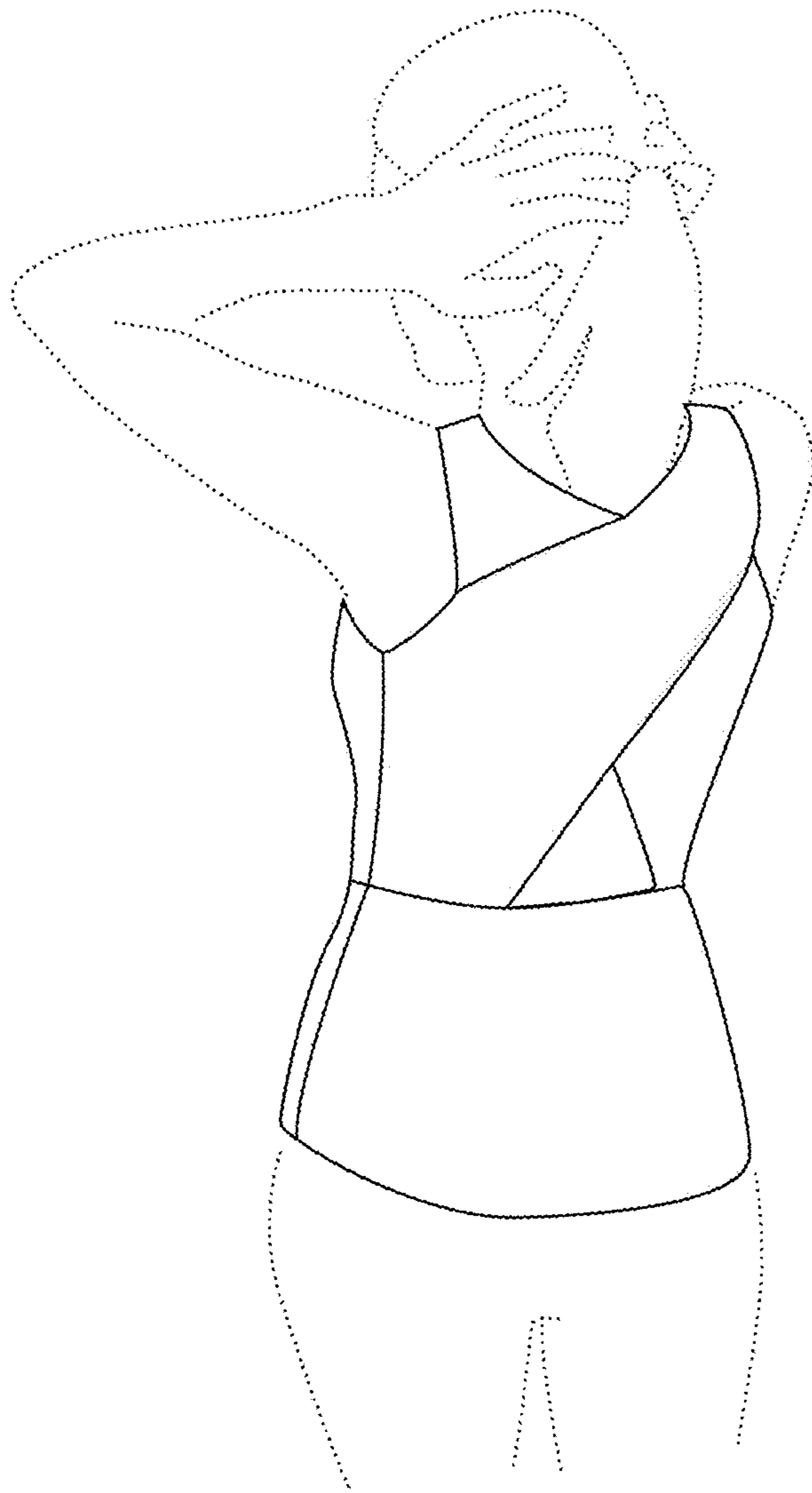


Fig 12