

US00D773151S

(12) **United States Design Patent** (10) **Patent No.:** **US D773,151 S**
Lauro (45) **Date of Patent:** **** Dec. 6, 2016**

(54) **WAIST WRAP-AROUND GARMENT WITH POCKETS**

(71) Applicant: **Sal T. Lauro**, Rancho Palos Verdes, CA (US)

(72) Inventor: **Sal T. Lauro**, Rancho Palos Verdes, CA (US)

(**) Term: **14 Years**

(21) Appl. No.: **29/516,703**

(22) Filed: **Feb. 5, 2015**

(51) **LOC (10) Cl.** **02-02**

(52) **U.S. Cl.**
USPC **D2/728**

(58) **Field of Classification Search**
USPC D2/728, 740, 823, 826, 860-864; 2/46, 2/48, 49.1, 49.2, 49.4, 50-52, 69
CPC A41D 13/04; A41D 27/20; A45F 3/14
See application file for complete search history.

(56) **References Cited**

U.S. PATENT DOCUMENTS

D118,418 S *	1/1940	Picken	2/48
D135,807 S *	6/1943	Koehler	D2/862
2,683,880 A	7/1954	Krigbaum		
2,912,698 A	11/1959	Greenblatt		
4,125,902 A	11/1978	Frank		
D396,543 S	8/1998	Owen		
D409,821 S *	5/1999	Holcombe	D2/860
D414,645 S	10/1999	Cooper		

D478,408 S	8/2003	Nettles		
D557,967 S	12/2007	Grant		
D576,379 S *	9/2008	Najarian	D2/864
D579,634 S	11/2008	Martone		
D592,830 S	5/2009	Whiteside		
D664,327 S	7/2012	Lauro		
D747,854 S *	1/2016	Grant	D2/864
D757,399 S *	5/2016	Kalfas	D2/864
2003/0014804 A1	1/2003	Morales		
2006/0218690 A1	10/2006	James		
2007/0006360 A1	1/2007	Walker		
2008/0115250 A1	5/2008	Tousant		
2008/0208149 A1	8/2008	Vasquez		
2010/0071110 A1	3/2010	Stevens		

* cited by examiner

Primary Examiner — Catheri Oliver-Garcia

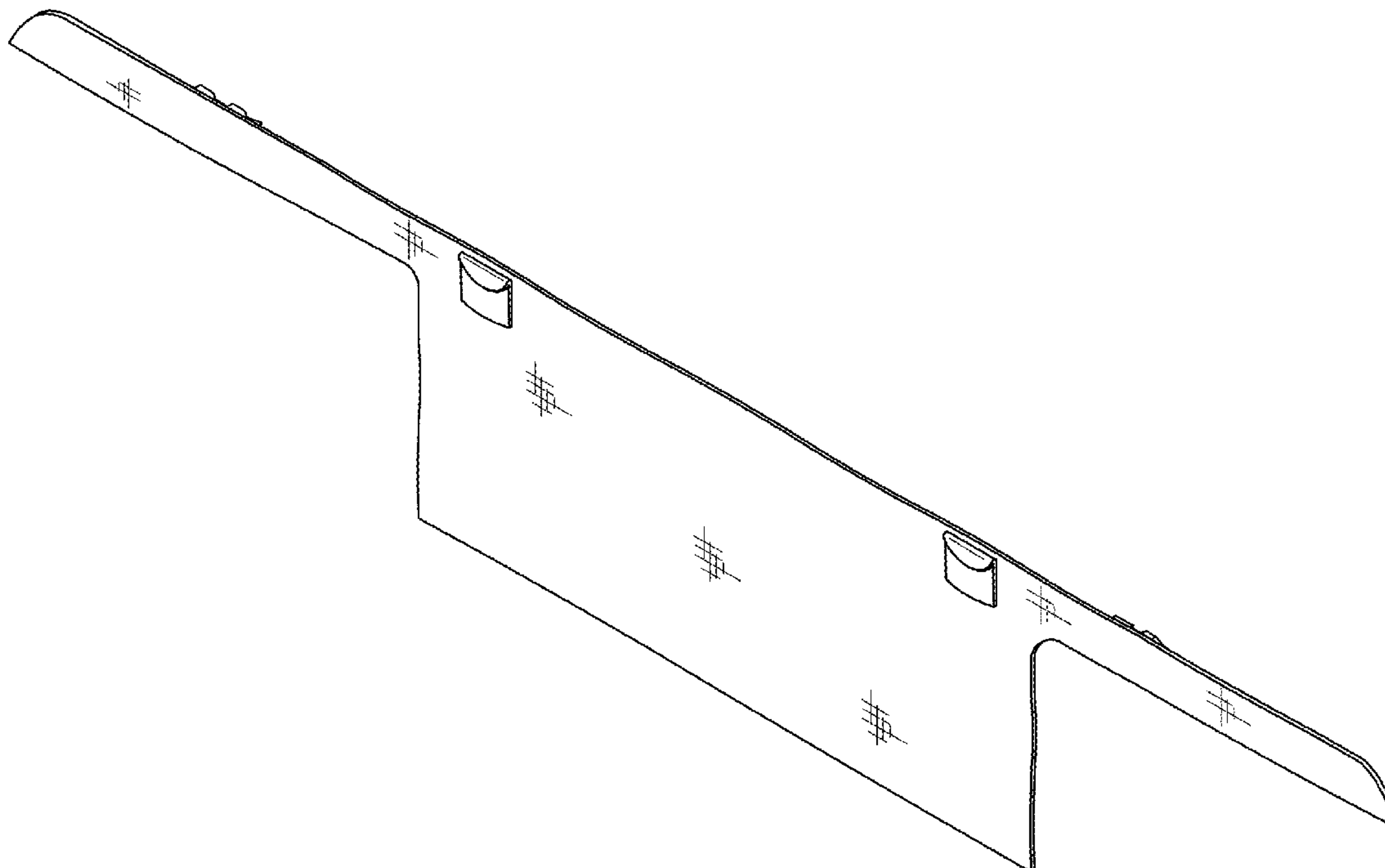
(57) **CLAIM**

The ornamental design for a waist wrap-around garment with pockets, as shown and described.

DESCRIPTION

FIG. 1 is a perspective front view of a waist wrap-around garment with pockets showing my new design;
FIG. 2 is a front view thereof;
FIG. 3 is a back view thereof;
FIG. 4 is a side view thereof,
FIG. 5 is the opposite side view thereof;
FIG. 6 is a top view thereof; and,
FIG. 7 is a bottom view thereof.

1 Claim, 4 Drawing Sheets



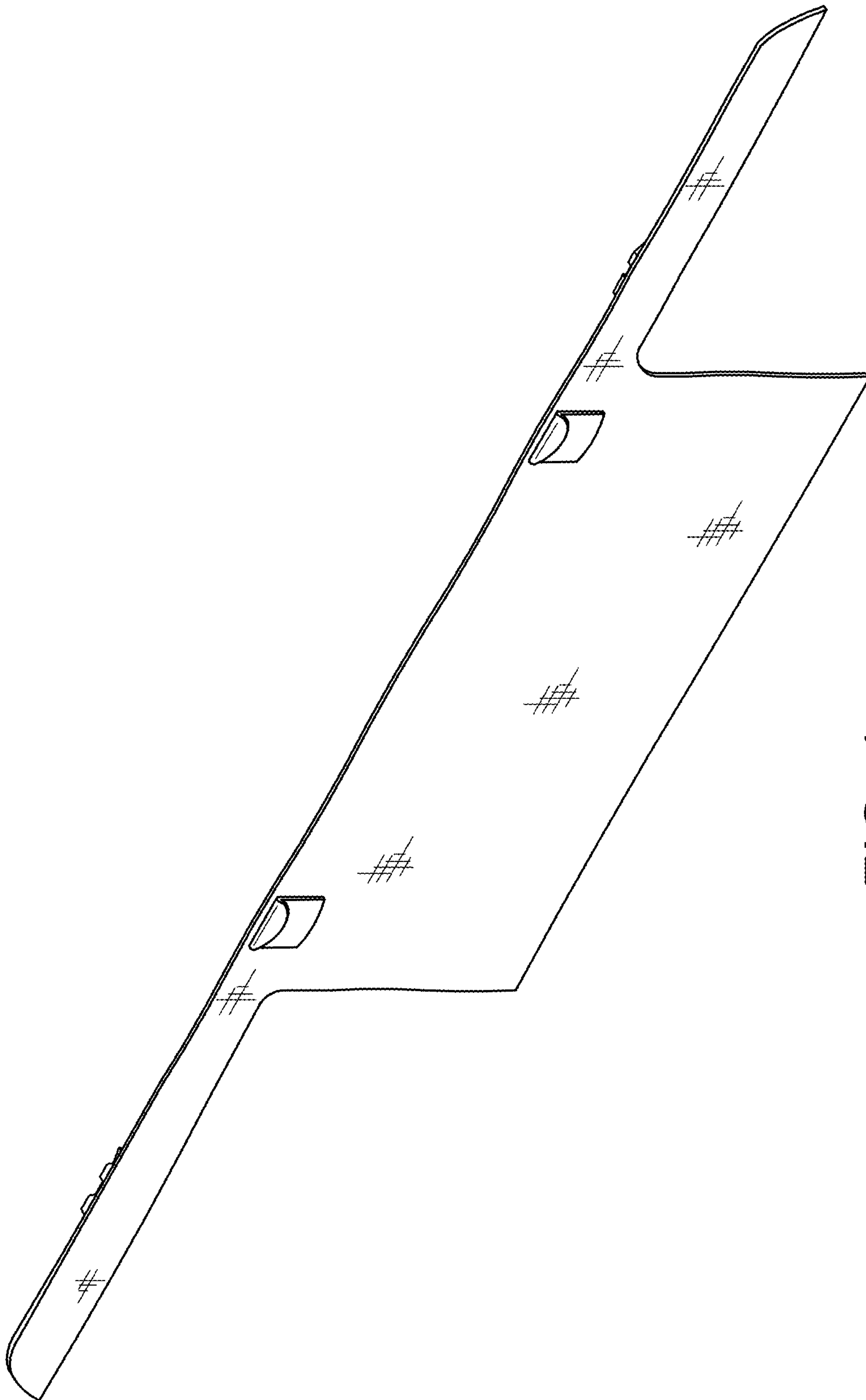


FIG. 1

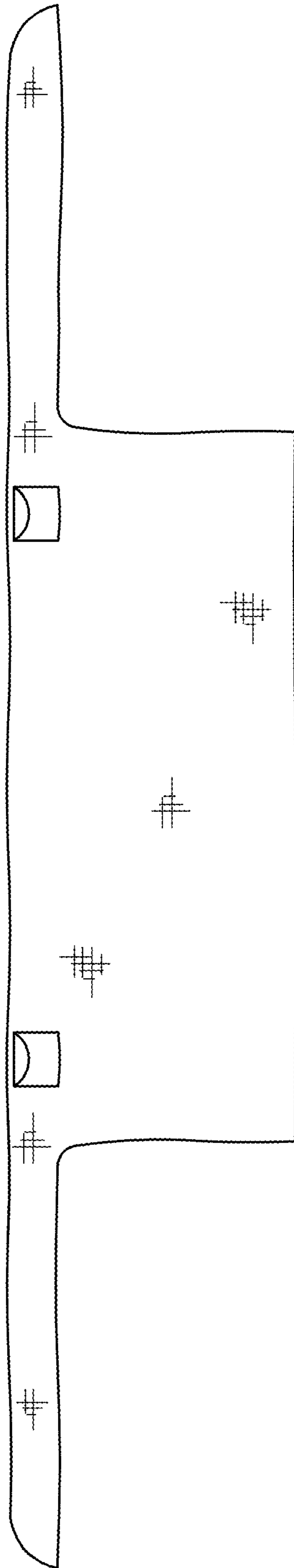


FIG. 2

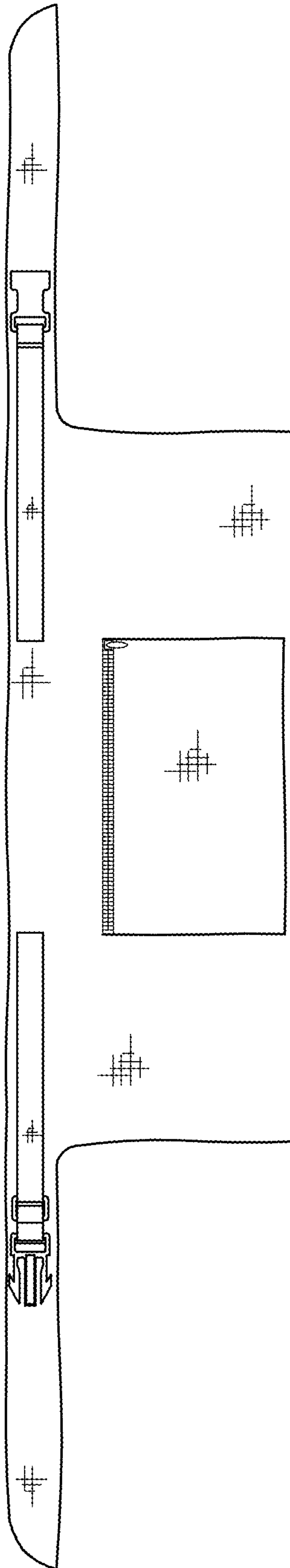


FIG. 3



FIG. 4 FIG. 5



FIG. 6

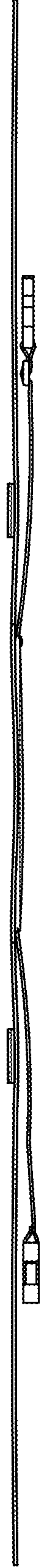


FIG. 7