



US00D773148S

(12) **United States Design Patent** (10) **Patent No.:** **US D773,148 S**
Cohen (45) **Date of Patent:** **** Dec. 6, 2016**

- (54) **HOSIERY DONNING DEVICE**
- (71) Applicant: **Assistive Design Concepts LLC**,
Raleigh, NC (US)
- (72) Inventor: **Alan Cohen**, Cary, NC (US)
- (73) Assignee: **Assistive Design Concepts LLC**,
Raleigh, NC (US)
- (**) Term: **14 Years**
- (21) Appl. No.: **29/481,386**
- (22) Filed: **Feb. 5, 2014**
- (51) **LOC (10) Cl.** **07-99**
- (52) **U.S. Cl.**
USPC **D2/641**
- (58) **Field of Classification Search**
USPC D2/624, 625, 641, 642, 999
CPC A61F 11/02; A61F 11/18; A43B 11/00;
A43B 11/02; A47G 25/82; A47G 25/84;
A47G 25/86; A47G 25/90; A47G 25/905;
A47G 25/908
See application file for complete search history.

- (56) **References Cited**
U.S. PATENT DOCUMENTS
785,045 A * 3/1905 McDonald 223/115
1,116,797 A * 11/1914 Carmichael et al. 223/113
1,389,525 A 8/1921 Mosby
2,019,340 A * 10/1935 De Witt 12/116.6
2,939,618 A * 6/1960 Mangels 223/113
3,501,073 A 3/1970 Breithor
3,800,789 A 4/1974 Schloss

4,709,839	A *	12/1987	Tucker	223/119
5,151,081	A	9/1992	Williams		
D365,913	S *	1/1996	Ballard	D2/641
5,603,692	A	2/1997	Maxwell		
5,655,693	A *	8/1997	Engelman et al.	223/119
5,776,090	A	7/1998	Bergmann		
6,695,182	B1	2/2004	Shrewsbury		
7,337,933	B1	3/2008	Klinberg		
D586,079	S *	2/2009	Ellingson	D2/641
D634,916	S *	3/2011	Peterson et al.	D2/642
D725,345	S *	3/2015	Davis	D2/641
2007/0187441	A1	8/2007	Klinberg		
2014/0008400	A1*	1/2014	Hoffman	223/111
2014/0151412	A1*	6/2014	Cohen	223/111
2015/0083761	A1*	3/2015	Clifton	223/118

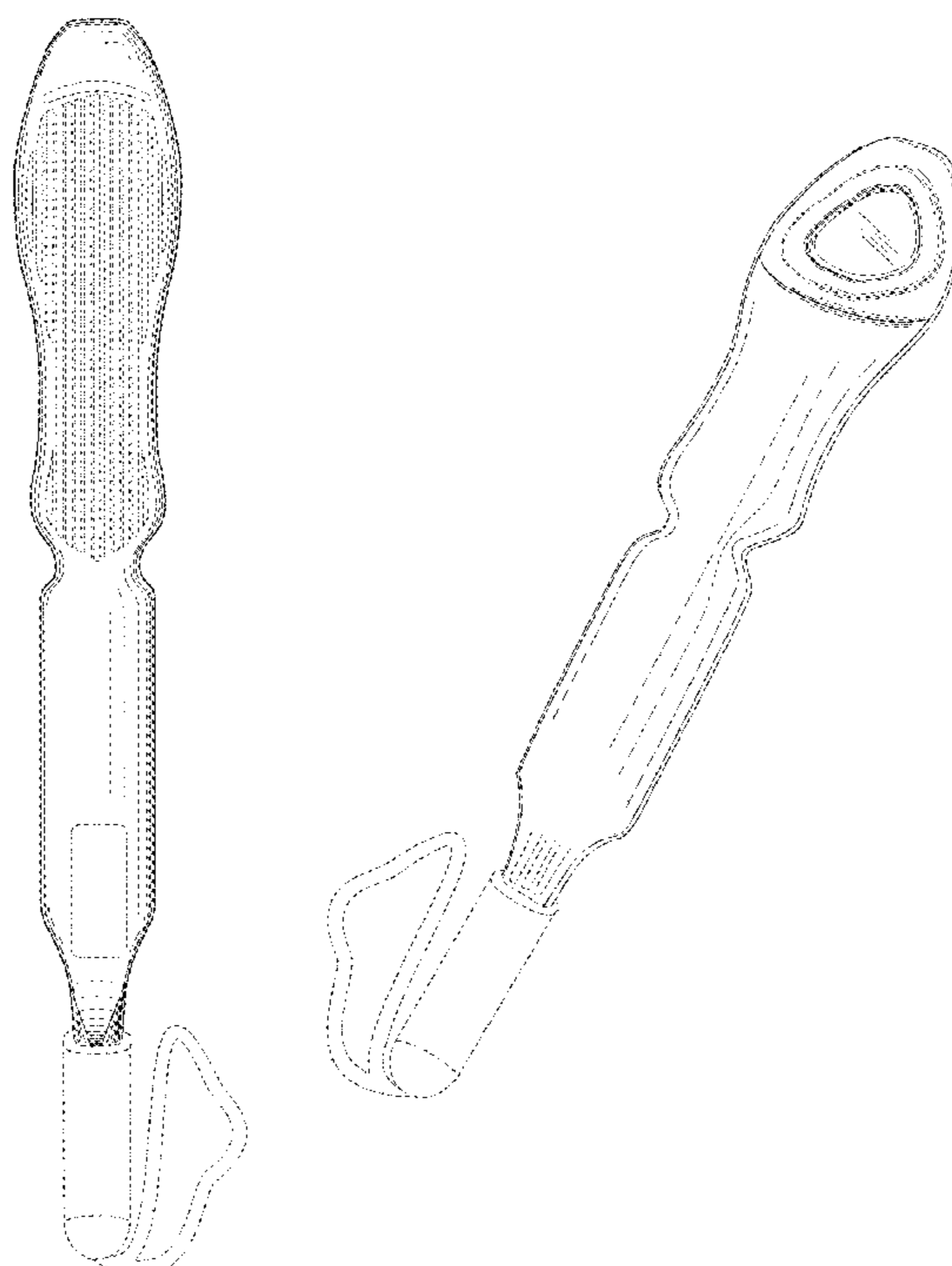
* cited by examiner

Primary Examiner — Karen E. Eldridge Powers
Assistant Examiner — Jasmine Mlinarcik
(74) *Attorney, Agent, or Firm* — Sorell, Lenna & Schmidt LLP

(57) **CLAIM**
The ornamental design for a hosiery donning device, as shown and described.

DESCRIPTION
FIG. 1 is a front elevation view of a hosiery donning device; FIG. 2 is a rear elevation view thereof; FIG. 3 is a left side elevation view thereof; FIG. 4 is a right side elevation view thereof; and, FIG. 5 is a perspective view thereof.
The broken line showing of features of the article of manufacture is for the purpose of illustrating environmental structure and forms no part of the claimed design.

1 Claim, 3 Drawing Sheets



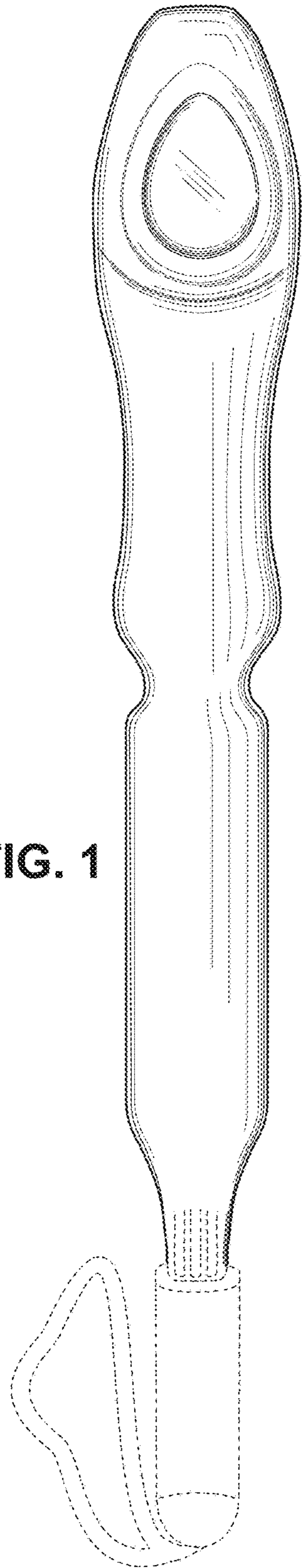


FIG. 1

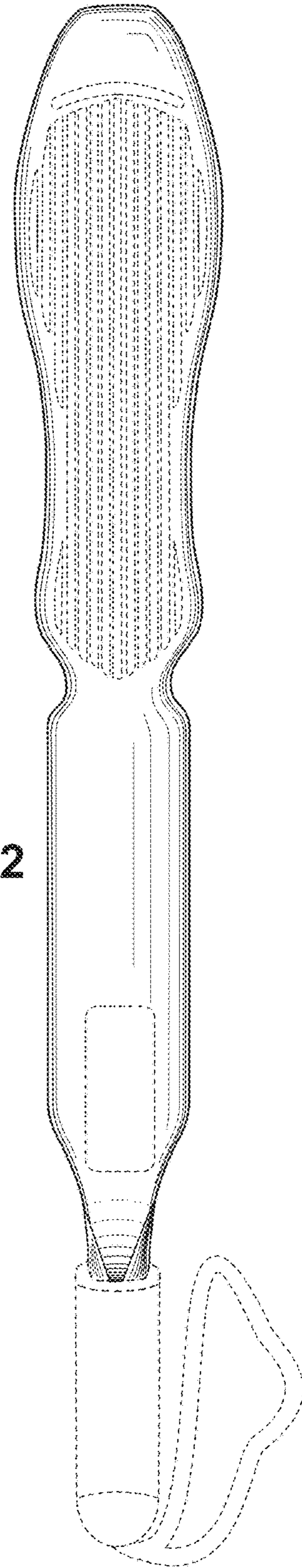


FIG. 2

FIG. 3

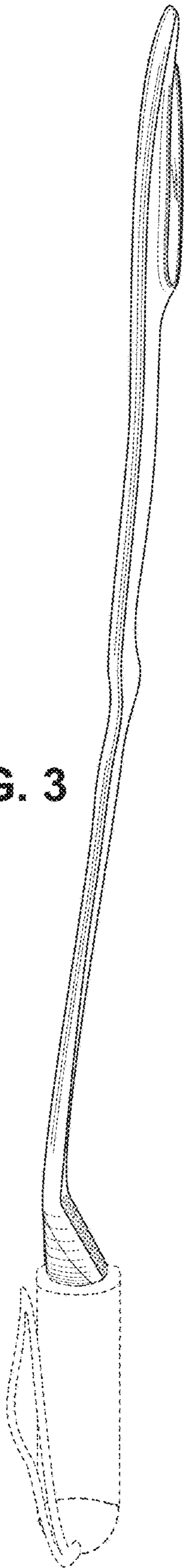
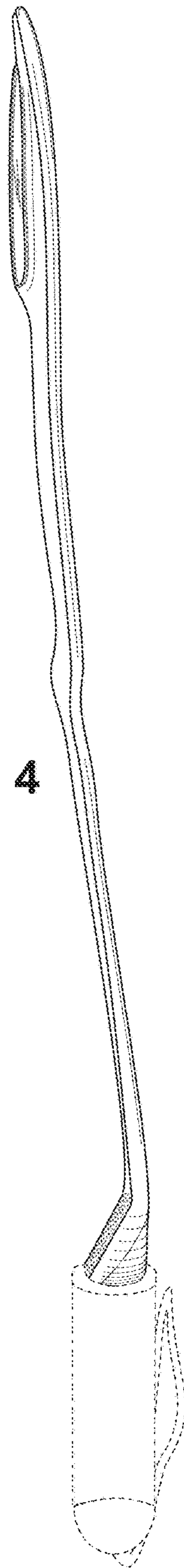


FIG. 4



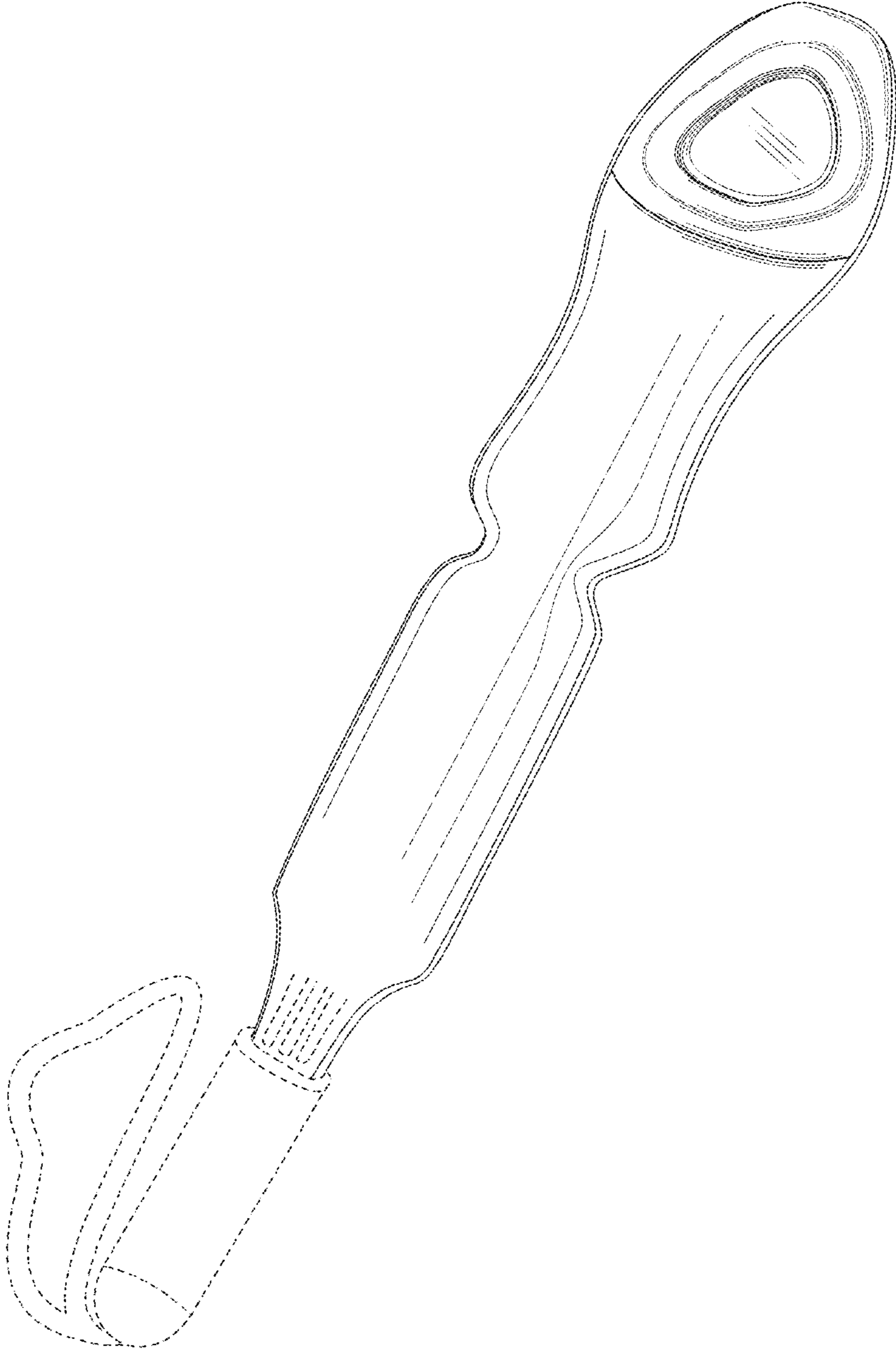


FIG. 5