



US00D773147S

(12) **United States Design Patent**  
**Storey**

(10) **Patent No.:** **US D773,147 S**

(45) **Date of Patent:** **\*\* Nov. 29, 2016**

- (54) **MEMORIAL MARKER**
- (71) Applicant: **James Storey**, Newcastle, OK (US)
- (72) Inventor: **James Storey**, Newcastle, OK (US)
- (\*\*) Term: **14 Years**
- (21) Appl. No.: **29/514,203**
- (22) Filed: **Jan. 9, 2015**
- (51) **LOC (10) Cl.** ..... **25-03**
- (52) **U.S. Cl.**  
USPC ..... **D99/18**
- (58) **Field of Classification Search**  
USPC ..... D99/8, 17, 18, 19, 20, 25; D11/143,  
D11/155; D34/38; D7/552.2; 40/124.5, 781,  
40/203, 653; 52/102, 103, 104, 38  
CPC ..... A61G 17/00  
See application file for complete search history.

(56) **References Cited**

U.S. PATENT DOCUMENTS

- D7,781 S \* 9/1874 Rank ..... D99/20
- 207,155 A \* 8/1878 Bassett ..... A01G 1/08  
52/102
- 257,859 A \* 5/1882 Gent ..... A01G 1/08  
52/102
- D25,040 S \* 1/1896 Healey ..... D11/155
- D55,064 S \* 5/1920 Lutz ..... D99/20
- 1,425,361 A \* 8/1922 Beroud ..... E04H 13/003  
312/284
- 1,596,206 A \* 8/1926 Mayer ..... G09F 3/12  
40/653
- 1,851,710 A \* 3/1932 Lefevre ..... A01G 9/20  
47/33
- 1,892,745 A \* 1/1933 Bolich ..... B42D 19/00  
359/806
- 1,963,804 A \* 6/1934 Powell ..... E04H 13/00  
206/423
- 1,983,807 A \* 12/1934 Norman ..... E04H 13/00  
40/124.5
- D108,211 S \* 2/1938 Majewski, Jr. .... 47/41.01
- 2,115,868 A \* 5/1938 McIntosh ..... E04H 13/003  
405/284
- D113,536 S \* 2/1939 Florig ..... D99/19
- 2,146,784 A \* 2/1939 Wilson ..... A01G 1/08  
256/21

- 3,082,559 A \* 3/1963 Davis ..... E04H 13/003  
40/124.5
- 3,267,883 A \* 8/1966 Vissers ..... B65D 19/0018  
108/53.3
- 3,378,942 A \* 4/1968 Diamond ..... E04H 13/003  
40/124.5
- D217,861 S \* 6/1970 Bartee ..... D34/38
- 3,517,828 A \* 6/1970 Hunter ..... A47B 87/0215  
206/392
- 3,619,944 A \* 11/1971 Matvey ..... A01G 1/08  
47/33
- D229,486 S \* 12/1973 Roper ..... 108/53.1
- 4,317,309 A \* 3/1982 Sheldon ..... A01G 1/08  
27/1
- 4,733,547 A \* 3/1988 Honda ..... D06F 33/02  
68/12.05
- D297,478 S \* 8/1988 Taylor ..... D99/18
- 4,922,653 A \* 5/1990 Stone ..... A01G 29/00  
47/45
- 6,925,740 B2 \* 8/2005 Shannon ..... G09F 19/00  
40/124.5
- D636,965 S \* 4/2011 Stiles ..... D99/17
- D690,073 S \* 9/2013 Murphy ..... D99/17
- D693,534 S \* 11/2013 Hooke, III ..... D99/17
- 2010/0186292 A1 \* 7/2010 Hall ..... A01G 1/08  
47/33

\* cited by examiner

*Primary Examiner* — Paula Greene

(74) *Attorney, Agent, or Firm* — Hall Estill Attorneys at Law

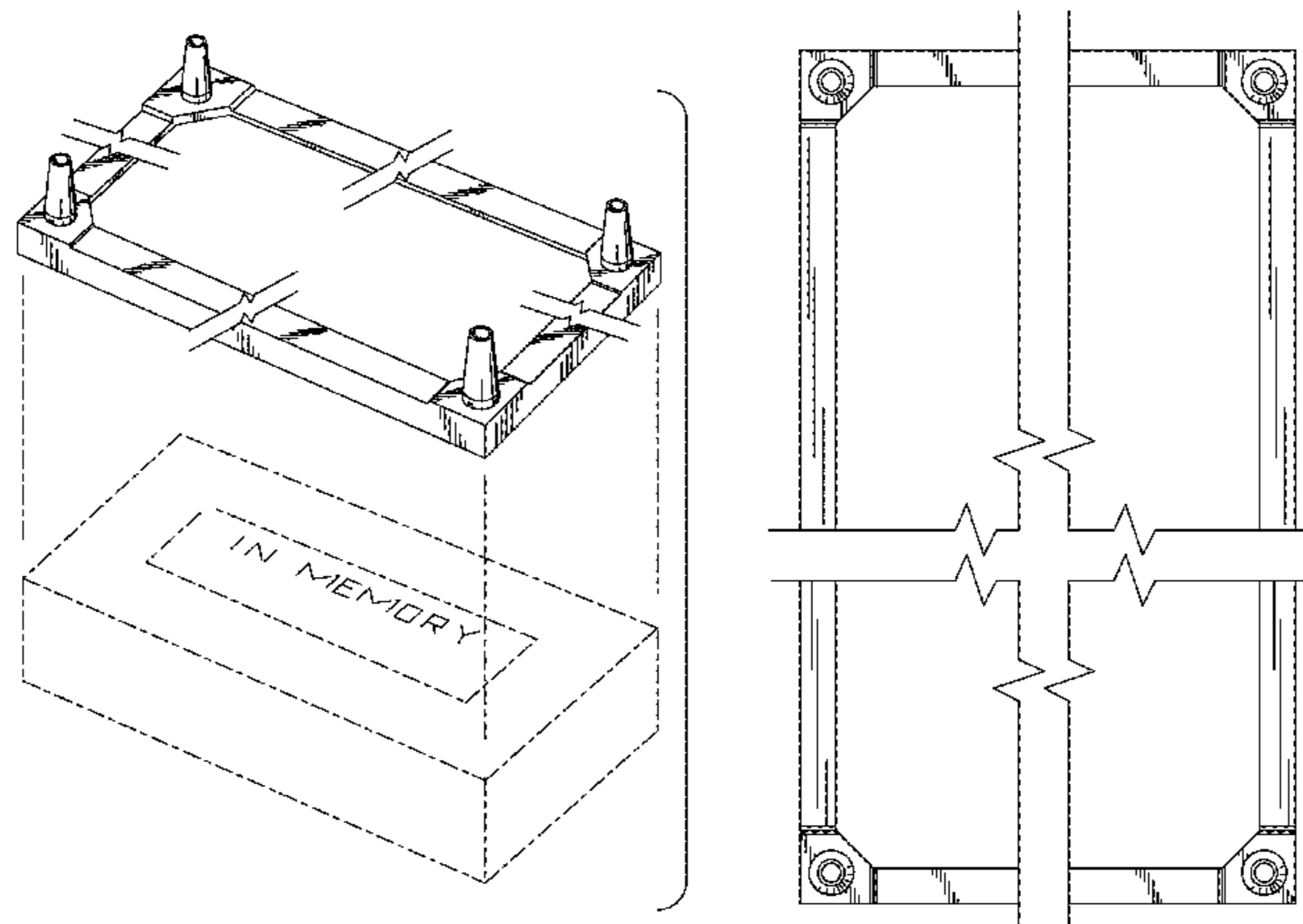
(57) **CLAIM**

The ornamental design for a memorial marker, as shown and described.

**DESCRIPTION**

FIG. 1 is a perspective view of my ornamental design for a memorial marker;  
 FIG. 2 is a top view thereof;  
 FIG. 3 is a bottom view thereof;  
 FIG. 4 is a front elevational view thereof, a rear being identical to the front; and,  
 FIG. 5 is a right side elevational view thereof; a left side being identical to the right side.  
 The broken lines immediately adjacent the shaded areas represent the bounds of the claimed design while all other broken lines are directed to environment and are for illustrative purposes only; the broken lines form no part of the claimed design.

**1 Claim, 4 Drawing Sheets**



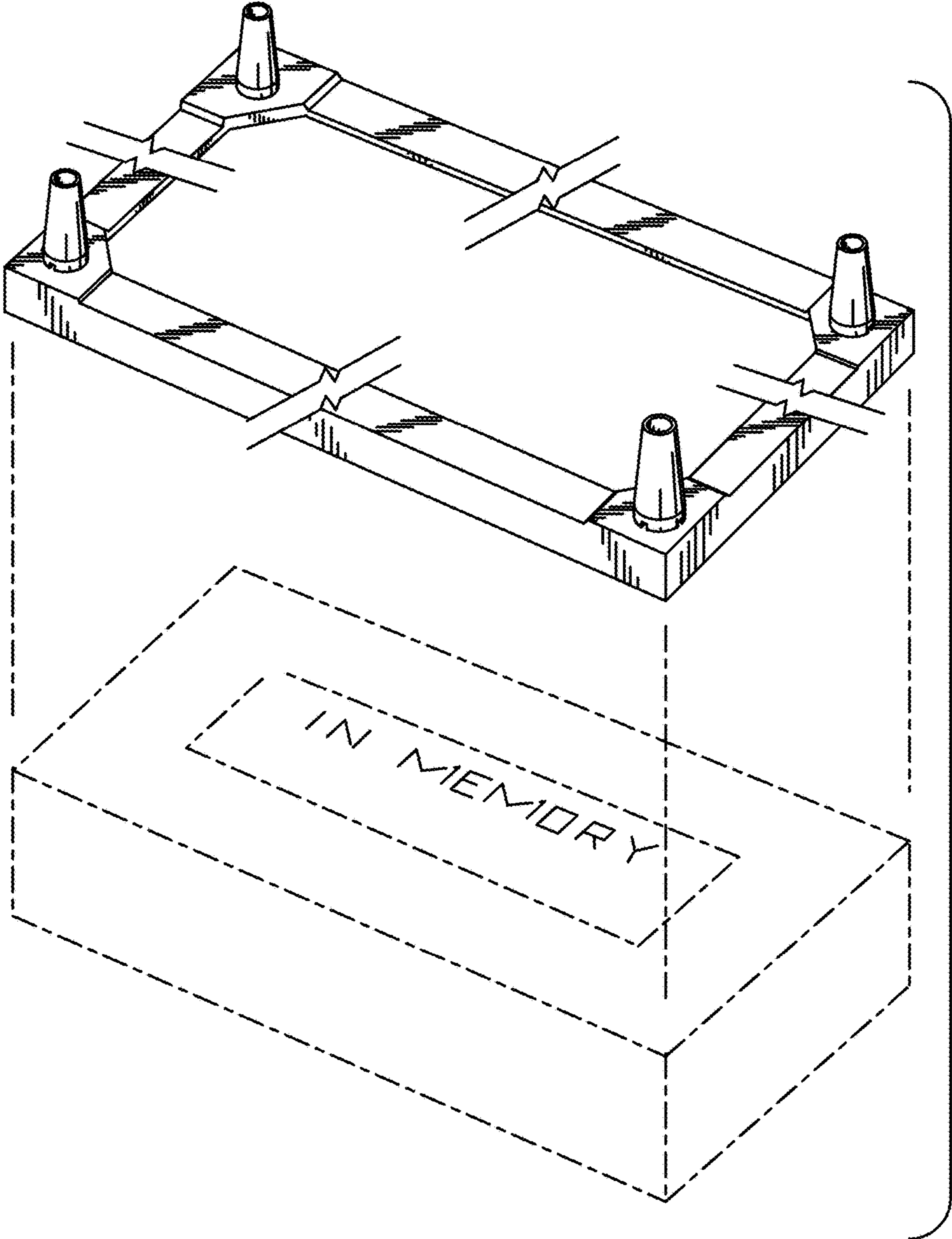


FIG. 1

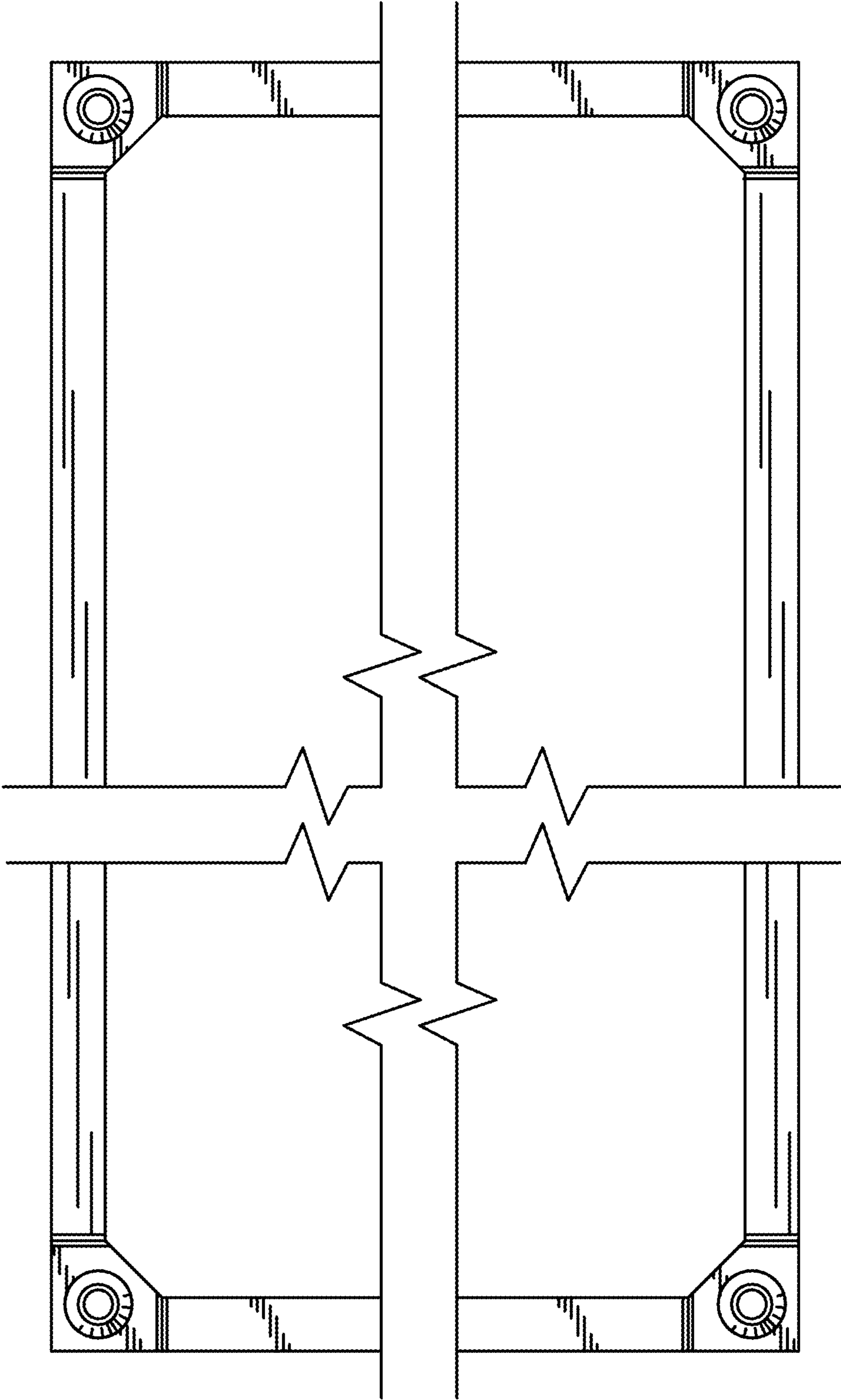


FIG. 2

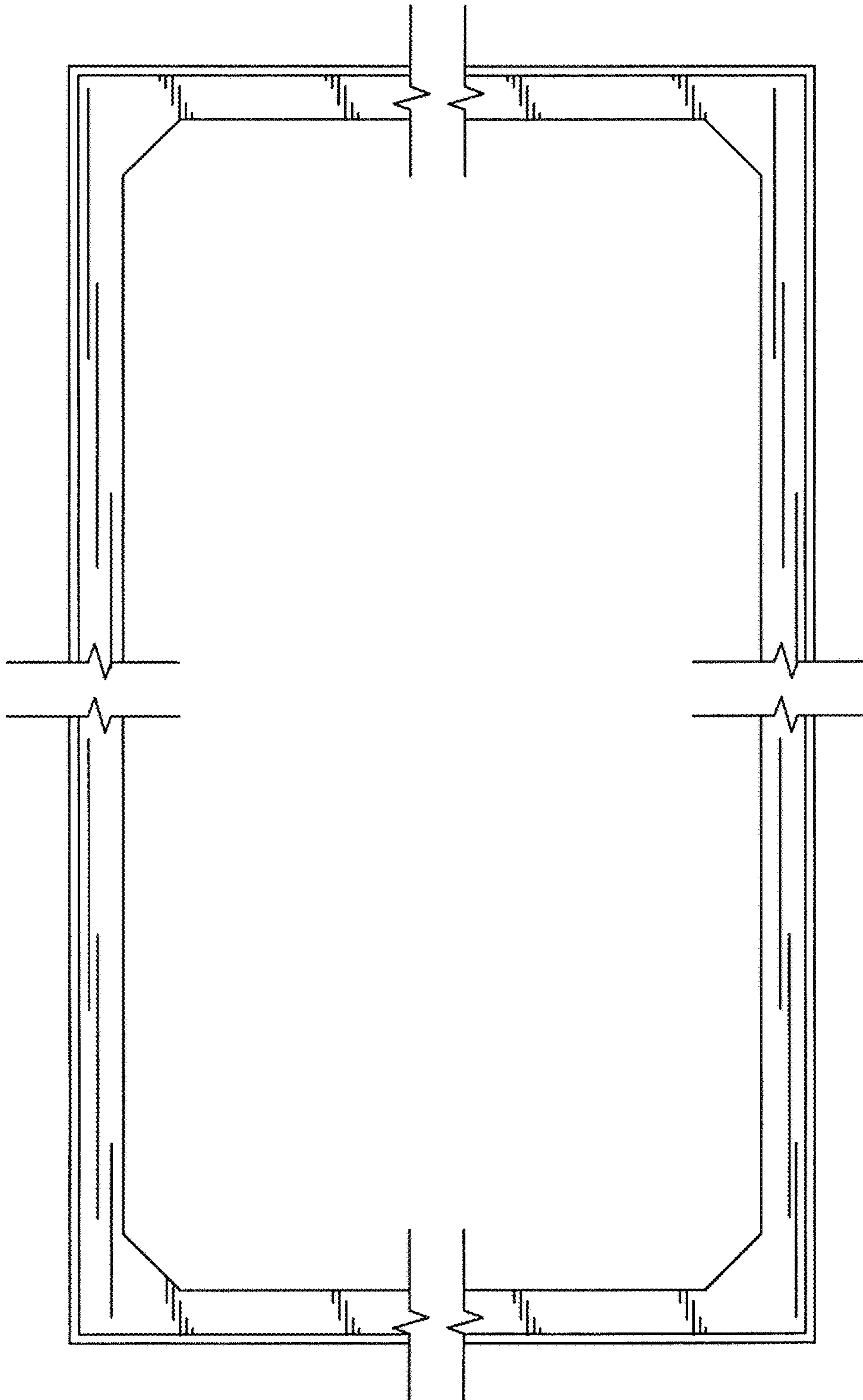


FIG. 3

