



US00D773146S

(12) **United States Design Patent**
Sauvaget

(10) **Patent No.:** **US D773,146 S**

(45) **Date of Patent:** **** Nov. 29, 2016**

(54) **BOOM LIFT**

(71) Applicant: **HAULOTTE GROUP, L'Horme (FR)**

(72) Inventor: **Thierry Sauvaget, Toussieu (FR)**

(73) Assignee: **HAULOTTE GROUP, L'Horme (FR)**

(**) Term: **14 Years**

(21) Appl. No.: **29/500,702**

(22) Filed: **Aug. 27, 2014**

(30) **Foreign Application Priority Data**

Feb. 28, 2014 (FR) 20141059

(51) **LOC (10) Cl.** **12-05**

(52) **U.S. Cl.**
USPC **D34/34**

(58) **Field of Classification Search**
USPC D15/22-26; D34/33, 34, 28, 36, 37;
182/2.1
CPC E04G 3/28; B66C 23/00; B66C 23/78;
B66F 11/04; B66F 11/046; B62D 21/186;
B62D 21/18

See application file for complete search history.

(56) **References Cited**

U.S. PATENT DOCUMENTS

- D227,091 S * 6/1973 Grove et al. D34/34
- 3,776,367 A * 12/1973 Grove B66F 11/046
182/2.11
- 3,937,340 A * 2/1976 Grove B66F 11/046
182/2.11
- D251,062 S * 2/1979 Wacht D34/34
- D251,240 S * 3/1979 Grove D34/34
- D261,127 S * 10/1981 Rallis D34/34
- D262,279 S * 12/1981 Rallis D34/34
- 4,458,780 A * 7/1984 Telfer B66F 11/046
182/2.11
- D283,072 S * 3/1986 Qureshi 182/2.1
- 4,691,805 A * 9/1987 Kishi B66F 11/046
182/2.11
- 4,754,840 A * 7/1988 MacDonald B66F 11/044
182/141

- D335,740 S * 5/1993 Fujimoto D12/14
- 5,478,192 A * 12/1995 Bentivoglio B66F 9/16
180/251
- D399,628 S * 10/1998 Smith D34/28
- 5,934,409 A * 8/1999 Citron B66C 23/78
182/17
- 6,405,114 B1 * 6/2002 Priestley B66F 11/046
182/18
- D480,529 S * 10/2003 Pini D34/34
- 8,622,170 B2 * 1/2014 Bean B66F 11/046
182/18
- 8,631,902 B2 * 1/2014 Crook B66F 11/046
182/2.1
- D756,057 S * 5/2016 Nessler D15/23
- D758,039 S * 5/2016 Nessler D15/23

* cited by examiner

Primary Examiner — Mark Goodwin

(74) *Attorney, Agent, or Firm* — Stephen J. Weyer; Stites & Harbison, PLLC

(57) **CLAIM**

The ornamental design for a boom lift, as shown.

DESCRIPTION

FIG. 1 is a back, top and left side perspective view of a boom lift showing the new design.

FIG. 2 is a front view thereof.

FIG. 3 is a top view thereof.

FIG. 4 is a left side view thereof.

FIG. 5 is a right side view thereof.

FIG. 6 is back view thereof.

FIG. 7 is a front, top and right side perspective view thereof with the boom extended.

FIG. 8 is a front, top, and right side perspective view of the cover provided on the right side thereof.

FIG. 9 is a top view thereof.

FIG. 10 is a right side view thereof.

FIG. 11 is a front view thereof.

FIG. 12 is a bottom view thereof.

FIG. 13 is a front, top, and left side perspective view of the cover provided on the left side thereof.

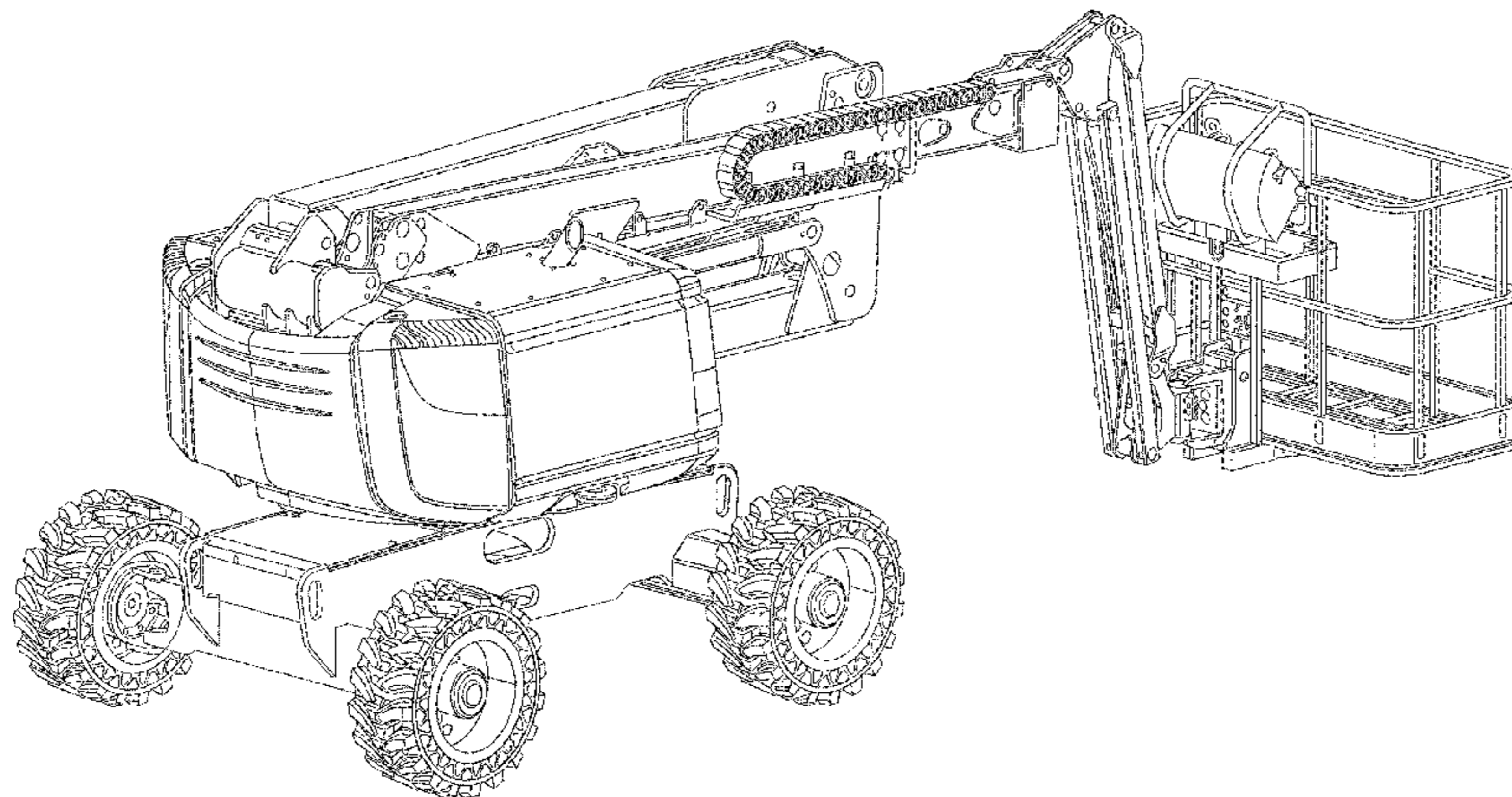
FIG. 14 is a top view thereof.

FIG. 15 is a left side view thereof.

FIG. 16 is a front view thereof; and,

FIG. 17 is a bottom view thereof.

1 Claim, 7 Drawing Sheets



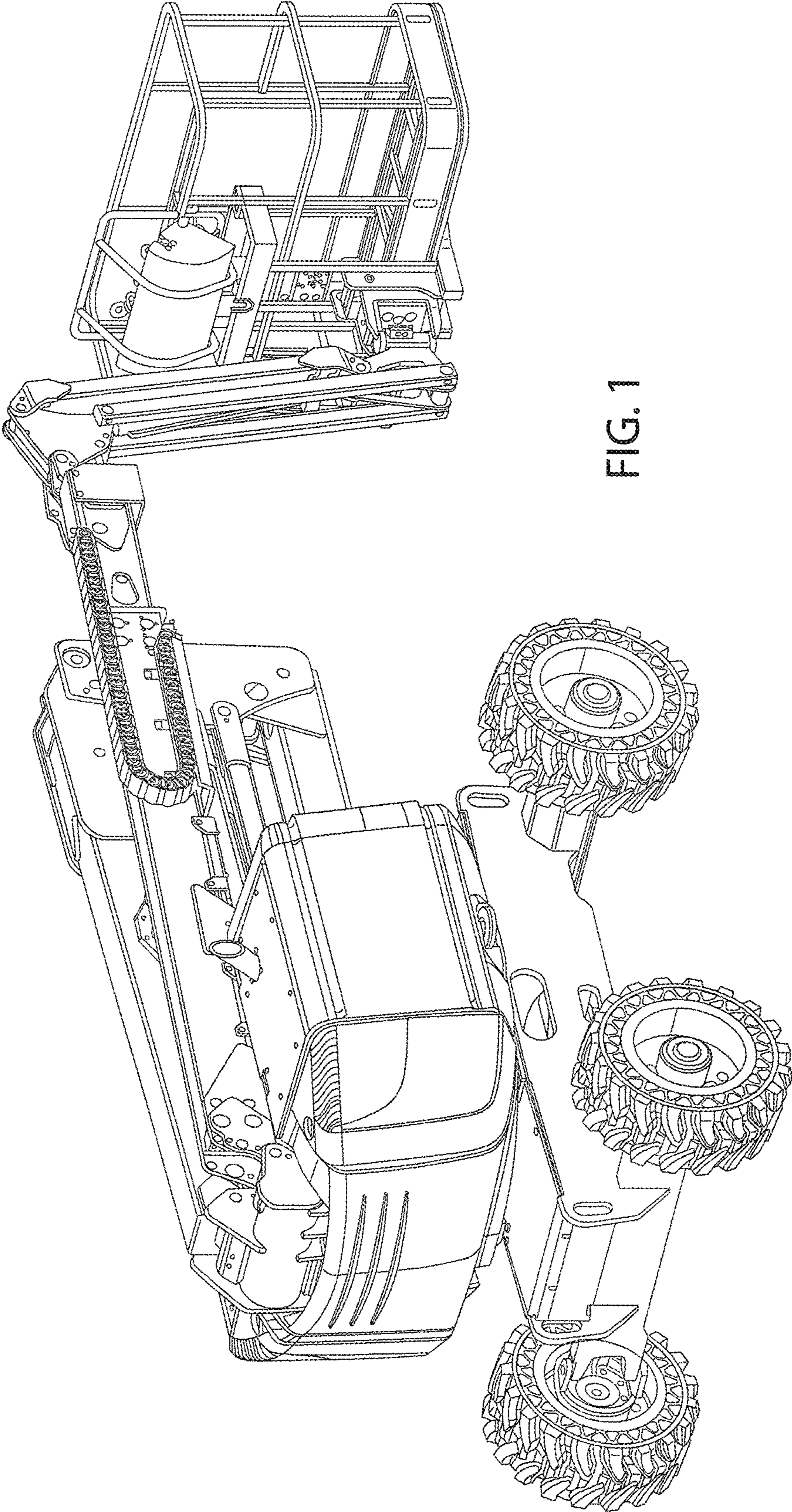


FIG. 1

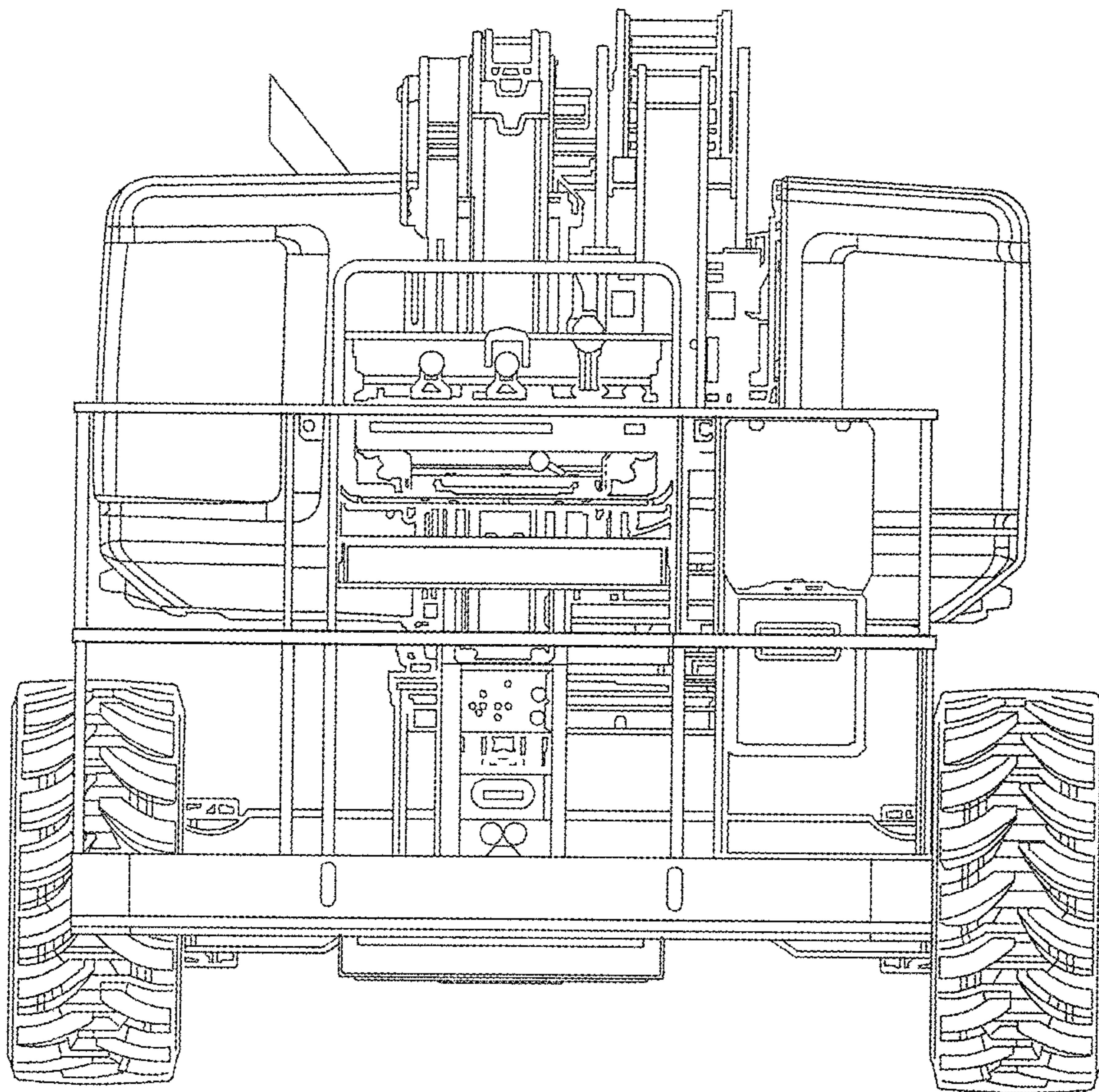


FIG. 2

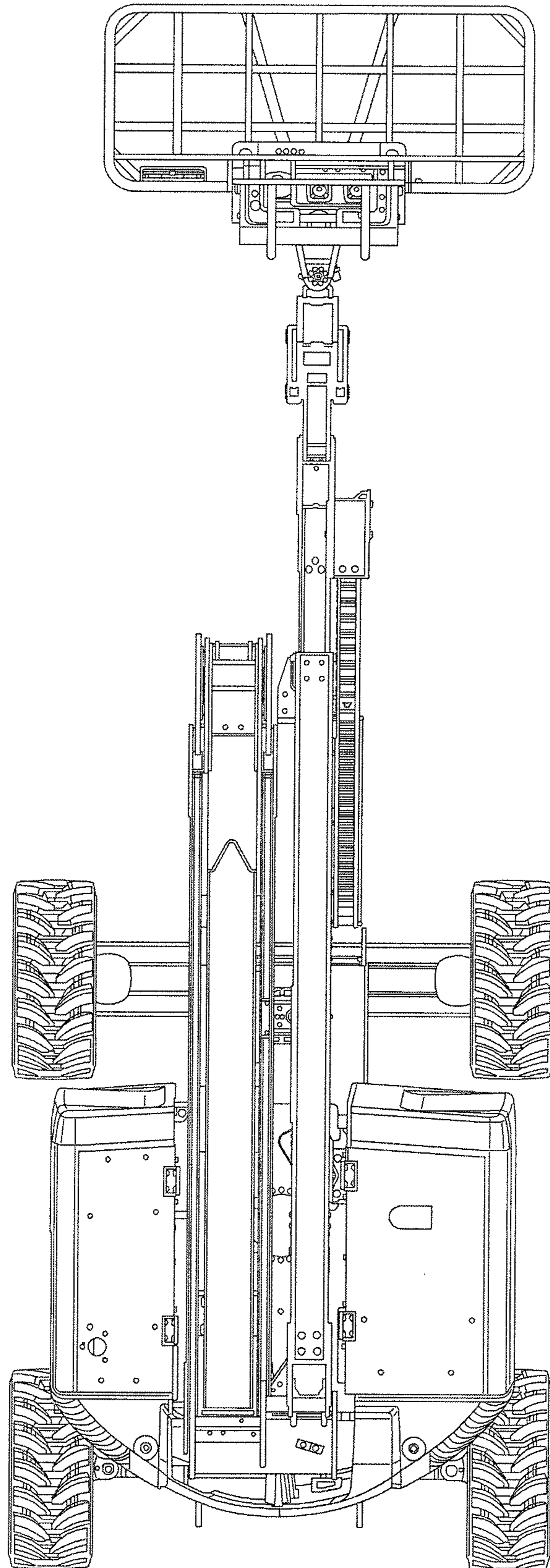


FIG. 3

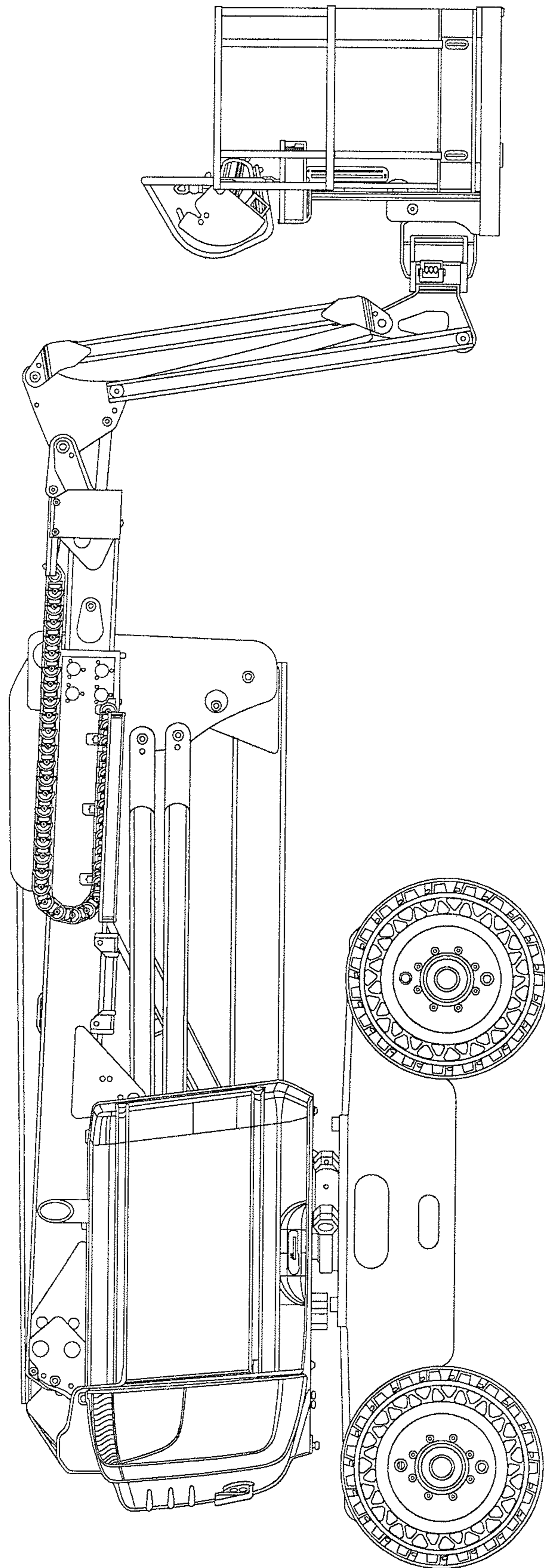


FIG. 4

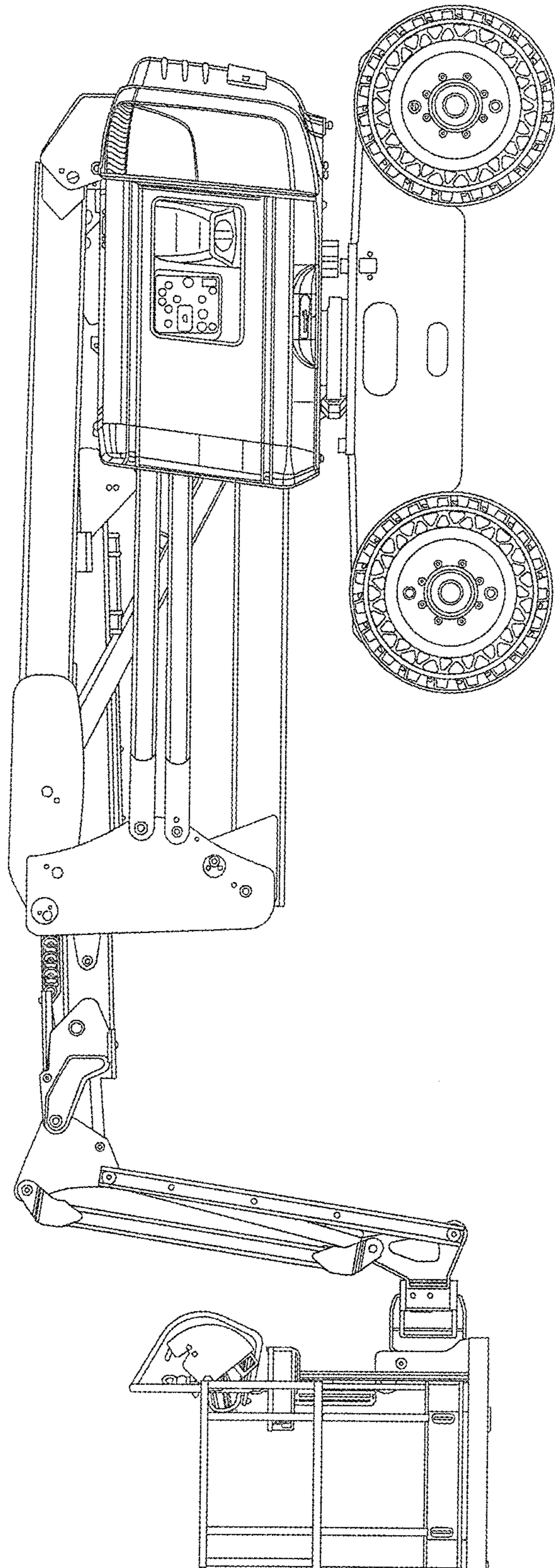


FIG. 5

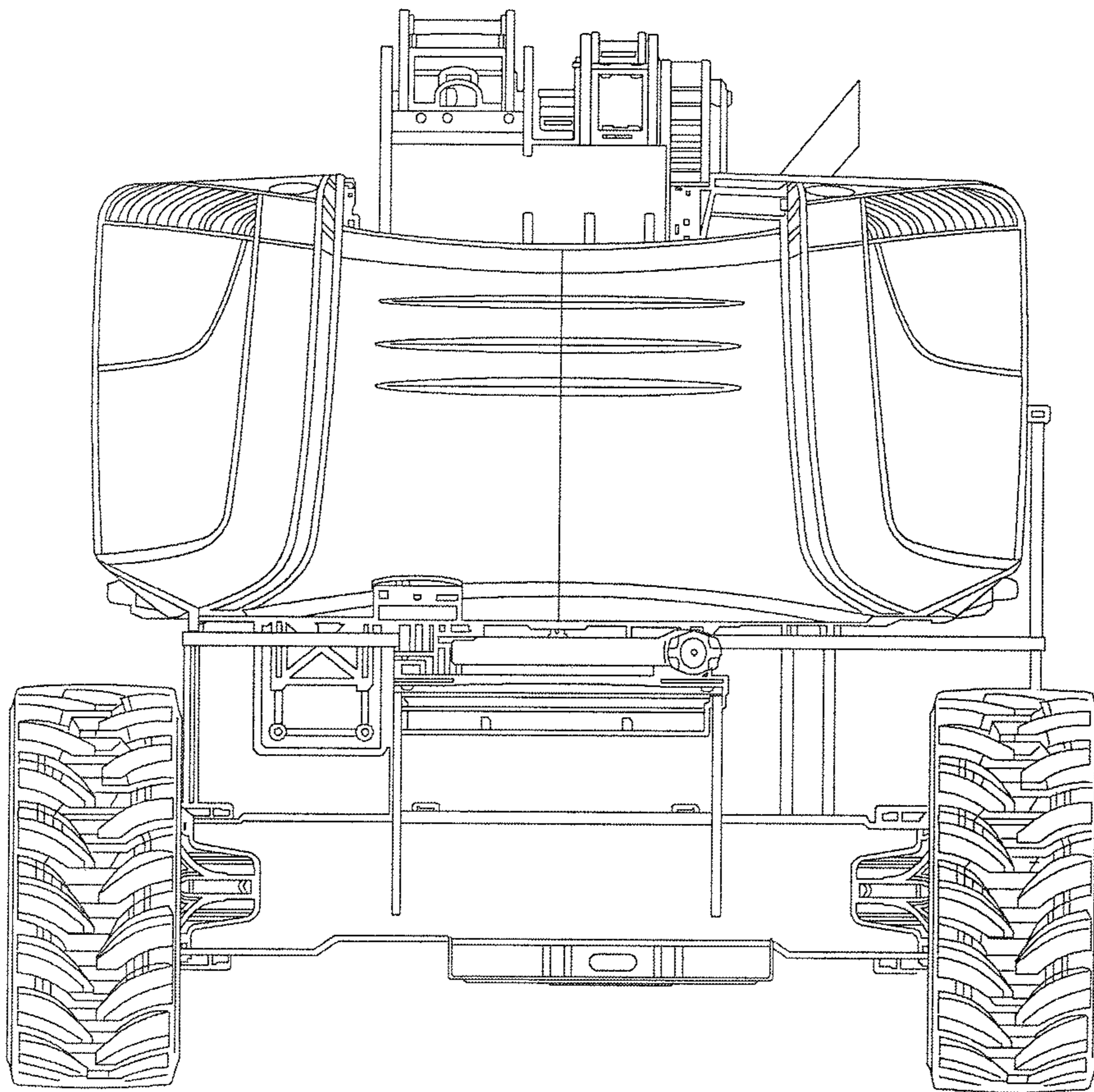


FIG. 6

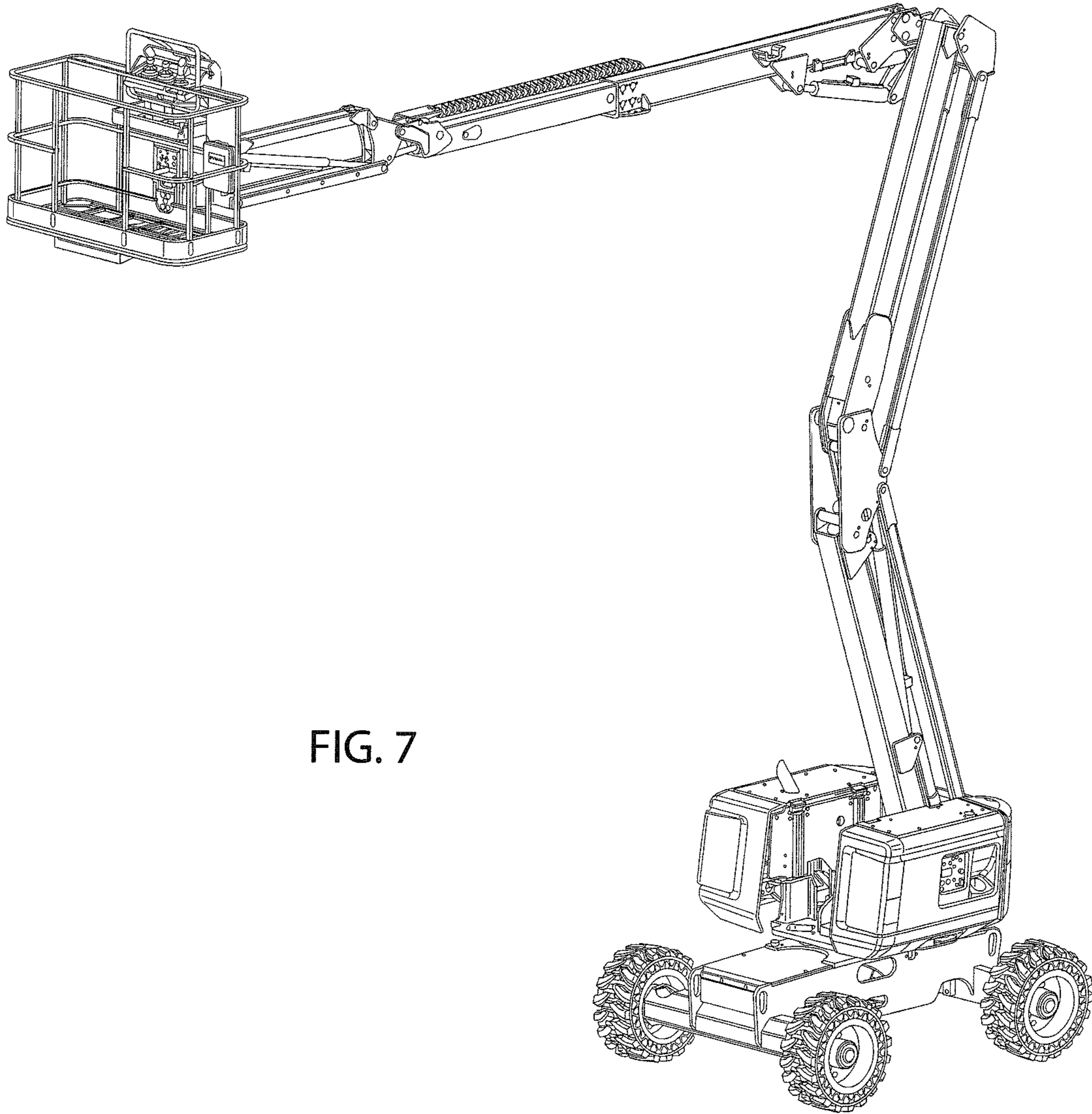


FIG. 7