



US00D773145S

(12) **United States Design Patent**  
**Yang et al.**

(10) **Patent No.:** **US D773,145 S**

(45) **Date of Patent:** **\*\* Nov. 29, 2016**

- (54) **TRASH CAN**
- (71) Applicant: **simplehuman, LLC**, Torrance, CA (US)
- (72) Inventors: **Frank Yang**, Rancho Palos Verdes, CA (US); **Di-Fong Chang**, Torrance, CA (US); **Myk Lum**, Irvine, CA (US); **Adam Wade**, Rancho Santa Margarita, CA (US); **Ken Sugimoto**, Irvine, CA (US)

- 1,891,651 A 12/1932 Padelford et al.
- 1,922,729 A 8/1933 Geibel
- 1,980,938 A 11/1934 Geibel
- 2,308,326 A 1/1943 Calcagno
- D148,825 S 2/1948 Snider
- 2,457,274 A 12/1948 Rifken

(Continued)

**FOREIGN PATENT DOCUMENTS**

- AU 622536 4/1992
- CA 2519295 3/2007

(Continued)

**OTHER PUBLICATIONS**

U.S. Appl. No. 29/484,903, filed Mar. 13, 2014, Yang et al.

(Continued)

- (73) Assignee: **simplehuman, LLC**, Torrance, CA (US)

(\*\*) Term: **15 Years**

(21) Appl. No.: **29/563,650**

(22) Filed: **May 6, 2016**

**Related U.S. Application Data**

- (62) Division of application No. 29/519,549, filed on Mar. 5, 2015.
- (51) **LOC (10) Cl.** ..... **09-09**
- (52) **U.S. Cl.**  
USPC ..... **D34/9**
- (58) **Field of Classification Search**  
USPC ..... D34/1-11; 220/908, 908.1, 262-265, 220/200  
CPC ..... B65F 1/163; B65F 1/062; B65F 1/1623; B65F 1/1646; B65B 43/38  
See application file for complete search history.

(56) **References Cited**

**U.S. PATENT DOCUMENTS**

- 830,182 A 9/1906 Skov
- 1,426,211 A 8/1922 Pausin
- 1,461,253 A 7/1923 Owen
- 1,754,802 A 4/1930 Raster
- 1,820,555 A 8/1931 Buschman

*Primary Examiner* — Cynthia Ramirez  
(74) *Attorney, Agent, or Firm* — Knobbe, Martens, Olson & Bear, LLP

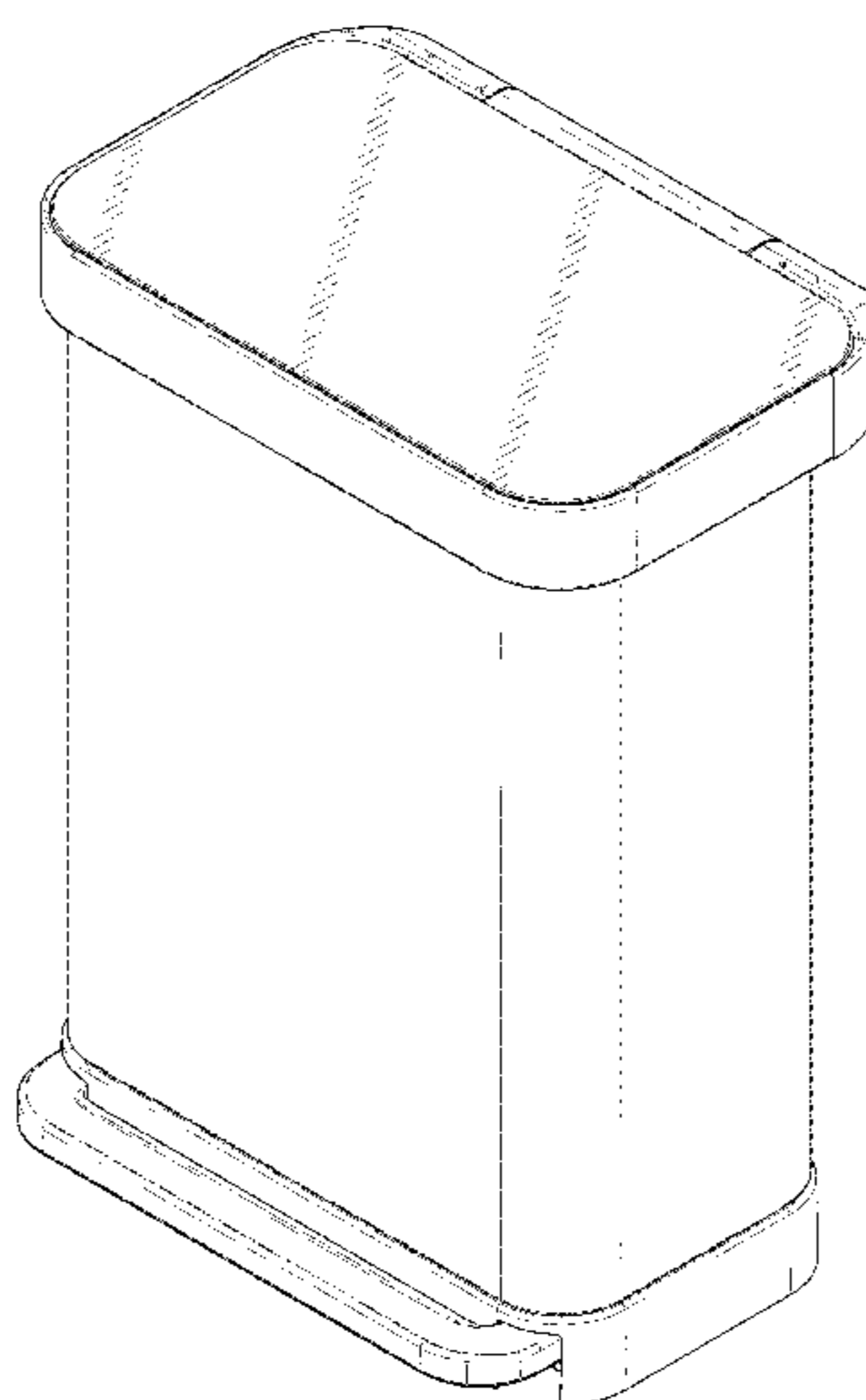
(57) **CLAIM**

The ornamental design for a trash can, as shown and described.

**DESCRIPTION**

FIG. 1 is a top, front, left-side perspective view of a trash can showing our new design;  
FIG. 2 is a top, rear, left-side perspective view thereof;  
FIG. 3 is a front elevation view thereof;  
FIG. 4 is a rear elevation view thereof;  
FIG. 5 is a right-side elevation view thereof;  
FIG. 6 is a left-side elevation view thereof;  
FIG. 7 is a top plan view thereof; and,  
FIG. 8 is a bottom plan view thereof.  
The broken line showing of a trash can is included for the purpose of illustrating portions of the trash can and forms no part of the claimed design.

**1 Claim, 7 Drawing Sheets**



(56)

## References Cited

## U.S. PATENT DOCUMENTS

2,759,625 A	8/1956	Ritter	5,090,585 A	2/1992	Power
2,796,309 A	6/1957	Taylor	5,090,785 A	2/1992	Stamp
2,888,307 A	5/1959	Graves et al.	5,100,087 A	3/1992	Ashby
2,946,474 A	7/1960	Knapp	5,111,958 A	5/1992	Witthoeff
3,008,604 A	11/1961	Garner	D327,760 S	7/1992	Donnelly
3,023,922 A	3/1962	Arrington et al.	D329,929 S	9/1992	Knoedler et al.
3,137,408 A	6/1964	Taylor	5,147,055 A	9/1992	Samson et al.
3,300,082 A	1/1967	Patterson	5,156,290 A	10/1992	Rodrigues
3,392,825 A	7/1968	Gale et al.	5,170,904 A	12/1992	Neuhaus
3,451,453 A	6/1969	Heck	5,174,462 A	12/1992	Hames
3,654,534 A	4/1972	Fischer	D335,562 S	5/1993	Evans
3,800,503 A	4/1974	Maki	5,213,272 A	5/1993	Gallagher et al.
3,820,200 A	6/1974	Myers	5,222,704 A	6/1993	Light
3,825,150 A	7/1974	Taylor	D337,181 S	7/1993	Warman
3,825,215 A	7/1974	Borglum	5,226,558 A	7/1993	Whitney et al.
3,886,425 A	5/1975	Weiss	5,230,525 A	7/1993	Delmerico et al.
3,888,406 A	6/1975	Nippes	5,242,074 A	9/1993	Conaway et al.
3,891,115 A	6/1975	Ono	D340,333 S	10/1993	Duran et al.
4,014,457 A	3/1977	Hodge	5,249,693 A	10/1993	Gillispie et al.
4,027,774 A	6/1977	Cote	5,261,553 A	11/1993	Mueller et al.
4,081,105 A	3/1978	Dagonnet et al.	5,265,511 A	11/1993	Itzov
4,189,808 A	2/1980	Brown	5,295,607 A	3/1994	Chang
4,200,197 A	4/1980	Meyer et al.	5,305,916 A	4/1994	Suzuki et al.
4,217,616 A	8/1980	Jessup	5,314,151 A	5/1994	Carter-Mann
4,303,174 A	12/1981	Anderson	5,322,179 A	6/1994	Ting
4,320,851 A	3/1982	Montoya	5,329,212 A	7/1994	Feigleson
4,349,123 A	9/1982	Yang	5,348,222 A	9/1994	Patey
4,357,740 A	11/1982	Brown	5,353,950 A	10/1994	Taylor et al.
4,416,197 A	11/1983	Kehl	5,372,272 A	12/1994	Jennings
4,417,669 A	11/1983	Knowles et al.	5,381,588 A	1/1995	Nelson
4,457,483 A	7/1984	Gagne	5,385,258 A	1/1995	Sutherlin
4,535,911 A	8/1985	Goulter	5,390,818 A	2/1995	LaBuda
4,570,304 A	2/1986	Montreuil et al.	5,404,621 A	4/1995	Heinke
4,576,310 A	3/1986	Isgar et al.	5,407,089 A	4/1995	Bird et al.
D284,320 S	6/1986	Kubic et al.	5,419,452 A	5/1995	Mueller et al.
4,609,117 A	9/1986	Pamment	5,471,708 A	12/1995	Lynch
4,630,332 A	12/1986	Bisbing	5,474,201 A	12/1995	Liu
4,630,752 A	12/1986	DeMars	5,501,358 A	3/1996	Hobday
4,664,347 A	5/1987	Brown et al.	5,520,067 A	5/1996	Gabas
4,697,312 A	10/1987	Freyer	5,520,303 A	5/1996	Bernstein et al.
4,711,161 A	12/1987	Swin et al.	5,531,348 A	7/1996	Baker et al.
4,729,490 A	3/1988	Ziegenbein	5,535,913 A	7/1996	Asbach et al.
4,753,367 A	6/1988	Miller et al.	5,558,254 A	9/1996	Anderson et al.
4,763,808 A	8/1988	Guhl et al.	5,584,412 A	12/1996	Wang
4,765,548 A	8/1988	Sing	D377,554 S	1/1997	Adriaansen
4,765,579 A	8/1988	Robbins, III et al.	5,611,507 A	3/1997	Smith
4,785,964 A	11/1988	Miller et al.	5,628,424 A	5/1997	Gola
4,792,039 A	12/1988	Dayton	5,632,401 A	5/1997	Hurd
4,794,973 A	1/1989	Perisic	5,636,416 A	6/1997	Anderson
4,813,592 A	3/1989	Stolzman	5,636,761 A	6/1997	Diamond et al.
4,823,979 A	4/1989	Clark, Jr.	5,644,111 A	7/1997	Cerny et al.
4,834,260 A	5/1989	Auten	5,645,186 A	7/1997	Powers et al.
4,863,053 A	9/1989	Oberg	5,650,680 A	7/1997	Chula
4,867,339 A	9/1989	Hahn	D383,277 S	9/1997	Peters
4,869,391 A	9/1989	Farrington	5,662,235 A	9/1997	Nieto
4,884,717 A	12/1989	Bussard et al.	5,671,847 A	9/1997	Pedersen et al.
4,892,223 A	1/1990	DeMent	5,690,247 A	11/1997	Boover
4,892,224 A	1/1990	Graham	5,695,088 A	12/1997	Kasbohm
4,913,308 A	4/1990	Culbertson	5,699,929 A	12/1997	Ouno
4,915,347 A	4/1990	Iqbal et al.	D388,922 S	1/1998	Peters
4,918,568 A	4/1990	Stone et al.	D389,631 S	1/1998	Peters
D308,272 S	5/1990	Koepsell	5,704,511 A	1/1998	Kellams
4,923,087 A	5/1990	Burrows	5,724,837 A	3/1998	Shin
4,944,419 A	7/1990	Chandler	5,730,312 A	3/1998	Hung
4,948,004 A	8/1990	Chich	5,732,845 A	3/1998	Armaly, Jr.
4,964,523 A	10/1990	Bieltvedt et al.	5,735,495 A	4/1998	Kubota
4,972,966 A	11/1990	Craft, Jr.	5,738,239 A	4/1998	Triglia
4,996,467 A	2/1991	Day	5,799,909 A	9/1998	Ziegler
5,031,793 A	7/1991	Chen et al.	5,816,431 A	10/1998	Giannopoulos
5,048,903 A	9/1991	Loblein	5,816,640 A	10/1998	Nishimura
5,054,724 A	10/1991	Hutcheson	D401,383 S	11/1998	Gish
5,065,272 A	11/1991	Owen et al.	D401,719 S	11/1998	Van Leeuwen et al.
5,065,891 A	11/1991	Casey	5,873,643 A	2/1999	Burgess, Jr. et al.
5,076,462 A	12/1991	Perrone	5,881,896 A	3/1999	Presnell et al.
D323,573 S	1/1992	Schneider	5,881,901 A	3/1999	Hampton
			5,884,237 A	3/1999	Kanki et al.
			5,887,748 A	3/1999	Nguyen
			5,961,105 A	10/1999	Ehrnsberger et al.
			5,967,392 A	10/1999	Niemi et al.



(56)

## References Cited

## U.S. PATENT DOCUMENTS

5,987,708	A	11/1999	Newton	7,168,591	B1	1/2007	Miller
6,000,569	A	12/1999	Liu	D537,223	S	2/2007	Lin
6,010,024	A	1/2000	Wang	D537,599	S	2/2007	Lin
6,024,238	A	2/2000	Jaros	D537,601	S	2/2007	Lin
6,036,050	A	3/2000	Ruane	D537,999	S	3/2007	Lin
6,102,239	A	8/2000	Wien	D538,995	S	3/2007	Lin
6,105,859	A	8/2000	Stafford	D539,498	S	3/2007	Yang et al.
6,123,215	A	9/2000	Windle	D539,499	S	3/2007	Yang et al.
D431,700	S	10/2000	Roudebush	D540,001	S	4/2007	Zimmerman
6,126,031	A	10/2000	Reason	D542,001	S	5/2007	Yang et al.
6,129,233	A	10/2000	Schiller	D542,995	S	5/2007	Lin
6,131,861	A	10/2000	Fortier, Jr. et al.	D543,673	S	5/2007	Yang et al.
D435,951	S	1/2001	Yang et al.	D544,170	S	6/2007	Lin
6,209,744	B1	4/2001	Gill	D544,171	S	6/2007	Lin
6,211,637	B1	4/2001	Studer	D544,671	S	6/2007	Saunders et al.
6,234,339	B1	5/2001	Thomas	D545,024	S	6/2007	Liao
6,250,492	B1	6/2001	Verbeek	7,225,943	B2	6/2007	Yang et al.
D445,980	S	7/2001	Tjugum	D547,020	S	7/2007	Chen
6,286,706	B1	9/2001	Tucker	7,243,811	B1	7/2007	Ramsey et al.
6,328,320	B1	12/2001	Walski et al.	D550,918	S	9/2007	Wang et al.
6,345,725	B1	2/2002	Lin	D552,319	S	10/2007	Gusdorf
6,364,147	B1	4/2002	Meinzinger et al.	D552,321	S	10/2007	Yang et al.
6,386,386	B1	5/2002	George	D552,823	S	10/2007	Yang et al.
6,390,321	B1	5/2002	Wang	D552,824	S	10/2007	Zimmerman
6,401,958	B1	6/2002	Foss et al.	D552,825	S	10/2007	Yang et al.
6,519,130	B1	2/2003	Breslow	D555,320	S	11/2007	Yang et al.
6,557,716	B1	5/2003	Chan	D559,494	S	1/2008	Yang et al.
D476,456	S	6/2003	Englert et al.	D559,495	S	1/2008	Yang et al.
6,596,983	B2	7/2003	Brent	D562,522	S	2/2008	Daams
6,626,316	B2	9/2003	Yang	7,328,842	B2	2/2008	Wagner et al.
6,626,317	B2	9/2003	Pfiefer et al.	D564,169	S	3/2008	Wang
6,632,064	B1	10/2003	Walker et al.	D564,723	S	3/2008	Yang et al.
D482,169	S	11/2003	Lin	D566,367	S	4/2008	Lin
6,659,407	B2	12/2003	Asaro	D566,369	S	4/2008	Shek
6,681,950	B2	1/2004	Miller, Jr. et al.	D566,923	S	4/2008	Lin
D488,604	S	4/2004	Yang et al.	D567,468	S	4/2008	Yang et al.
D488,903	S	4/2004	Yang et al.	D568,572	S	5/2008	Yang et al.
D489,503	S	5/2004	Lin	7,374,060	B2	5/2008	Yang et al.
D489,857	S	5/2004	Yang et al.	D571,520	S	6/2008	Lin
D490,583	S	5/2004	Yang et al.	7,395,990	B1	7/2008	Stevens
D490,954	S	6/2004	Brand	7,398,913	B2	7/2008	McClure
D491,706	S	6/2004	Yang et al.	7,404,499	B1	7/2008	Ramsey
6,758,366	B2	7/2004	Bourgund et al.	D574,569	S	8/2008	Yang et al.
D493,930	S	8/2004	Wang	D576,371	S	9/2008	Zimmerman
D494,723	S	8/2004	Lin	D578,265	S	10/2008	Presnell
6,812,655	B1	11/2004	Wang et al.	D578,266	S	10/2008	Yang et al.
6,814,249	B2	11/2004	Lin	D578,268	S	10/2008	Yang et al.
D499,450	S	12/2004	Goodman et al.	D578,722	S	10/2008	Yang et al.
6,837,393	B1	1/2005	Kuo	7,438,199	B1	10/2008	Tidrick
6,857,538	B2	2/2005	Lin	D580,120	S	11/2008	Lin
6,859,005	B2	2/2005	Boliver	D580,613	S	11/2008	Yang et al.
D503,021	S	3/2005	Yang et al.	D580,615	S	11/2008	Yang et al.
6,866,826	B2	3/2005	Moore et al.	D581,622	S	11/2008	Presnell et al.
6,883,676	B2	4/2005	Lin	D584,470	S	1/2009	Bizzell et al.
D507,090	S	7/2005	Yang et al.	D585,171	S	1/2009	Bizzell et al.
6,920,994	B2	7/2005	Lin	D585,618	S	1/2009	Yang et al.
6,974,948	B1	12/2005	Brent	D586,070	S	2/2009	Lin
D513,445	S	1/2006	Lin	7,494,021	B2	2/2009	Yang et al.
6,981,606	B2	1/2006	Yang et al.	D587,874	S	3/2009	Lin
D517,764	S	3/2006	Wang	D593,271	S	5/2009	Yang et al.
D517,767	S	3/2006	Yang et al.	7,540,396	B2	6/2009	Yang et al.
D518,266	S	3/2006	Yang et al.	7,543,716	B2	6/2009	Lin
7,017,773	B2	3/2006	Gruber et al.	7,559,433	B2	7/2009	Yang et al.
7,044,323	B2	5/2006	Yang	D599,074	S	8/2009	Bizzell et al.
D525,756	S	7/2006	Yang et al.	D603,119	S	10/2009	Yang et al.
7,073,677	B2	7/2006	Richardson et al.	7,607,552	B2	10/2009	Efstathiou
7,077,283	B2	7/2006	Yang et al.	D604,472	S	11/2009	Blanks et al.
7,080,750	B2	7/2006	Wein et al.	7,614,519	B2	11/2009	Krauth et al.
7,086,550	B2	8/2006	Yang et al.	7,621,420	B2	11/2009	Bandoh et al.
D528,726	S	9/2006	Lin	7,656,109	B2	2/2010	Yang et al.
7,121,421	B2	10/2006	Yang et al.	D611,216	S	3/2010	Yang et al.
D531,499	S	11/2006	Zaidman	D611,217	S	3/2010	Bizzell et al.
D535,799	S	1/2007	Epps	D611,671	S	3/2010	Yang et al.
D535,800	S	1/2007	Yang et al.	7,694,838	B2	4/2010	Yang et al.
7,163,591	B2	1/2007	Kim et al.	7,703,622	B1	4/2010	Bynoe
				D615,270	S	5/2010	Yang et al.
				D615,722	S	5/2010	Yang et al.
				7,712,285	B2	5/2010	Stravitz et al.
				7,741,801	B2	6/2010	Fukuizumi



(56)

## References Cited

## U.S. PATENT DOCUMENTS

7,748,556	B2	7/2010	Yang et al.	2004/0206758	A1	10/2004	Lin
7,781,995	B2	8/2010	Yang et al.	2004/0206760	A1	10/2004	Gagnebin
D623,817	S	9/2010	Yang et al.	2004/0251746	A1	12/2004	Ichimaru et al.
D625,068	S	10/2010	Shannon	2005/0017006	A1	1/2005	Kuo
7,806,285	B2	10/2010	Yang et al.	2005/0017010	A1	1/2005	Siegel et al.
D627,533	S	11/2010	Yang et al.	2005/0029281	A1	2/2005	Westermann et al.
D627,944	S	11/2010	Wang et al.	2005/0258177	A1	11/2005	Woodson
D629,172	S	12/2010	Liao	2005/0258794	A1	11/2005	Fukuizumi
D630,404	S	1/2011	Yang et al.	2006/0027579	A1	2/2006	Yang et al.
D631,221	S	1/2011	Yang et al.	2006/0103086	A1	5/2006	Niemeyer et al.
D632,864	S	2/2011	Yang et al.	2006/0138149	A1	6/2006	Tracy
D634,911	S	3/2011	Yang et al.	2006/0163257	A1	7/2006	Golbert
D635,319	S	3/2011	Meyerhoffer	2006/0175336	A1	8/2006	Wang
7,896,187	B2	3/2011	Haibel	2006/0186121	A1	8/2006	Yang et al.
7,922,024	B2	4/2011	Yang et al.	2006/0196874	A1	9/2006	Yang
7,950,543	B2	5/2011	Yang et al.	2006/0237641	A1	10/2006	Moeller et al.
D644,390	S	8/2011	Smeets et al.	2006/0249510	A1	11/2006	Lin
7,992,742	B1	8/2011	Kim	2006/0278643	A1	12/2006	Chiou
8,006,857	B2	8/2011	Lin	2007/0012699	A1	1/2007	Yang et al.
D644,806	S	9/2011	Yang et al.	2007/0034334	A1	2/2007	Ramsey et al.
D644,807	S	9/2011	Yang et al.	2007/0045326	A1	3/2007	Tramontina et al.
D649,728	S	11/2011	Campbell	2007/0090112	A1	4/2007	Kalman et al.
8,074,833	B2	12/2011	Yang et al.	2007/0114847	A1	5/2007	Ichimaru et al.
8,096,445	B2	1/2012	Yang et al.	2007/0181579	A1	8/2007	Kuo et al.
8,136,688	B2	3/2012	Lee et al.	2007/0209846	A1	9/2007	Wilson
D657,108	S	4/2012	Yang et al.	2007/0215622	A1	9/2007	Perez
D657,109	S	4/2012	Liao	2007/0241109	A1	10/2007	Lin
8,297,470	B2	10/2012	Yang et al.	2007/0266637	A1	11/2007	McGowan
8,317,055	B2	11/2012	Zawrotny et al.	2007/0272691	A1	11/2007	Wang et al.
D672,520	S	12/2012	Yang et al.	2007/0289972	A1	12/2007	Wynn et al.
D673,750	S	1/2013	Quan	2008/0011754	A1	1/2008	Ramsey
D675,802	S	2/2013	Yang et al.	2008/0011910	A1	1/2008	Ramsey
D675,803	S	2/2013	Yang et al.	2008/0041863	A1	2/2008	Forest
8,418,869	B2	4/2013	Yang et al.	2008/0083756	A1	4/2008	Daniels
D689,255	S	9/2013	Sun Ting Kung et al.	2008/0083757	A1	4/2008	Parker et al.
8,567,630	B2	10/2013	Yang et al.	2008/0099274	A1	5/2008	Seel
8,569,980	B2	10/2013	Yang et al.	2008/0128428	A1	6/2008	Beckerman
8,575,537	B2	11/2013	Yao et al.	2008/0164257	A1	7/2008	Boll et al.
8,672,171	B2	3/2014	Wynn et al.	2008/0236275	A1	10/2008	Breed et al.
8,678,219	B1	3/2014	Wang et al.	2008/0257889	A1	10/2008	Kovacevich et al.
8,686,676	B2	4/2014	Yang et al.	2008/0257890	A1	10/2008	Kovacevich et al.
8,716,969	B2	5/2014	Yang et al.	2008/0257891	A1	10/2008	Kovacevich et al.
8,720,969	B2	5/2014	Young	2008/0264948	A1	10/2008	Kovacevich et al.
8,766,582	B2	7/2014	Yang et al.	2008/0264950	A1	10/2008	Kovacevich et al.
8,807,378	B2	8/2014	Kaberna	2008/0272119	A1	11/2008	Efstathiou
8,807,379	B1	8/2014	Hammond	2008/0272127	A1	11/2008	Kovacevich et al.
D714,510	S	9/2014	Yang et al.	2009/0084788	A1	4/2009	Yang et al.
D716,015	S	10/2014	van de Leest	2009/0136341	A1	5/2009	Kenyon
8,851,316	B2	10/2014	Barrett et al.	2009/0230131	A1	9/2009	McDuffie et al.
8,872,459	B2	10/2014	Yang et al.	2009/0261105	A1	10/2009	Cunningham et al.
D725,861	S	3/2015	Yang et al.	2009/0266836	A1	10/2009	Mobley
D730,008	S	5/2015	Yang et al.	2010/0006572	A1	1/2010	Chiou
9,051,093	B2	6/2015	Yang et al.	2010/0084235	A1	4/2010	Lu
D759,934	S	6/2016	Yang et al.	2010/0096894	A1	4/2010	Fukai
2001/0002690	A1	6/2001	Rosky	2010/0122985	A1	5/2010	Peters et al.
2001/0020619	A1	9/2001	Pfeifer et al.	2010/0147865	A1	6/2010	Yang et al.
2002/0066736	A1	6/2002	Pyles	2010/0170904	A1	7/2010	Kalman et al.
2002/0092853	A1	7/2002	Wang	2010/0237074	A1	9/2010	Yang et al.
2002/0096523	A1	7/2002	Pyles	2010/0252557	A1	10/2010	Clements
2002/0096524	A1	7/2002	Hardesty	2010/0294769	A1	11/2010	Lee et al.
2002/0104266	A1	8/2002	Ranaudo	2011/0017735	A1	1/2011	Wang et al.
2002/0116924	A1	8/2002	Winkelmann et al.	2011/0049149	A1	3/2011	Shih
2003/0089719	A1	5/2003	Berger	2011/0139781	A1	6/2011	Jin et al.
2003/0102316	A1	6/2003	Forest	2011/0220655	A1	9/2011	Yang et al.
2003/0201265	A1	10/2003	Lin	2011/0272409	A1	11/2011	Kasbohm
2003/0205979	A1	11/2003	Papari et al.	2012/0234849	A1	9/2012	Hughes et al.
2003/0230576	A1	12/2003	Lin	2012/0261423	A1	10/2012	Zawrotny et al.
2004/0016756	A1	1/2004	Lin	2013/0098913	A1	4/2013	Yang et al.
2004/0134924	A1	7/2004	Hansen et al.	2013/0105487	A1	5/2013	Baik
2004/0140782	A1	7/2004	Okabe et al.	2013/0233857	A1	9/2013	Yang et al.
2004/0164077	A1	8/2004	Kuo	2013/0240592	A1	9/2013	Woodruff
2004/0174268	A1	9/2004	Scott et al.	2013/0248532	A1	9/2013	Yang et al.
2004/0175303	A1	9/2004	Lin	2013/0248535	A1	9/2013	Wolfe et al.
2004/0199401	A1	10/2004	Wagner	2013/0300119	A1	11/2013	Anzalon et al.
2004/0200938	A1	10/2004	Forlivio	2014/0183193	A1	7/2014	Hammond et al.
				2014/0246434	A1	9/2014	Yang et al.
				2014/0345453	A1	11/2014	Oh et al.
				2015/0251849	A1	9/2015	Yang et al.

(56)

References Cited

U.S. PATENT DOCUMENTS

2015/0259139 A1 9/2015 Yang et al.  
 2015/0259140 A1 9/2015 Yang et al.  
 2015/0321841 A1 11/2015 Salas et al.

FOREIGN PATENT DOCUMENTS

DE 1610087 7/1950  
 DE 822376 11/1951  
 DE 1283741 7/1966  
 DE 8436939 3/1985  
 DE 9108341 10/1991  
 DE 4225936 2/1994  
 DE 19525885 3/1997  
 DE 19617823 11/1997  
 DE 19809331 5/1999  
 DE 29918687 3/2000  
 DE 19933180 1/2001  
 DE 10148997 4/2003  
 DE 20217561 3/2004  
 EP 0582240 7/1993  
 EP 0903305 A1 3/1999  
 EP 0906876 A2 4/1999  
 EP 1094017 A1 4/2001  
 EP 1361176 A1 11/2003  
 EP 1136393 B1 4/2004  
 EP 1447342 A2 8/2004  
 EP 1600373 A2 11/2005  
 EP 1647503 A1 4/2006  
 EP 1686073 A1 8/2006  
 EP 1918223 A1 5/2008  
 FR 2887152 12/2006  
 GB 191004921 6/1910  
 GB 2384418 7/2003  
 JP 02-152670 6/1990  
 JP H06-56011 8/1994  
 JP 06-272888 9/1994  
 JP D1300450 5/2007  
 JP D1300451 5/2007  
 JP D1322056 2/2008

JP D1398668 10/2010  
 JP D1550907 4/2016  
 JP D1551184 4/2016  
 KR 3003841370000 6/2005  
 KR 3004095430000 3/2006  
 KR 3004095430001 7/2006  
 NL 6908550 12/1970  
 TW D112733 9/2006  
 WO WO 92/02430 A1 2/1992  
 WO WO 96/33671 10/1996  
 WO WO 2005/080232 A1 9/2005  
 WO WO 2006/079263 A1 8/2006  
 WO WO 2009/114495 A1 9/2009  
 WO WO 2015/134902 A1 9/2015  
 WO WO 2015/138625 A1 9/2015  
 WO WO 2016/054109 A1 4/2016

OTHER PUBLICATIONS

U.S. Appl. No. 29/519,549, filed Mar. 5, 2015, Yang et al.  
 U.S. Appl. No. 14/856,309, filed Sep. 26, 2015, Yang et al.  
 U.S. Appl. No. 29/548,018, filed Dec. 9, 2015, Yang et al.  
 U.S. Appl. No. 29/557,032, filed Mar. 4, 2016, Yang et al.  
 U.S. Appl. No. 29/557,088, filed Mar. 4, 2016, Yang et al.  
 Trento Corner 23 Trash Can, Hailo product webpage, May 2008, [http://www.hailo.de/html/default.asp?site=12\\_71\\_107&lang=en](http://www.hailo.de/html/default.asp?site=12_71_107&lang=en).  
 Search Report for Taiwanese Application No. 103305380, date of research May 12, 2015, in 4 pages.  
 Office Action for Australian Application No. 201514705, dated Sep. 23, 2015, in 2 pages.  
 Office Action for Canadian Application No. 164265, dated Dec. 15, 2015, in 2 pages.  
 Search Report for Taiwanese Application No. 104304908, dated Feb. 15, 2016, in 2 pages.  
 Search Report for Taiwanese Application No. 104304907, dated Feb. 15, 2016, in 2 pages.  
 Office Action for Canadian Application No. 164264, dated Dec. 15, 2015, in 1 pages.  
 Office Action for Canadian Application No. 164264, dated Apr. 6, 2016, in 11 pages.  
 Office Action for European Application No. 002766881-0001, dated Sep. 14, 2015, in 2 pages.



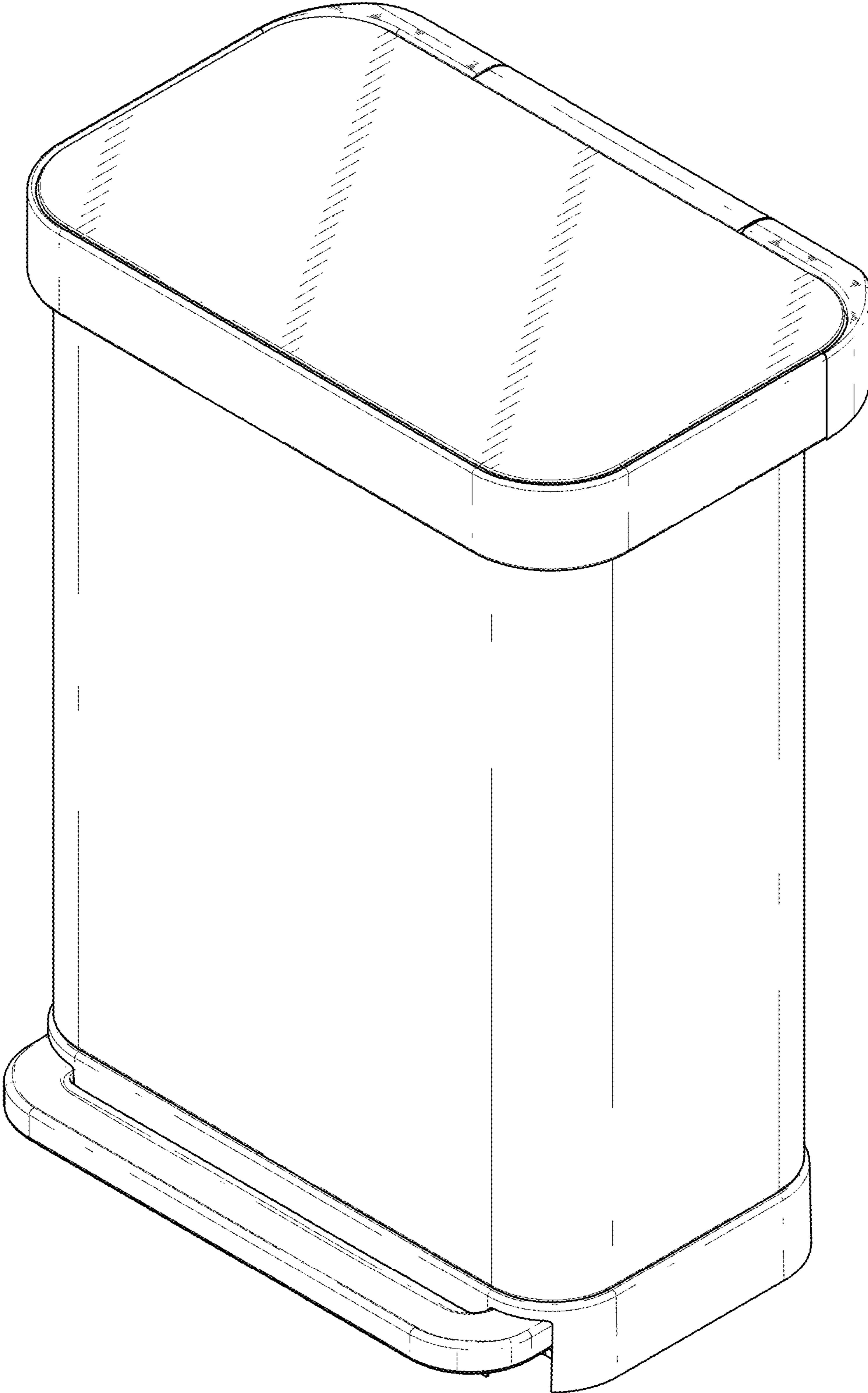


FIG. 1

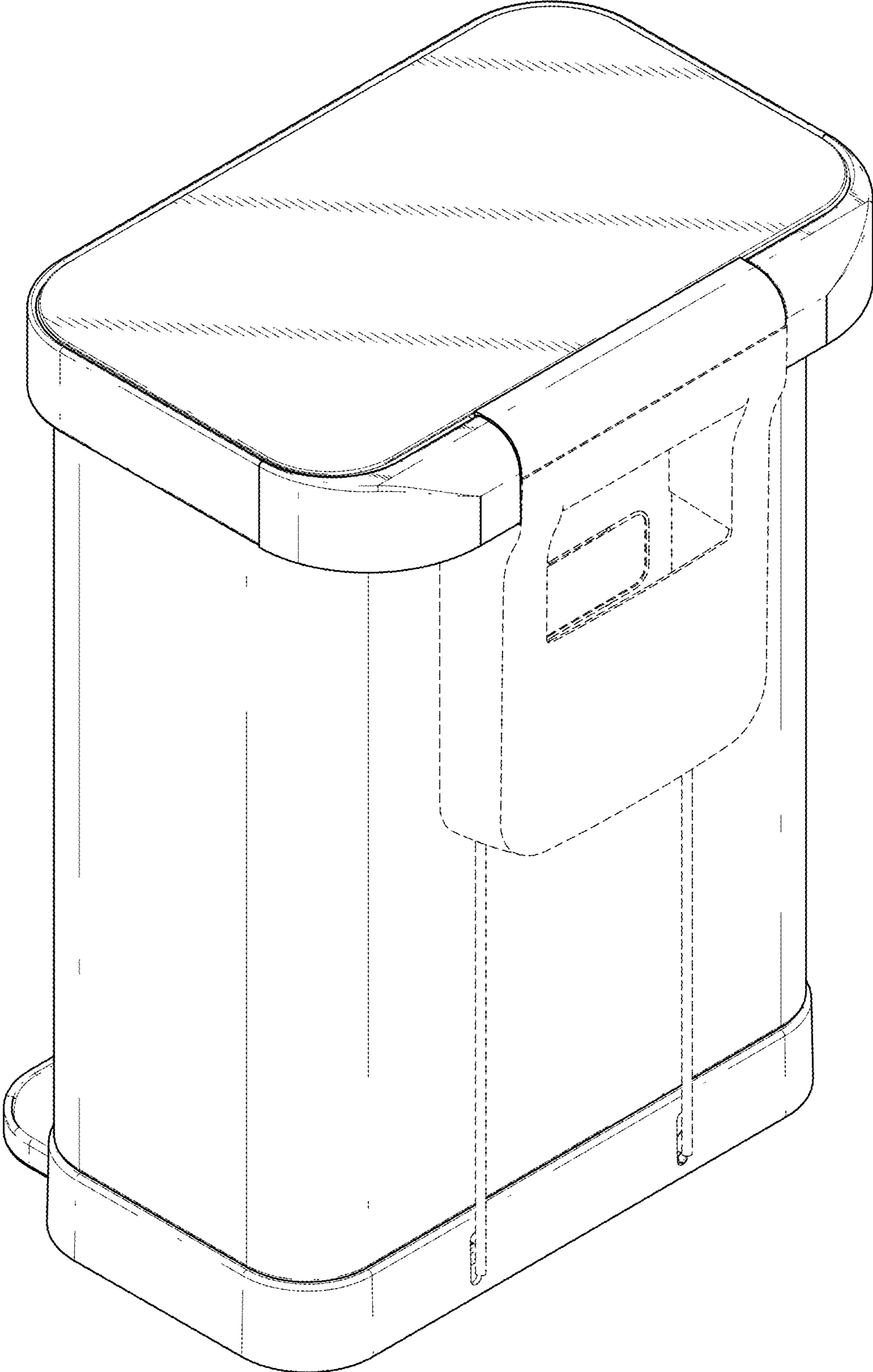


FIG. 2

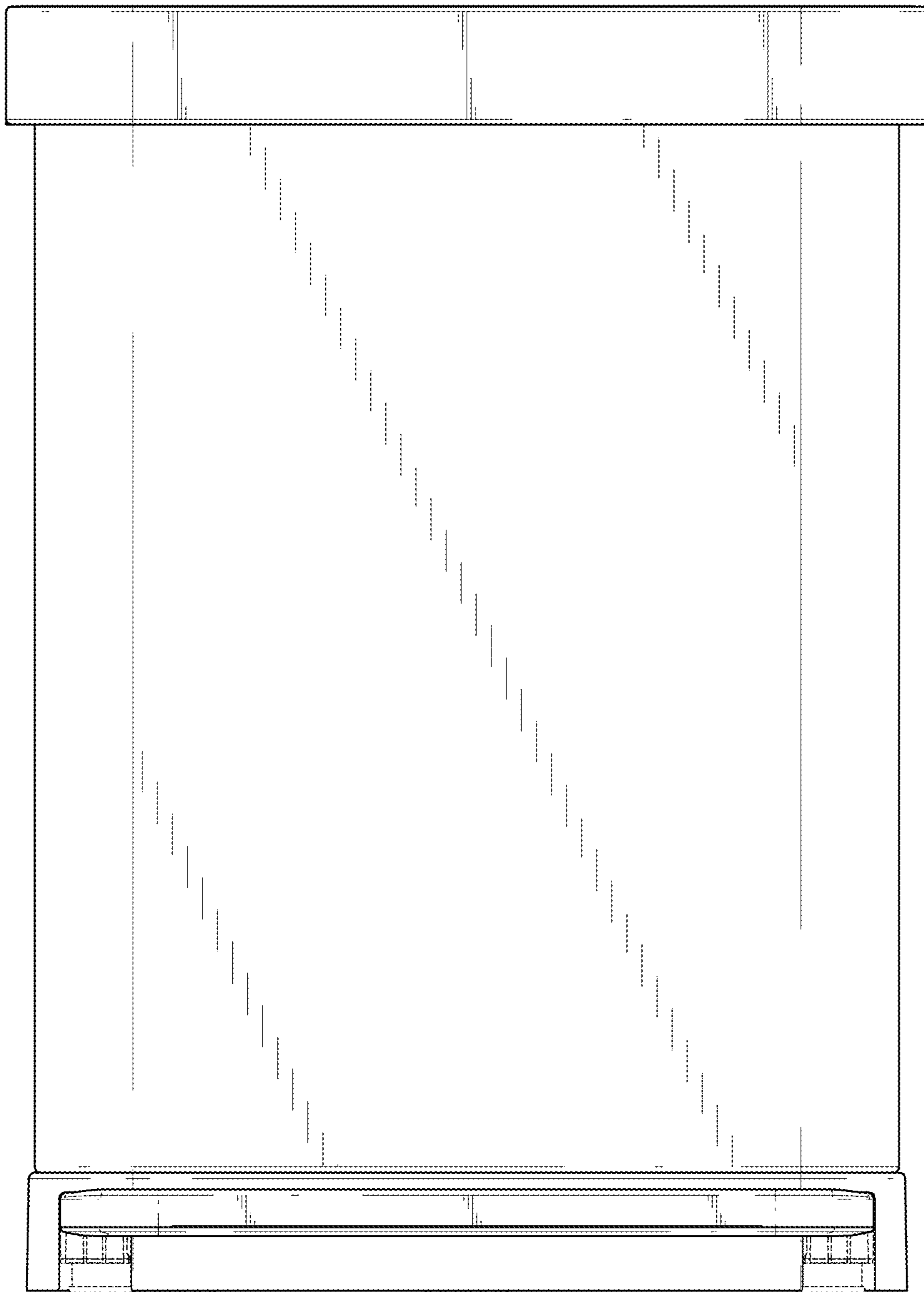


FIG. 3



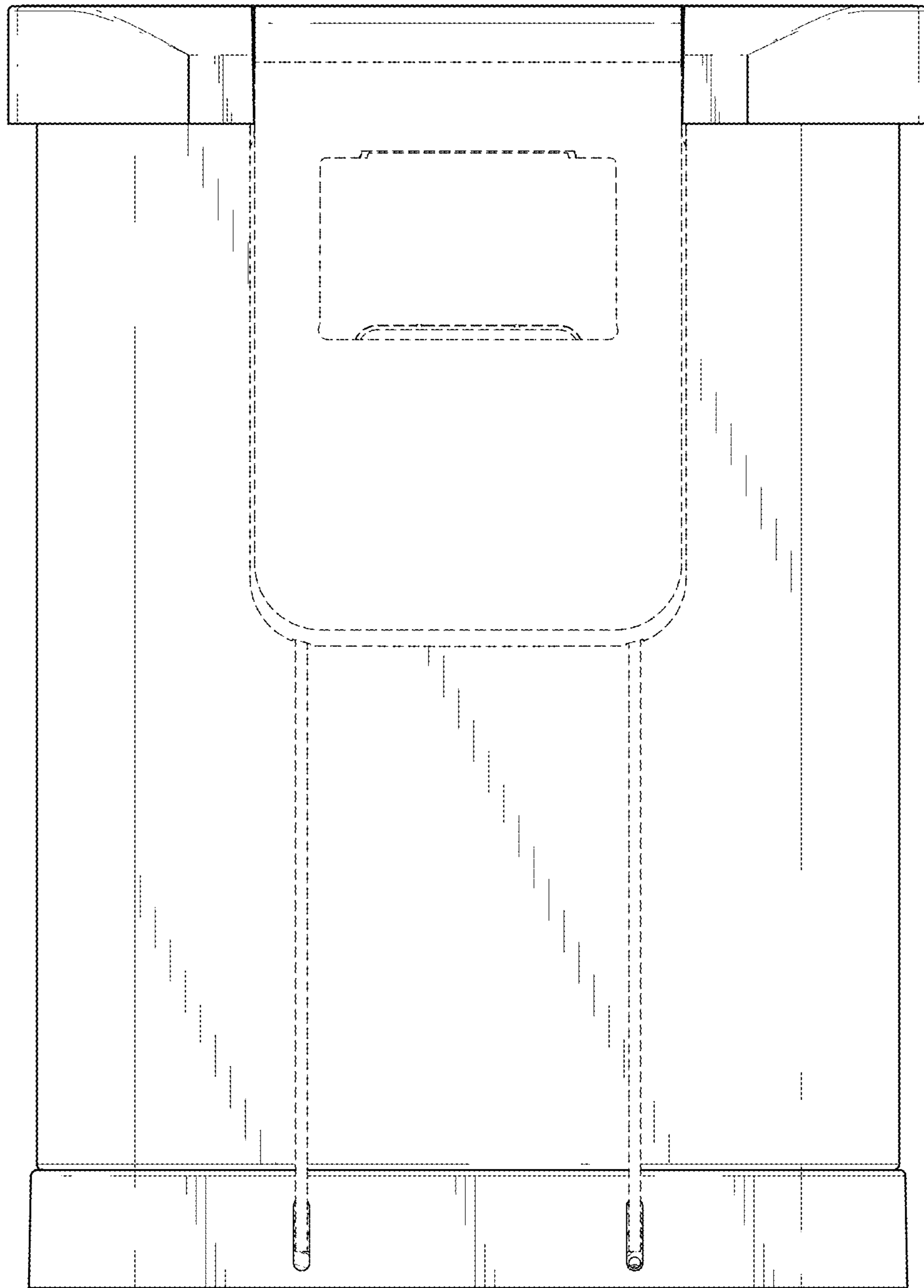


FIG. 4

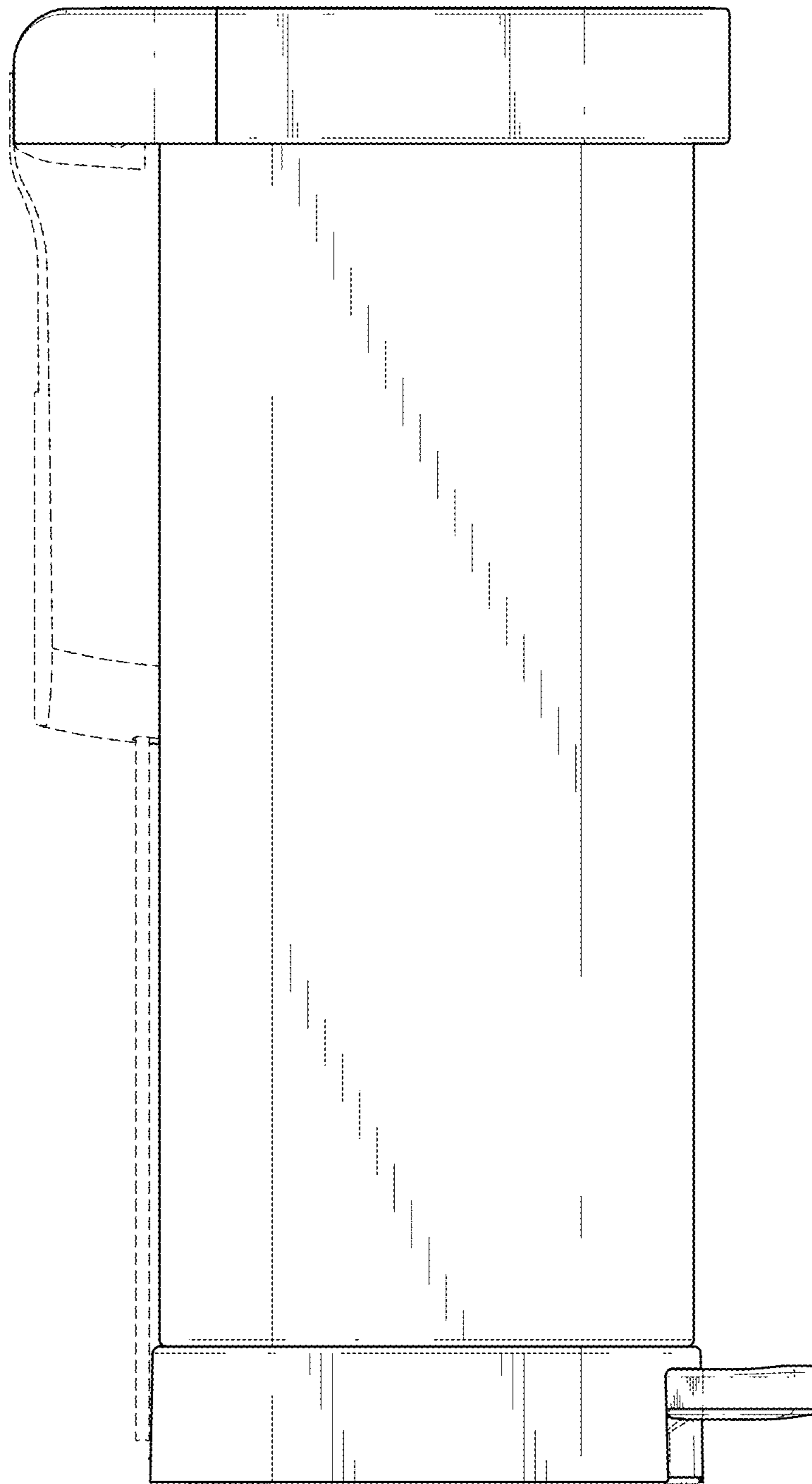


FIG. 5



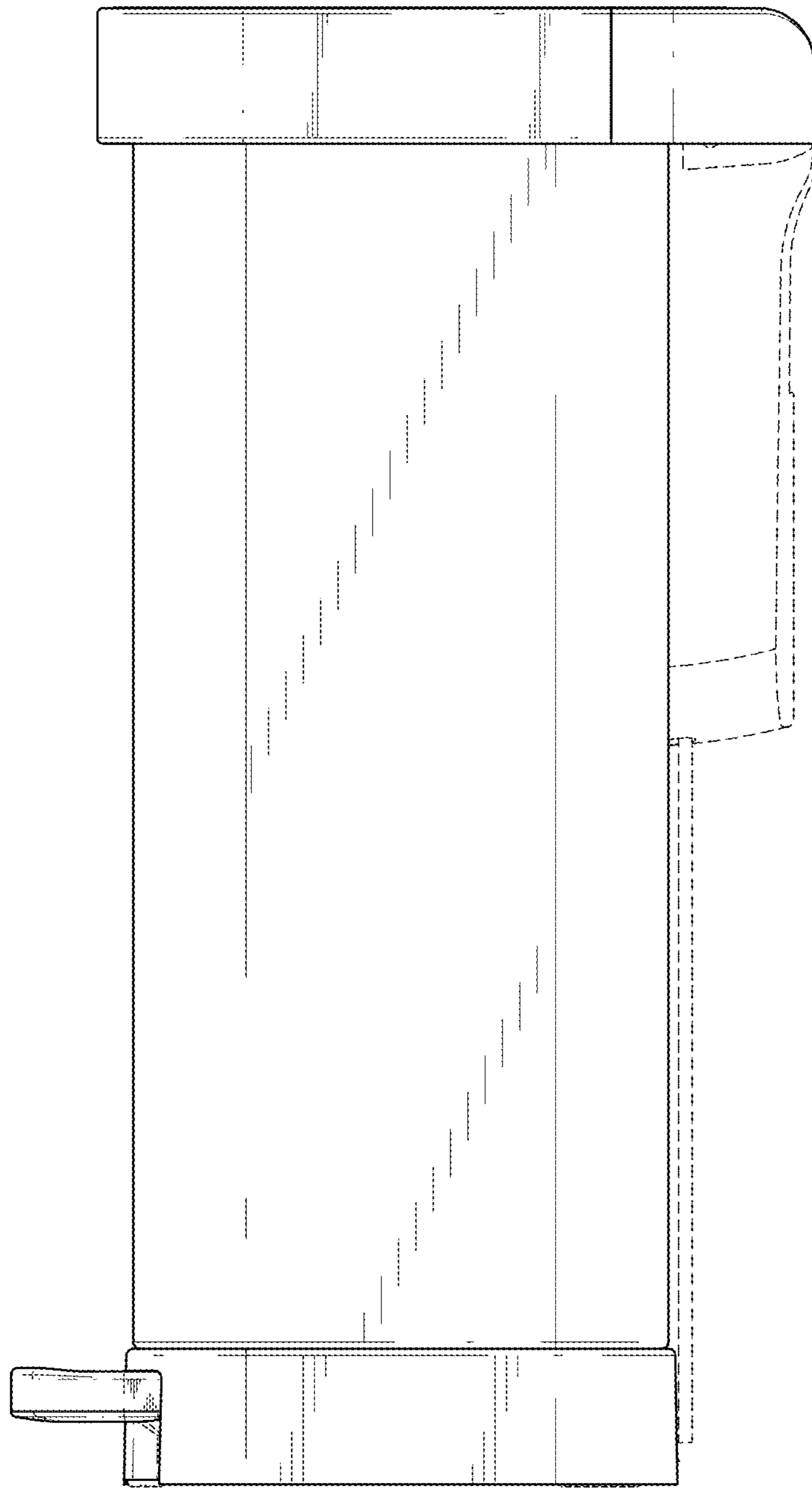


FIG. 6

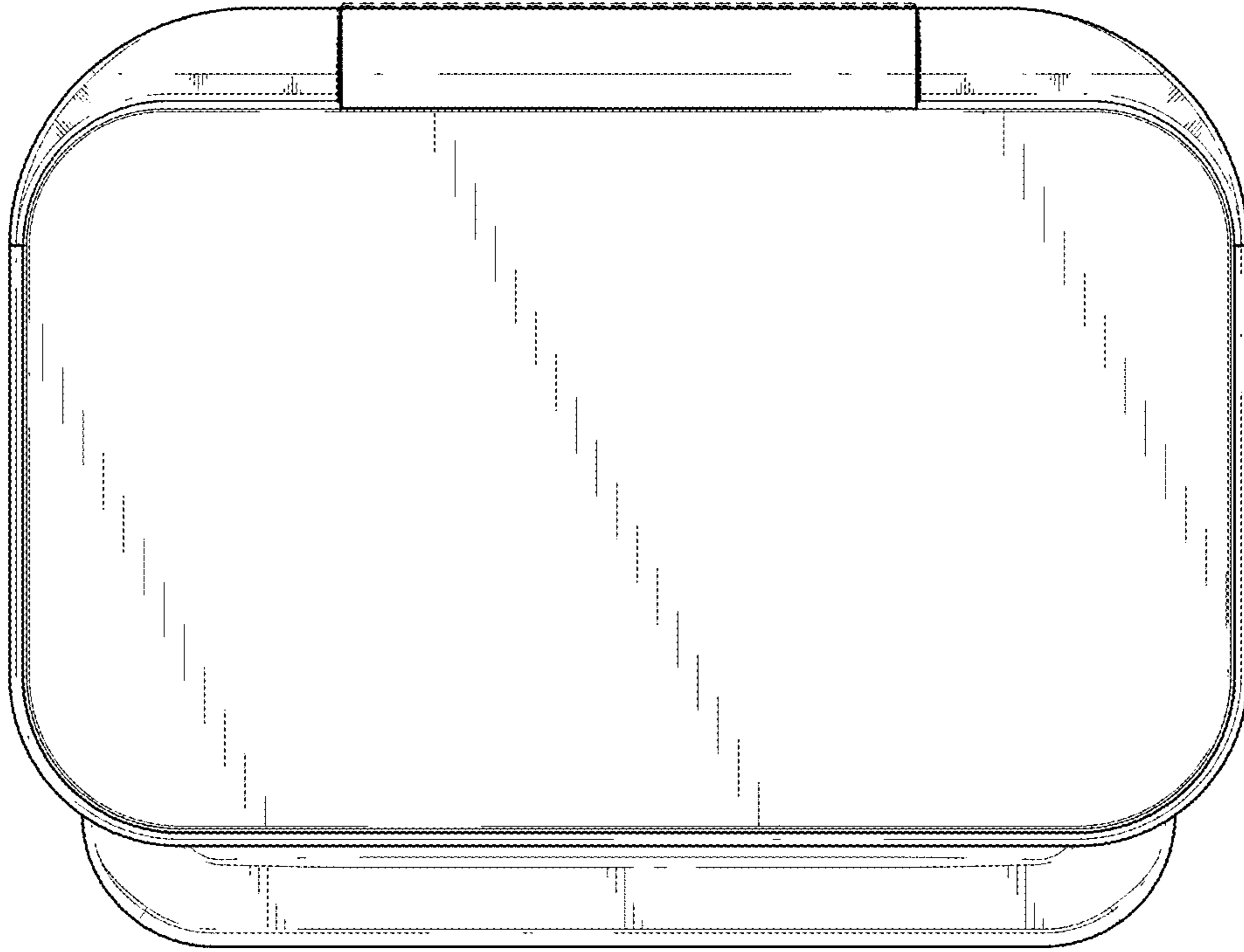


FIG. 7

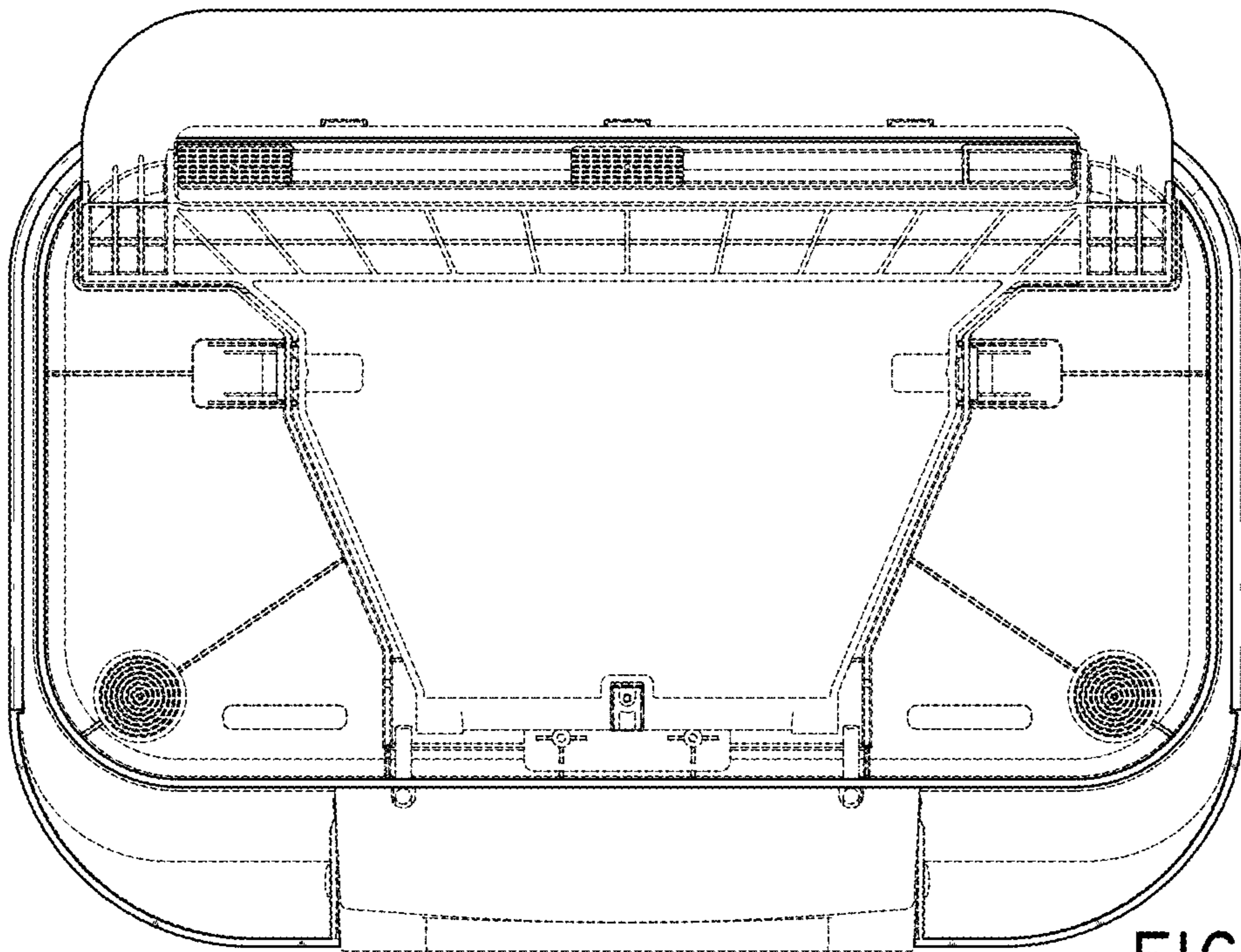


FIG. 8